



US00D587337S

(12) **United States Design Patent**
Loftis

(10) **Patent No.:** **US D587,337 S**

(45) **Date of Patent:** **** Feb. 24, 2009**

(54) **FISHING LINE EXCHANGE APPARATUS**

(76) **Inventor:** **Gary Scott Loftis**, P.O. Box 193,
Brewton, AL (US) 36427

(**) **Term:** **14 Years**

(21) **Appl. No.:** **29/303,240**

(22) **Filed:** **Feb. 4, 2008**

(51) **LOC (9) Cl.** **22-05**

(52) **U.S. Cl.** **D22/134**

(58) **Field of Classification Search** D22/134,
D22/199; 43/25; 242/129.8, 129.6, 423.2,
242/597.8, 597.1, 423.1, 902, 598.5

See application file for complete search history.

(56) **References Cited**

U.S. PATENT DOCUMENTS

3,026,059	A	3/1962	Dennler	
3,951,354	A	4/1976	Bagby	
4,007,886	A	2/1977	Kaminstein	
4,151,966	A	5/1979	Lindsay	
4,426,835	A *	1/1984	Ito	242/129.6
4,795,107	A	1/1989	Williams	
5,218,779	A	6/1993	Morgan et al.	
5,551,645	A *	9/1996	Torvund	242/902
D376,190	S	12/1996	Van Horn, Jr. et al.	
5,709,350	A *	1/1998	Davis et al.	242/902
6,015,111	A *	1/2000	Berke	242/902
6,609,673	B1 *	8/2003	Johnson	242/423.1

* cited by examiner

Primary Examiner—Catherine R Oliver

(74) *Attorney, Agent, or Firm*—Kenneth M. Bush; Bush Intellectual Property Law

(57) **CLAIM**

The ornamental design for a fishing line exchange apparatus, as shown and described.

DESCRIPTION

FIG. 1 is a front left perspective view of a fishing line exchange apparatus showing my new design;

FIG. 2 is a front right perspective view thereof;

FIG. 3 is a front elevational view thereof;

FIG. 4 is a rear elevational view thereof;

FIG. 5 is a left side elevational view thereof;

FIG. 6 is a right side elevational view thereof;

FIG. 7 is a top plan view thereof;

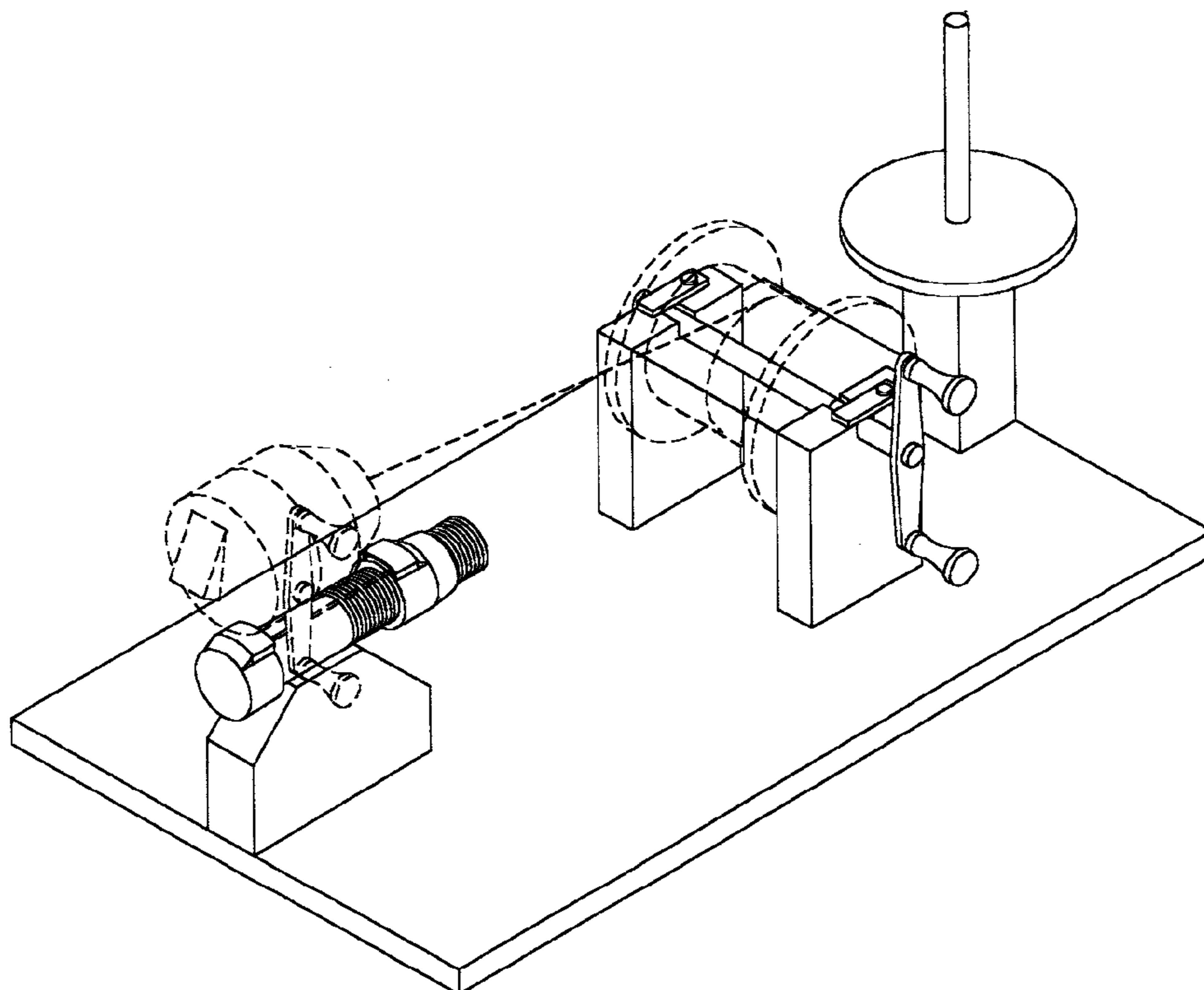
FIG. 8 is a bottom plan view thereof;

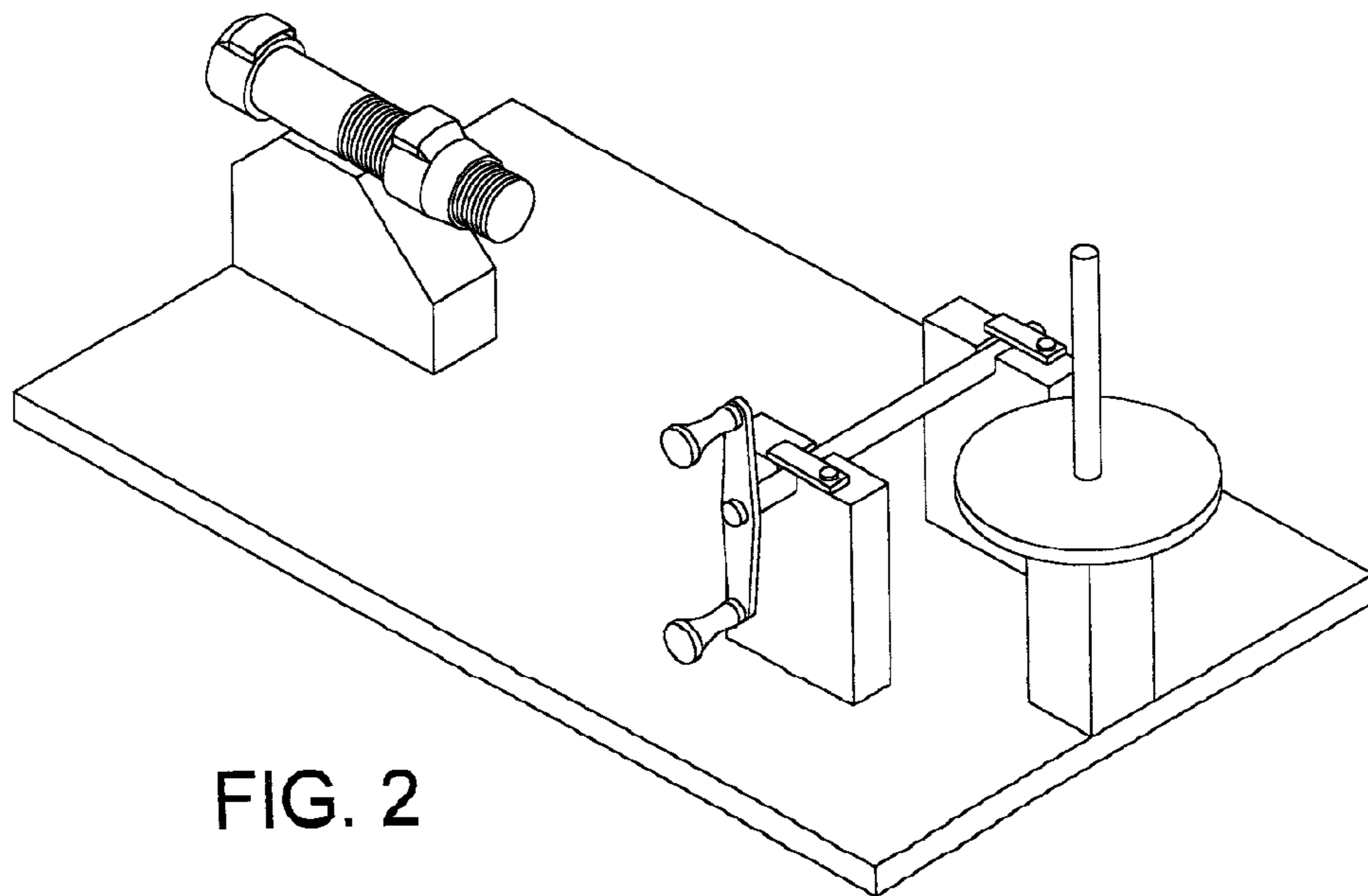
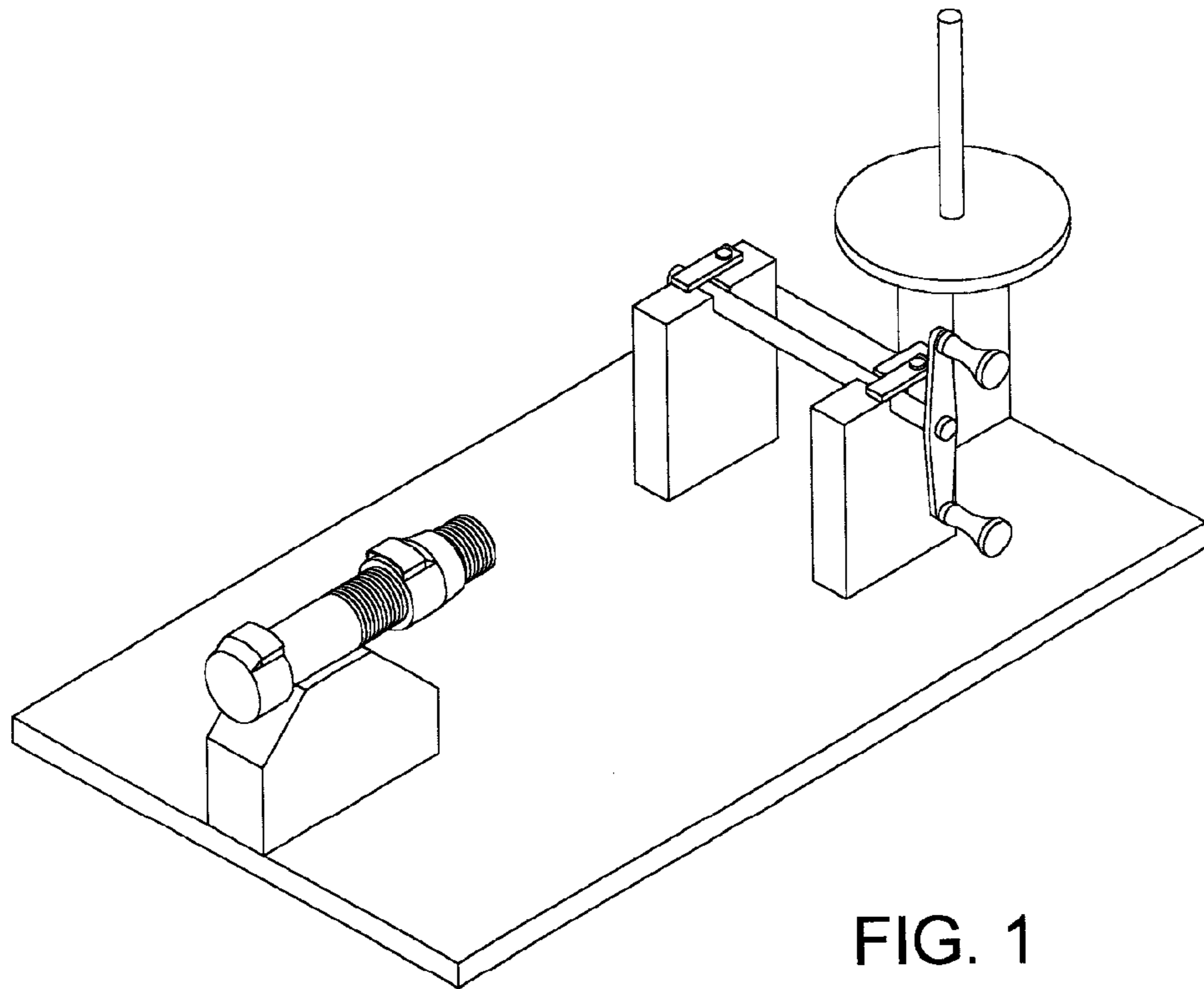
FIG. 9 is a front left perspective view thereof with a fishing reel and take-up spindle shown in broken lines; and,

FIG. 10 is a front left perspective view thereof with a fishing reel and supply spindle shown in broken lines.

In the drawings, the broken lines are for illustrative purposes only and form no part of the claimed design.

1 Claim, 5 Drawing Sheets





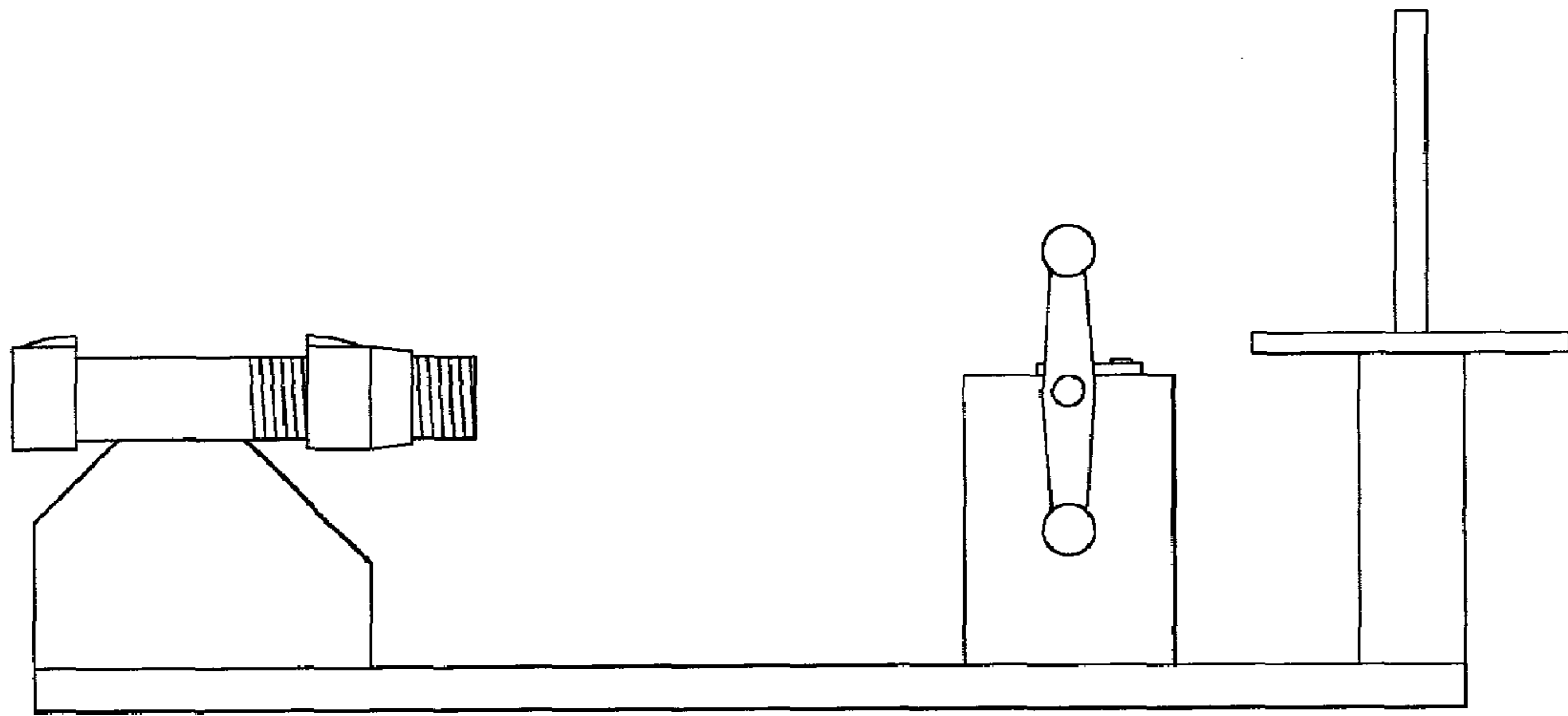


FIG. 3

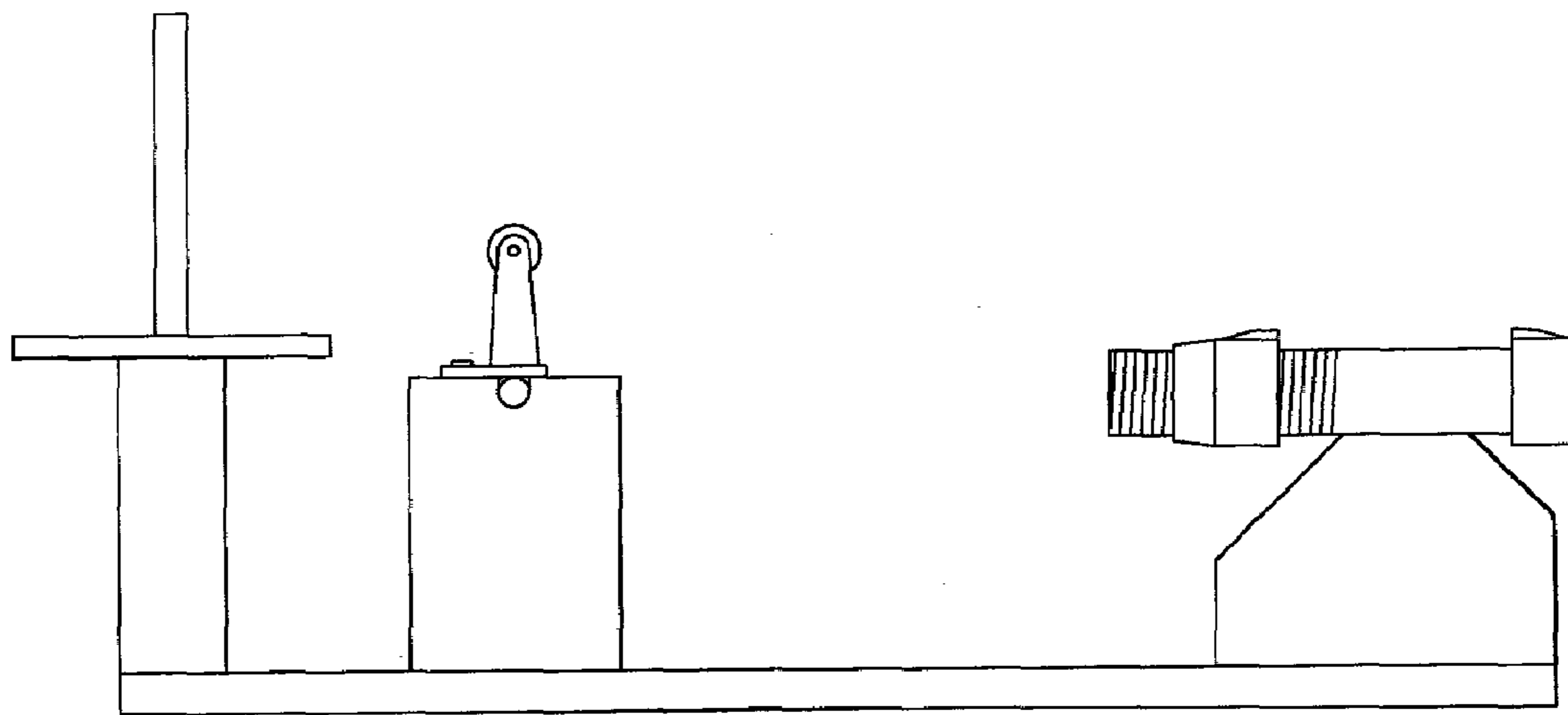


FIG. 4

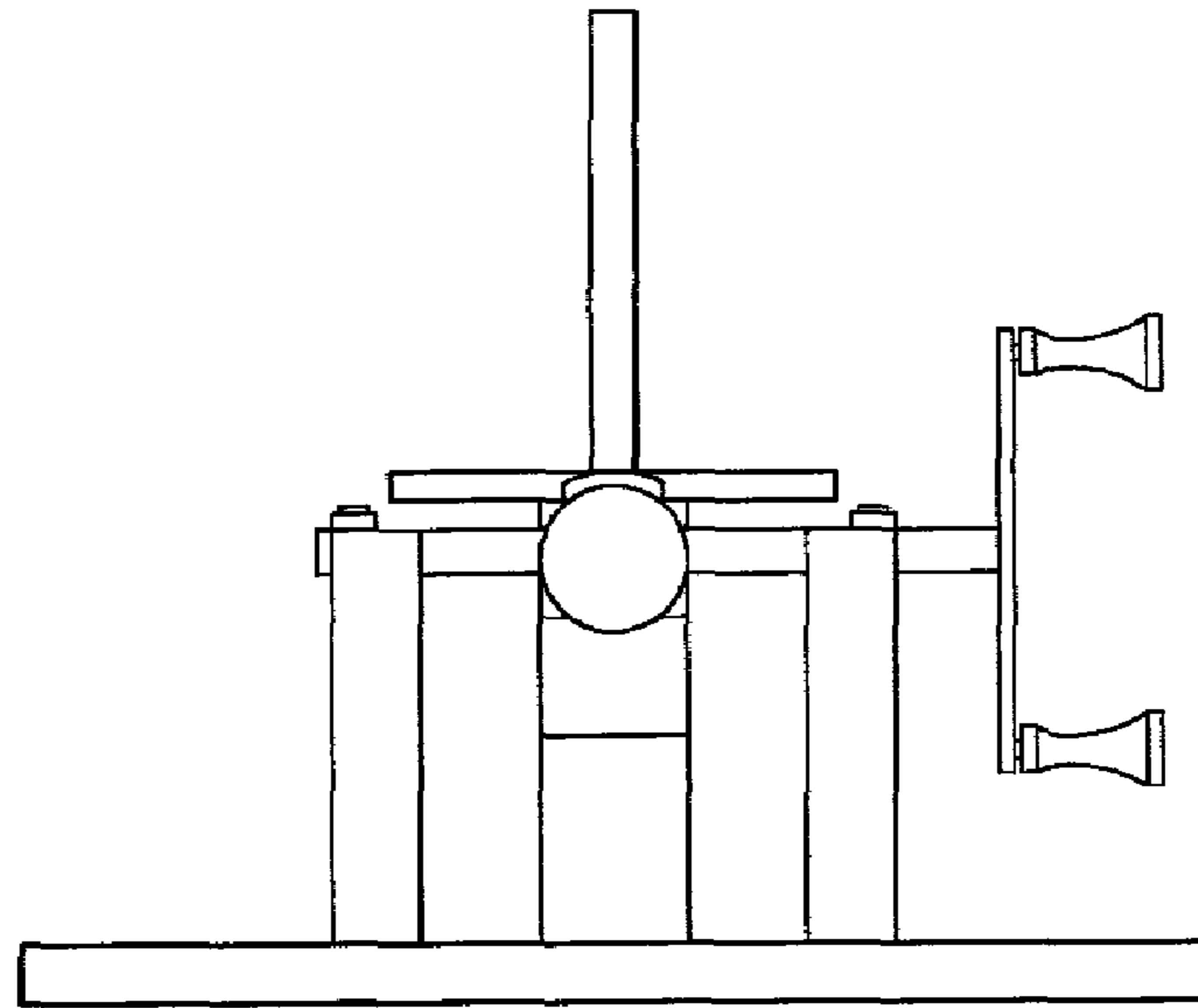


FIG. 5

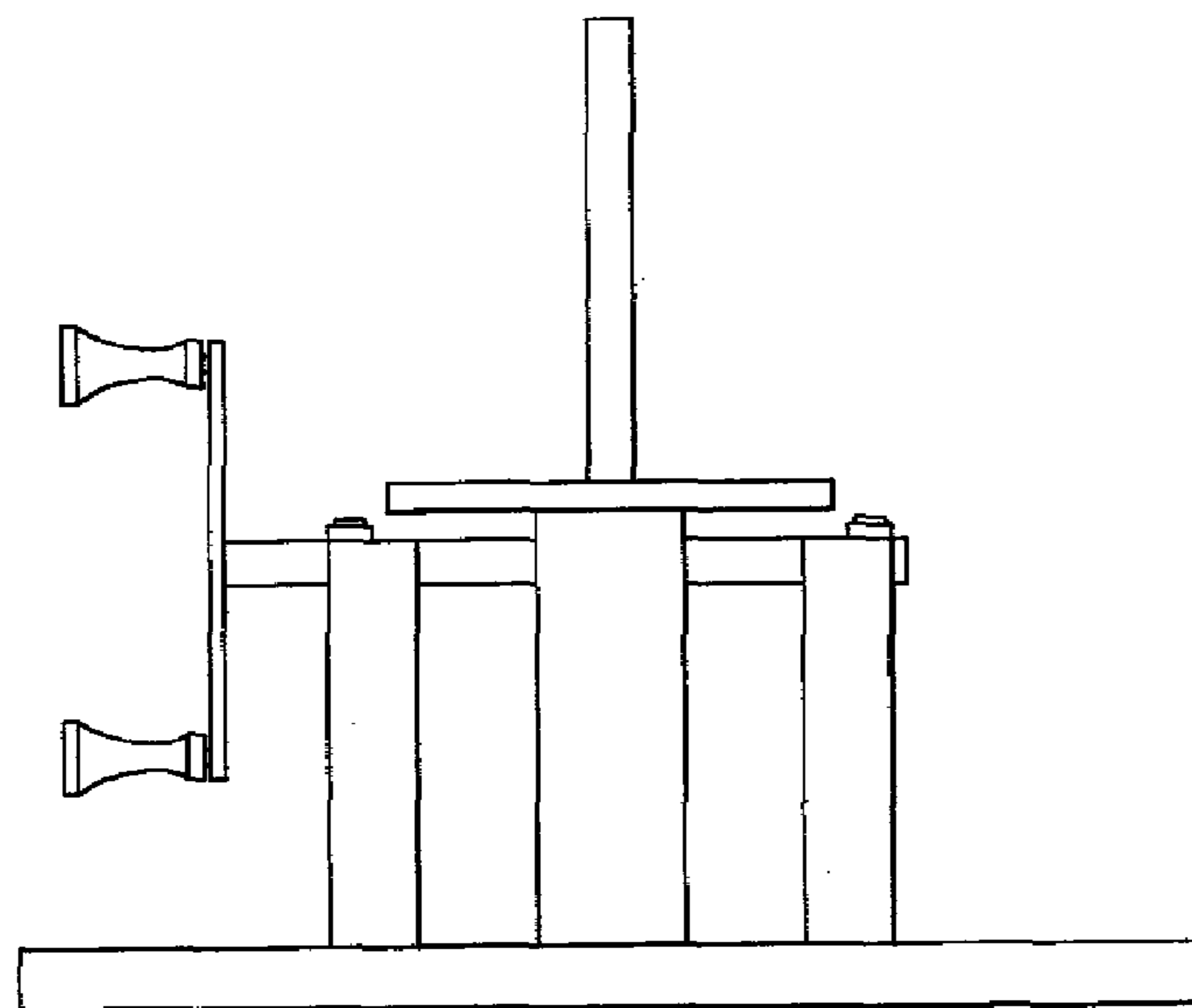


FIG. 6

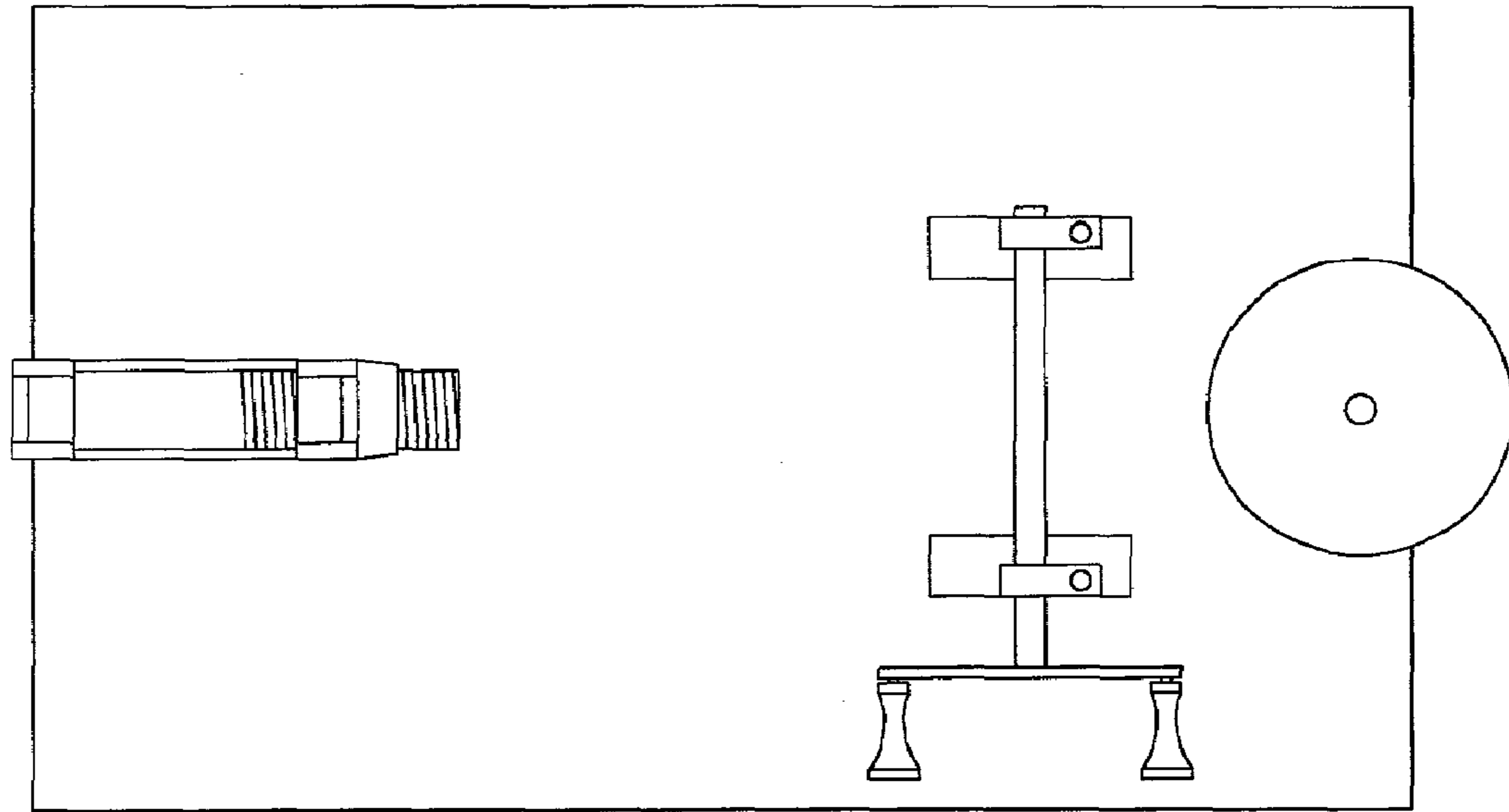


FIG. 7

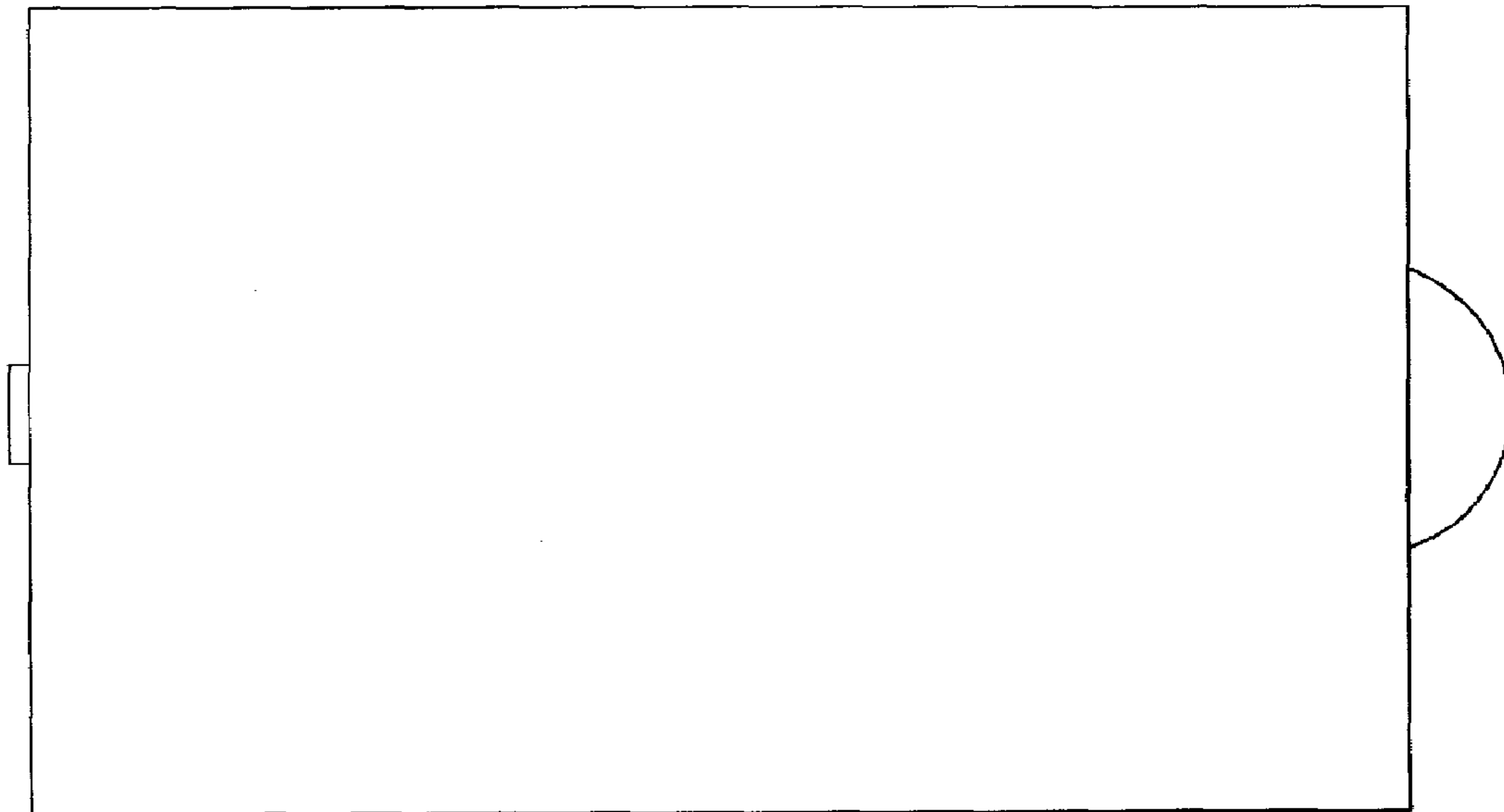


FIG. 8

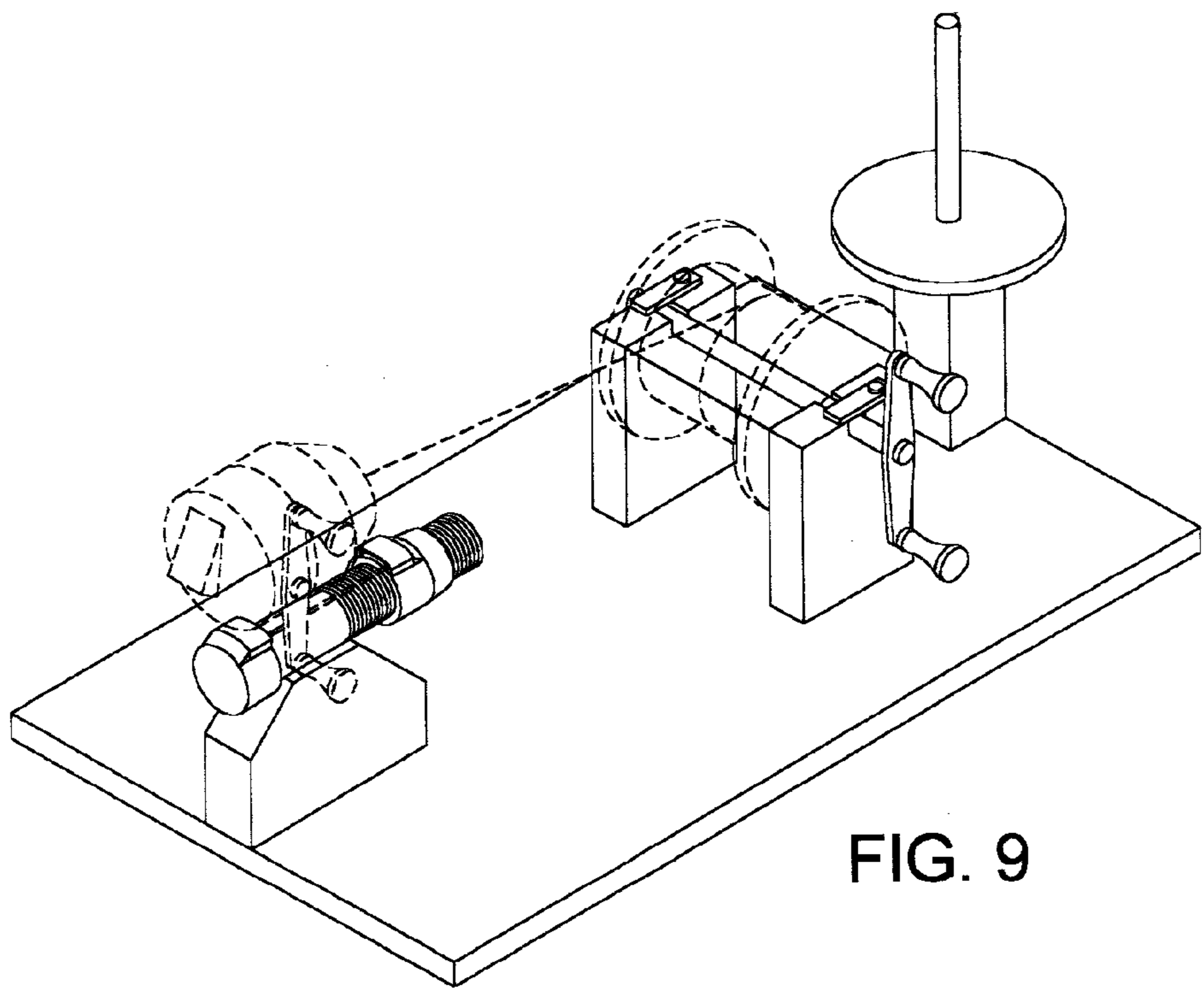


FIG. 9

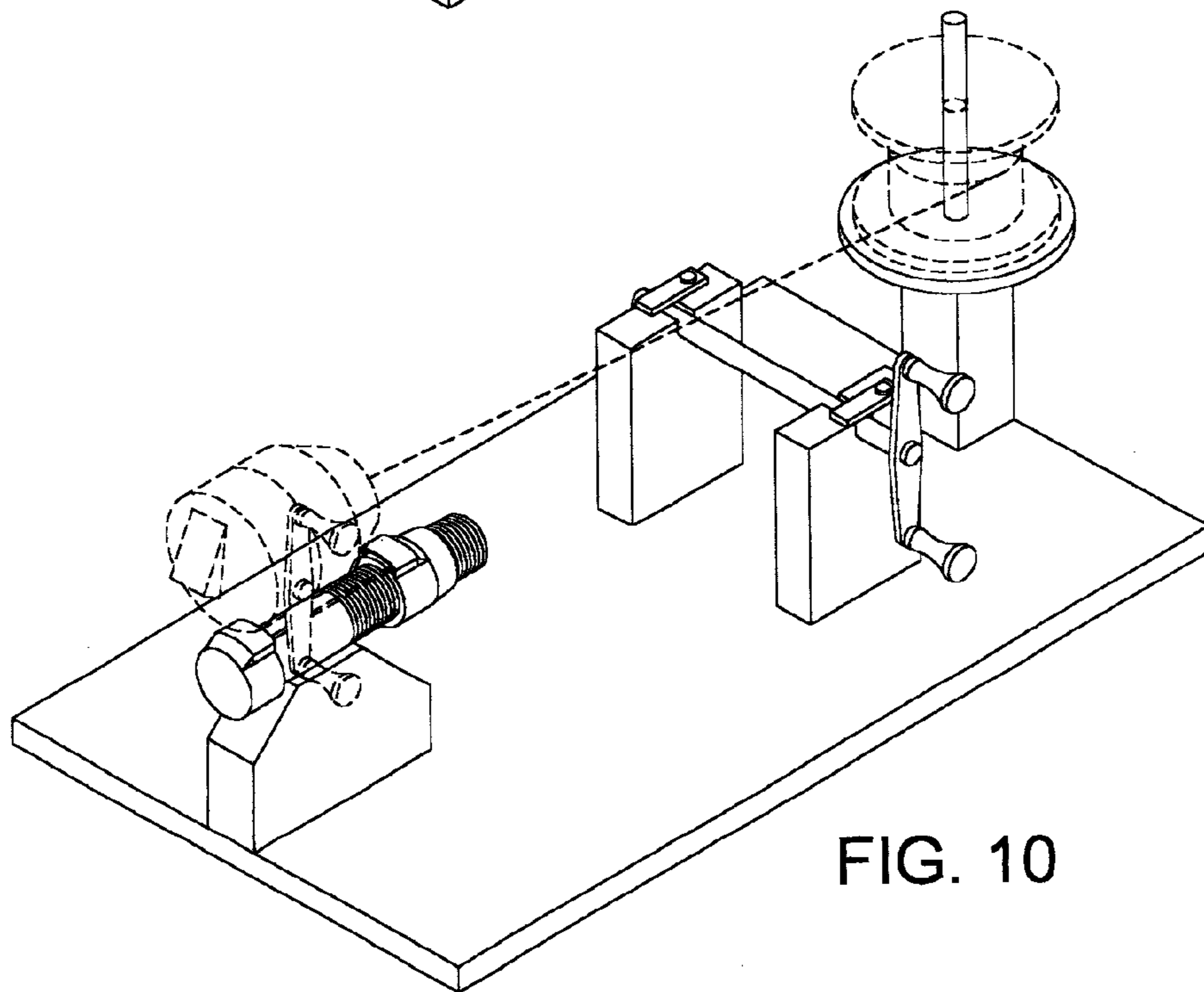


FIG. 10