

US00D587334S

(12) **United States Design Patent**  
**Cink**

(10) **Patent No.:** **US D587,334 S**

(45) **Date of Patent:** **\*\* Feb. 24, 2009**

- (54) **TERMITE STATION CONTAINER**
- (75) Inventor: **James H. Cink**, Ballwin, MO (US)
- (73) Assignee: **Whitmire Micro-Gen Research Laboratories, Inc.**, St. Louis, MO (US)
- (\*\*) Term: **14 Years**
- (21) Appl. No.: **29/281,688**
- (22) Filed: **Jun. 28, 2007**
- (51) **LOC (9) Cl.** ..... **22-06**
- (52) **U.S. Cl.** ..... **D22/122**
- (58) **Field of Classification Search** ..... D22/119-124;  
43/1, 58, 60, 107, 121, 131, 132.1, 124, 112-113;  
248/530, 156, 545  
See application file for complete search history.

- 6,058,646 A 5/2000 Bishoff et al.
- 6,071,529 A 6/2000 Ballard et al.
- 6,079,151 A 6/2000 Bishoff et al.
- 6,088,950 A 7/2000 Jones
- 6,195,934 B1 3/2001 Megargle et al.
- 6,235,301 B1 5/2001 Ballard et al.
- 6,298,597 B1 10/2001 Koehler et al.
- 6,370,814 B1 4/2002 Curtis et al.
- 6,375,243 B1 4/2002 Bradley et al.
- 6,397,517 B1 6/2002 Leyerle et al.
- 6,416,752 B1 7/2002 Richardson et al.
- 6,463,693 B1 10/2002 Weisner
- 6,467,216 B2 10/2002 McManus et al.
- 6,474,016 B2 11/2002 Snell et al.
- D467,296 S 12/2002 Chan

(Continued)

*Primary Examiner*—Catherine R Oliver  
(74) *Attorney, Agent, or Firm*—Armstrong Teasdale, LLP

(56) **References Cited**  
U.S. PATENT DOCUMENTS

- 4,208,828 A 6/1980 Hall et al.
- 4,214,400 A 7/1980 Patmore et al.
- 4,263,740 A 4/1981 Hemsarh et al.
- 4,709,504 A 12/1987 Andric
- 4,794,724 A 1/1989 Peters
- 4,837,969 A 6/1989 Demarest
- 4,970,822 A 11/1990 Sherman
- 5,406,743 A 4/1995 McSherry et al.
- 5,771,628 A 6/1998 Nobbs
- 5,806,237 A 9/1998 Nelson
- 5,815,982 A 10/1998 Garretson
- 5,930,944 A 8/1999 Knuppel
- 5,937,571 A 8/1999 Megargle et al.
- 5,960,585 A 10/1999 Demarest et al.
- 6,021,901 A 2/2000 Wolfe

(57) **CLAIM**

The ornamental design for a termite station container, as shown and described.

**DESCRIPTION**

FIG. 1 is a front perspective of my new termite station container;

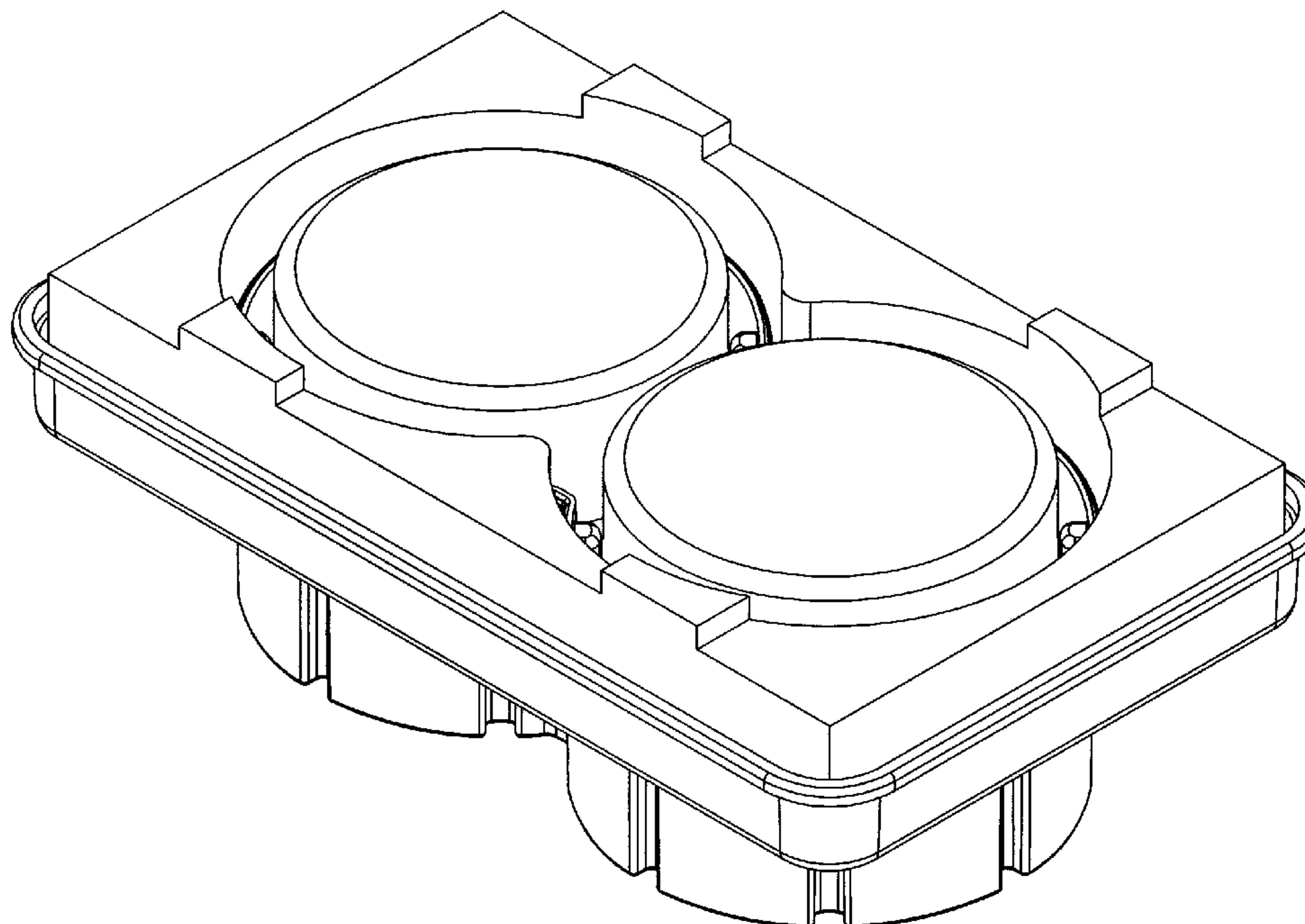
FIG. 2 is a front elevation view thereof, the rear elevational view being a mirror image thereof;

FIG. 3 is a top plan view thereof;

FIG. 4 is a right side elevational view thereof, the left side elevational view being a mirror image thereof; and,

FIG. 5 is a bottom plan view thereof.

**1 Claim, 5 Drawing Sheets**



# US D587,334 S

Page 2

---

## U.S. PATENT DOCUMENTS

6,497,070	B1	12/2002	Snell et al.	6,857,223	B2	2/2005	Su	
6,502,348	B2	1/2003	Bernard	6,914,529	B2	7/2005	Barber et al.	
6,532,696	B2	3/2003	Clark, III et al.	6,916,482	B2	7/2005	Ovington	
6,581,325	B2	6/2003	Gordon	6,928,771	B1	8/2005	Tesh	
6,584,728	B2	7/2003	Aesch, Jr. et al.	6,978,572	B1	12/2005	Bernklau et al.	
6,606,816	B2	8/2003	Oi et al.	D515,175	S *	2/2006	Mayo et al. ....	D22/122
6,606,817	B2	8/2003	Oi et al.	7,086,196	B2	8/2006	Cink et al.	
6,615,535	B2	9/2003	Snell et al.	D539,867	S *	4/2007	Mediate .....	D22/122
6,618,983	B1	9/2003	Spragins	D548,971	S	8/2007	Lin	
6,637,150	B1	10/2003	Oi et al.	D549,119	S	8/2007	Becker	
6,681,518	B2	1/2004	Aesch, Jr. et al.	2002/0189153	A1 *	12/2002	Clark .....	43/107
6,716,421	B2	4/2004	Brode, III et al.	2006/0207164	A1 *	9/2006	Pearson .....	43/132.1
6,796,082	B1	9/2004	Duston et al.	2006/0254123	A1	11/2006	Su	
				2007/0256350	A1 *	11/2007	Cates .....	43/132.1

\* cited by examiner

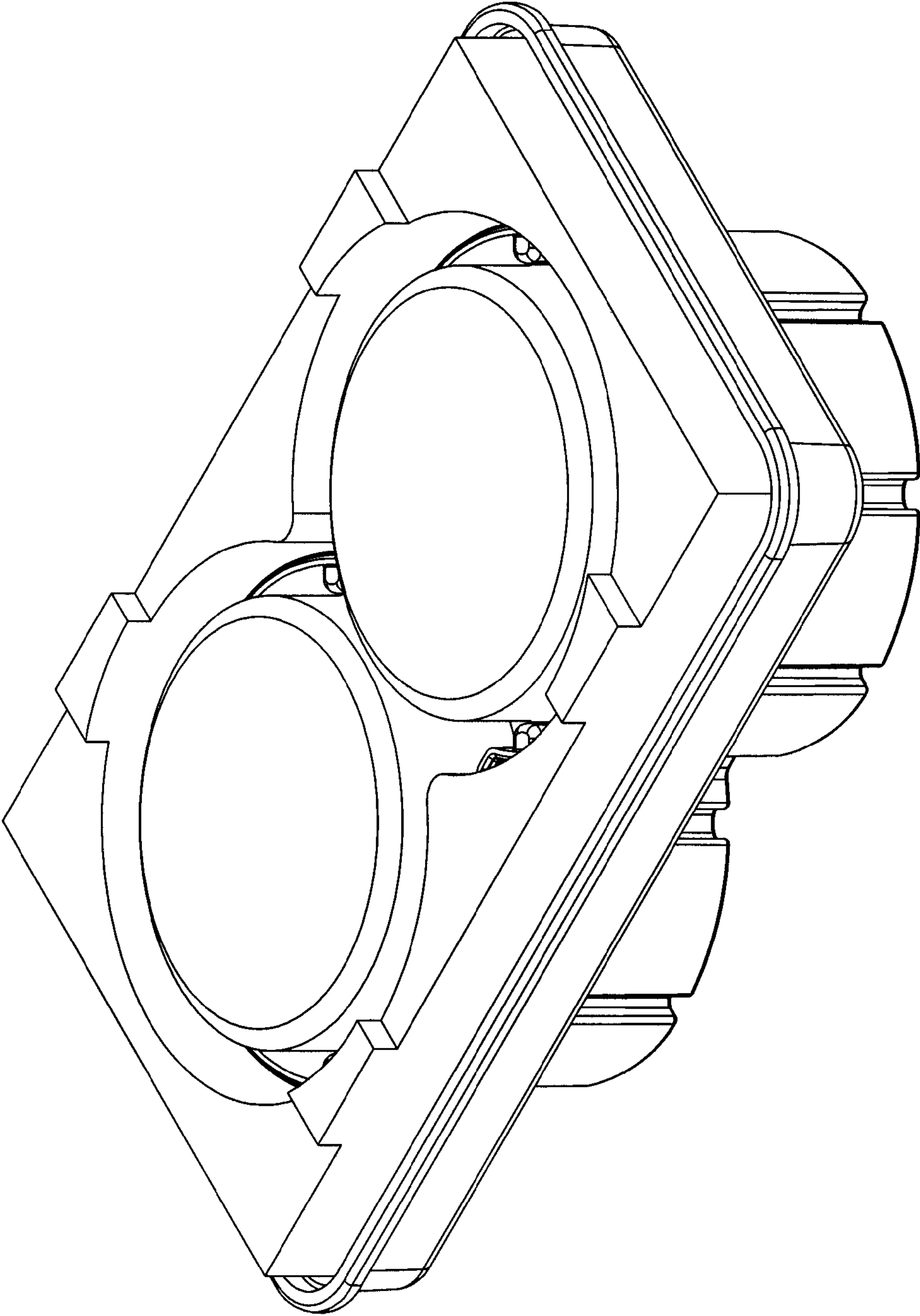
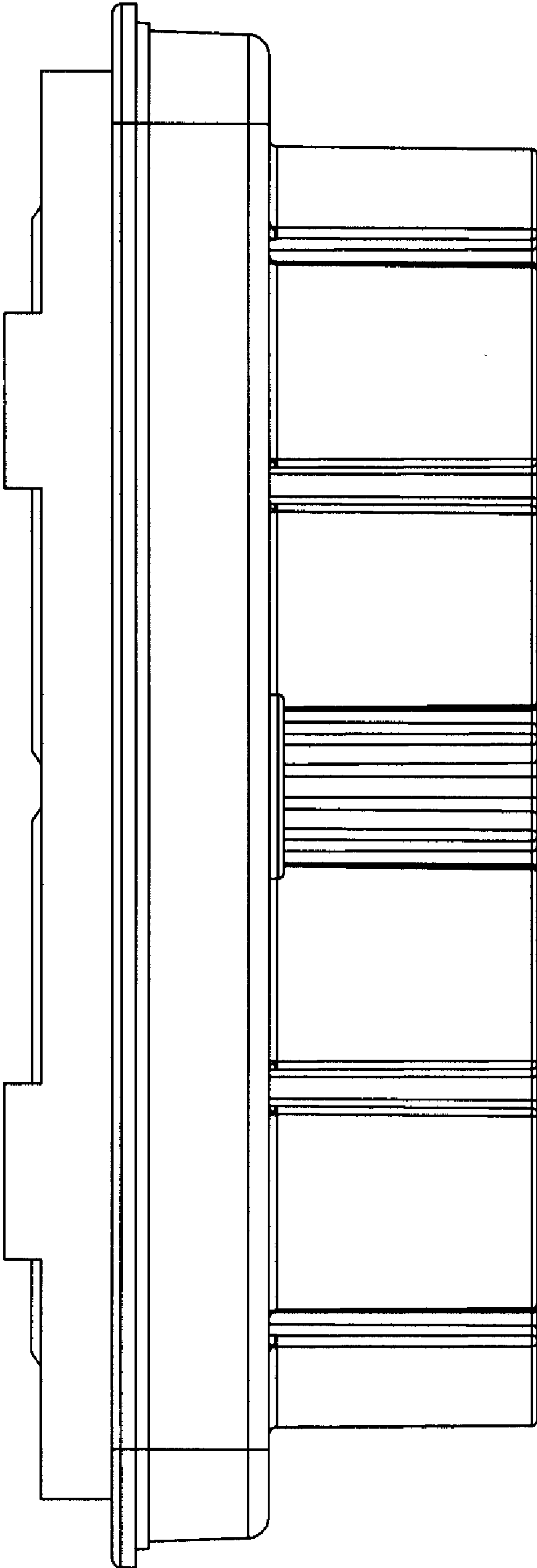


FIG. 1

FIG. 2





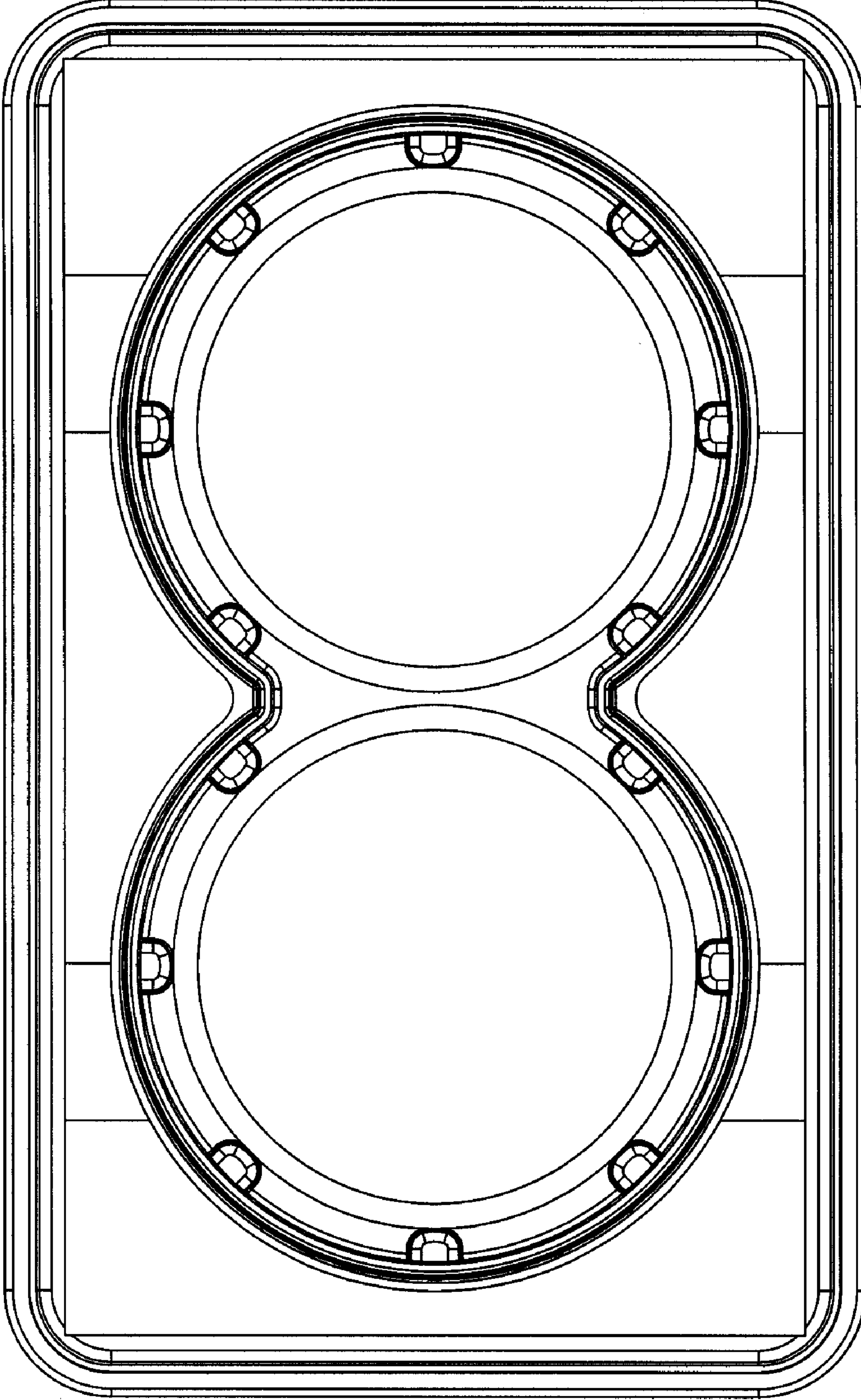
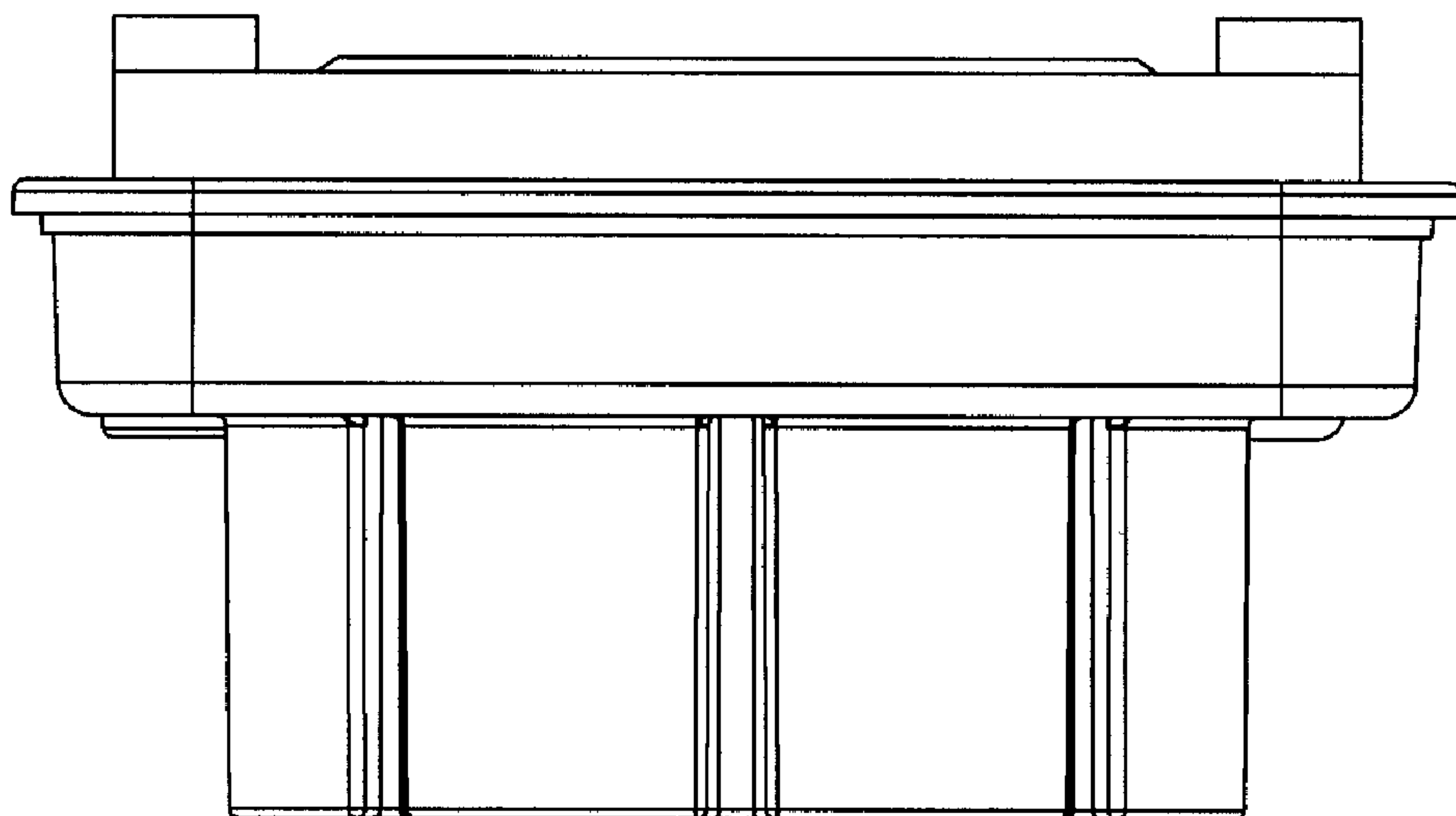


FIG. 3

FIG. 4



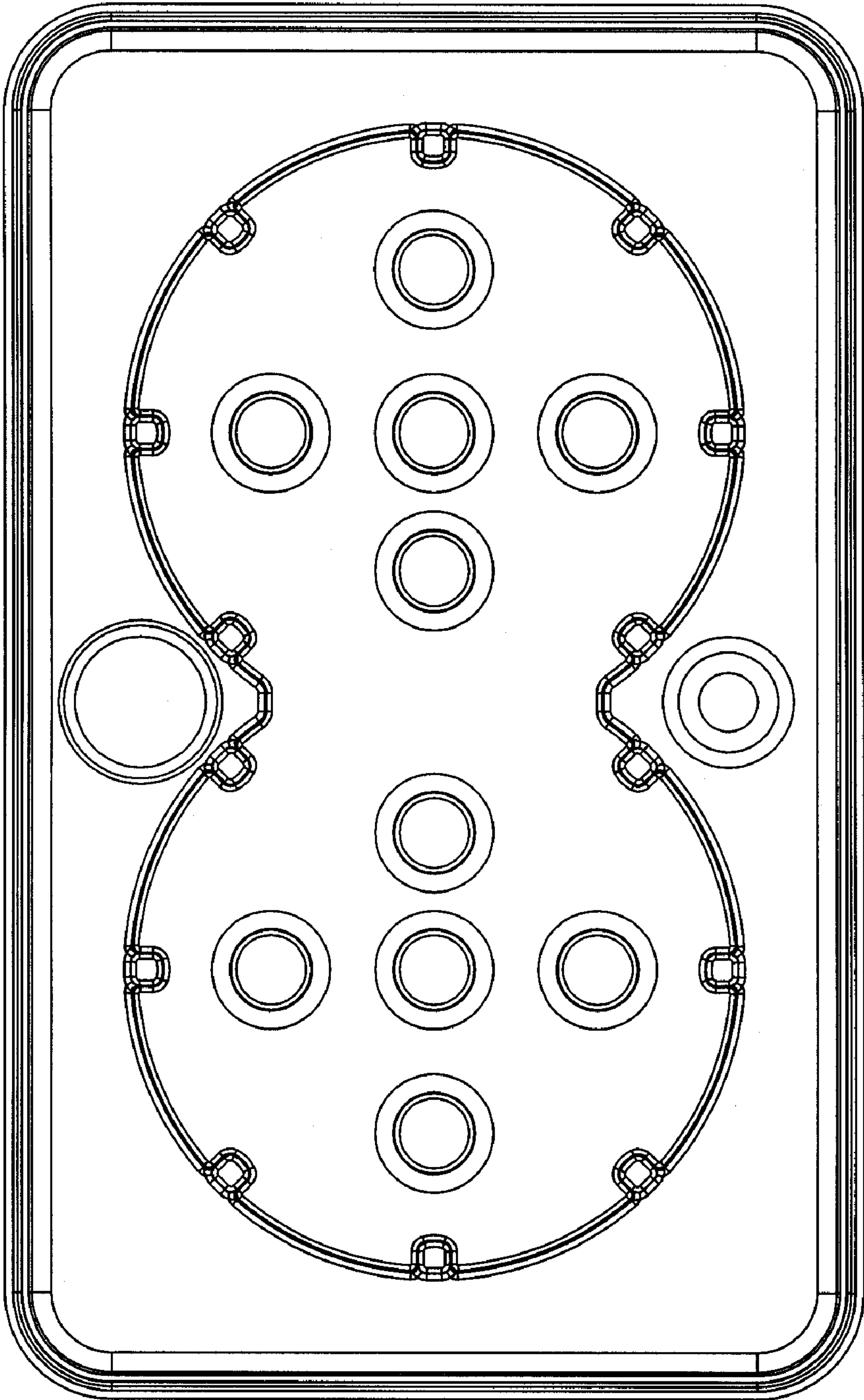


FIG. 5