



US00D587333S

(12) **United States Design Patent**
Peters et al.

(10) **Patent No.:** **US D587,333 S**
(45) **Date of Patent:** **** Feb. 24, 2009**

(54) **RETICLE FOR A GUNSIGHT OR OTHER AIMED OPTICAL DEVICE**

(75) Inventors: **Victoria J. Peters**, Vernonia, OR (US);
Andrew W. York, Portland, OR (US);
Martin Koornneef, Beaverton, OR (US)

(73) Assignee: **Leupold & Stevens, Inc.**, Beaverton, OR (US)

(**) Term: **14 Years**

(21) Appl. No.: **29/306,954**

(22) Filed: **Apr. 18, 2008**

(51) **LOC (9) Cl.** **22-01**

(52) **U.S. Cl.** **D22/109**

(58) **Field of Classification Search** D22/108–110;
D16/13, 132, 134; 33/227, 297, 298; 42/122,
42/111–113, 130, 124, 134–145; 235/414;
356/11, 21; 359/424, 428; 89/161, 41, 19,
89/200–204

See application file for complete search history.

(56) **References Cited**

U.S. PATENT DOCUMENTS

1,428,389	A *	9/1922	Miller	42/133
D306,173	S *	2/1990	Reese	D16/130
4,912,853	A *	4/1990	McDonnell et al.	33/228
5,491,546	A *	2/1996	Wascher et al.	42/122
D397,704	S *	9/1998	Reese	D16/130
D403,686	S *	1/1999	Reese	D16/130
D475,758	S	6/2003	Ishikawa	
D506,520	S *	6/2005	Timm et al.	D22/108
D517,153	S *	3/2006	Timm et al.	D22/109
D522,030	S *	5/2006	Jenkinson	D16/130
D530,775	S *	10/2006	LaCorte	D22/108

D530,776	S *	10/2006	LaCorte	D22/108
D532,477	S *	11/2006	Zaderey et al.	D22/108
D536,762	S *	2/2007	Timm et al.	D22/109
D542,879	S *	5/2007	Zaderey	D22/109
D544,511	S *	6/2007	Geurts	D16/130
D562,428	S *	2/2008	Peters et al.	D22/108
D570,441	S *	6/2008	Pride et al.	D22/109
2004/0016168	A1 *	1/2004	Thomas et al.	42/122
2005/0005495	A1 *	1/2005	Smith	42/122
2005/0229468	A1 *	10/2005	Zaderey et al.	42/122
2005/0257414	A1 *	11/2005	Zaderey et al.	42/122
2007/0097351	A1 *	5/2007	York et al.	42/119

OTHER PUBLICATIONS

Premier Reticles, Ltd., 2002 Pricing & Information/Catalog, Aug. 1, 2002, 21 pgs. See reticles provided on p. 9.

* cited by examiner

Primary Examiner—Cathron C Brooks

Assistant Examiner—Melanie Levy

(74) *Attorney, Agent, or Firm*—Stoel Rives LLP

(57)

CLAIM

We claim the ornamental design for a reticle for a gunsight or other aimed optical device, as shown and described.

DESCRIPTION

FIG. 1 is a view of a reticle for a gunsight or other aimed optical device, as viewed through an eyepiece end of a rifle-scope or other aimed optical device; and,

FIG. 2 is a perspective view showing of an environment of use for the reticle of FIG. 1.

In FIGS. 1 and 2, the dashed lines indicate environmental features that form no part of the claimed invention.

1 Claim, 2 Drawing Sheets

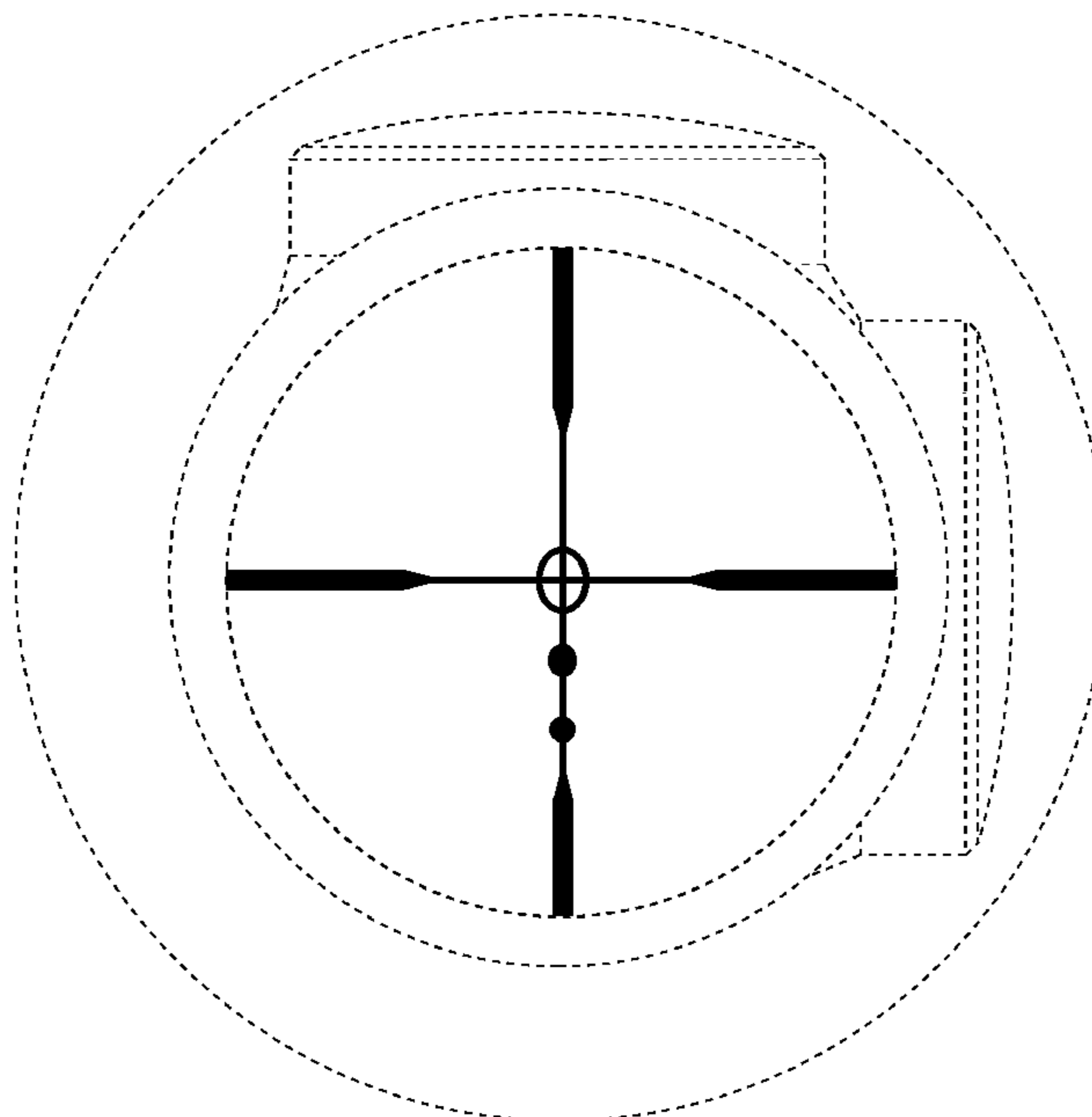
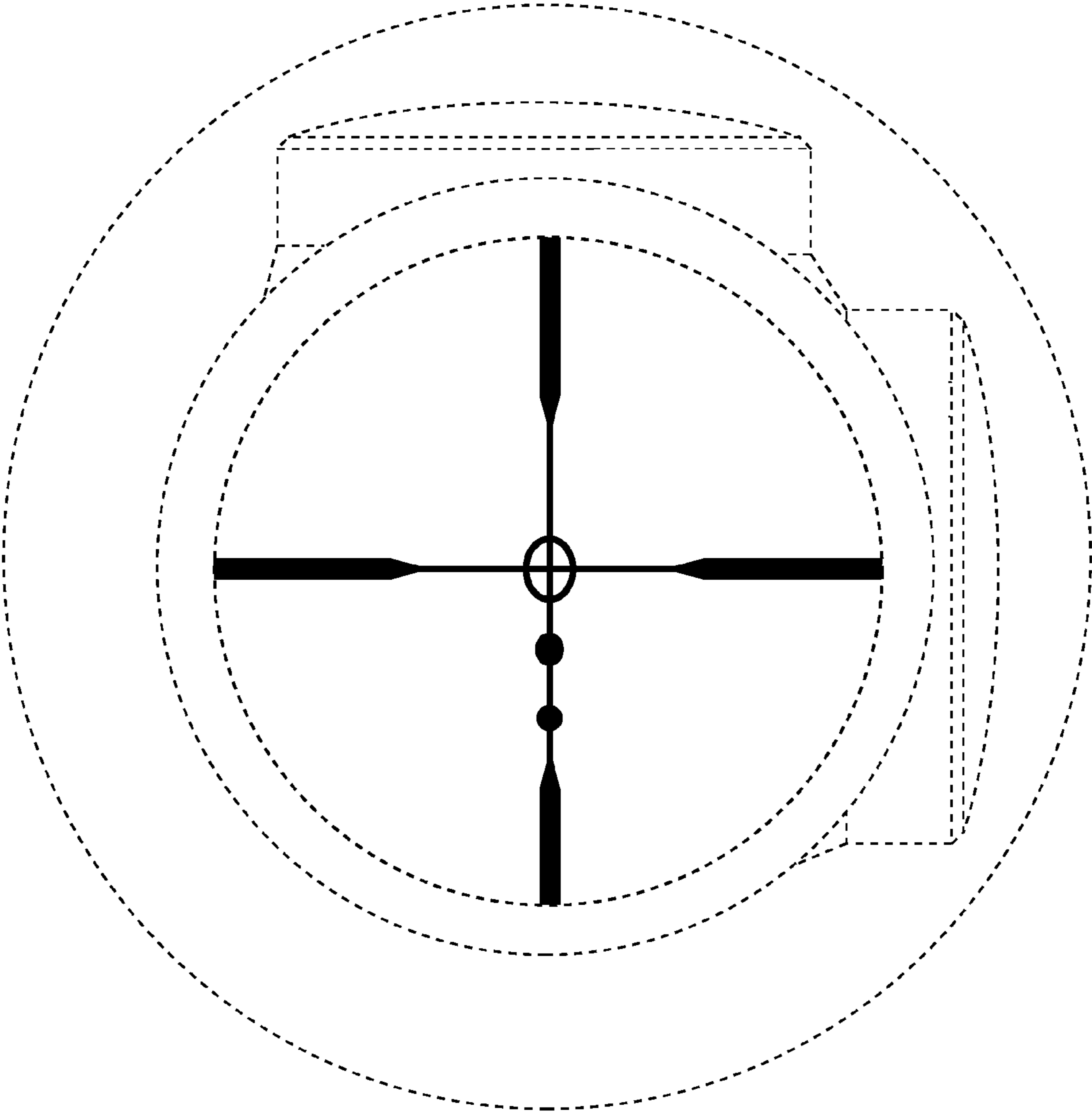


FIG. 1



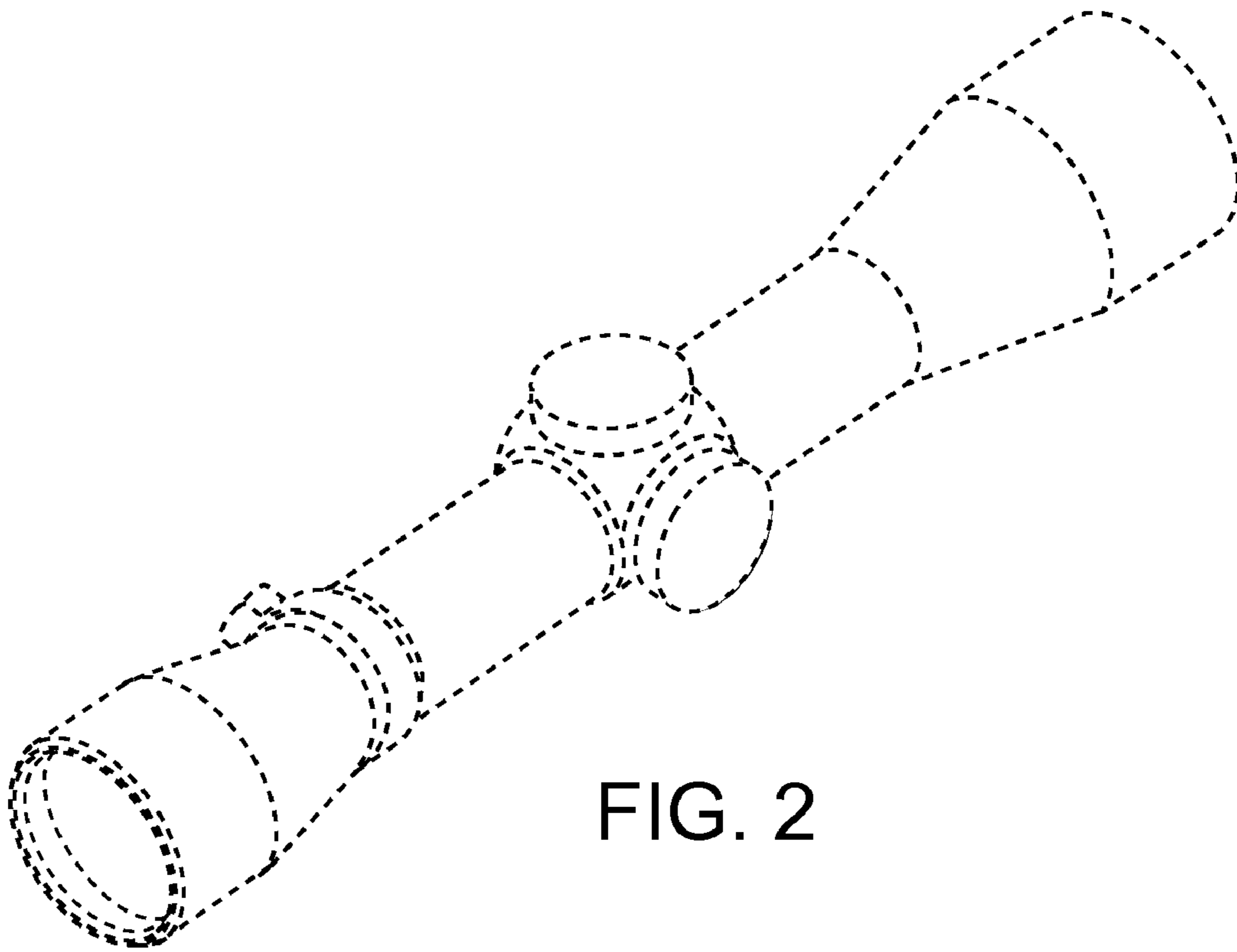


FIG. 2