



US00D587332S

(12) **United States Design Patent**
Queli et al.

(10) **Patent No.:** **US D587,332 S**

(45) **Date of Patent:** **** Feb. 24, 2009**

(54) **PORTABLE POOL KIT**

(76) Inventors: **Joseph L. Queli**, 9 Madison Ave., Long Branch, NJ (US) 07740; **Dana A. Queli**, 9 Madison Ave., Long Branch, NJ (US) 07740

(**) Term: **14 Years**

(21) Appl. No.: **29/298,882**

(22) Filed: **Dec. 14, 2007**

(51) **LOC (9) Cl.** **21-03**

(52) **U.S. Cl.** **D21/815**

(58) **Field of Classification Search** D21/815;
D32/53, 53.1; D3/253, 259, 224; D6/582-583;
472/128; D25/2

See application file for complete search history.

(56) **References Cited**

U.S. PATENT DOCUMENTS

2,533,355	A	12/1950	Comfort	
3,633,221	A	1/1972	Addison	
3,966,102	A	6/1976	Clark	
4,765,472	A	8/1988	Dent	
5,134,857	A	8/1992	Burley	
5,174,447	A	12/1992	Fleming	
5,303,500	A	4/1994	Luukonen	
5,350,065	A	9/1994	Darrey	
5,881,402	A	3/1999	Devino et al.	
5,947,322	A	9/1999	Ho	
6,364,150	B1	4/2002	Persinger	
D475,851	S *	6/2003	Leighton	D3/224
D515,263	S *	2/2006	Libman et al.	D32/53
D574,668	S *	8/2008	Kelly	D7/608

* cited by examiner

Primary Examiner—Mitchell I Siegel

(74) *Attorney, Agent, or Firm*—Altimatia, LLC; David M. Gange

(57) **CLAIM**

The ornamental design for a portable pool kit, as shown and described.

DESCRIPTION

FIG. 1 is a perspective view of a portable pool kit of the invention with the components gathered together in the bucket;

FIG. 2 is a front elevation view thereof;

FIG. 3 is a back elevation view thereof;

FIG. 4 is a left side elevation view thereof;

FIG. 5 is a right side elevation view thereof;

FIG. 6 is a top plan view thereof;

FIG. 7 is a bottom plan view thereof;

FIG. 8 is a perspective view of a portable pool kit of the invention displaying kit components;

FIG. 9 is a front elevation view thereof;

FIG. 10 is a back elevation view thereof;

FIG. 11 is a right side elevation view thereof;

FIG. 12 is a left side elevation view thereof;

FIG. 13 is a top plan view thereof;

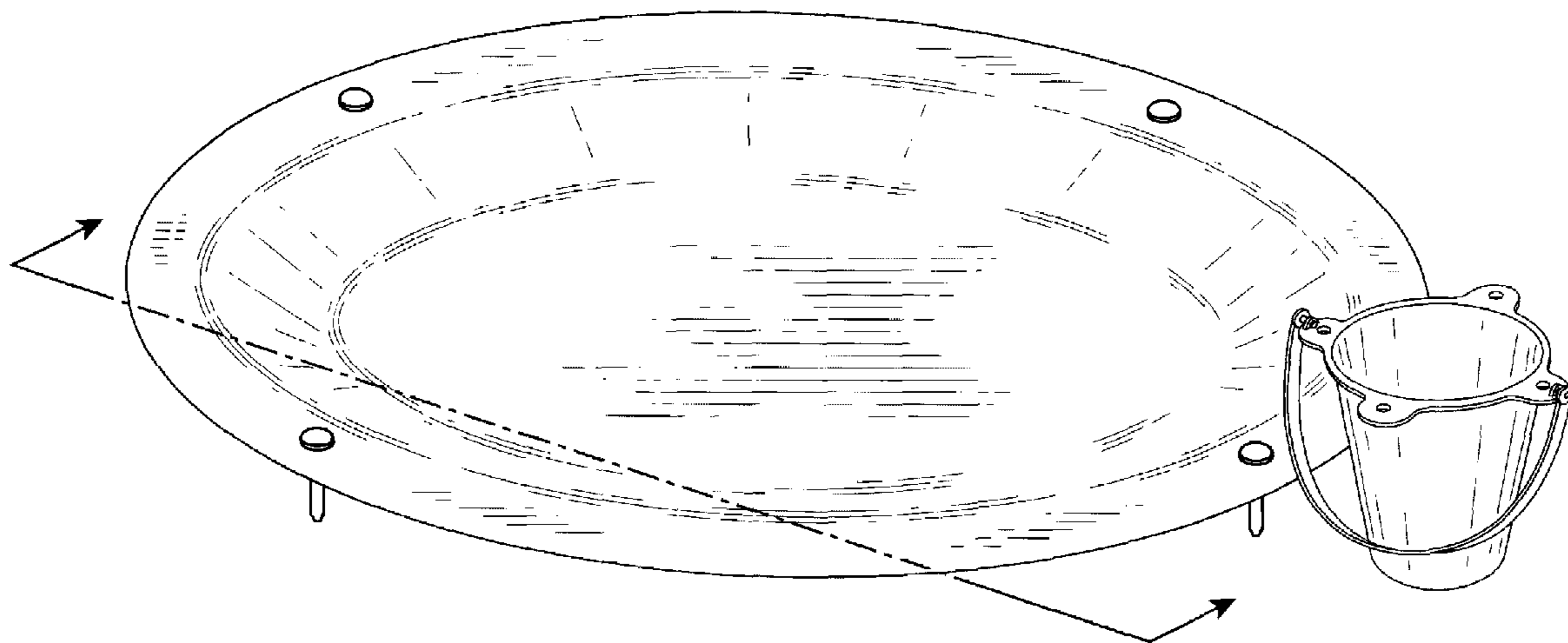
FIG. 14 is a bottom plan view thereof;

FIG. 15 is a perspective view of a portable pool kit of the invention displaying the kit in use;

FIG. 16 is a cross-sectional view taken on line 16—16 of FIG. 15; and,

FIG. 17 is a top plan view thereof.

1 Claim, 17 Drawing Sheets



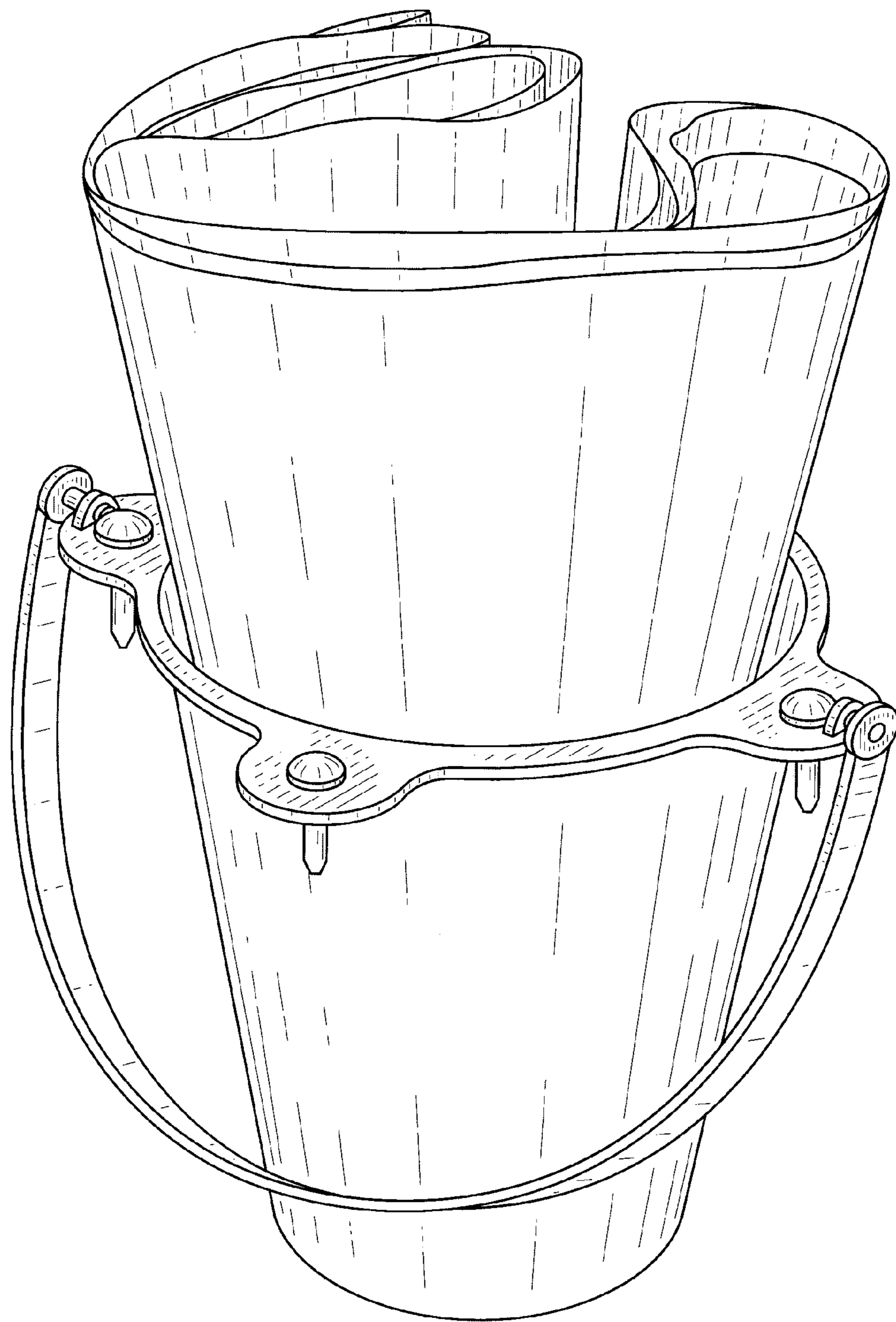


FIG. 1

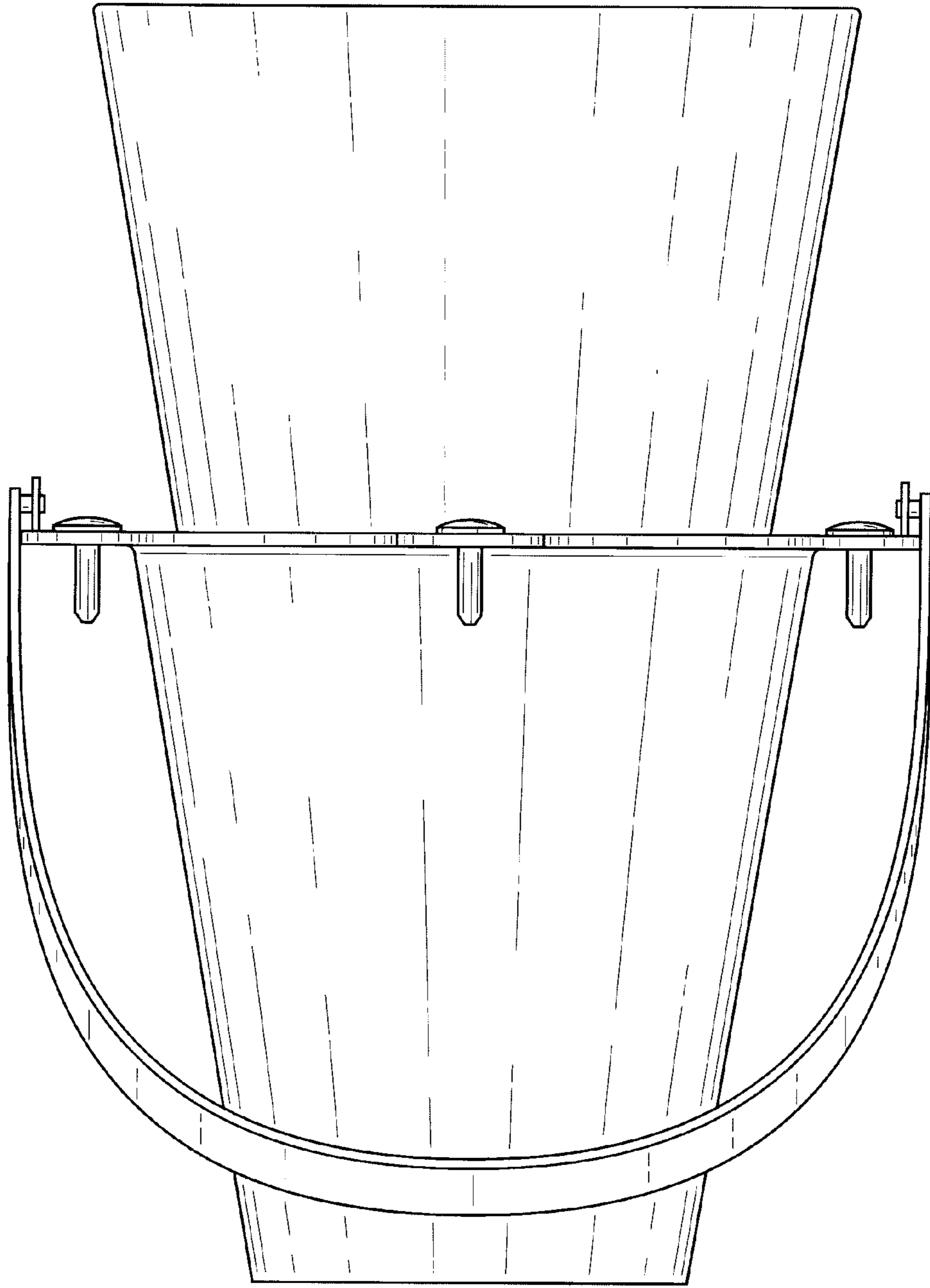


FIG. 2

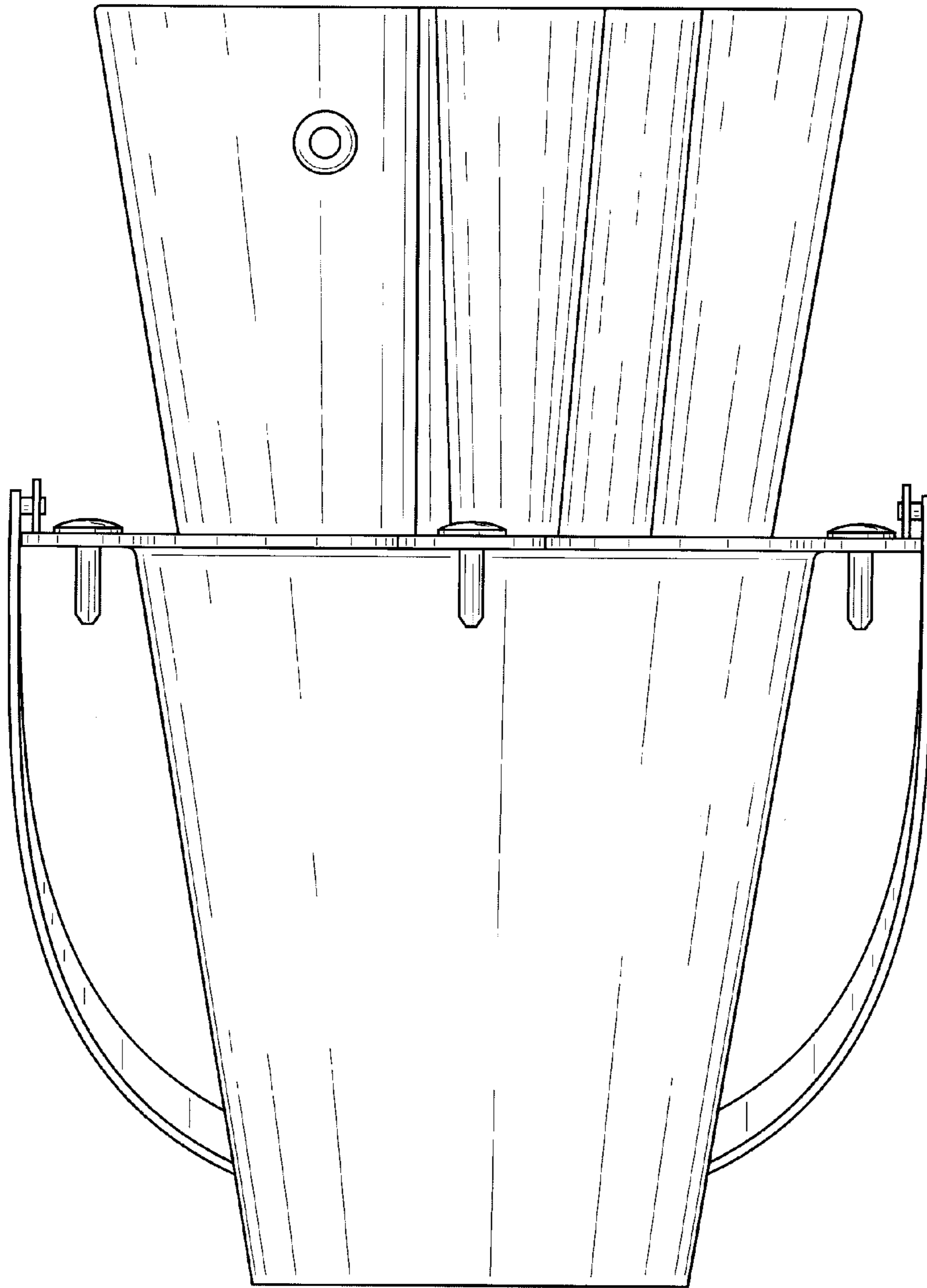


FIG. 3

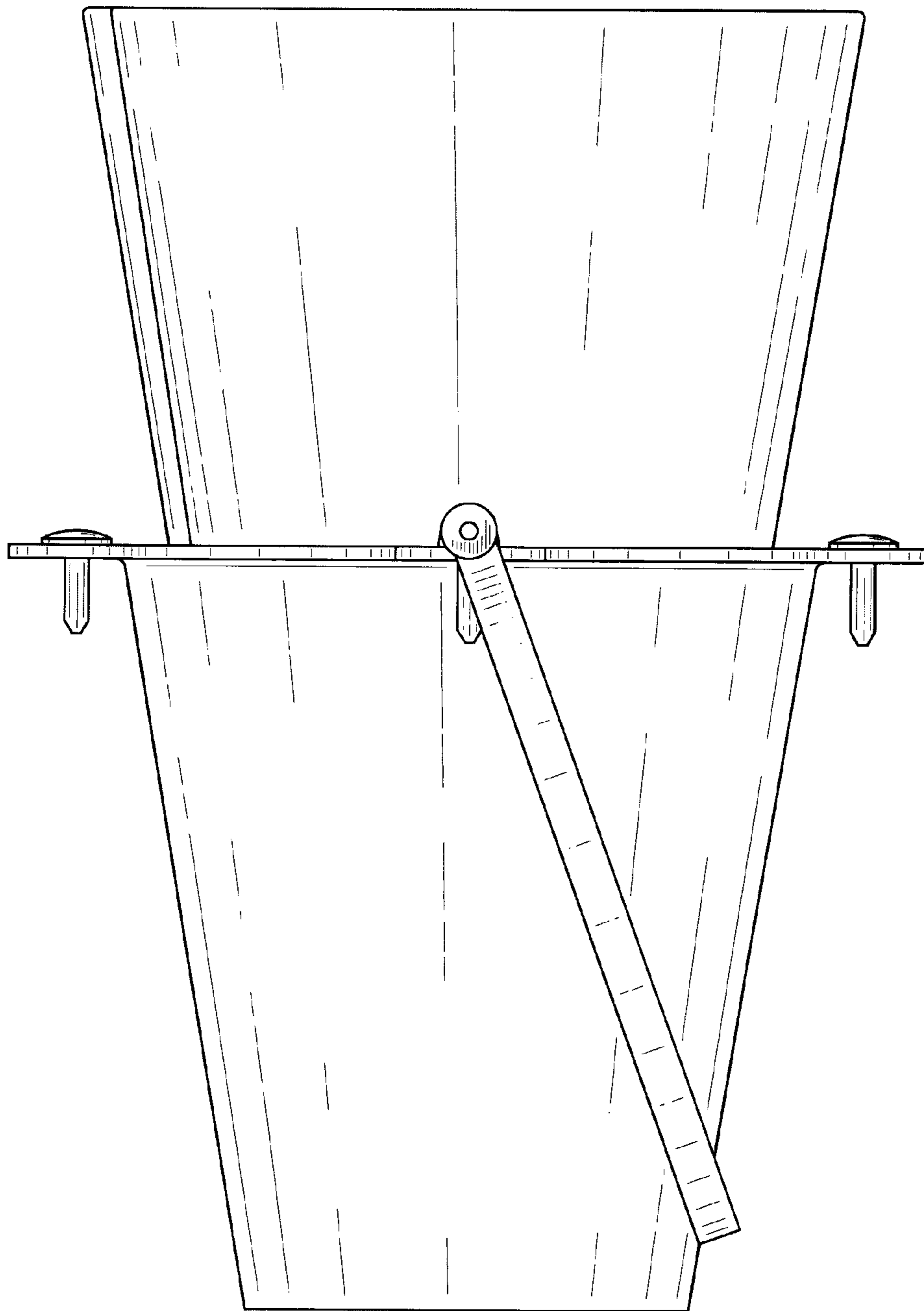


FIG. 4

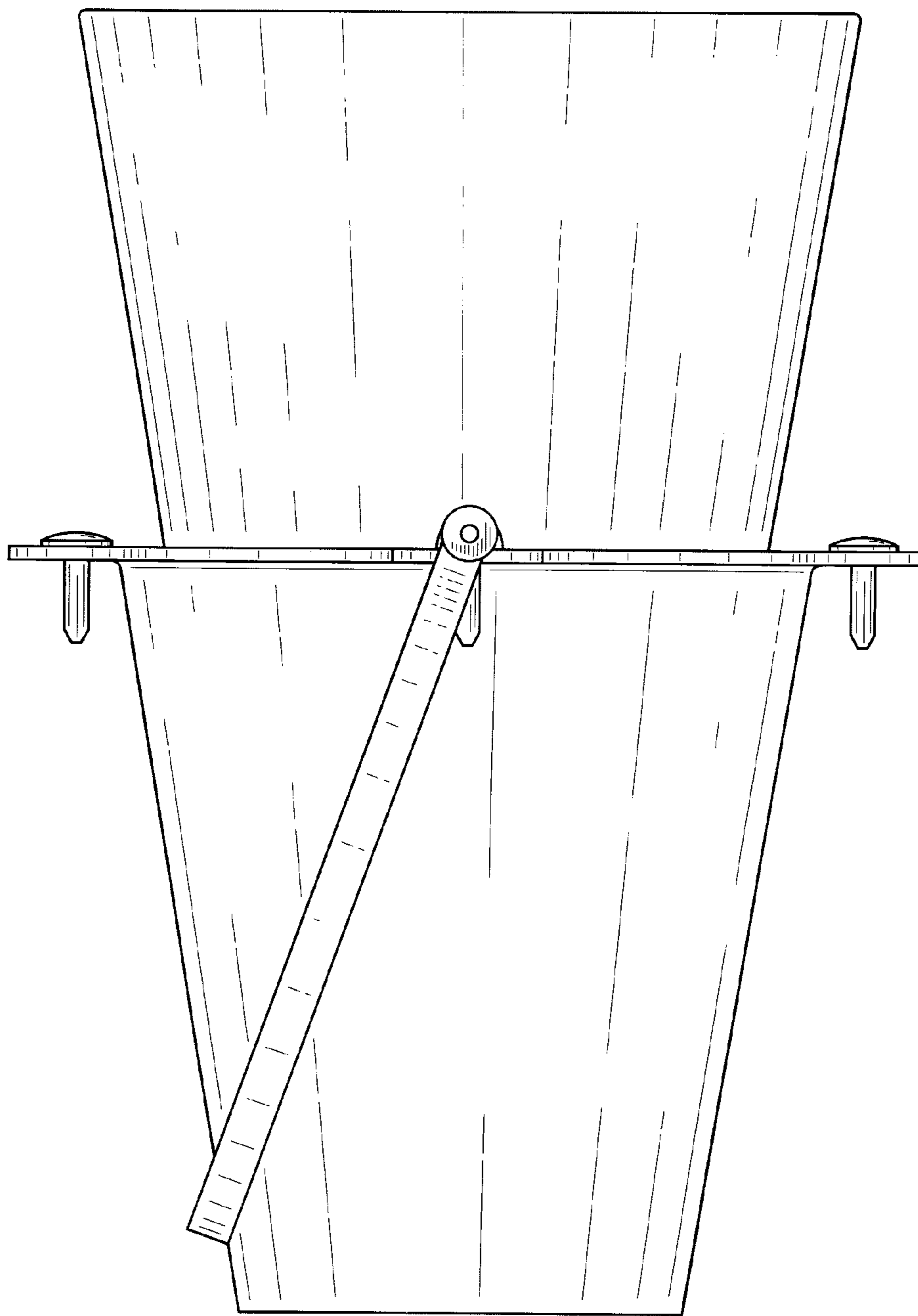


FIG. 5

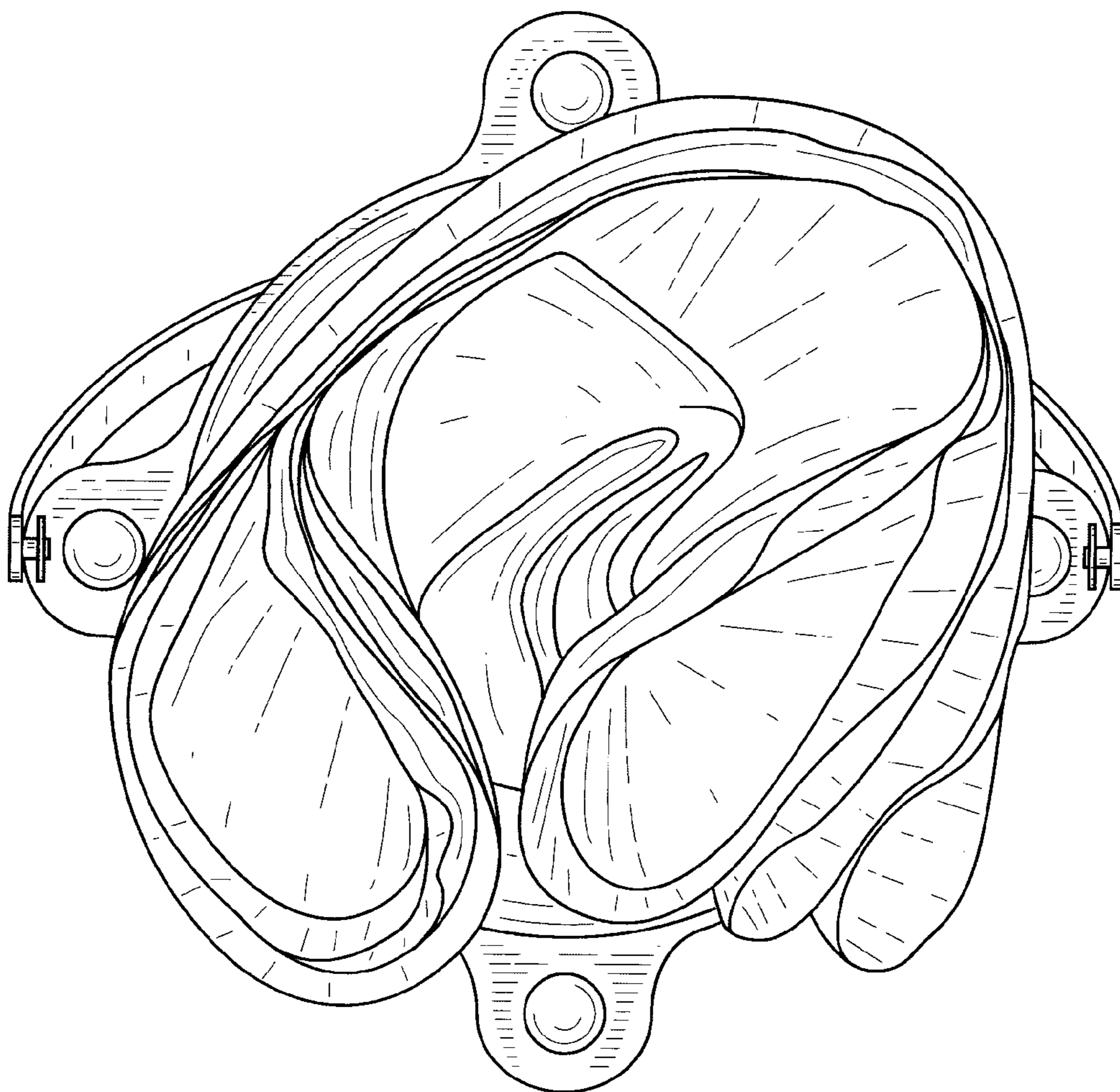


FIG. 6

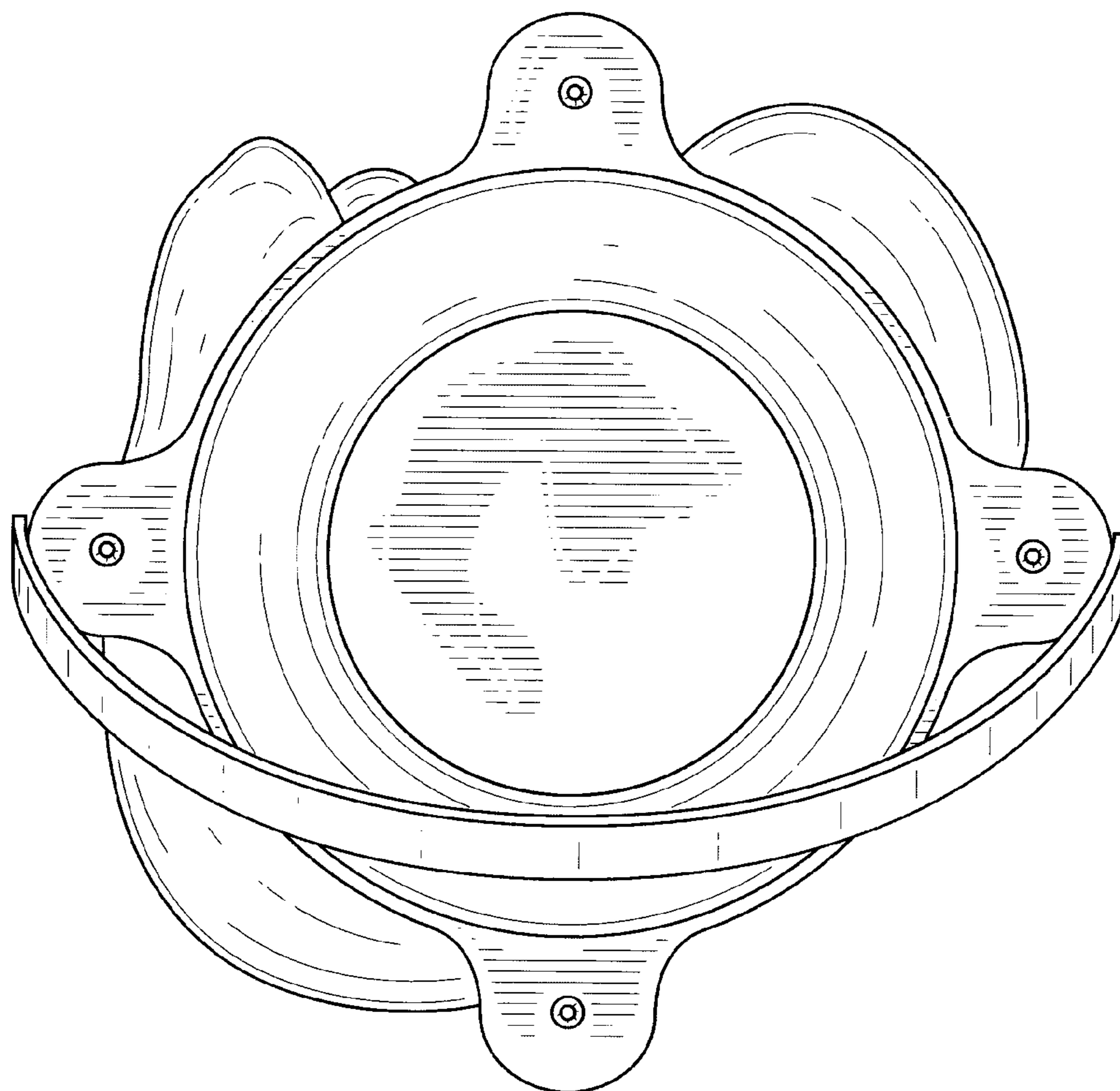


FIG. 7

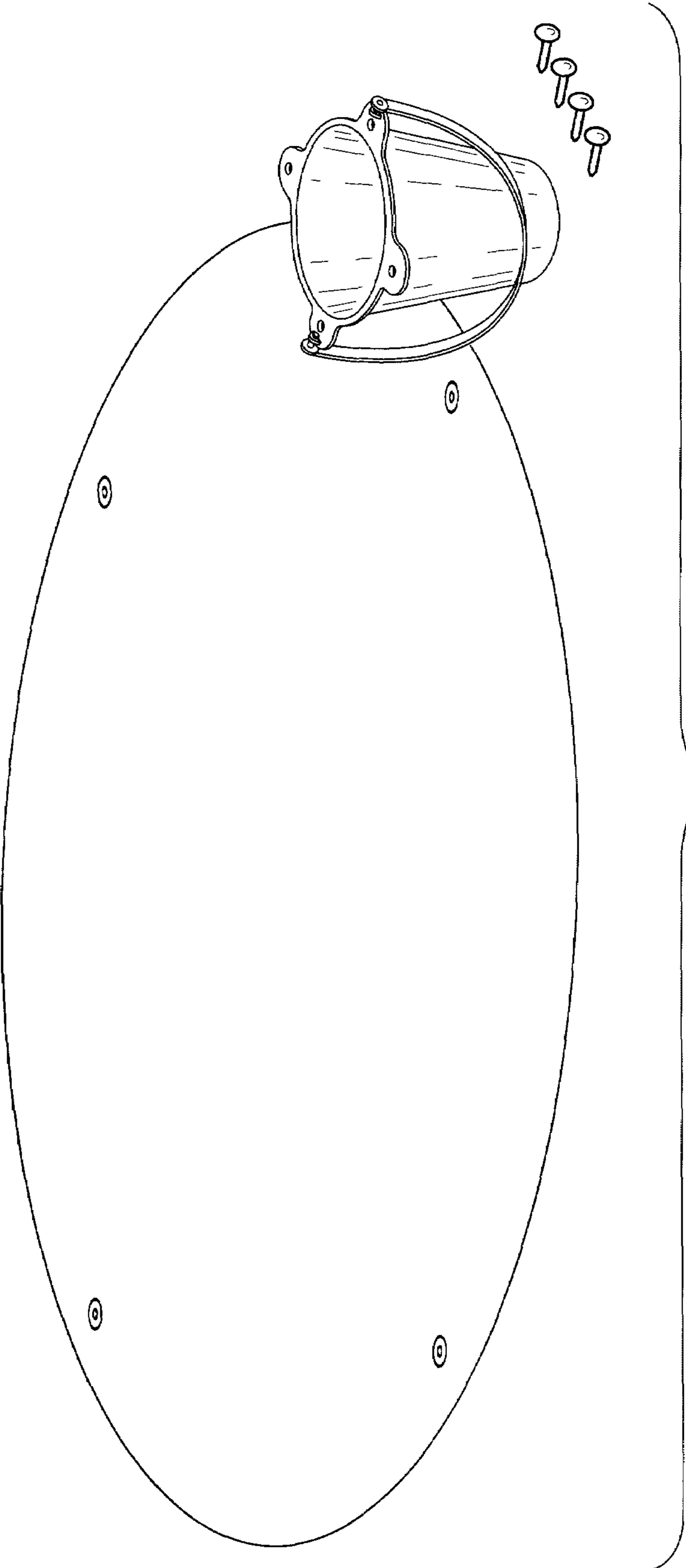


FIG. 8

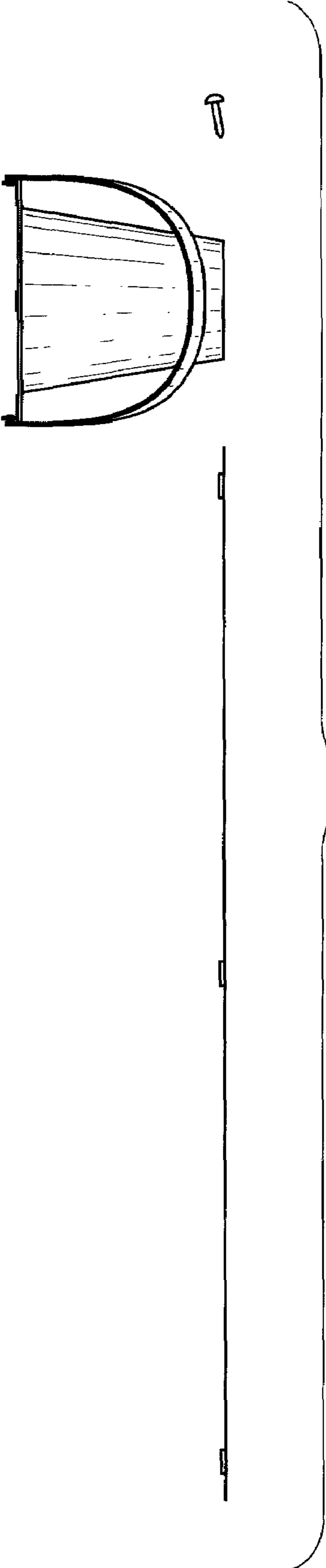


FIG. 9

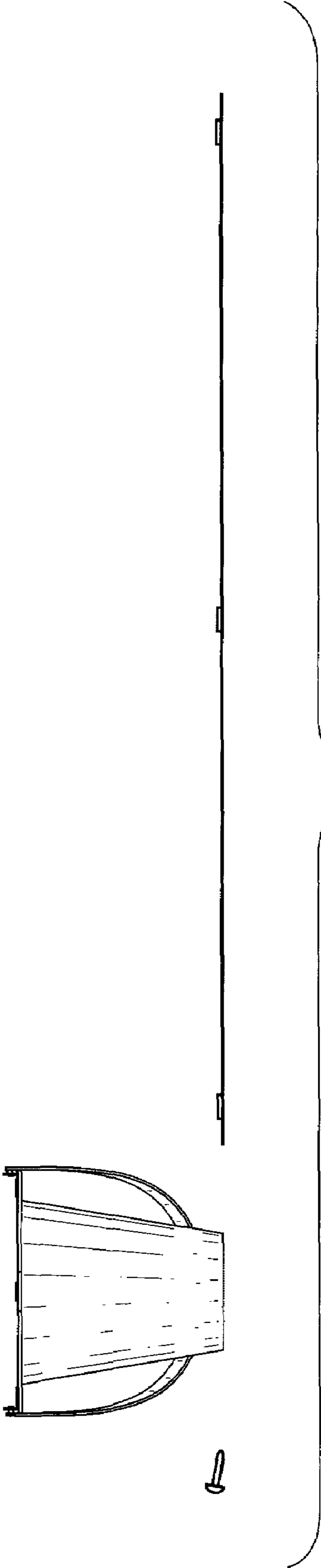


FIG. 10

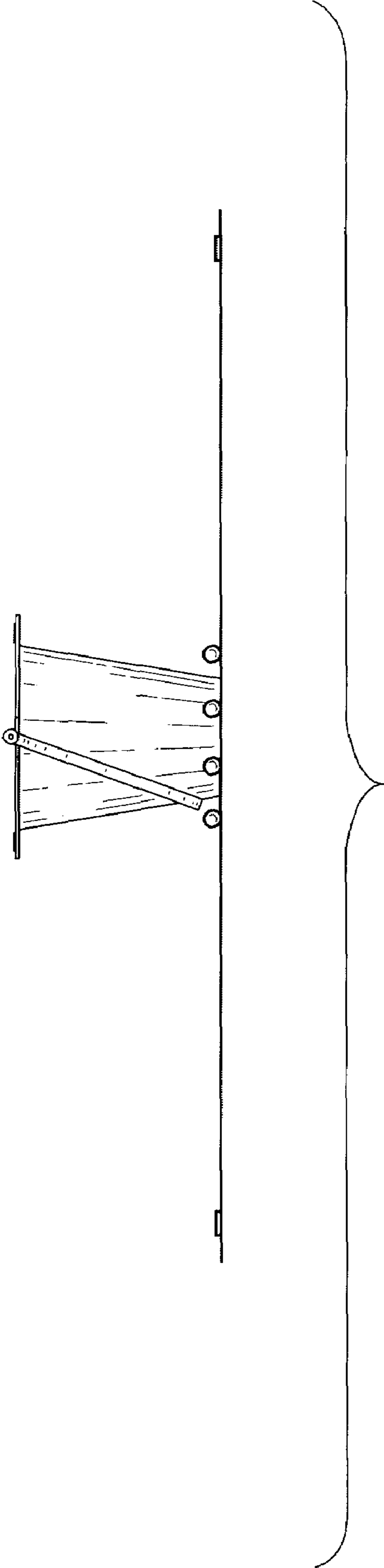


FIG. 11

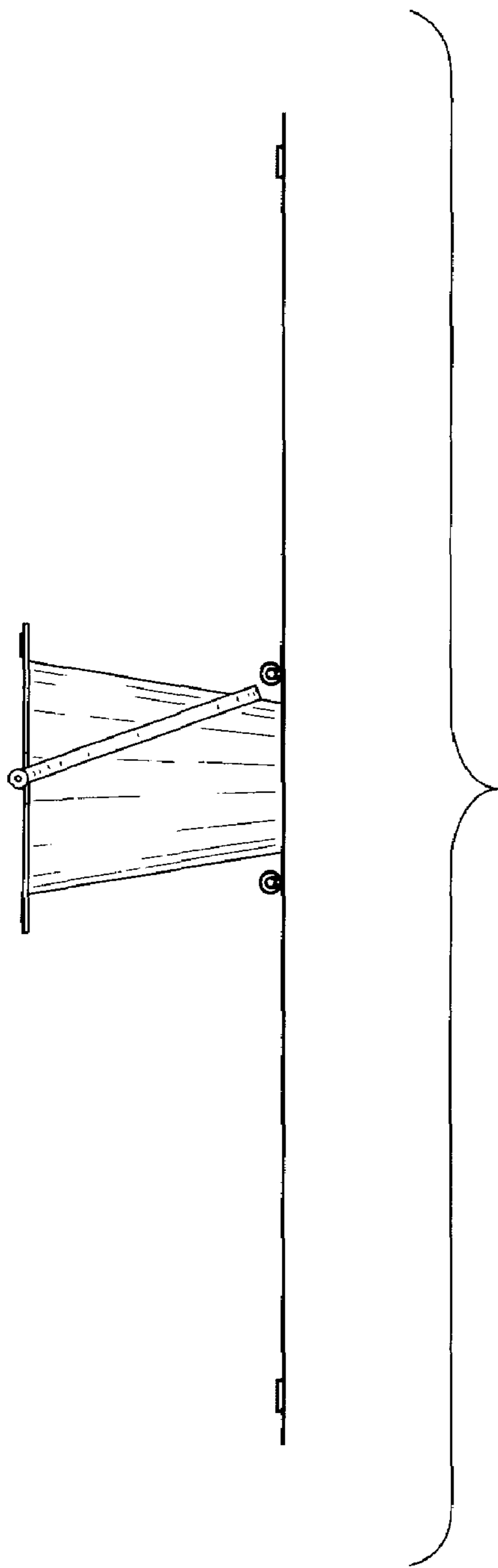


FIG. 12

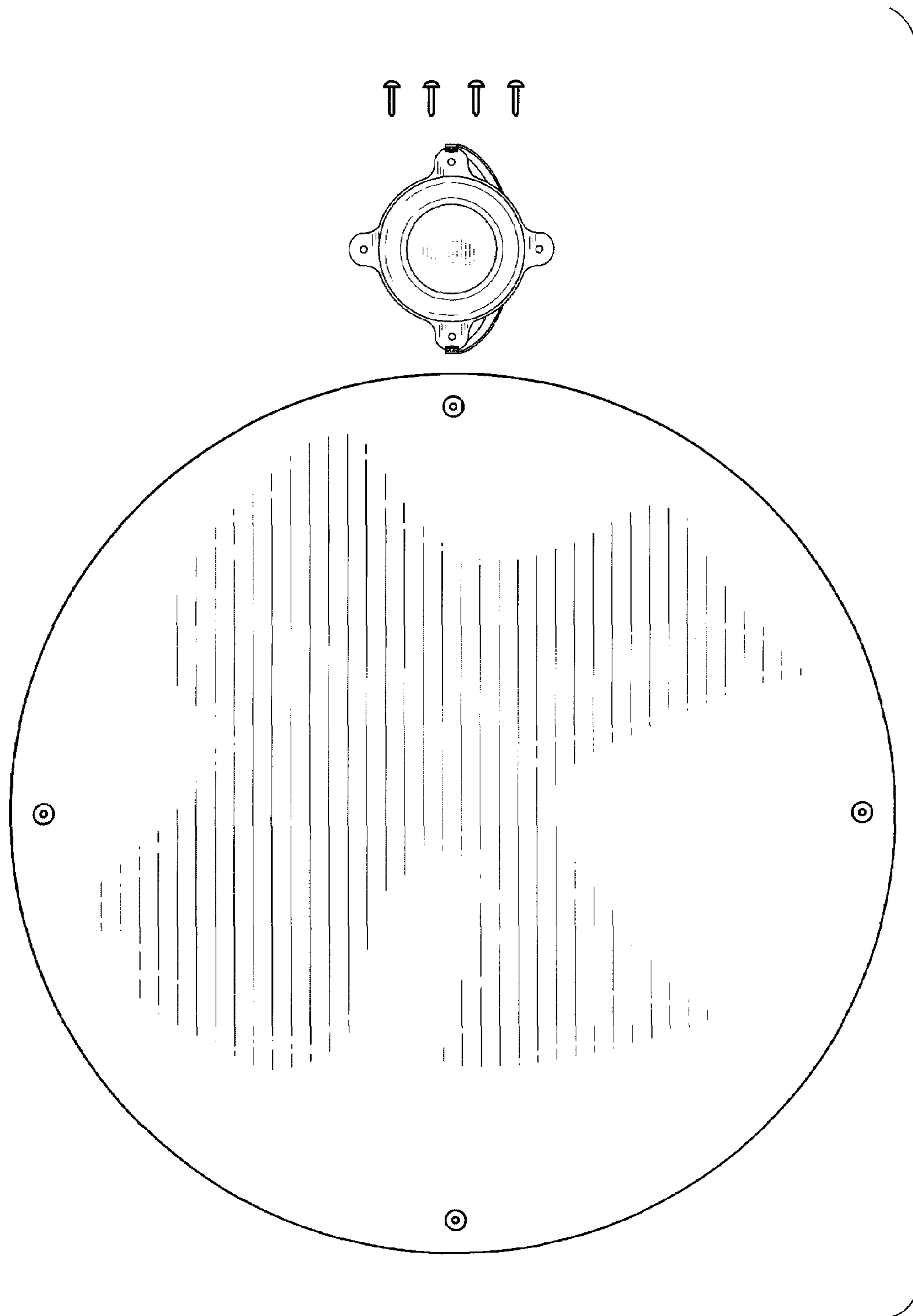


FIG. 13

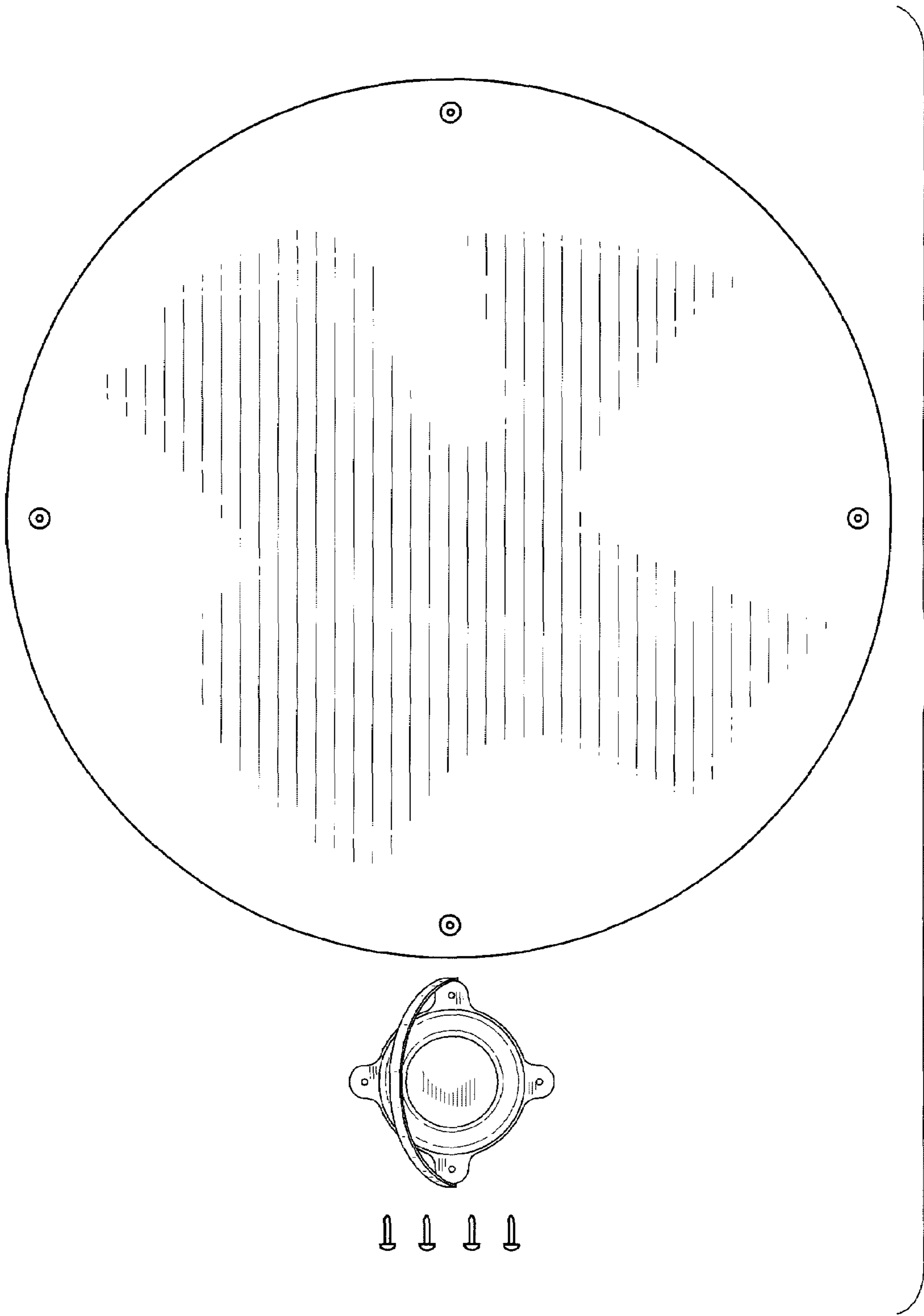


FIG. 14

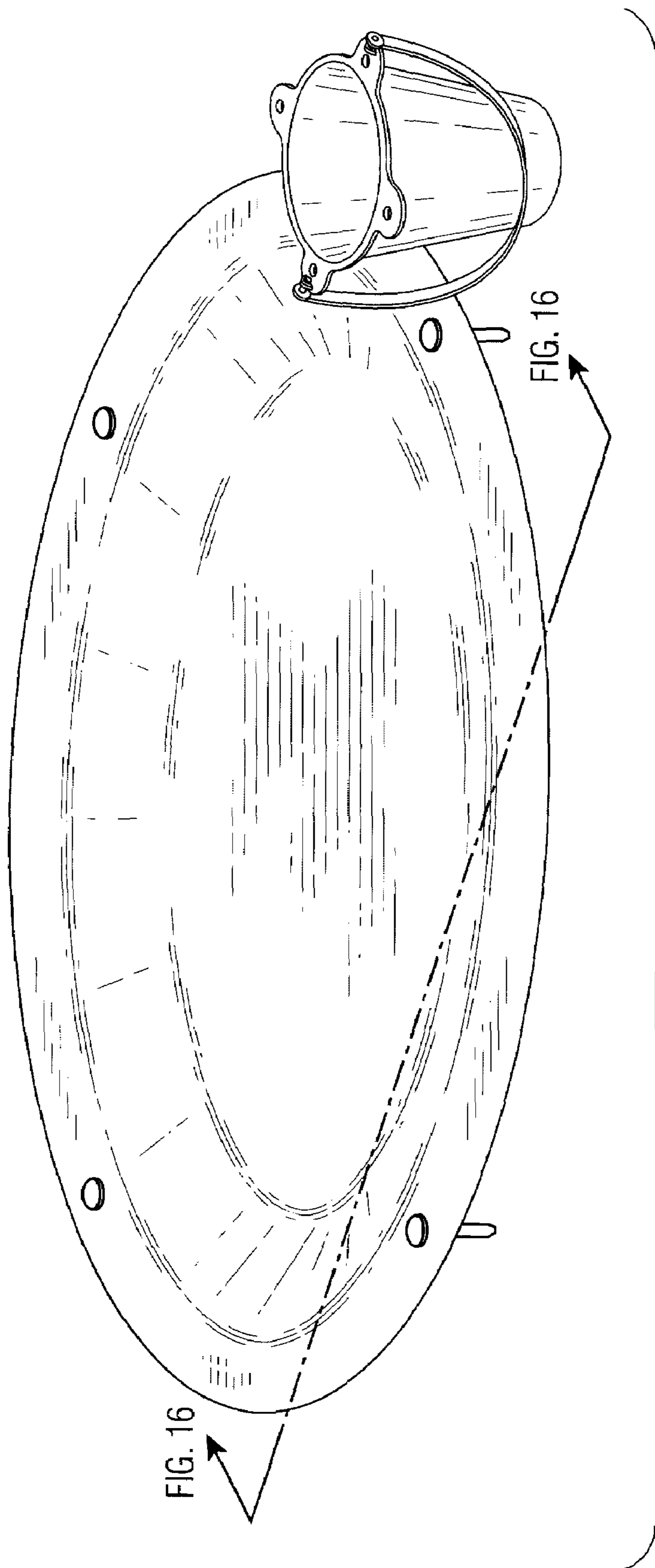


FIG. 15

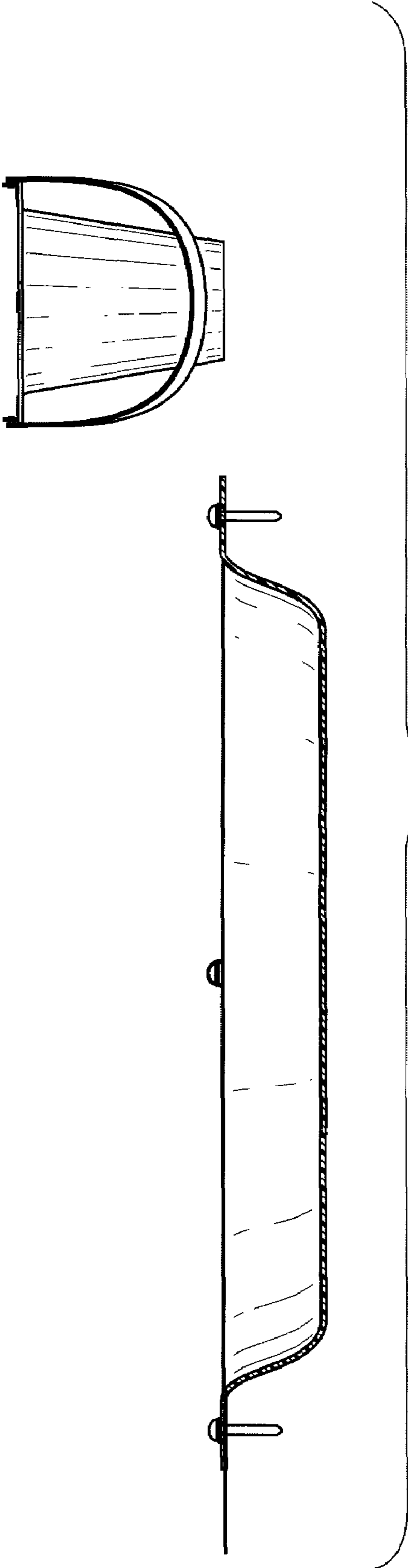


FIG. 16

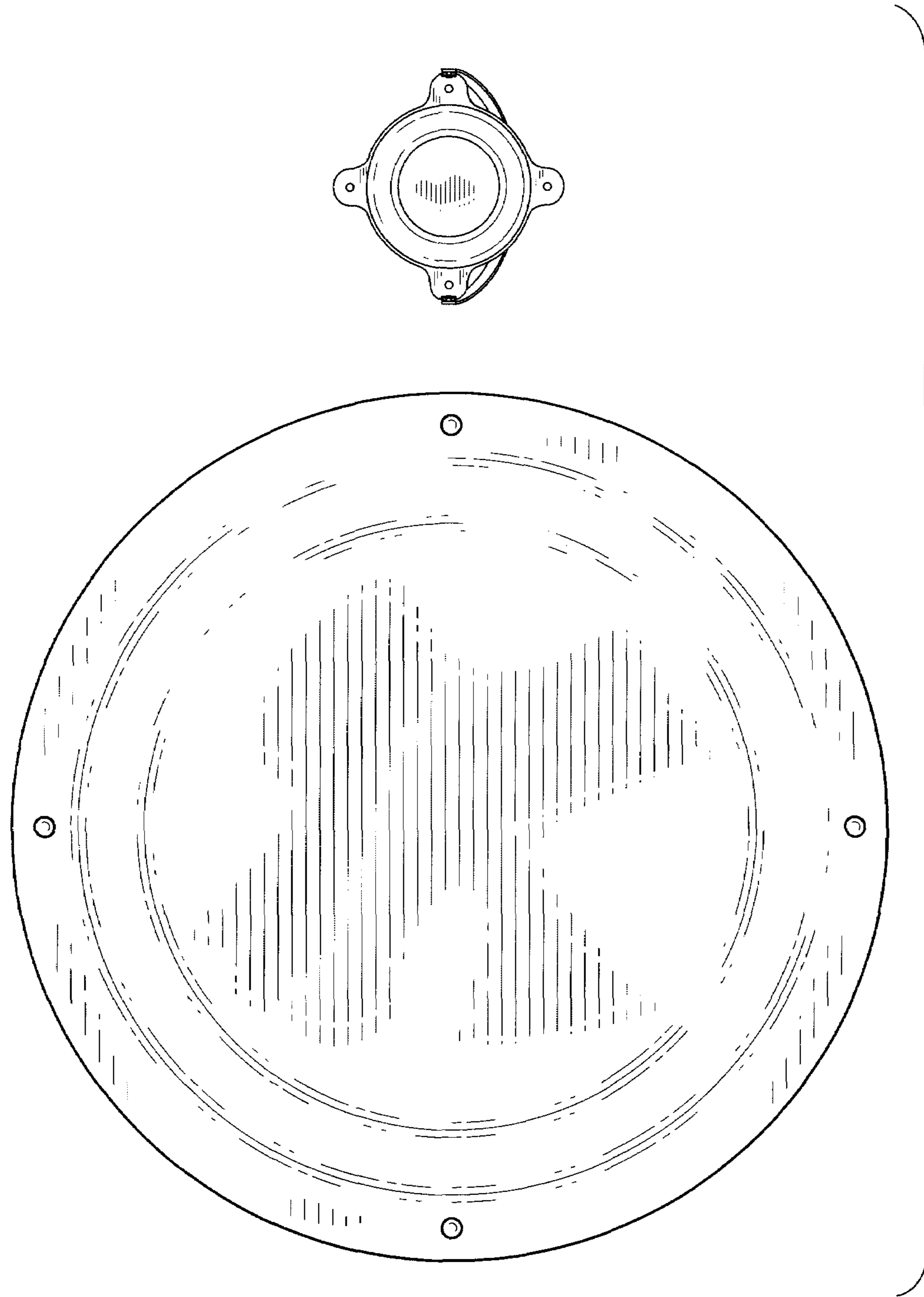


FIG. 17