



US00D587328S

(12) **United States Design Patent**  
**Sano**

(10) **Patent No.:** **US D587,328 S**

(45) **Date of Patent:** **\*\* Feb. 24, 2009**

(54) **GOLF CLUB HEAD FOR A PUTTER**

(75) Inventor: **Hitohide Sano**, Tokyo (JP)

(73) Assignee: **Sanomiso Kabushiki Kaisha Matsueten** (JP)

(\*\*) Term: **14 Years**

(21) Appl. No.: **29/291,744**

(22) Filed: **Sep. 12, 2007**

(51) **LOC (9) Cl.** ..... **21-02**

(52) **U.S. Cl.** ..... **D21/759**

(58) **Field of Classification Search** ..... D21/736-746,  
D21/753, 759; 473/324-331, 340-341, 251-256  
See application file for complete search history.

(56) **References Cited**

U.S. PATENT DOCUMENTS

D312,858 S	12/1990	Anderson et al.	.....	D21/219
D410,717 S	6/1999	Anderson	.....	D21/738
D427,263 S	6/2000	Bober	.....	D21/744
6,988,955 B2	1/2006	Stoakes	.....	473/242
D519,592 S *	4/2006	Gammon, Jr.	.....	D21/759
D533,244 S	12/2006	Kroll, Jr.	.....	D21/746
7,182,697 B2	2/2007	Zamora	.....	473/251
D538,365 S	3/2007	Torbett	.....	D21/744
D538,865 S *	3/2007	Cameron	.....	D21/736
D559,930 S *	1/2008	Cameron	.....	D21/746
D565,683 S *	4/2008	Homma	.....	D21/759
D565,684 S *	4/2008	Homma	.....	D21/759
D565,685 S *	4/2008	Homma	.....	D21/759
D565,686 S *	4/2008	Homma	.....	D21/759

\* cited by examiner

*Primary Examiner*—Mitchell I Siegel

(74) *Attorney, Agent, or Firm*—Adams & Wilks

(57) **CLAIM**

The ornamental design for a golf club head for a putter, as shown and described.

**DESCRIPTION**

The patent or application file contains at least one drawing executed in color. Copies of this patent or patent application publication with color drawing(s) will be provided by the Office upon request and payment of the necessary fee.

FIG. 1 is a top perspective view of a golf club head for a putter showing my new design;

FIG. 2 is a top view thereof;

FIG. 3 is a top view of a golf club head for a putter showing a second embodiment of my new design;

FIG. 4 is a top view of a golf club head for a putter showing a third embodiment of my new design;

FIG. 5 is a top view of a golf club head for a putter showing a fourth embodiment of my new design; and,

FIG. 6 is a top view of a golf club head for a putter showing a fifth embodiment of my new design.

The dot-dash broken lines represent the bounds of the claimed design. The broken line showing of golf club heads for putters are for environment illustrative purposes only and do not form part of the claimed design.

**1 Claim, 3 Drawing Sheets**  
**(3 of 3 Drawing Sheet(s) Filed in Color)**

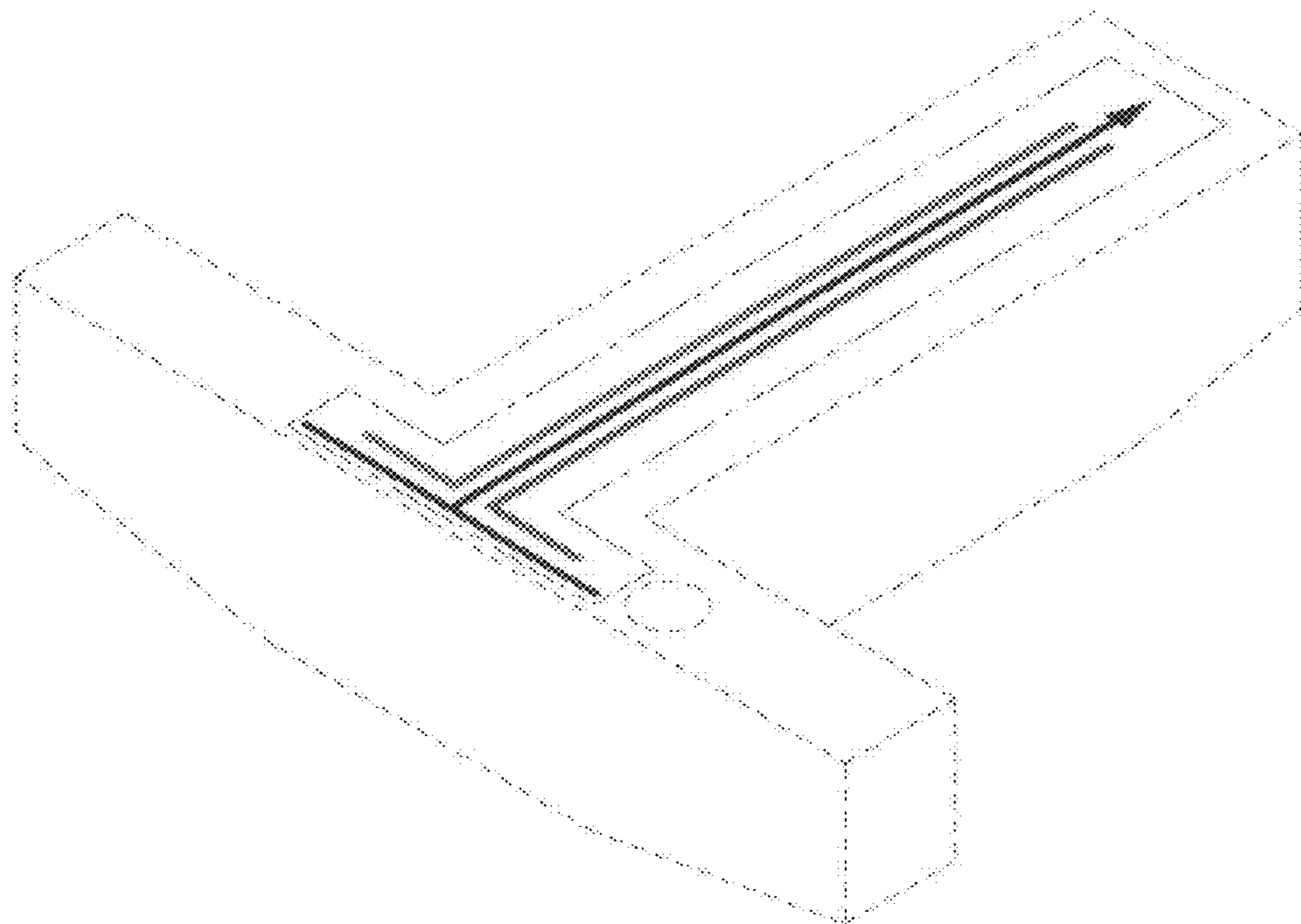


FIG. 1

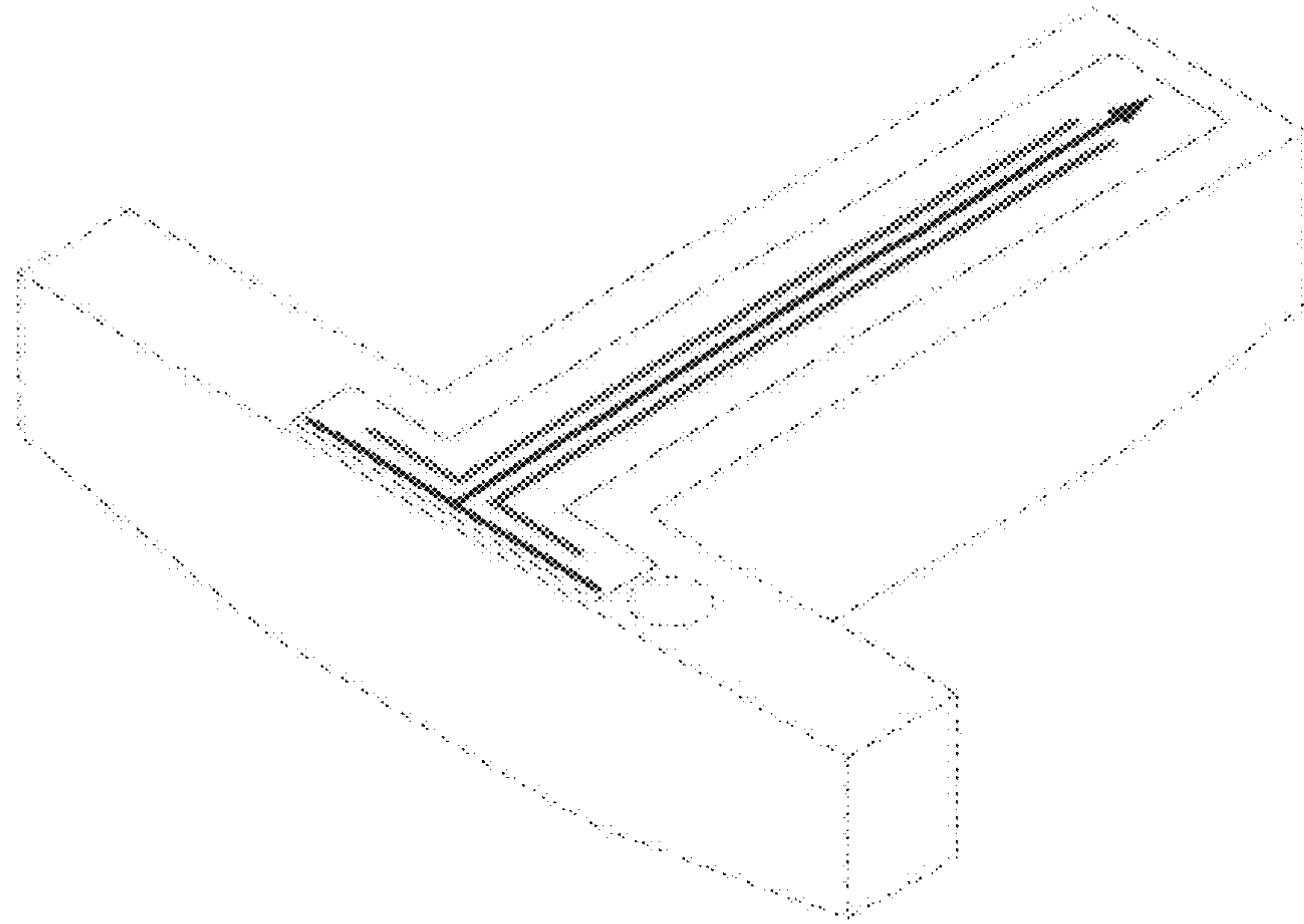


FIG. 2

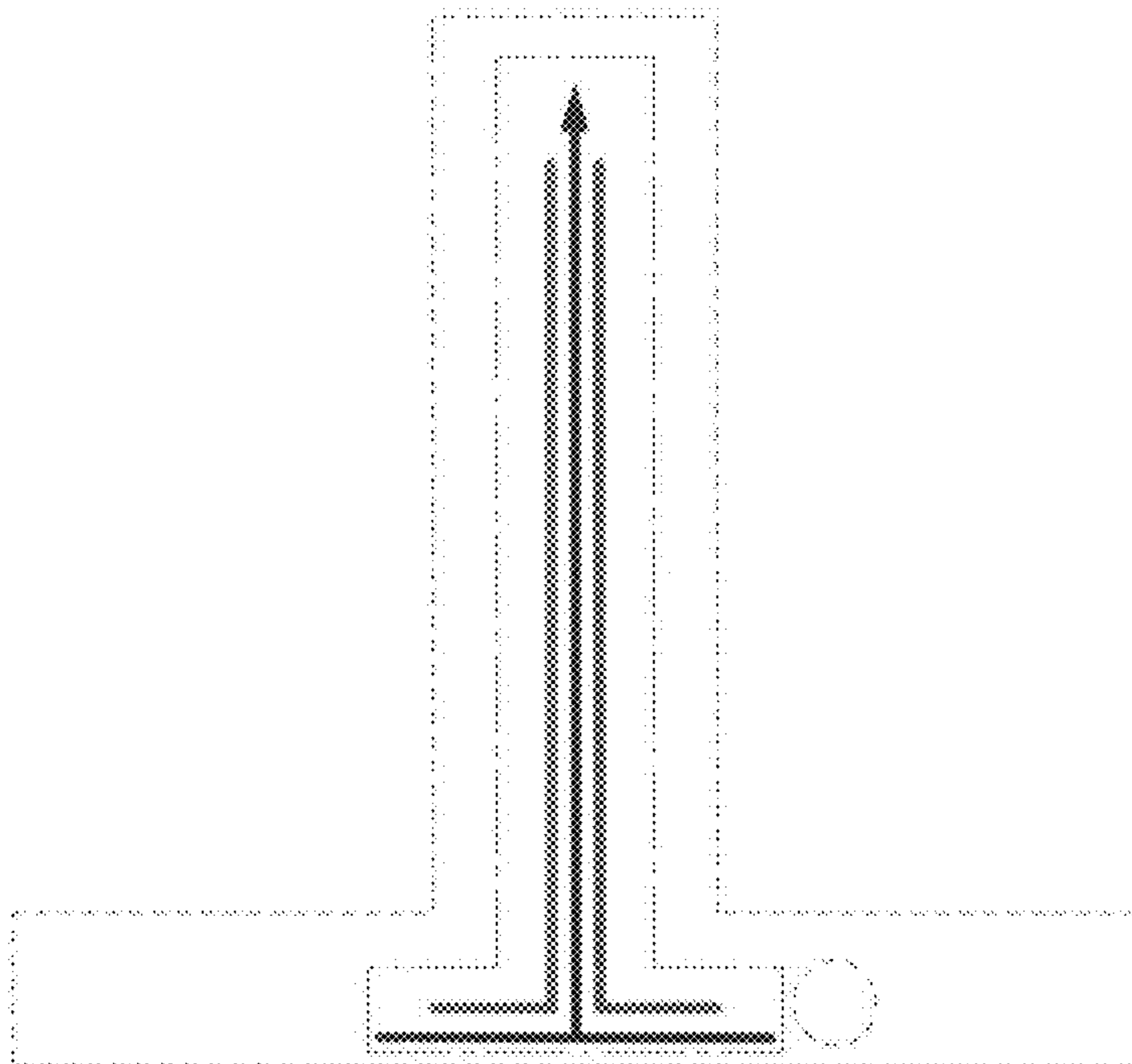


FIG. 3

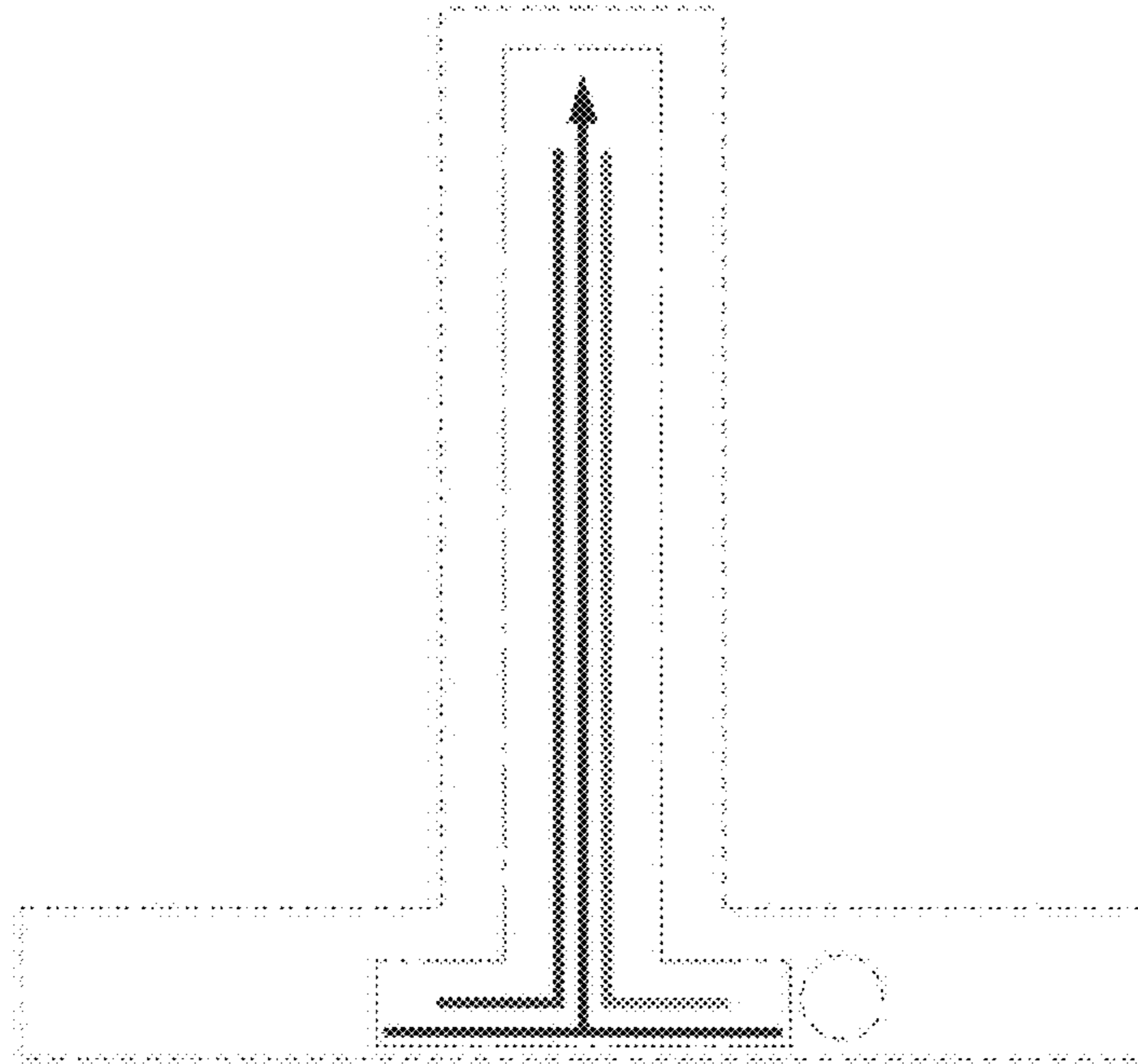


FIG. 4

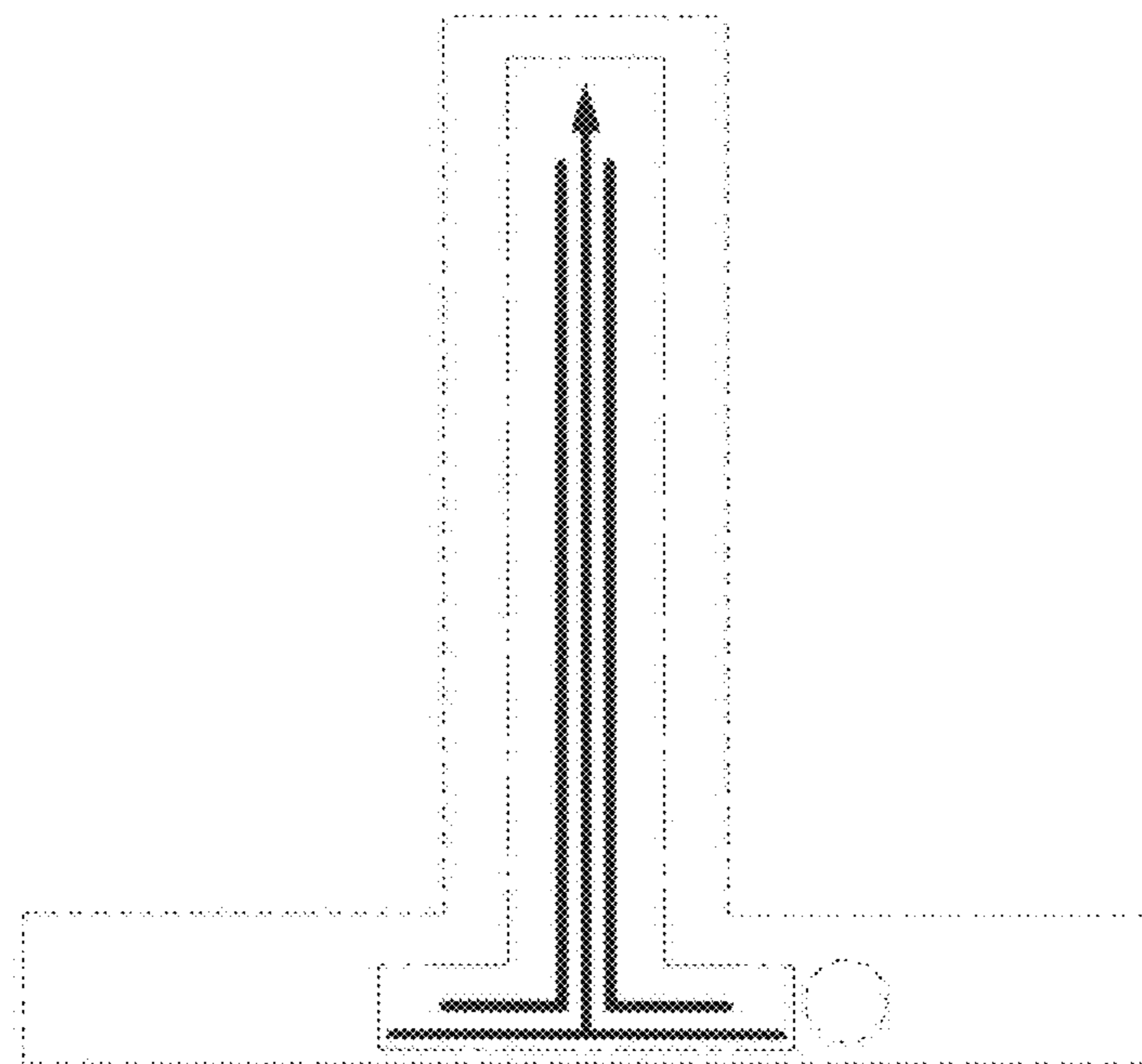


FIG. 5

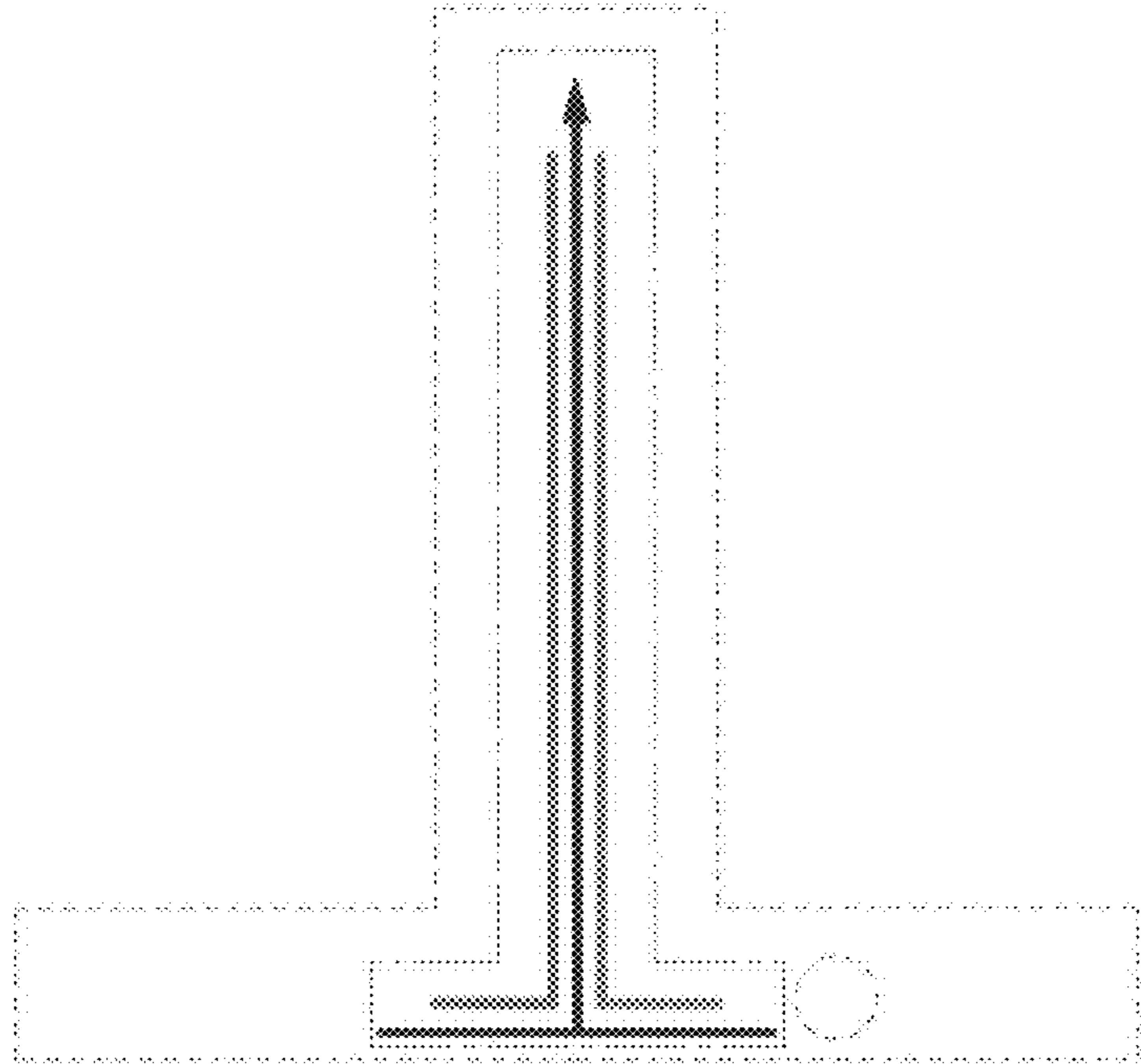


FIG. 6

