



US00D587326S

(12) **United States Design Patent**  
**Ines et al.**

(10) **Patent No.:** **US D587,326 S**  
(45) **Date of Patent:** **\*\* Feb. 24, 2009**

(54) **PUTTER HEAD**

(75) Inventors: **Marni D. Ines**, San Marcos, CA (US);  
**Bret H. Wahl**, Escondido, CA (US);  
**Dennis Bagwell**, Carlsbad, CA (US);  
**Van Kia Ma**, Escondido, CA (US); **Jose**  
**Miraflor**, Oceanside, CA (US)

(73) Assignee: **Taylor Made Golf Company, Inc.**,  
Carlsbad, CA (US)

(\*\*) Term: **14 Years**

(21) Appl. No.: **29/294,733**

(22) Filed: **Jan. 23, 2008**

(51) **LOC (9) Cl.** ..... **21-02**

(52) **U.S. Cl.** ..... **D21/746**

(58) **Field of Classification Search** ..... D21/736-746;  
473/324-331, 340-341

See application file for complete search history.

(56) **References Cited**

U.S. PATENT DOCUMENTS

5,533,728	A	7/1996	Pehoski et al.	
5,643,109	A	7/1997	Rose et al.	
5,685,784	A	11/1997	Butler	
6,350,208	B1	2/2002	Ford	
D488,200	S	4/2004	Olsavsky et al.	
D488,526	S *	4/2004	Souza et al.	D21/738
D507,612	S *	7/2005	Souza et al.	D21/738
D521,582	S *	5/2006	Souza et al.	D21/743

D538,364	S *	3/2007	Frame et al.	D21/736
D541,362	S	4/2007	Oldknow	
D542,873	S *	5/2007	Oldknow	D21/759
D569,460	S *	5/2008	Walker et al.	D21/743
D569,461	S *	5/2008	Morris	D21/744

\* cited by examiner

*Primary Examiner*—Mitchell I Siegel

(74) *Attorney, Agent, or Firm*—Klarquist Sparkman, LLP

(57) **CLAIM**

We claim the ornamental design for a putter head, as shown and described.

**DESCRIPTION**

FIG. 1 is a perspective view of a putter head, as viewed from the front, top and one side thereof, according to one embodiment.

FIG. 2 is a front elevation view of the putter head of FIG. 1.

FIG. 3 is a side elevation view of one side of the putter head of FIG. 1.

FIG. 4 is a side elevation view of the other side of the putter head of FIG. 1.

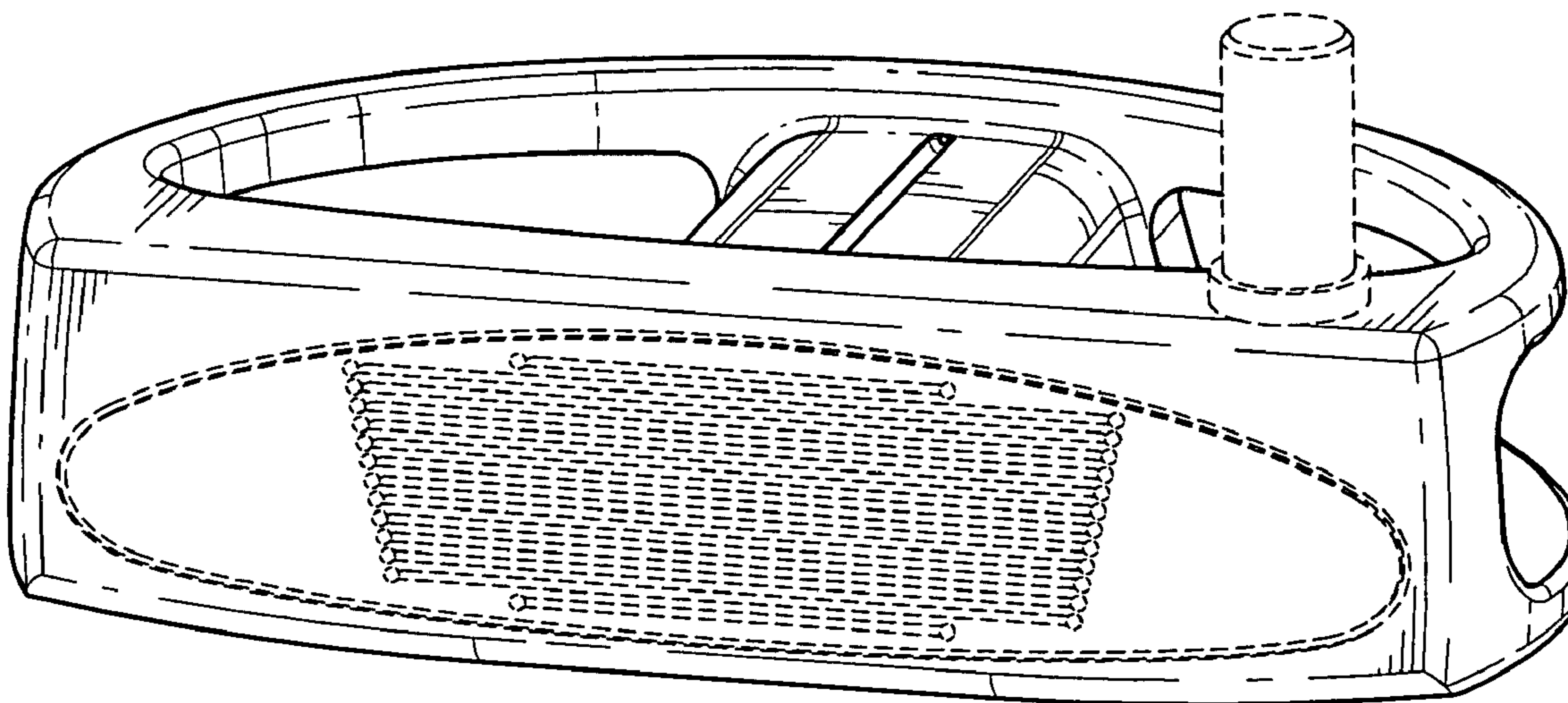
FIG. 5 is a rear elevation view of the putter head of FIG. 1.

FIG. 6 is a top plan view of the putter head of FIG. 1; and,

FIG. 7 is a bottom plan view of the putter head of FIG. 1.

The dashed lines in the drawings are for illustrative purposes only and form no part of the claimed design.

**1 Claim, 7 Drawing Sheets**



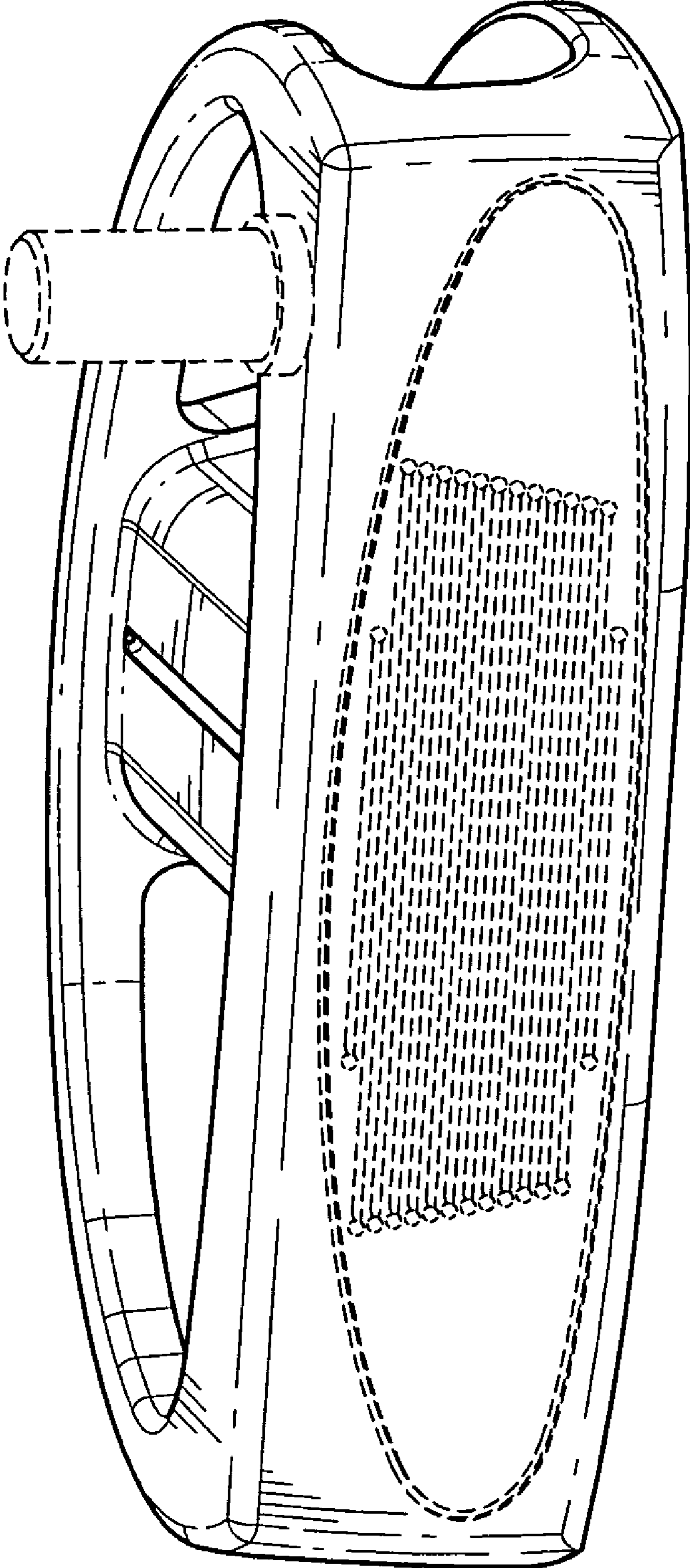


FIG. 1

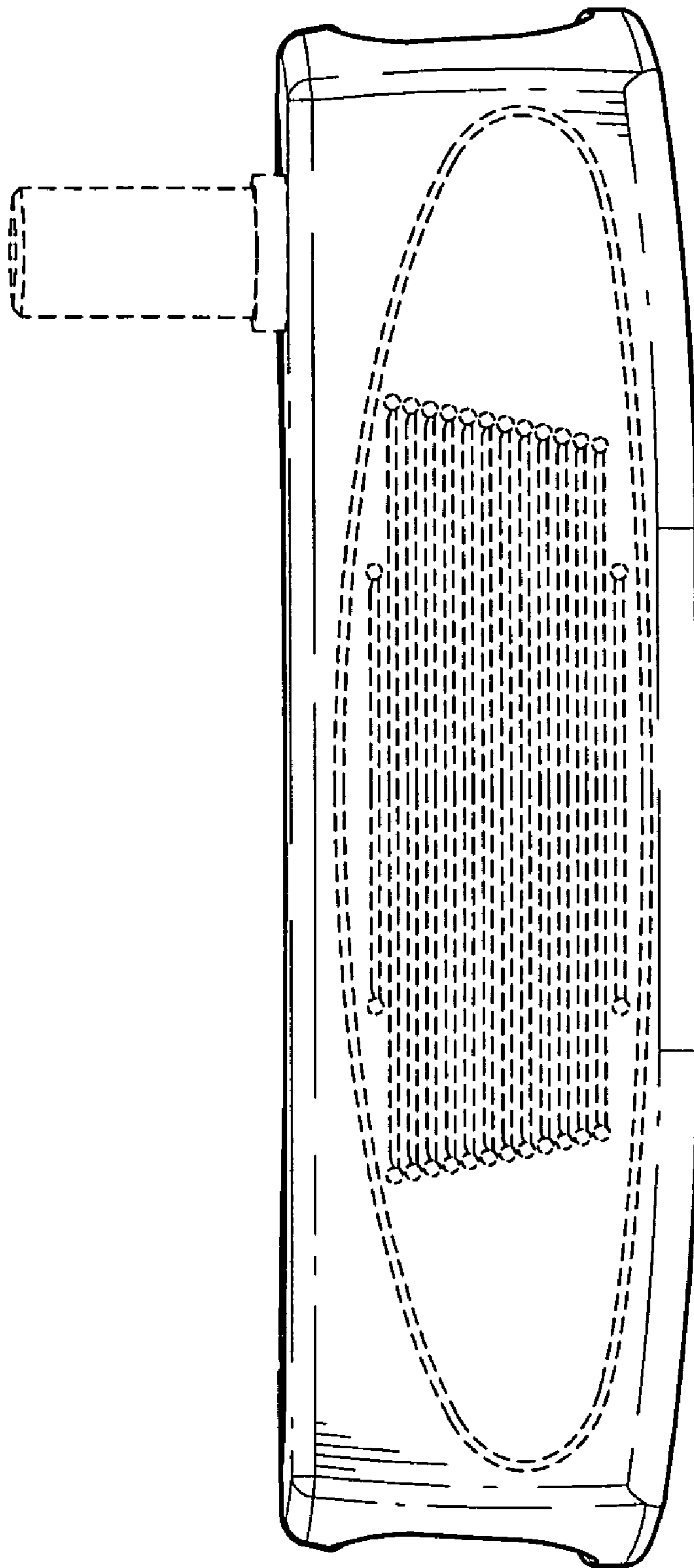


FIG. 2

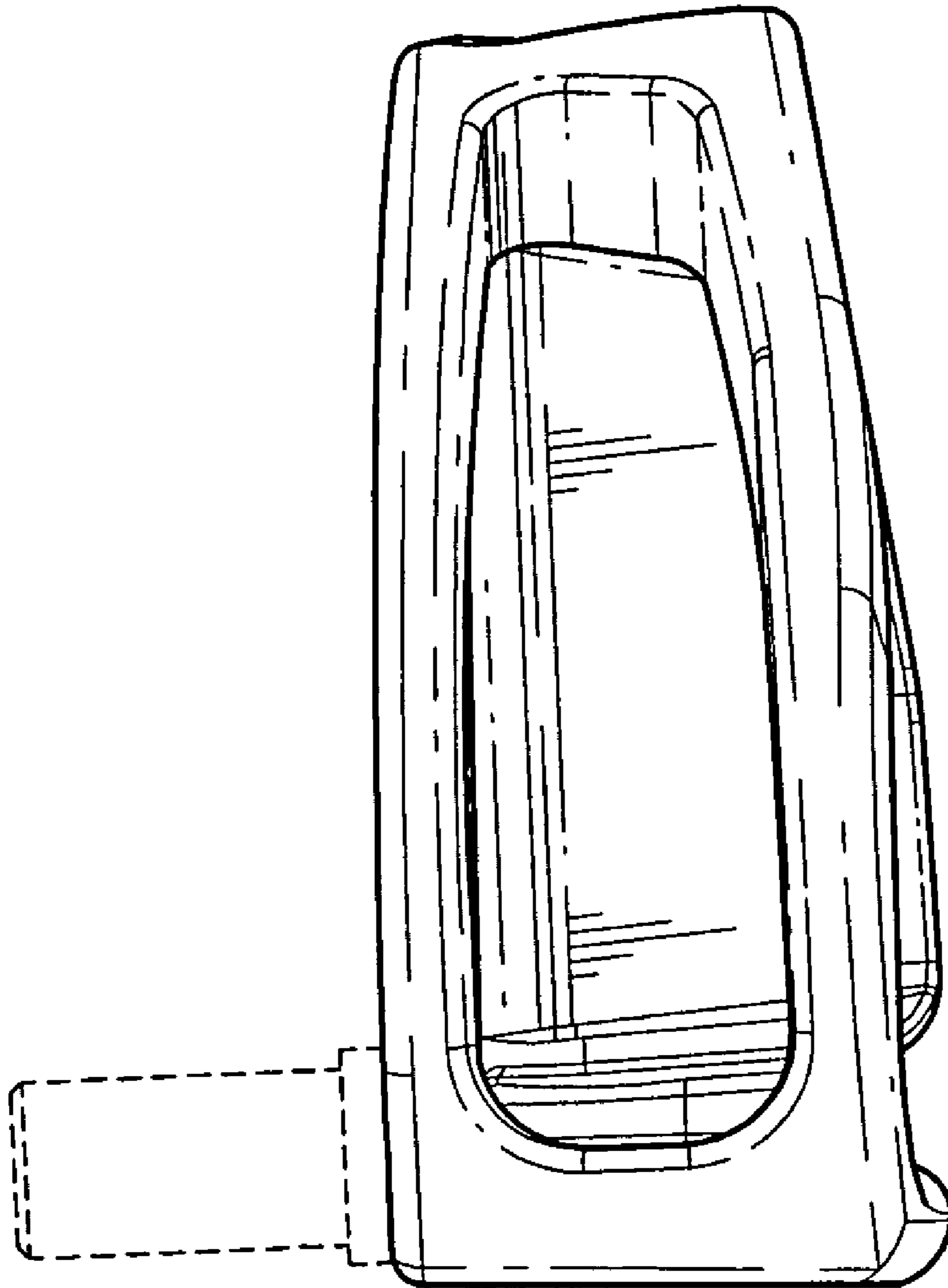


FIG. 3

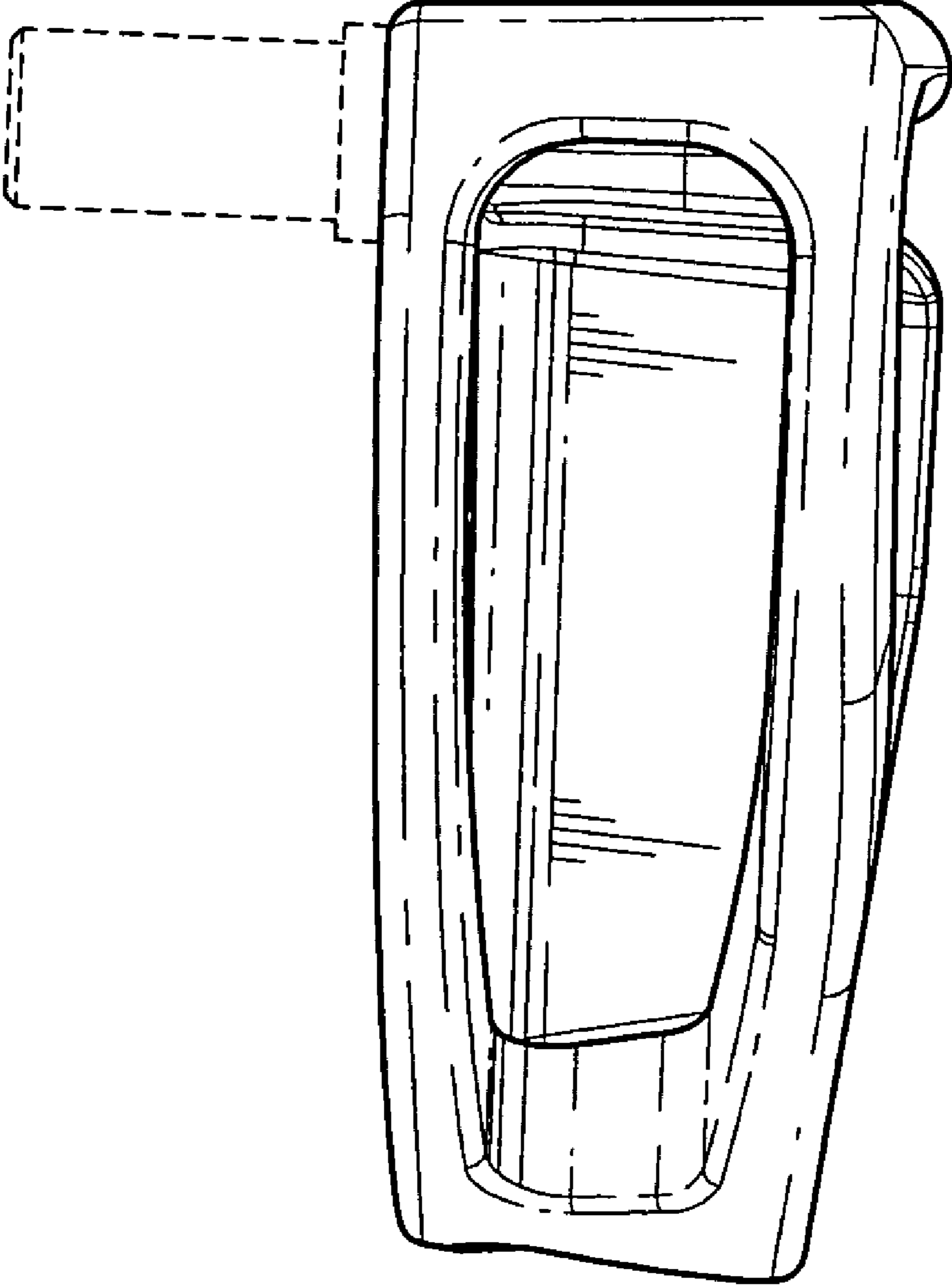


FIG. 4

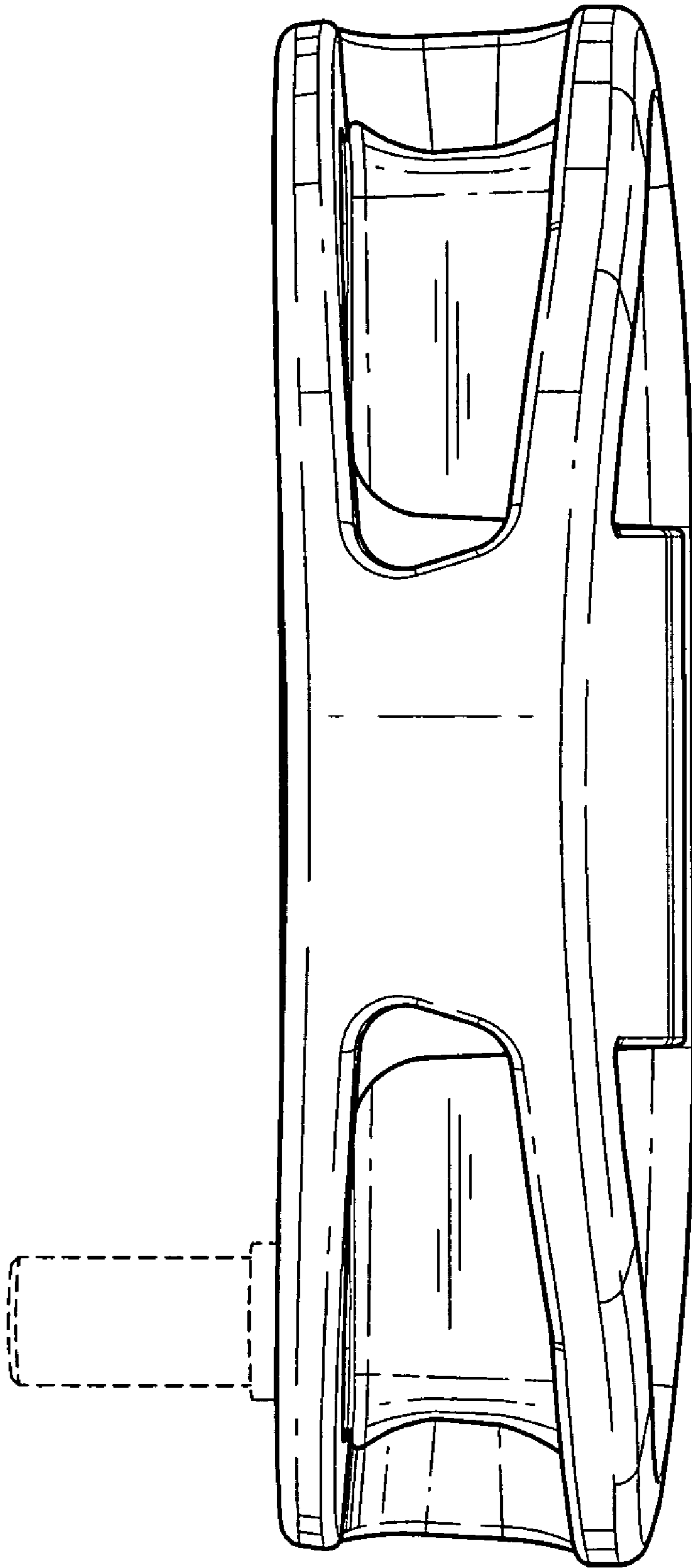


FIG. 5

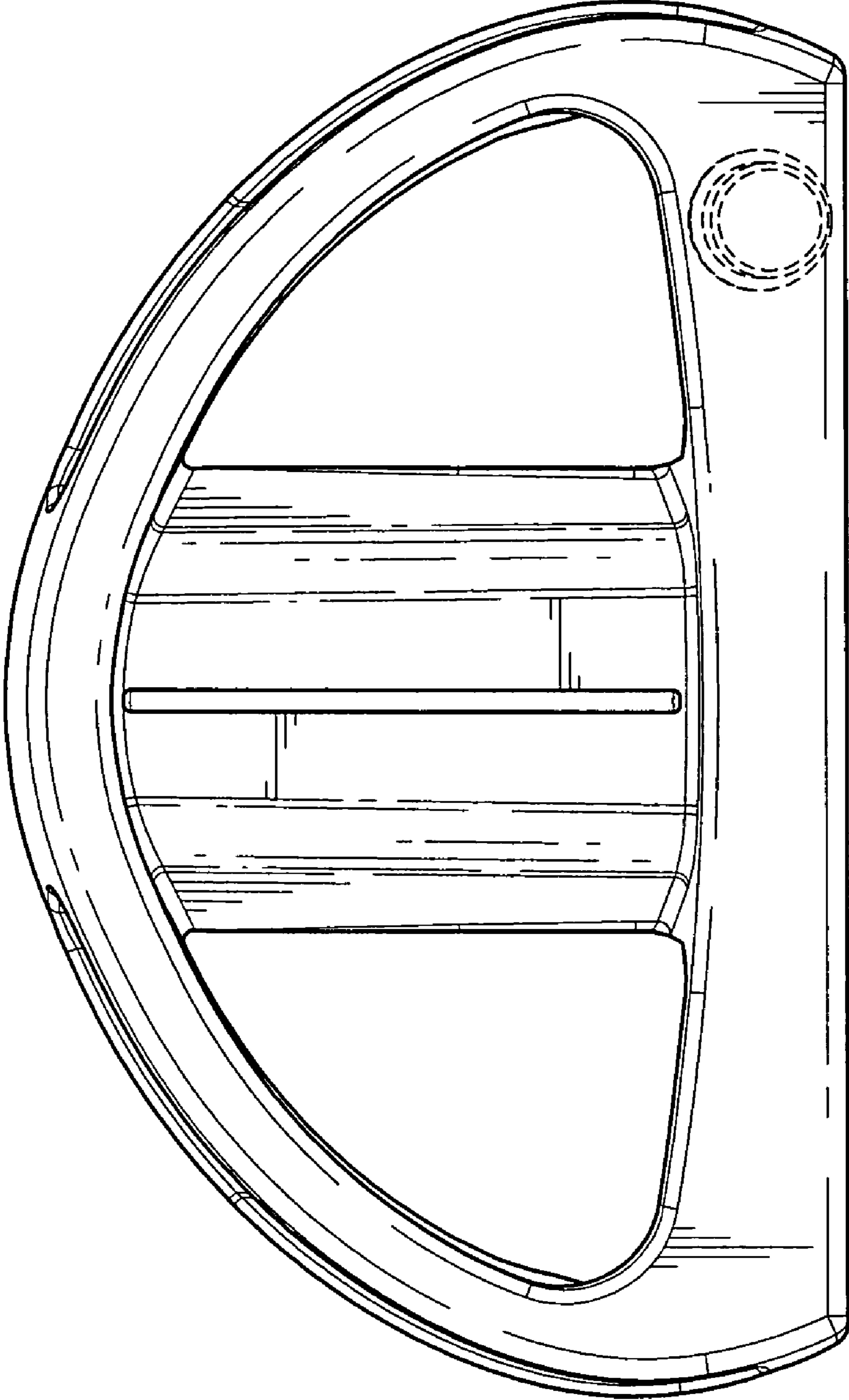


FIG. 6

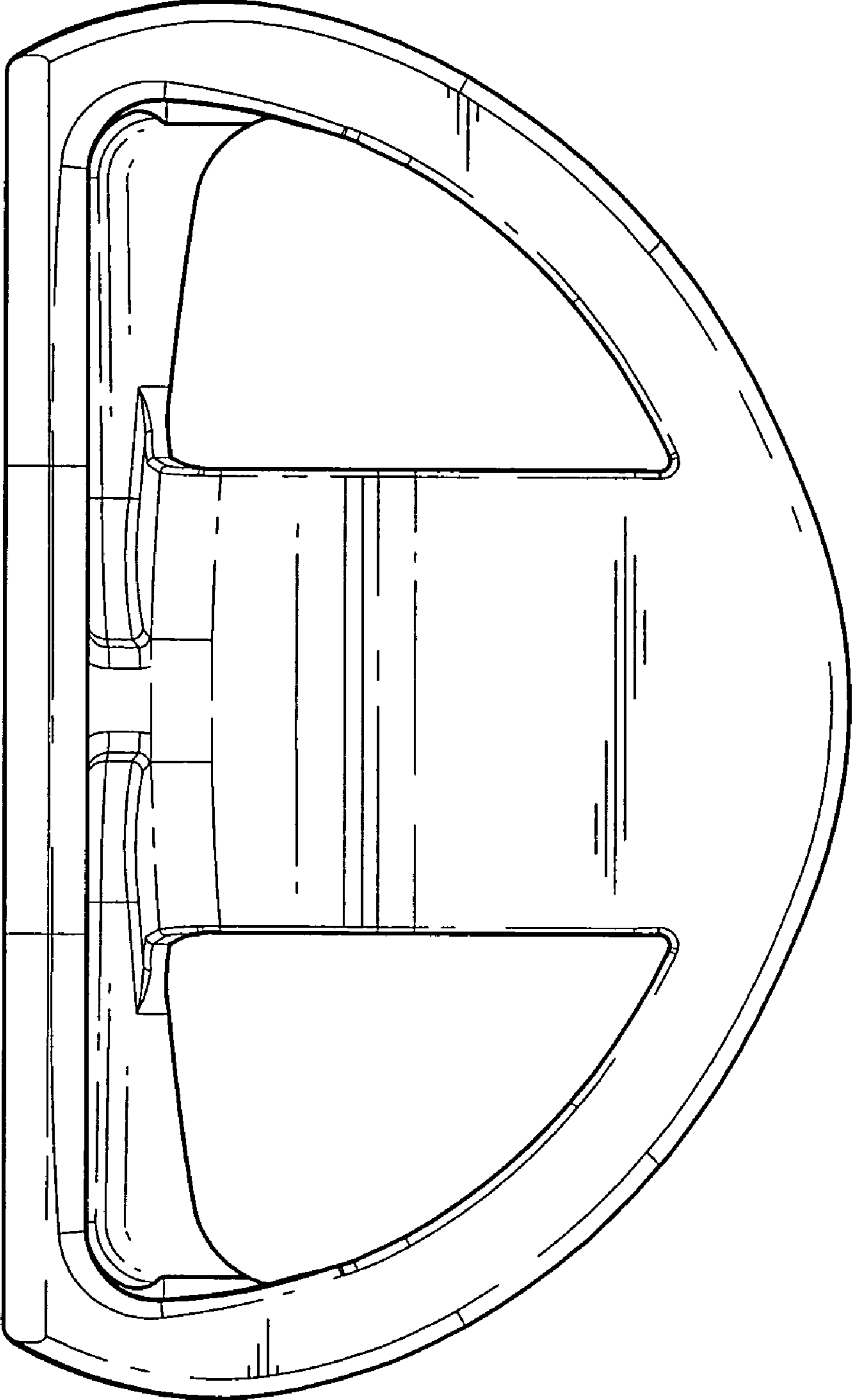


FIG. 7