



US00D587325S

(12) **United States Design Patent**
Solheim et al.

(10) **Patent No.:** **US D587,325 S**
(45) **Date of Patent:** **** Feb. 24, 2009**

(54) **GOLF CLUB HEAD**

Primary Examiner—Mitchell I Siegel

(75) Inventors: **John A. Solheim**, Phoenix, AZ (US);
Richard R. Sanchez, New River, AZ
(US); **John C. Souza**, Phoenix, AZ (US)

(57) **CLAIM**

The ornamental design for a golf club head, as shown and described.

(73) Assignee: **Karsten Manufacturing Corporation**,
Phoenix, AZ (US)

DESCRIPTION

(**) Term: **14 Years**

(21) Appl. No.: **29/322,717**

(22) Filed: **Aug. 11, 2008**

(51) **LOC (9) Cl.** **21-02**

(52) **U.S. Cl.** **D21/736**

(58) **Field of Classification Search** D21/736-746,
D21/759; 473/324-331, 340-341, 251-256
See application file for complete search history.

FIG. 1 is a top perspective view of a golf club head;
FIG. 2 is a bottom perspective view of the golf club head of FIG. 1;
FIG. 3 is a front elevational view of the golf club head of FIG. 1;
FIG. 4 is a rear elevational view of the golf club head of FIG. 1;
FIG. 5 is a top view of the golf club head of FIG. 1;
FIG. 6 is a bottom view of the golf club head of FIG. 1;
FIG. 7 is a left side view of the golf club head of FIG. 1;
FIG. 8 is a right side view of the golf club head of FIG. 1;
FIG. 9 is a second embodiment of a top perspective front view of a golf club head;
FIG. 10 is a bottom perspective view of the golf club head of FIG. 9;
FIG. 11 is a front elevational view of the golf club head of FIG. 9;
FIG. 12 is a rear elevational view of the golf club head of FIG. 9;
FIG. 13 is a top view of the golf club head of FIG. 9;
FIG. 14 is a bottom view of the golf club head of FIG. 9;
FIG. 15 is a left side view of the golf club head of FIG. 9; and,
FIG. 16 is a right side view of the golf club head of FIG. 9.

(56) **References Cited**

U.S. PATENT DOCUMENTS

D316,129 S 4/1991 Bryson

(Continued)

OTHER PUBLICATIONS

Stina Sternberg and Ashley Mayo, "2008 Spring Equipment Preview," *Golf for Women*, May-Jun. 2008 at 114.

Stina Sterberg, "Hot List 2008—Putters," *Golf Digest*, Feb. 2008 at 158-169, also available at <http://www.golfdigest.com/equipment/ratings>.

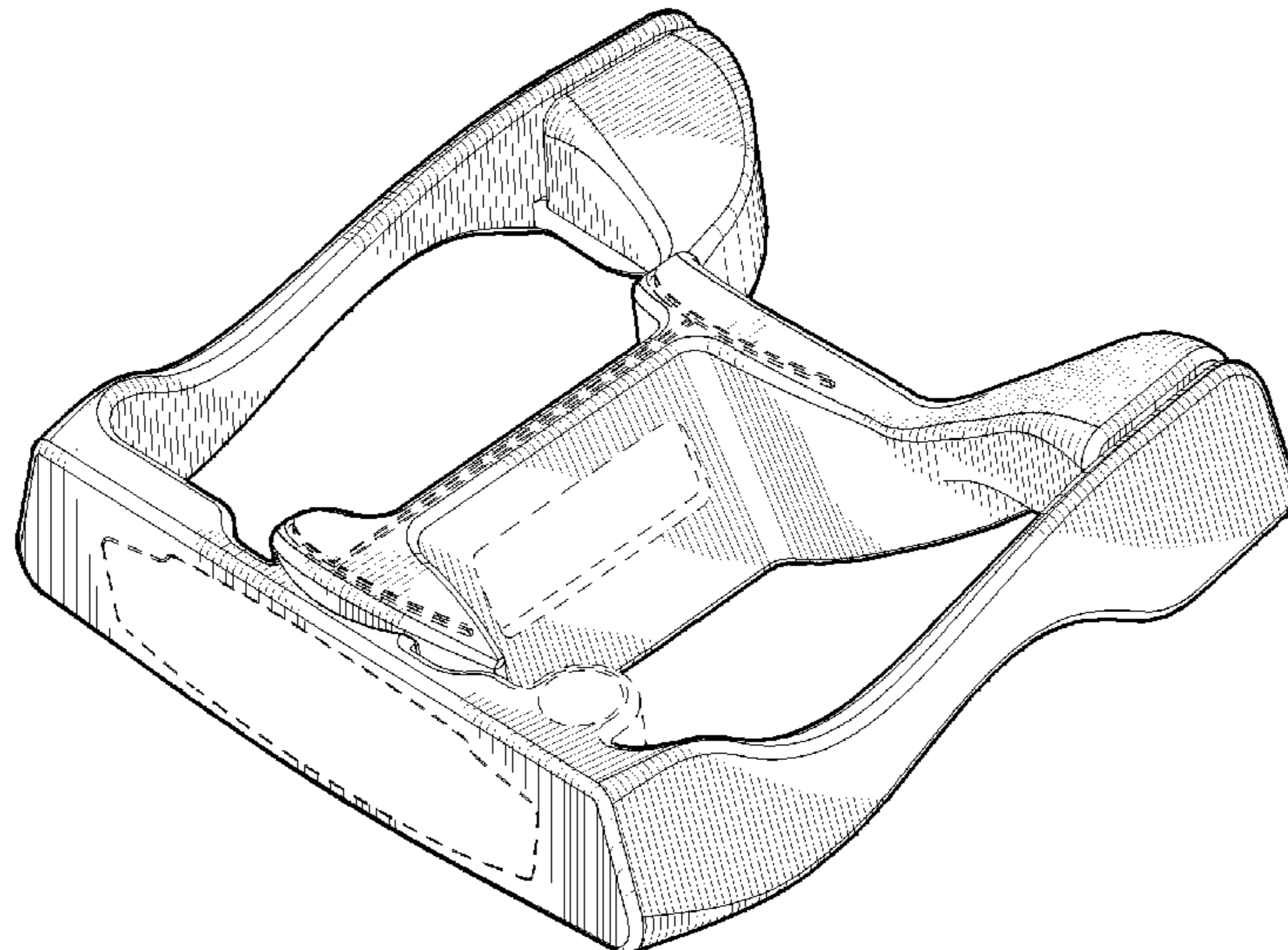
John A. Solheim, et al., "Golf Club Heads with a Three-Dimensional Alignment Member and Methods to Manufacture Golf Club Heads," U.S. Appl. No. 61/048,679, filed Apr. 29, 2008.

John A. Solheim, et al., "Golf Club Heads with a Three-Dimensional Alignment Aid and Method of Manufacture," U.S. Appl. No. 12/164,956, filed Jun. 30, 2008.

John A. Solheim, et al., "Golf Club Head," U.S. Appl. No. 29/322,719, filed Aug. 11, 2008.

The broken lines shown in one or more of the figures are for illustrative purposes only and form no part of the claimed design.

1 Claim, 8 Drawing Sheets



US D587,325 S

Page 2

U.S. PATENT DOCUMENTS

D502,236 S *	2/2005	Grace	D21/743	D528,616 S *	9/2006	Grace	D21/743
D513,776 S *	1/2006	Grace	D21/736	D529,108 S	9/2006	Stites et al.	
D520,584 S *	5/2006	Karlsen	D21/743	D538,364 S *	3/2007	Frame et al.	D21/736
7,048,639 B2 *	5/2006	Grace	473/251	D548,295 S *	8/2007	Jertson et al.	D21/736
7,052,411 B2	5/2006	Solheim et al.		7,255,650 B2	8/2007	Braynt et al.	
7,077,758 B2	7/2006	Rohrer		D583,003 S *	12/2008	Solheim et al.	D21/759
D527,777 S	9/2006	Solheim et al.		2006/0094533 A1	5/2006	Warren et al.	
D528,177 S *	9/2006	Grace	D21/743	2006/0166755 A1	7/2006	Brown	
				2007/0191135 A1	8/2007	Nilsson et al.	

* cited by examiner

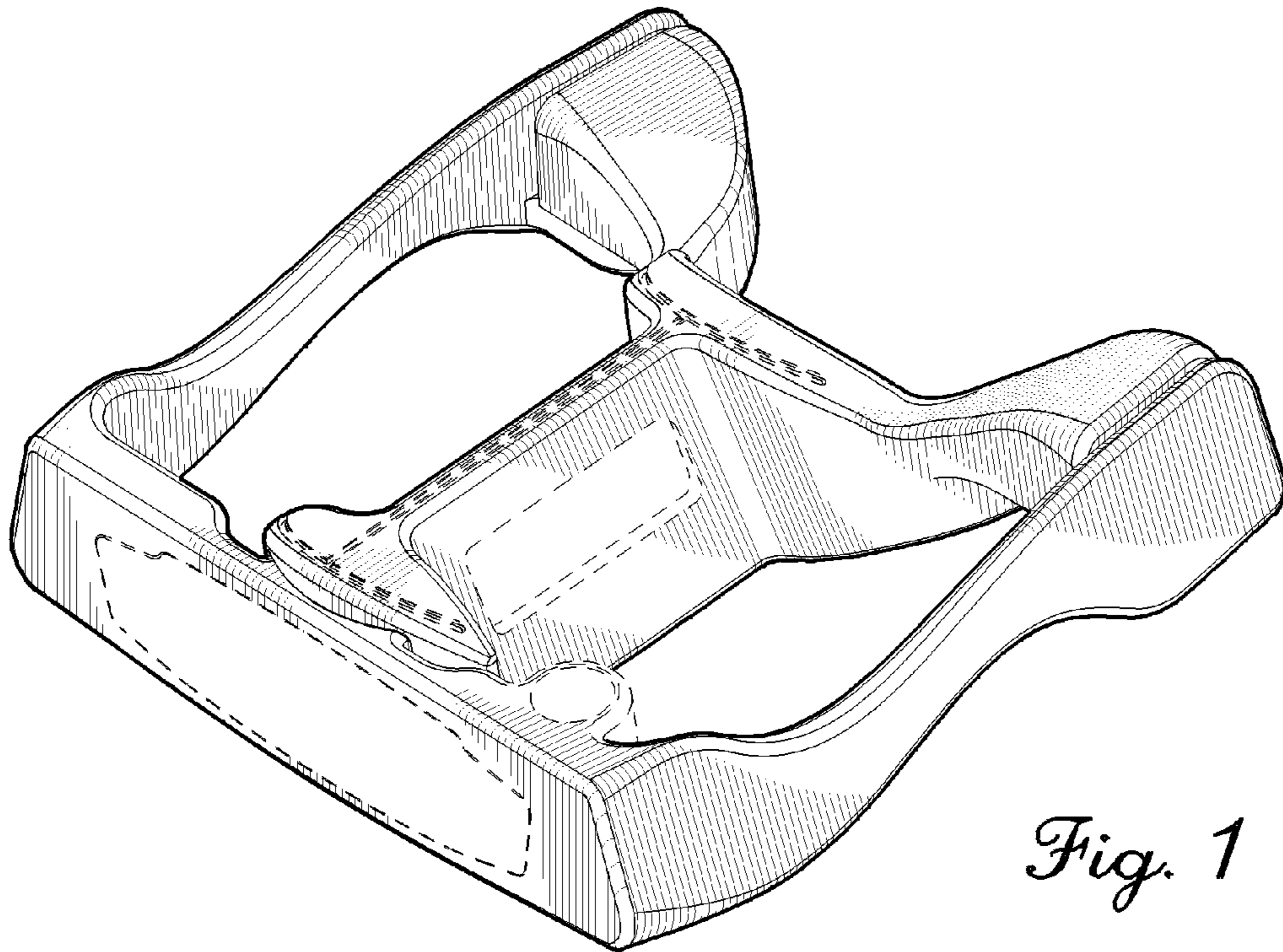


Fig. 1

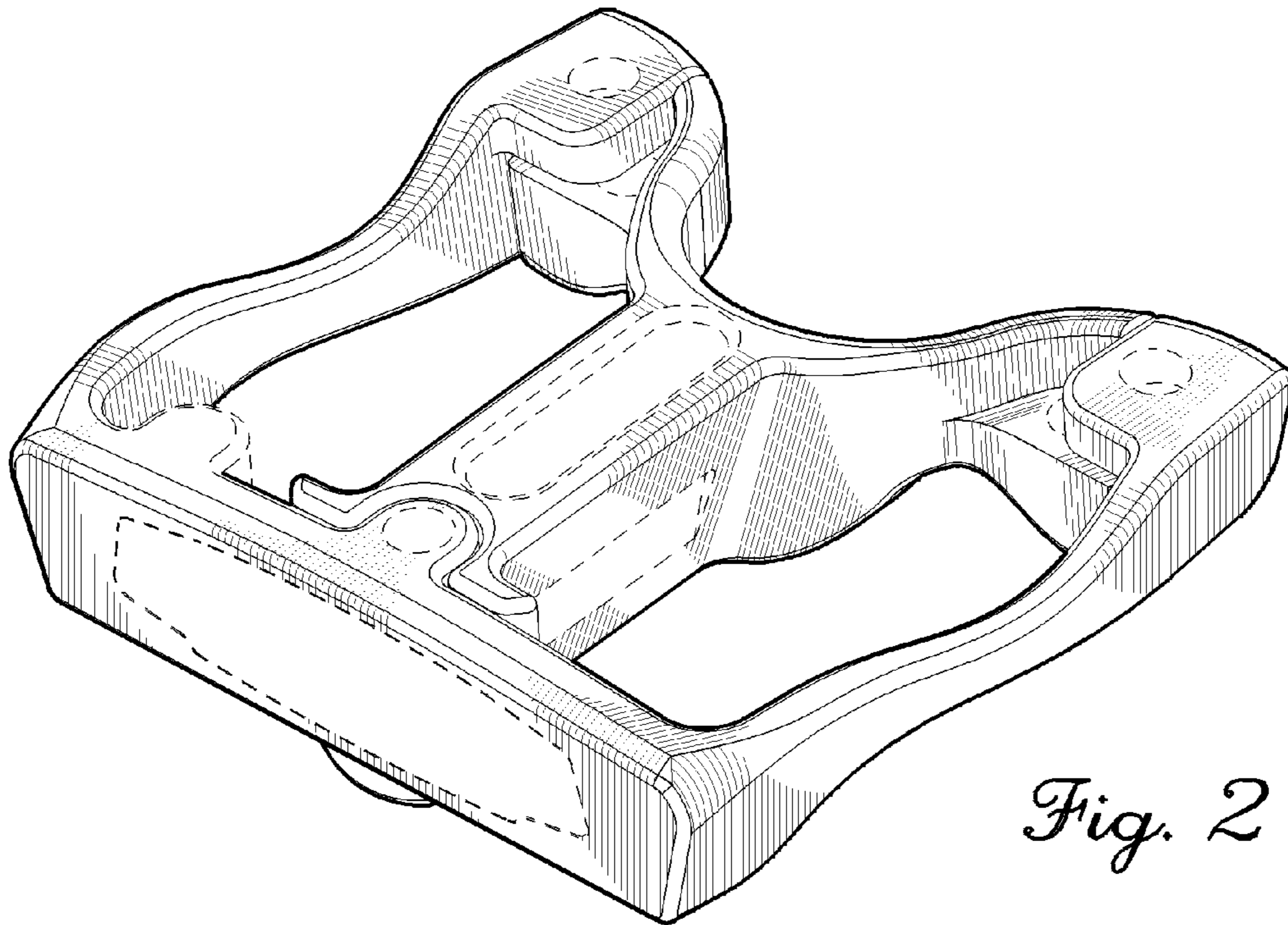


Fig. 2

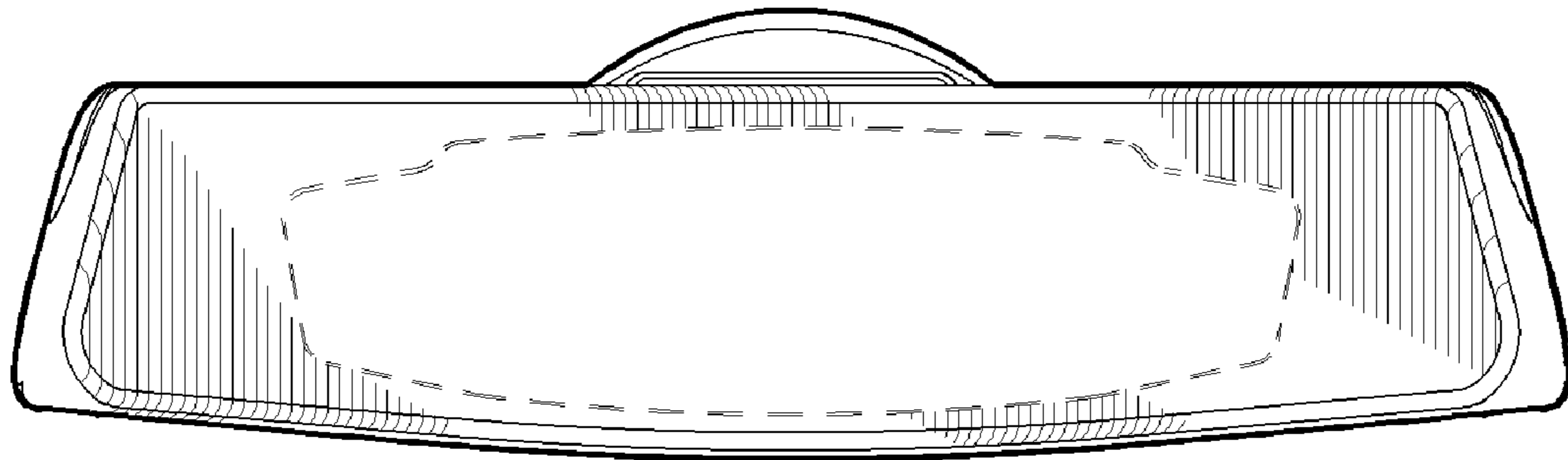


Fig. 3

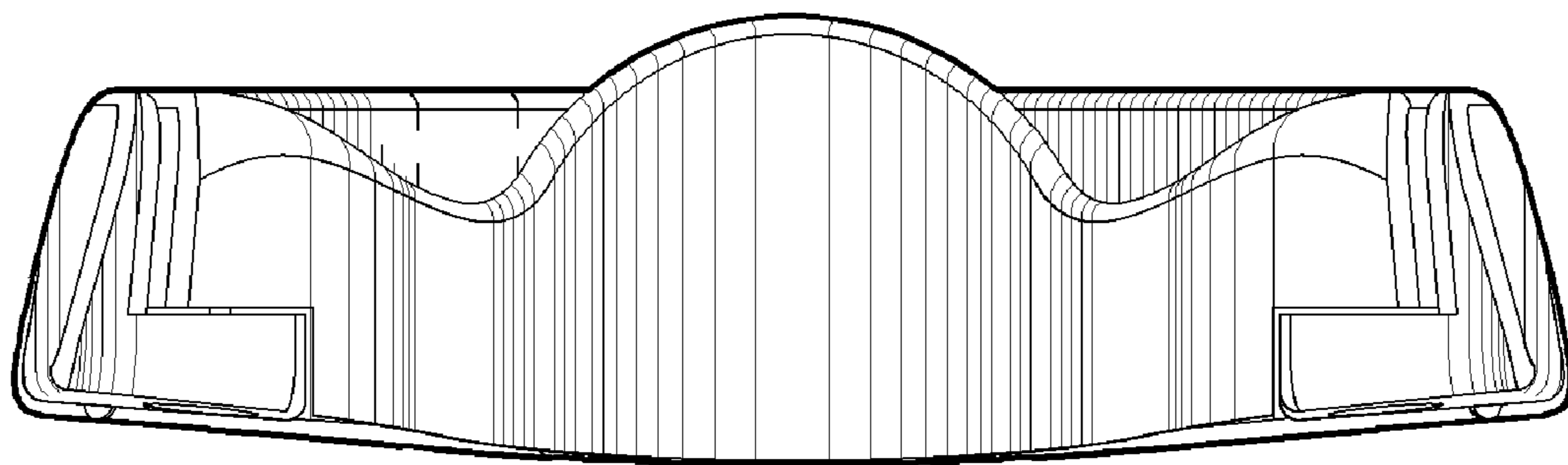


Fig. 4

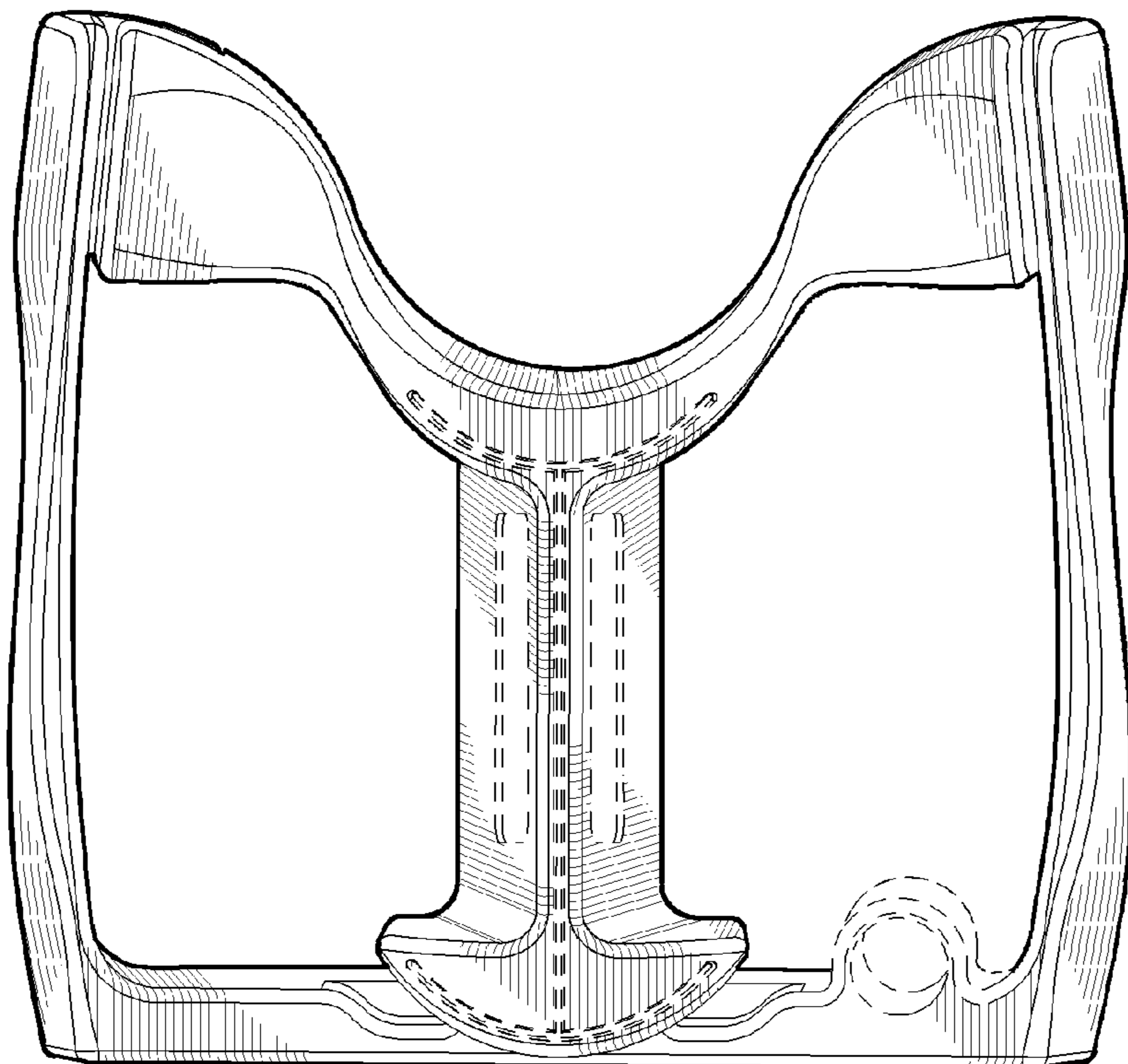


Fig. 5

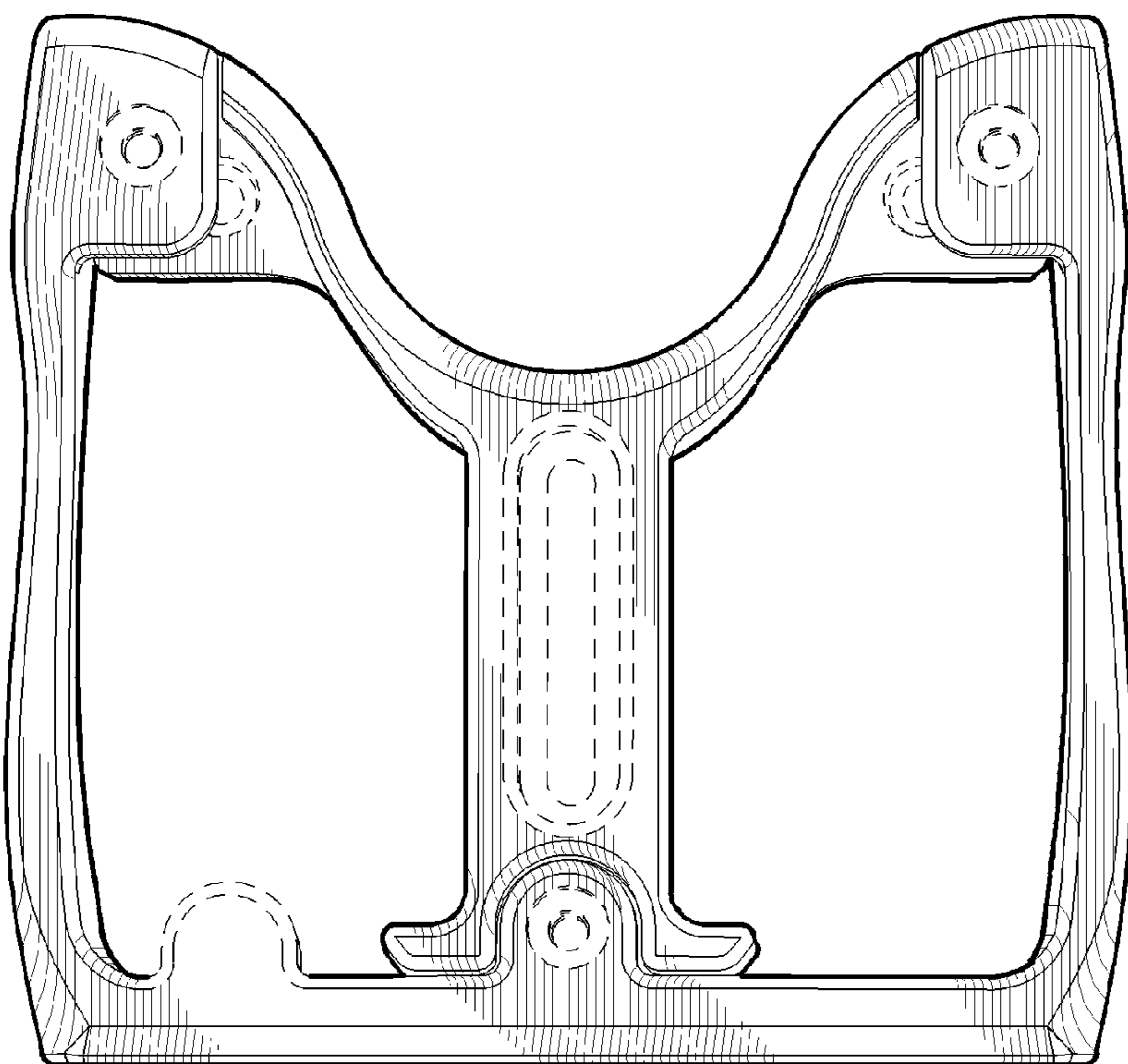


Fig. 6

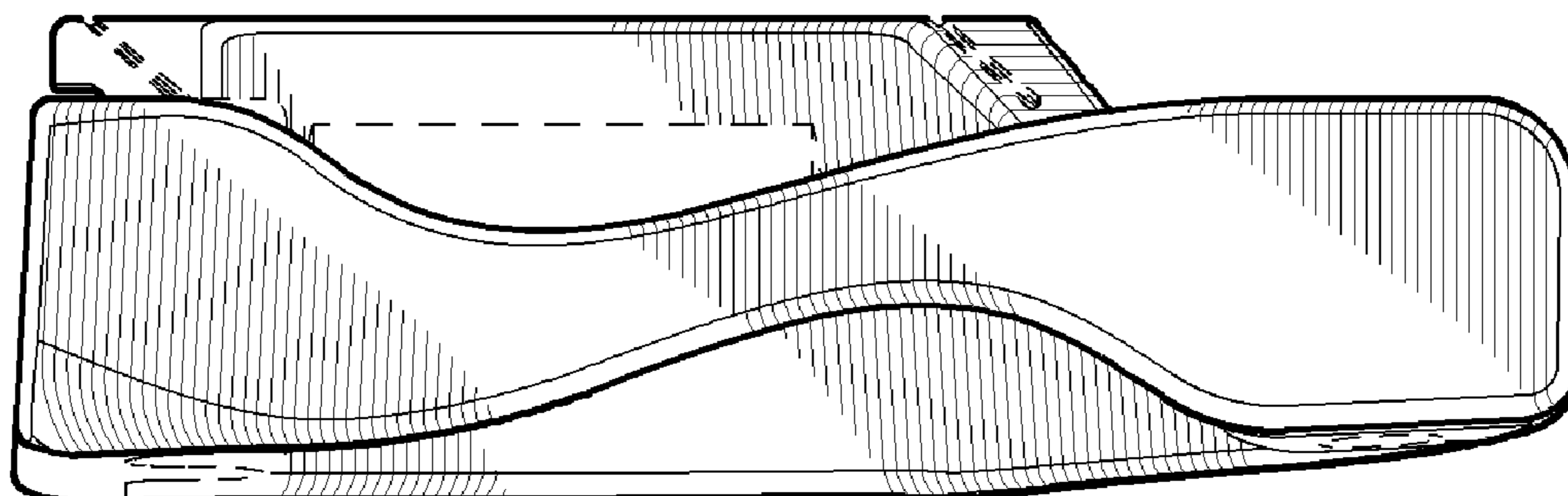


Fig. 7

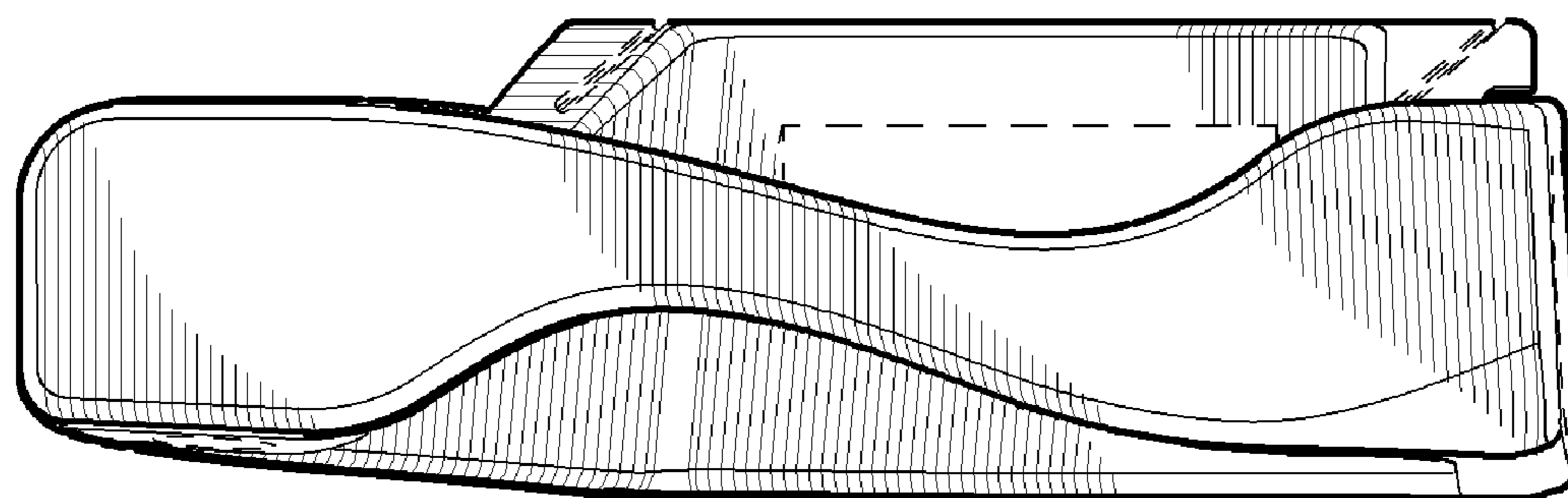


Fig. 8

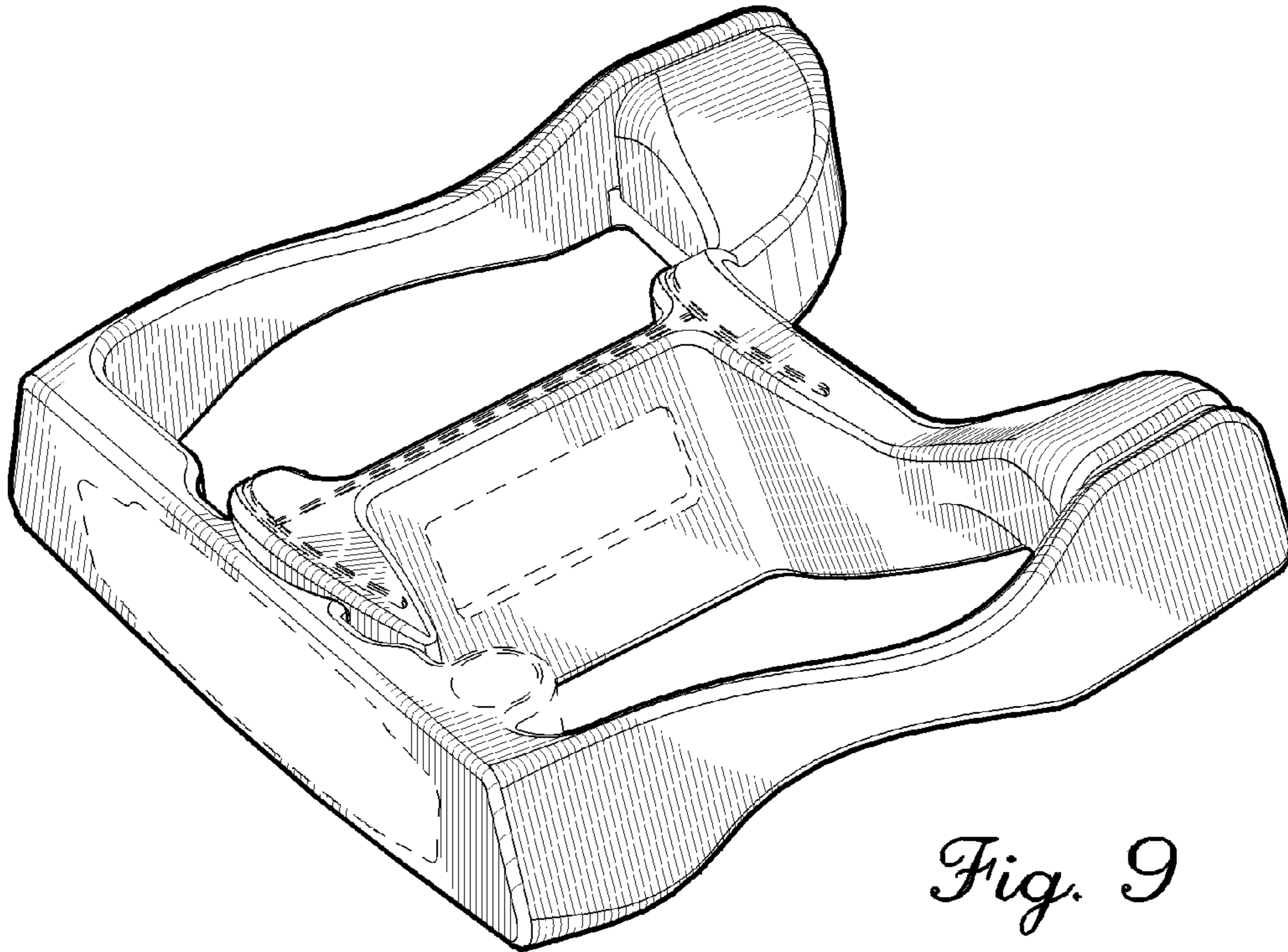


Fig. 9

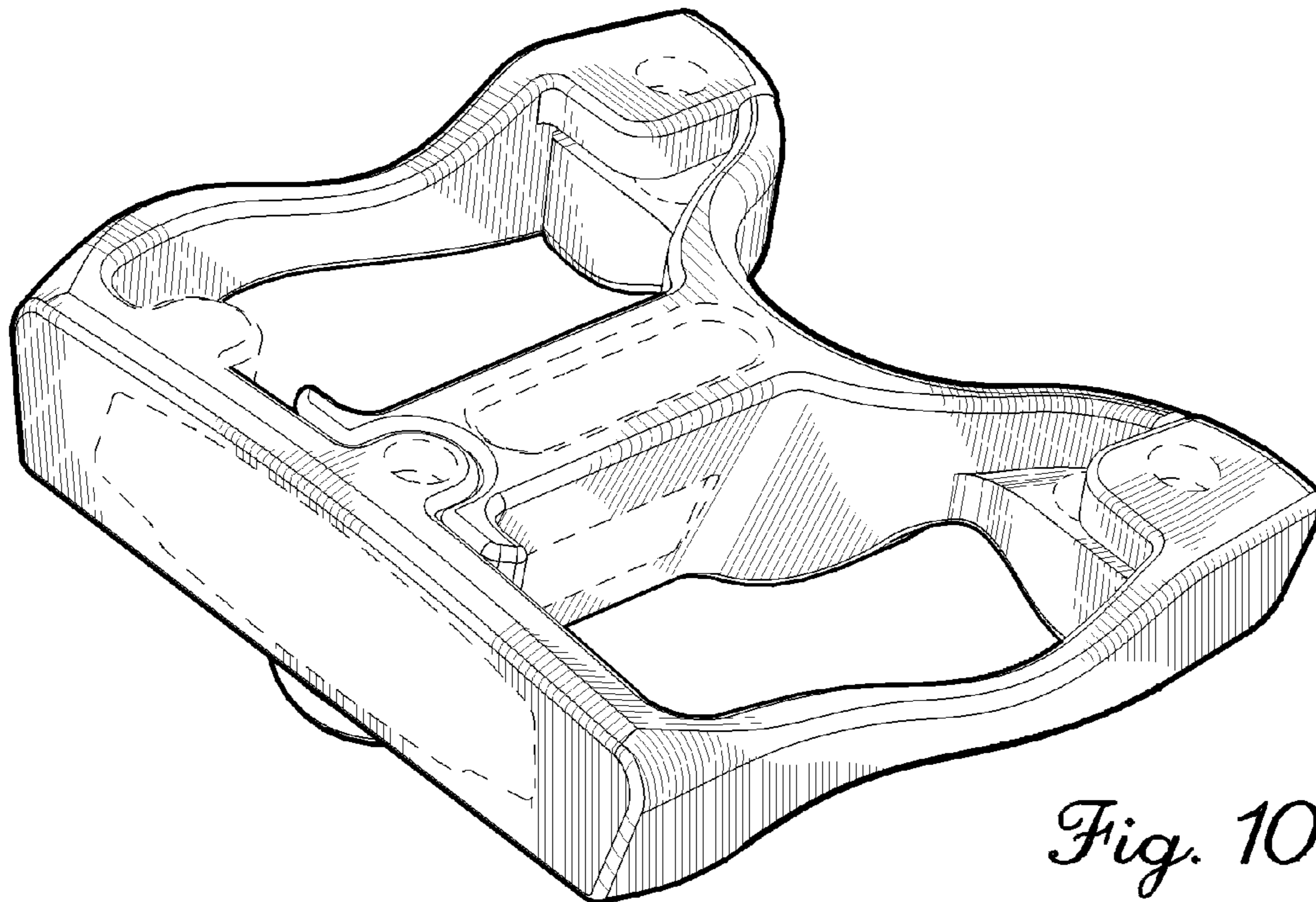


Fig. 10

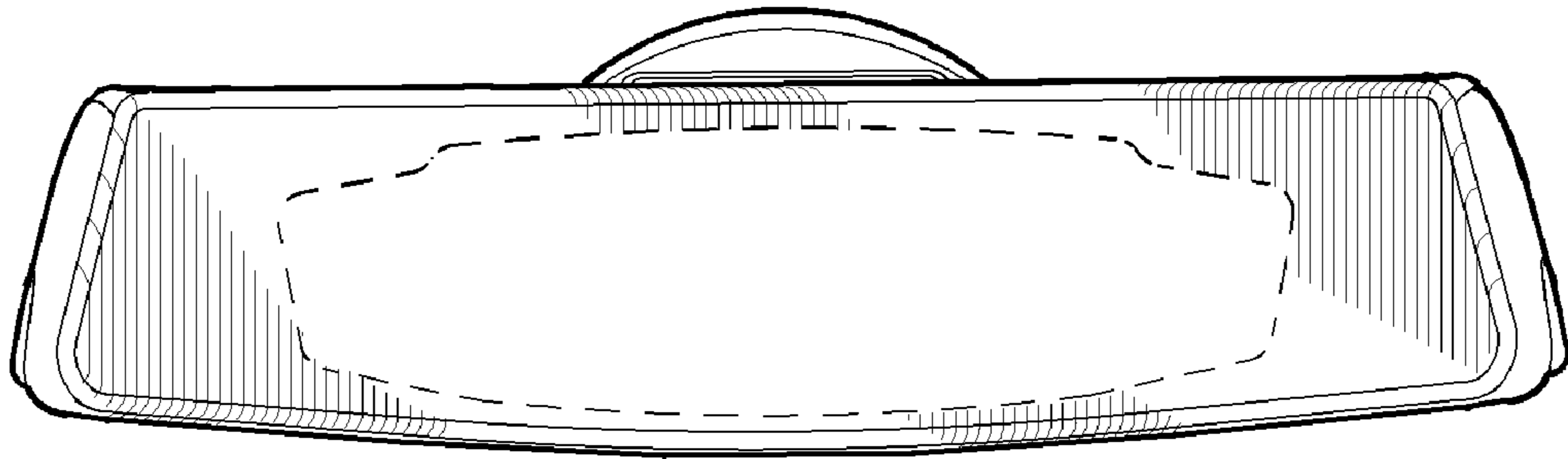


Fig. 11

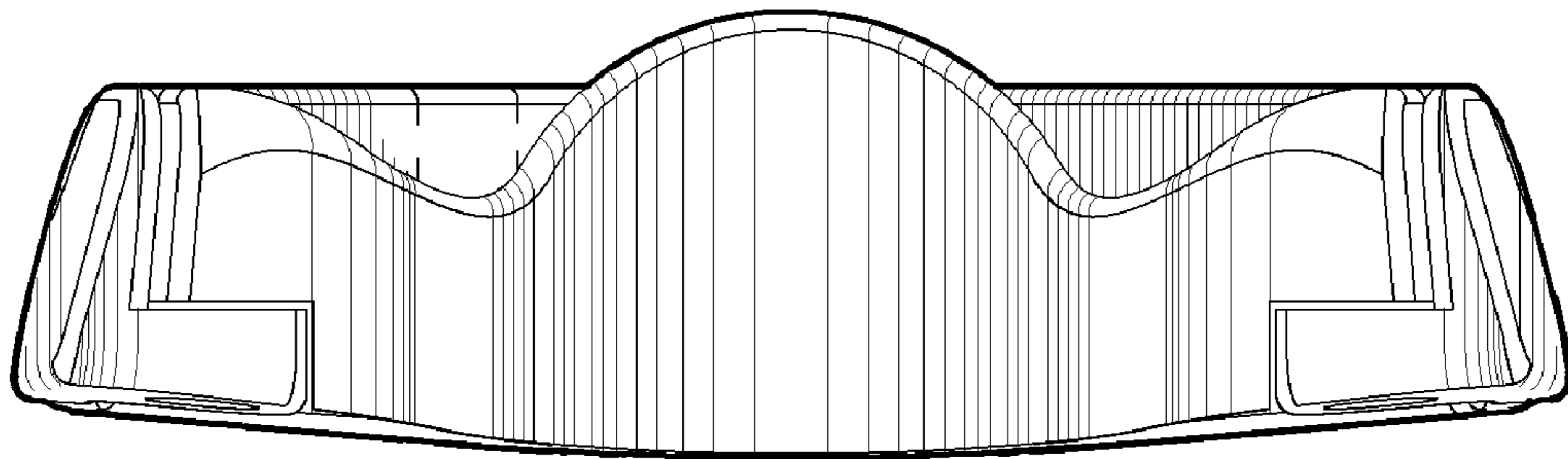


Fig. 12

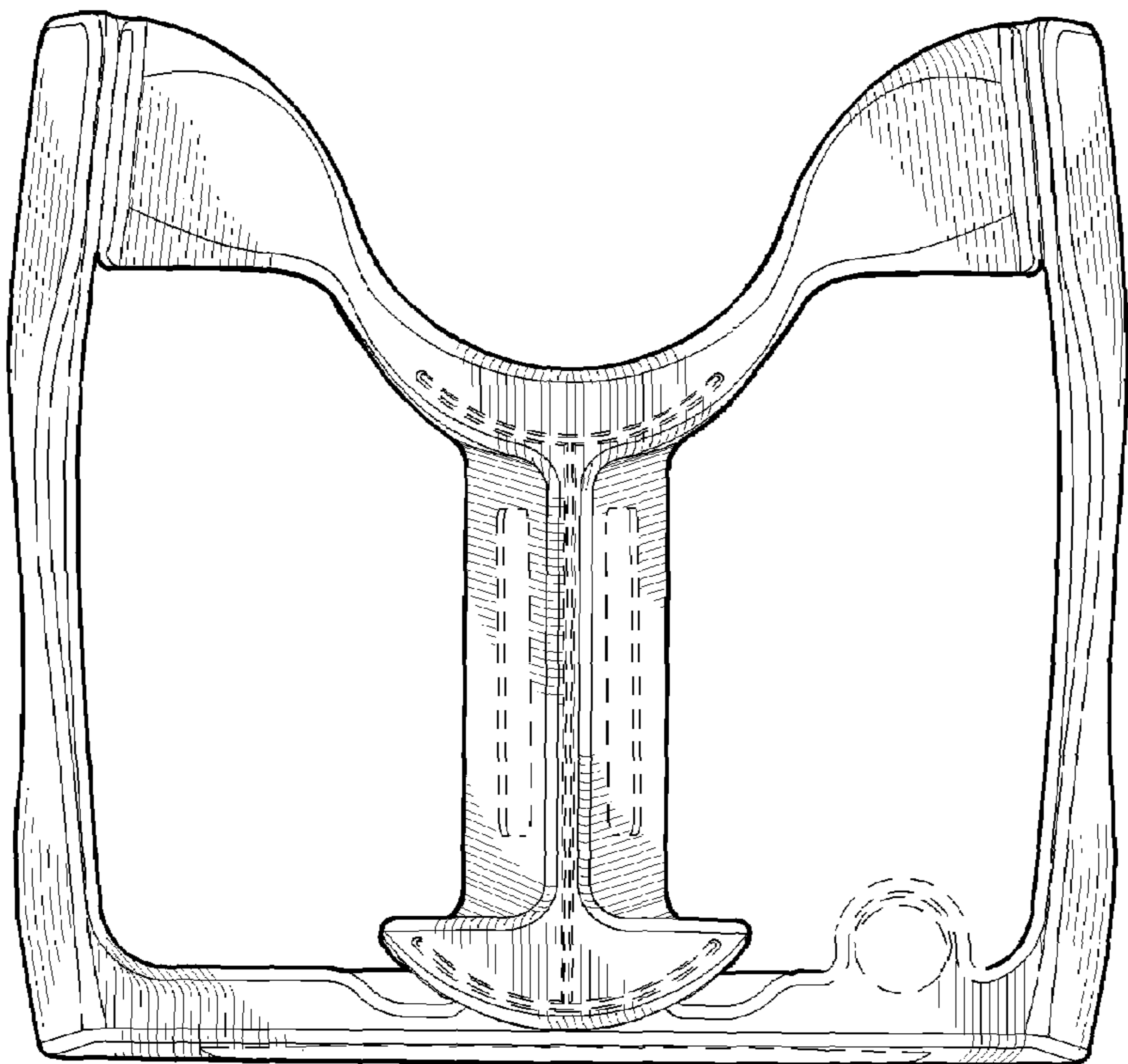


Fig. 13

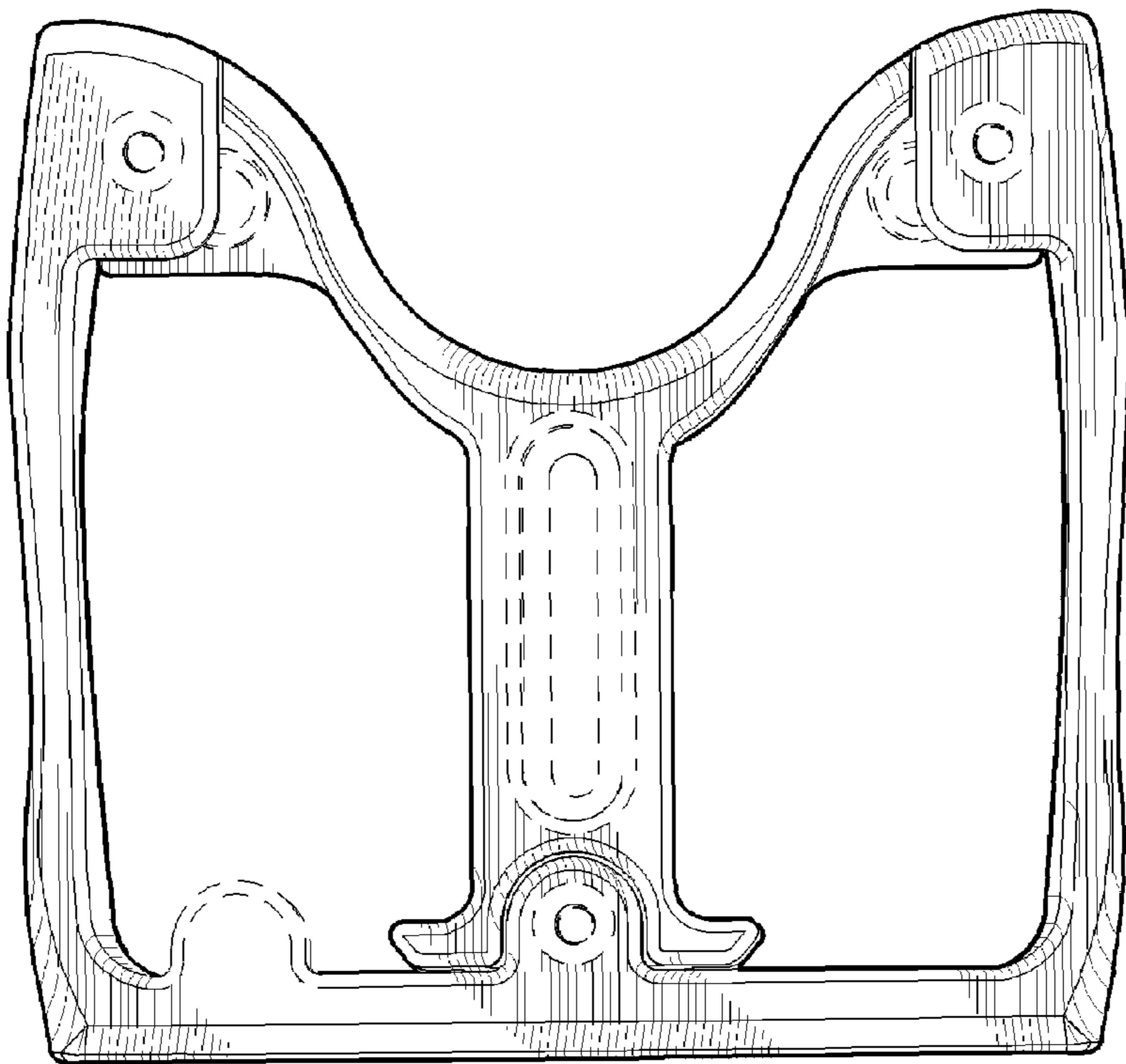


Fig. 14

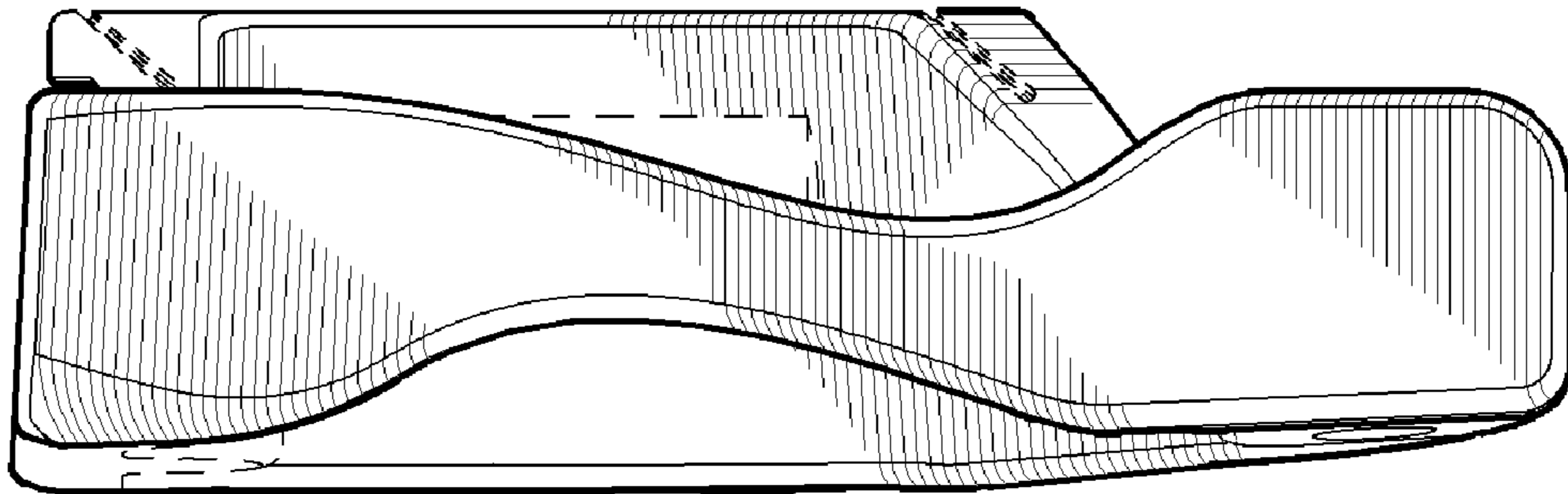


Fig. 15

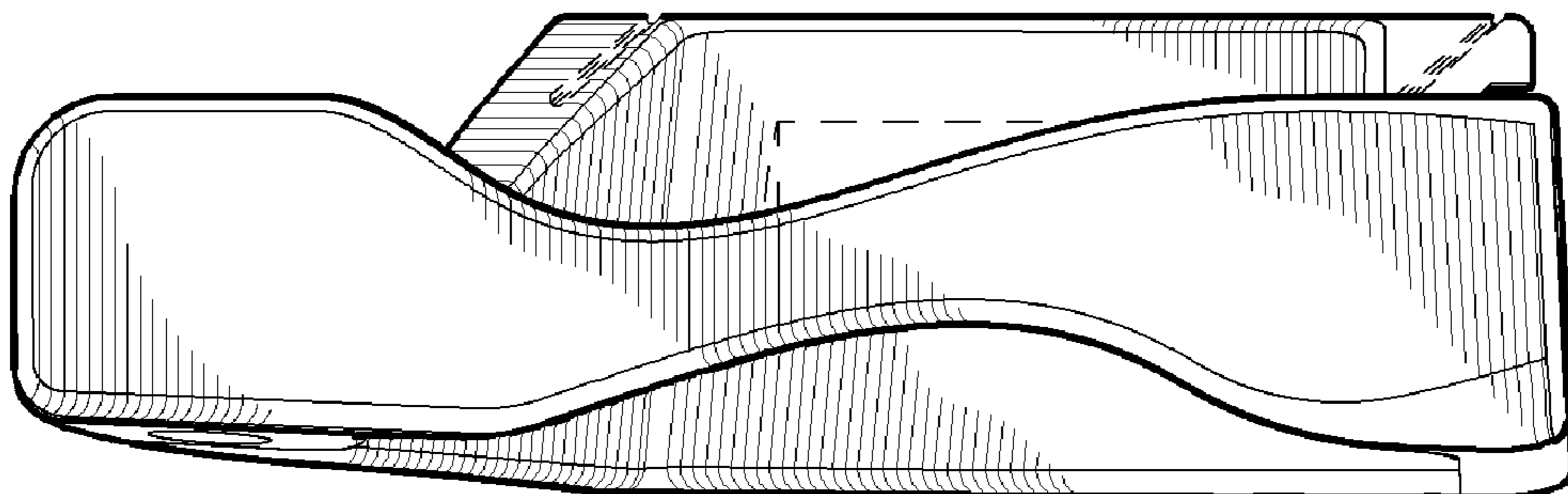


Fig. 16