



US00D587313S

(12) **United States Design Patent**
Yoshida

(10) **Patent No.:** **US D587,313 S**
(45) **Date of Patent:** **** Feb. 24, 2009**

(54) **DOCUMENT HOLDER**

(75) Inventor: **Tsukasa Yoshida**, Tokyo (JP)

(73) Assignee: **NS Planning Inc.**, Tokyo (JP)

(**) Term: **14 Years**

(21) Appl. No.: **29/287,062**

(22) Filed: **Jun. 22, 2007**

(30) **Foreign Application Priority Data**

Jan. 19, 2007 (JP) 2007-000979

(51) **LOC (9) Cl.** **19-02**

(52) **U.S. Cl.** **D19/86**

(58) **Field of Classification Search** D19/75,
D19/86, 91, 92, 90, 95, 99, 100; 24/67 R,
24/67.3; 40/343, 345, 341, 358, 642.02,
40/648, 649; 248/220.21, 223.41, 229.16,
248/229.26, 230.7, 231.81, 441.1, 442.2,
248/445.24; 281/45

See application file for complete search history.

(56) **References Cited**

U.S. PATENT DOCUMENTS

2,007,089 A * 7/1935 Jones 206/773
D202,951 S * 11/1965 Revzin D19/92
D208,679 S * 9/1967 Livingston et al. D19/86
3,947,138 A * 3/1976 Eshelman 402/69
5,499,793 A * 3/1996 Salansky 248/442.2

6,450,855 B1 * 9/2002 Tang 446/330
D513,039 S * 12/2005 Yoshida D19/90
D514,622 S * 2/2006 Yoshida D19/90
D532,452 S * 11/2006 Heng et al. D19/7
D546,889 S * 7/2007 Bhavnani D19/91
D575,150 S * 8/2008 Hageman D9/432

* cited by examiner

Primary Examiner—Caron Veynar

Assistant Examiner—Karen E Eldridge Powers

(74) *Attorney, Agent, or Firm*—Sughrue Mion, PLLC

(57) **CLAIM**

The ornamental design for a document holder, as shown and described.

DESCRIPTION

FIG. 1 is a perspective view of the top, front and left side of a document holder showing my new design;

FIG. 2 is a front view thereof;

FIG. 3 is a rear view thereof;

FIG. 4 is a top plan view thereof;

FIG. 5 is a bottom plan view thereof;

FIG. 6 is a right side view thereof;

FIG. 7 is a longitudinal cross sectional view thereof; and,

FIG. 8 is a perspective view showing the equipment in use.

The broken lines showing a piece of paper in FIG. 8 illustrate environmental matter, and form no part of the claimed design.

1 Claim, 5 Drawing Sheets

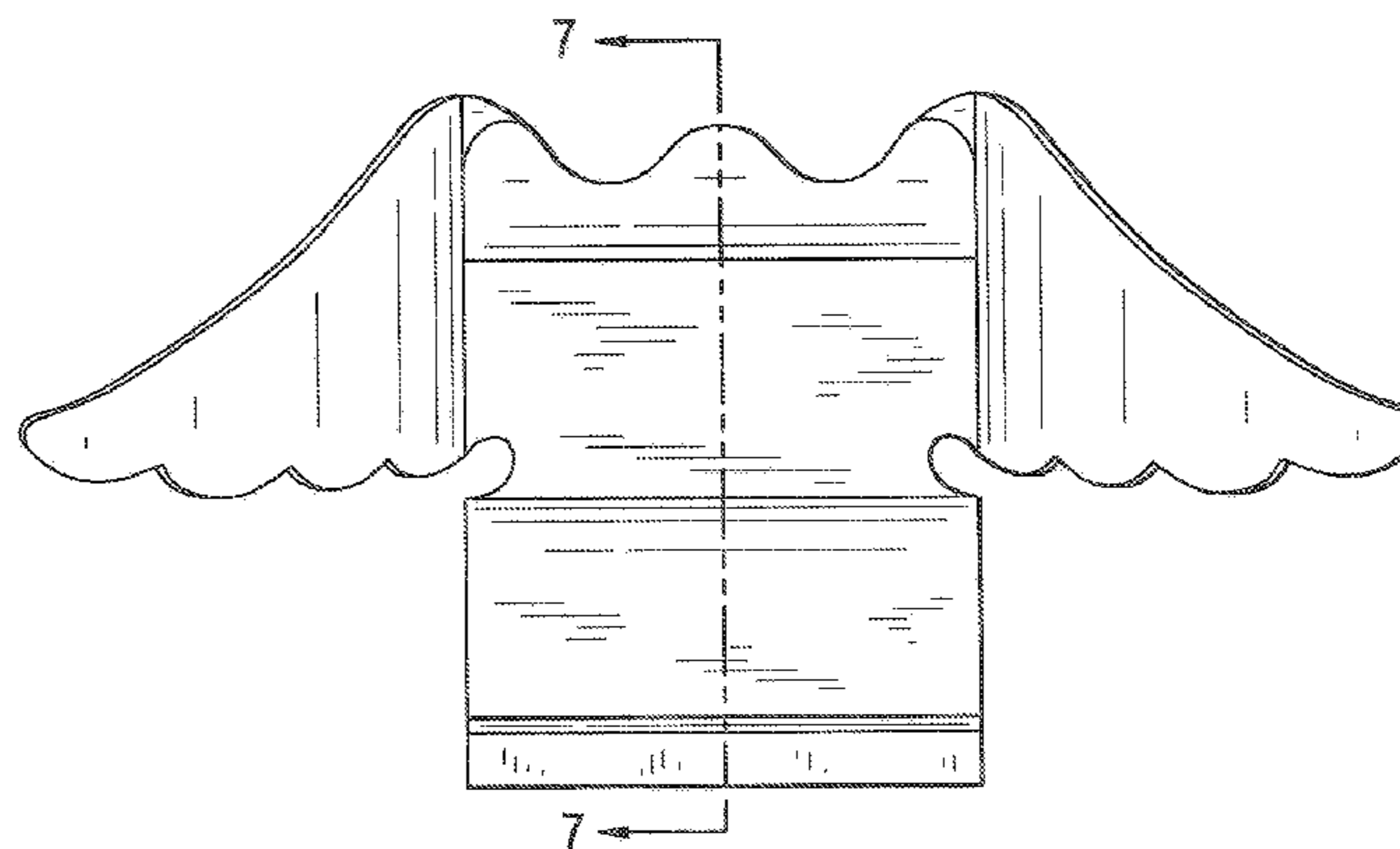
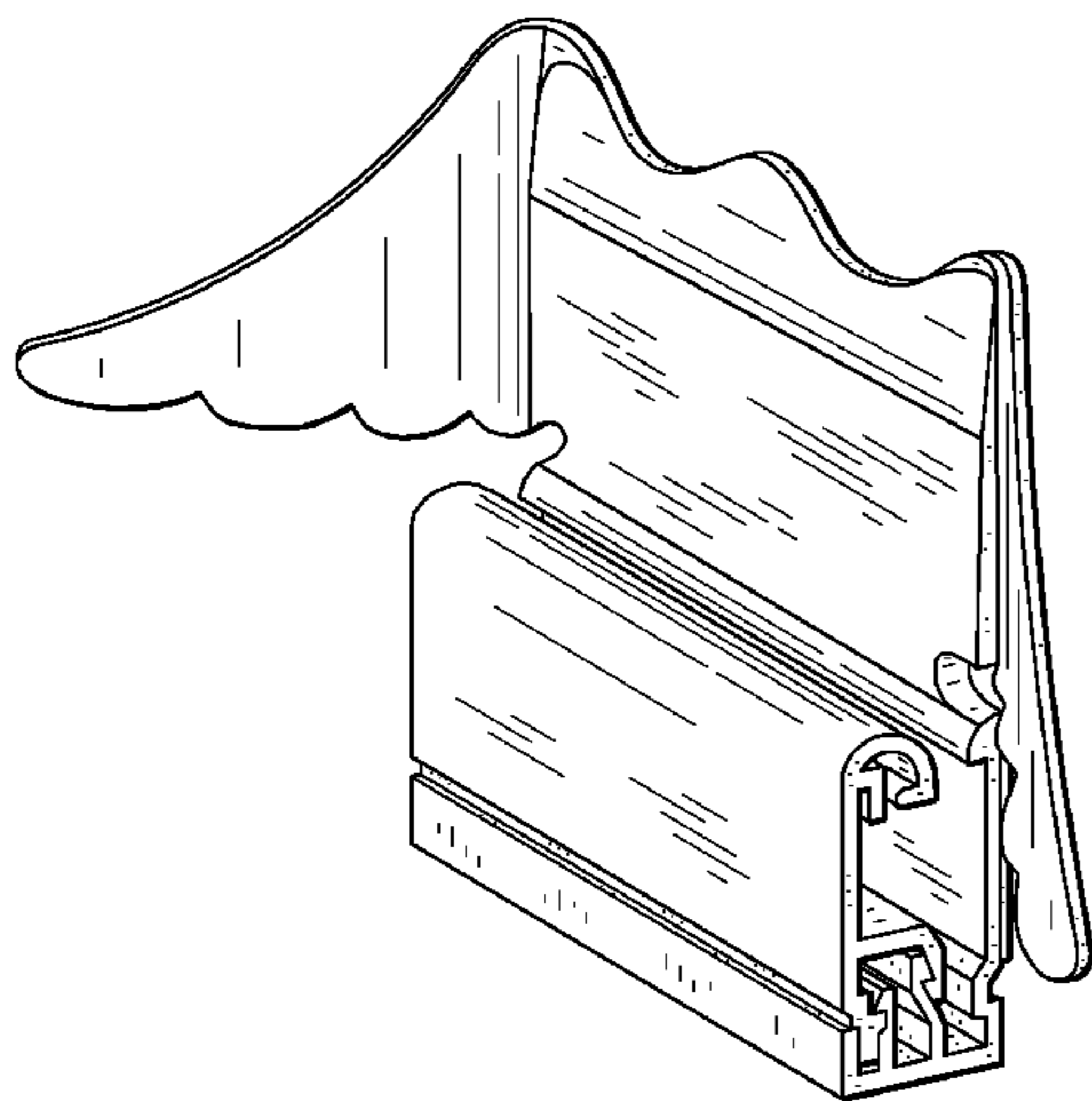


FIG. 1

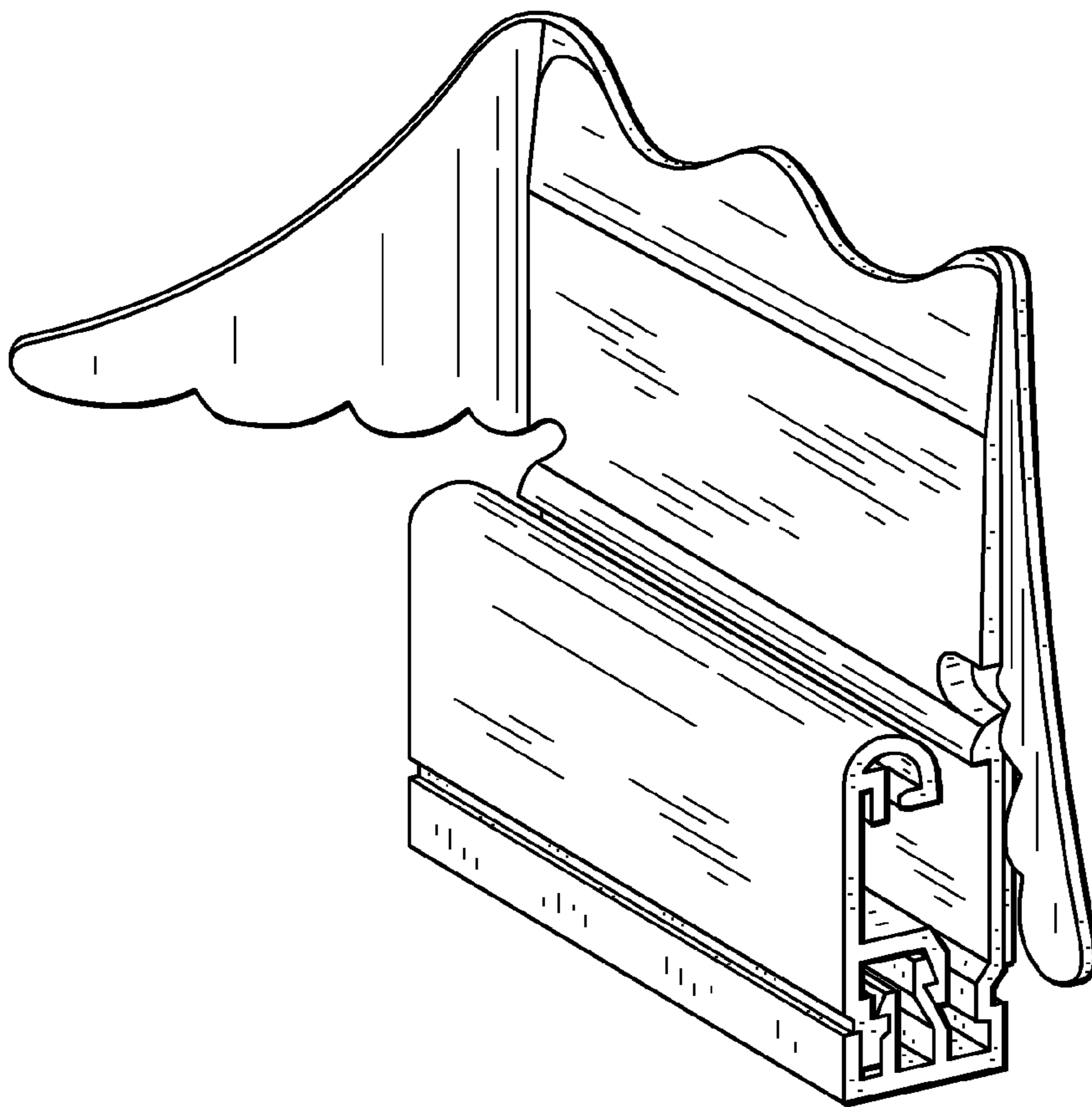


FIG. 2

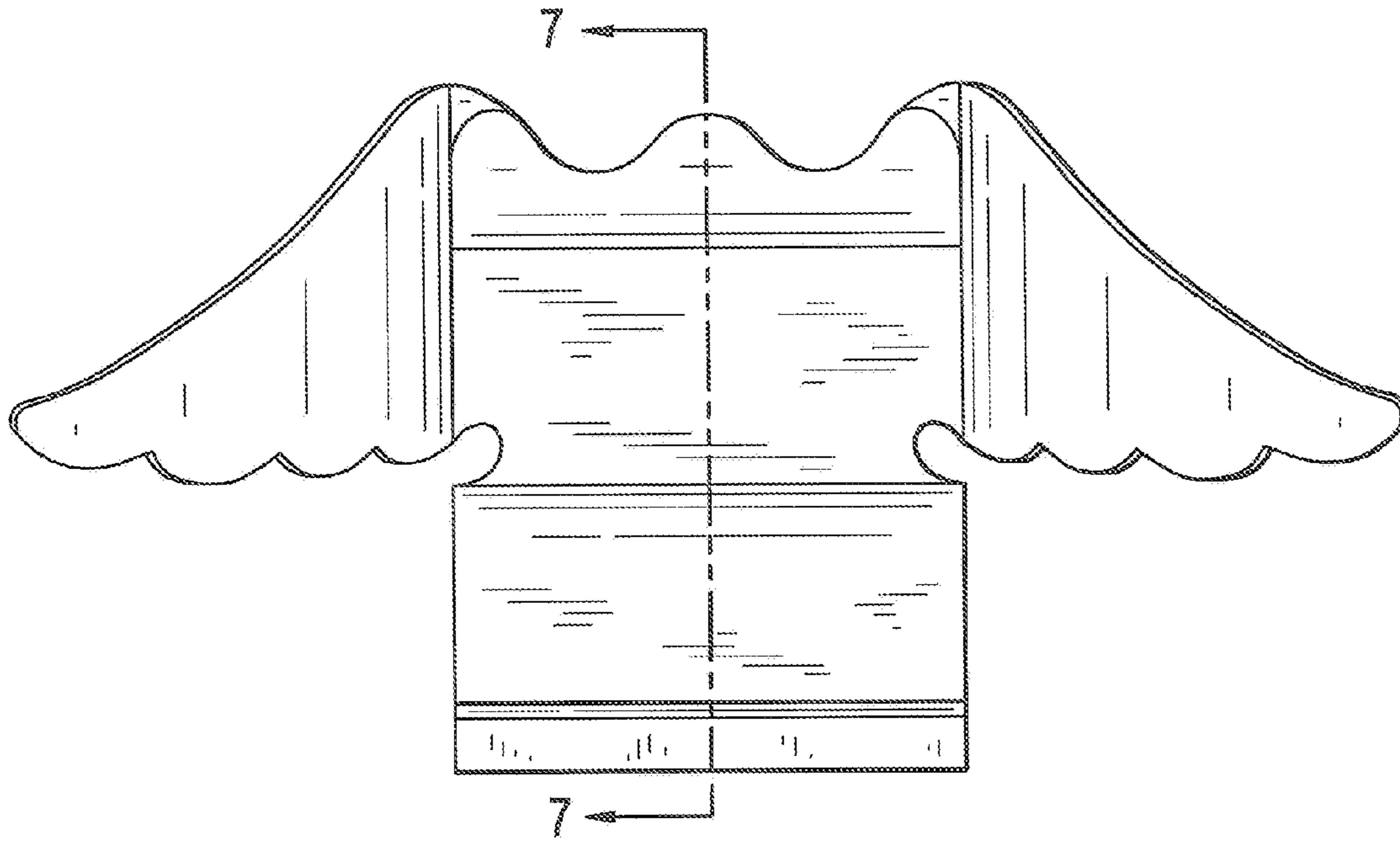


FIG. 3

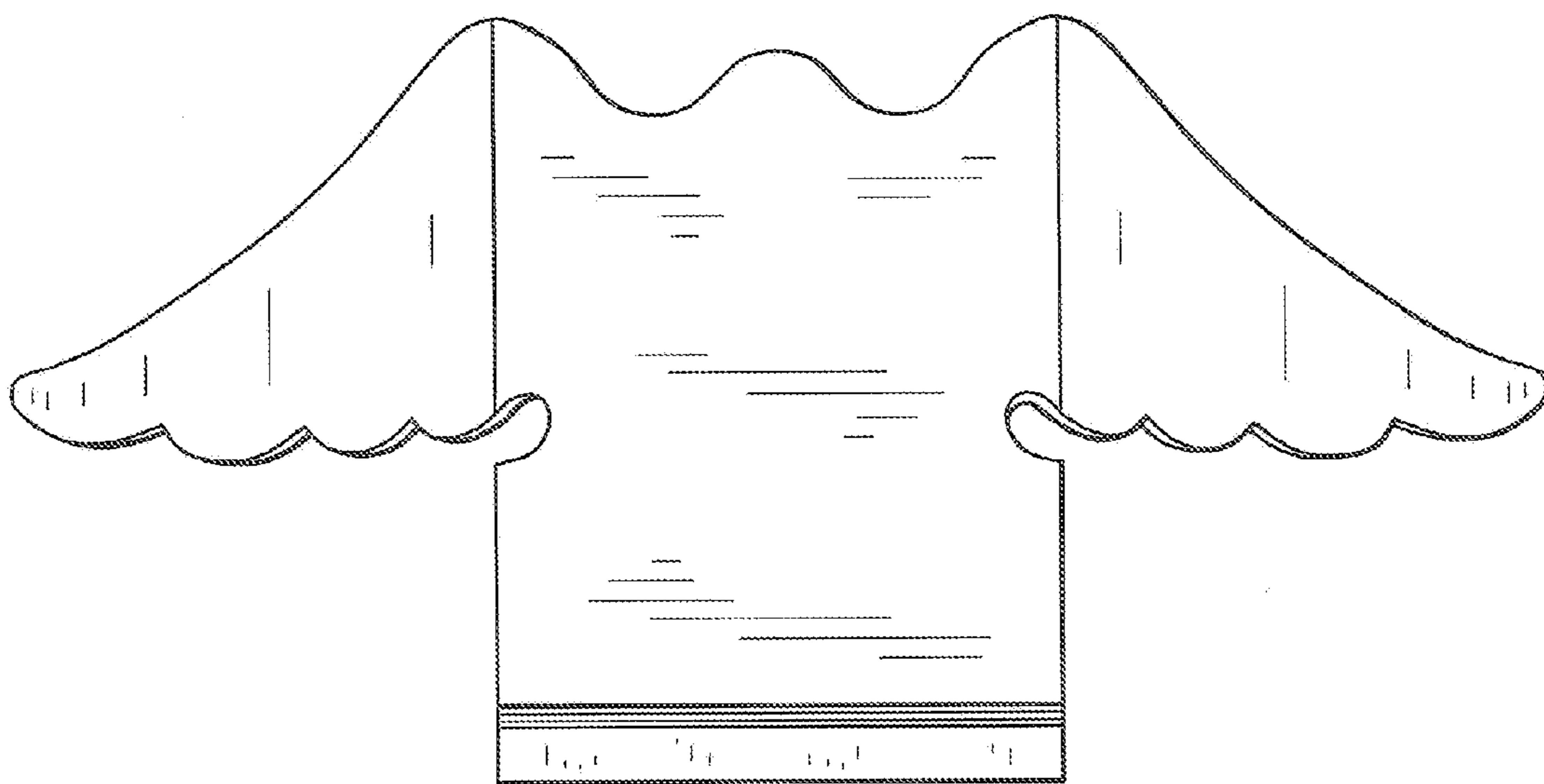


FIG. 4

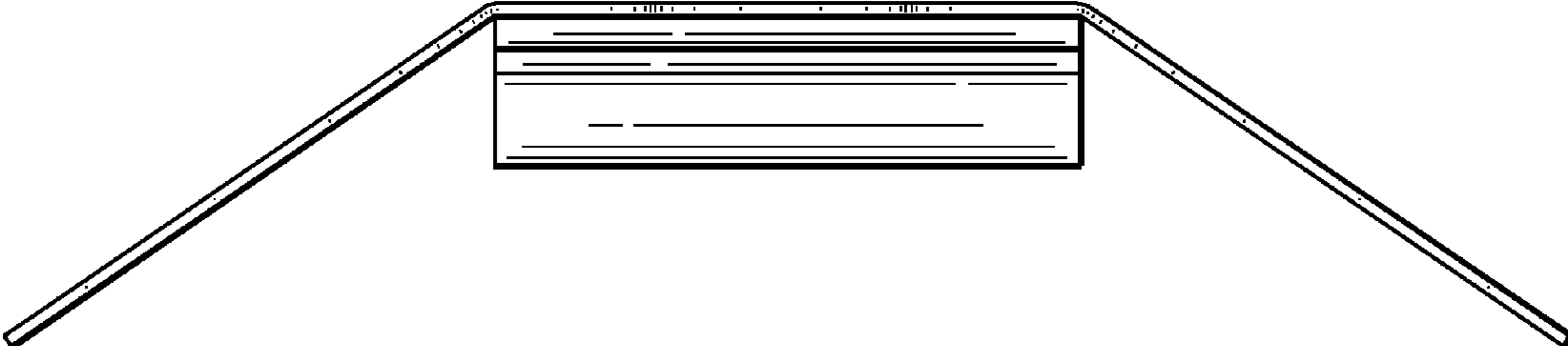


FIG. 5



FIG. 6

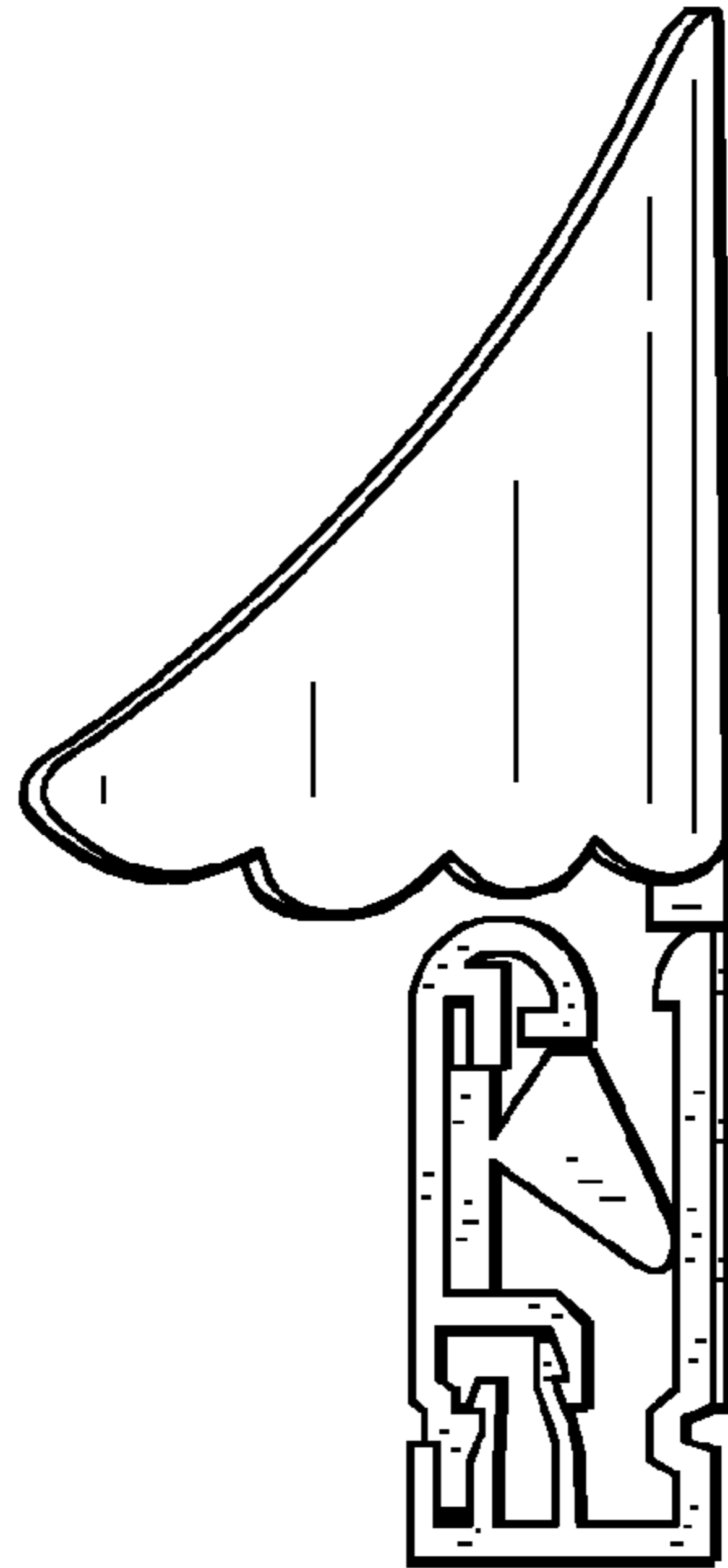


FIG. 7

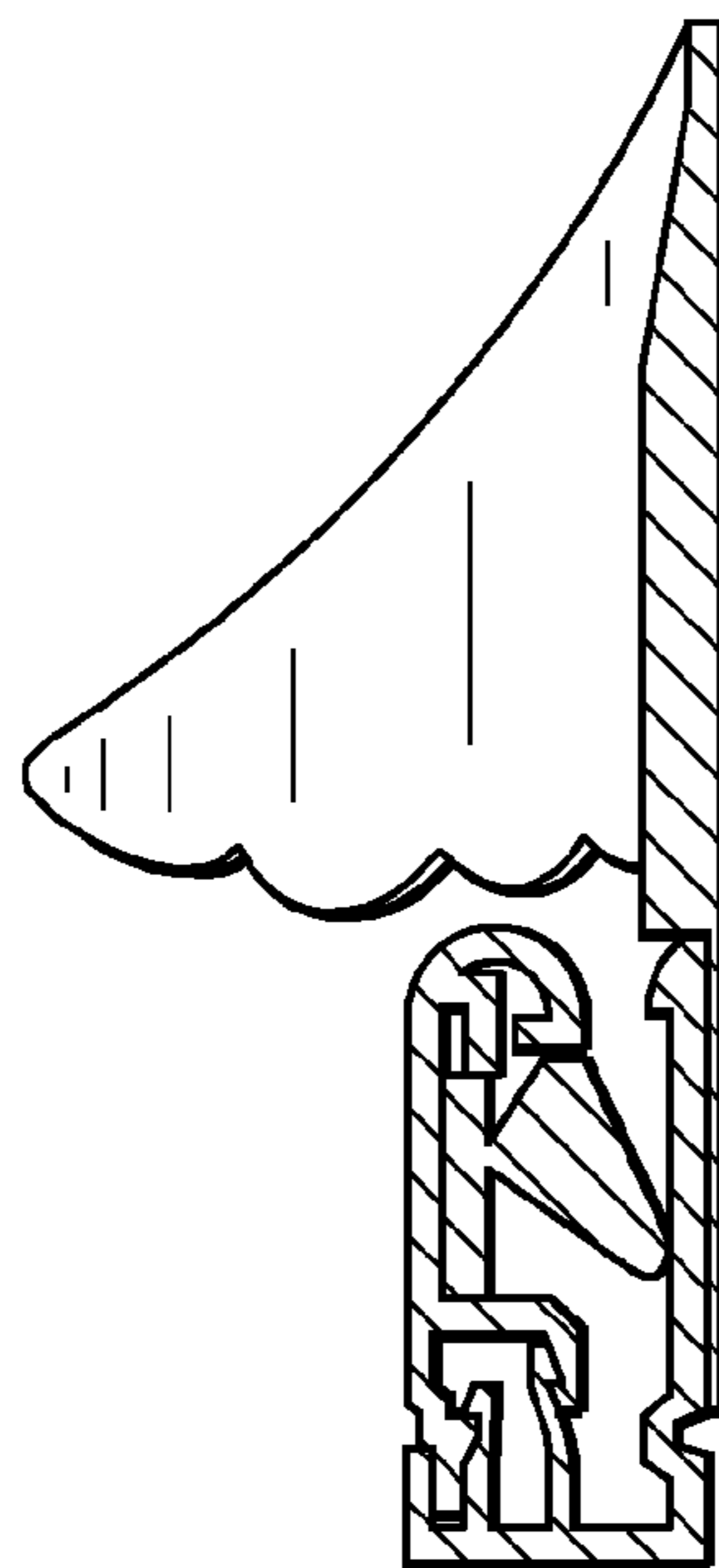


FIG. 8

