

US00D587311S

(12) **United States Design Patent**
Zhang

(10) **Patent No.:** **US D587,311 S**

(45) **Date of Patent:** **** Feb. 24, 2009**

- (54) **PEN**
- (75) Inventor: **Youbing Zhang**, Ningbo (CN)
- (73) Assignee: **Beifa Group Co., Ltd.**, Ningbo (CN)
- (**) Term: **14 Years**
- (21) Appl. No.: **29/298,527**
- (22) Filed: **Dec. 6, 2007**
- (30) **Foreign Application Priority Data**
Jun. 6, 2007 (CN) 2007 3 0158203
- (51) **LOC (9) Cl.** **19-06**
- (52) **U.S. Cl.** **D19/51**
- (58) **Field of Classification Search** D19/35,
D19/36, 41, 42, 44, 45, 46, 43, 47, 48, 49,
D19/50, 51, 54, 55, 56, 57; 24/11 R, 11 F,
24/11 P; 401/55, 99, 100, 104, 105, 106,
401/107, 109, 196, 197, 202, 208, 209, 213,
401/192, 195, 243, 244, 245, 246, 247; 708/107
See application file for complete search history.

(56) **References Cited**

U.S. PATENT DOCUMENTS

1,647,536	A *	11/1927	Miller	401/88
2,011,516	A *	8/1935	Funk	401/239
D138,416	S *	8/1944	Fernandez	D19/42
D153,713	S *	5/1949	Lohr et al.	D19/48
D155,031	S *	8/1949	Patterson	D9/521
2,726,760	A *	12/1955	Dulberg	401/63
2,870,742	A *	1/1959	Hackmyer	401/135
D251,198	S *	2/1979	Horvath	D27/146
D321,720	S	11/1991	Sakurada		
D337,207	S *	7/1993	Tiramani et al.	D4/199
D404,069	S *	1/1999	Hasegawa	D19/36
D406,276	S *	3/1999	Alvarado et al.	D19/36
D410,680	S *	6/1999	Muller	D19/42
D420,702	S *	2/2000	Chang	D19/36
D451,139	S *	11/2001	Wang	D19/36
D455,174	S *	4/2002	Traut et al.	D19/43

D483,784	S	12/2003	Ting		
D493,834	S *	8/2004	Yeh	D19/49
D495,076	S	8/2004	Mandel		
D495,743	S	9/2004	Schung		
D504,915	S *	5/2005	Ng	D19/46
D506,505	S *	6/2005	Qiu	D19/50
D532,602	S *	11/2006	Russo et al.	D3/206
D552,674	S *	10/2007	Qiu et al.	D19/48
D553,190	S *	10/2007	Qiu	D19/48
D568,935	S *	5/2008	Qiu et al.	D19/48

OTHER PUBLICATIONS

Qiu, Z., and Y. Zhang, "Pen," U.S. Appl. No. 29/277,822, filed Mar. 9, 2007.

* cited by examiner

Primary Examiner—Elizabeth A Albert

Assistant Examiner—Karen E Eldridge Powers

(74) *Attorney, Agent, or Firm*—Christensen O'Connor Johnson Kindness PLLC

(57) **CLAIM**

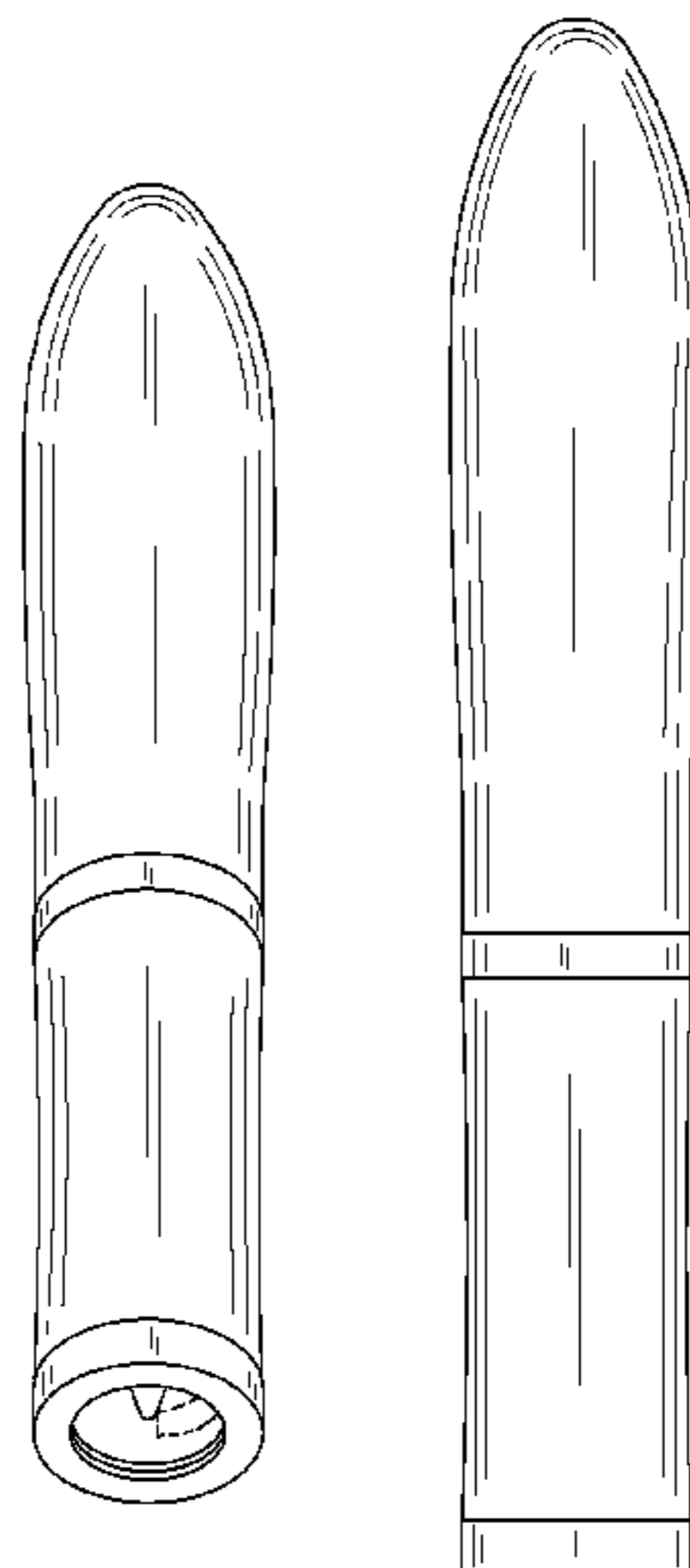
The ornamental design for a pen, as shown and described.

DESCRIPTION

FIG. 1 is a lower perspective view of a pen showing my new design with the pen tip retracted inside the body of the pen;
 FIG. 2 is an upper perspective view of the pen shown in FIG. 1 with the pen tip extended from the body of the pen;
 FIG. 3 is a side elevation view of the pen shown in FIG. 1;
 FIG. 4 is a top plan view thereof;
 FIG. 5 is a bottom plan view thereof;
 FIG. 6 is a side elevation view of the pen shown in FIG. 2;
 FIG. 7 is a top plan view thereof; and,
 FIG. 8 is a bottom plan view thereof.

The broken lines in FIG. 1 illustrate environmental matter and form no part of the claimed design.

1 Claim, 3 Drawing Sheets



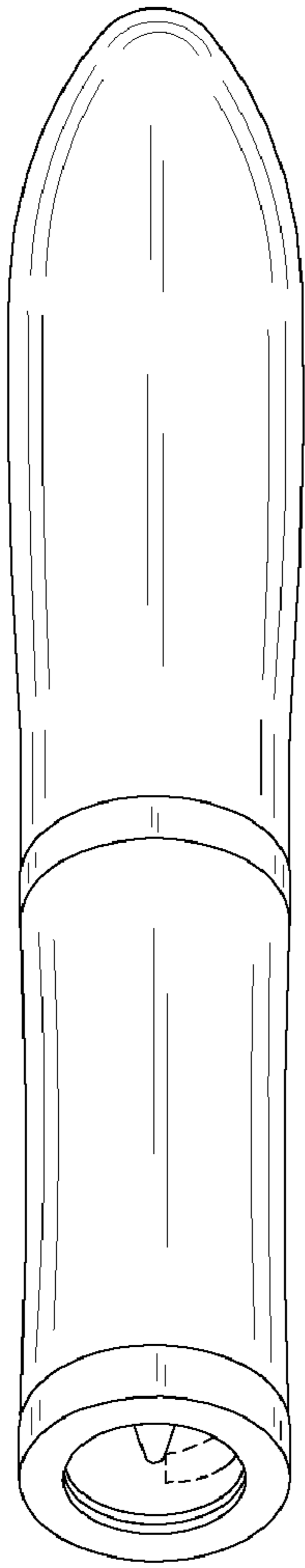


Fig. 1.

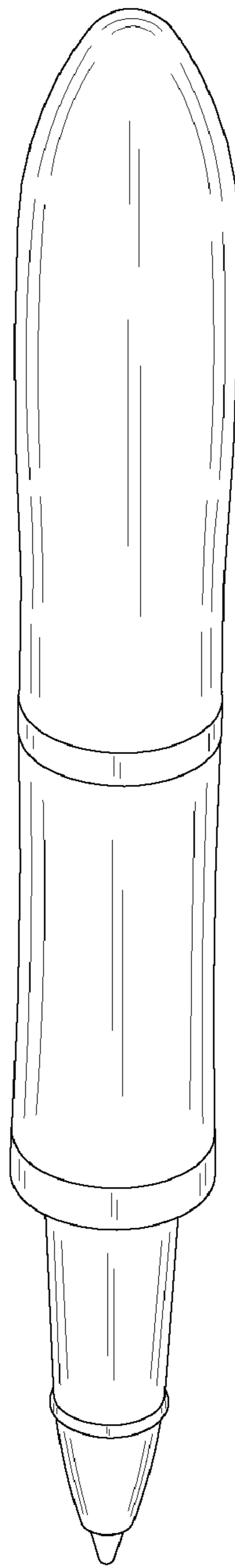


Fig. 2.

Fig.3.

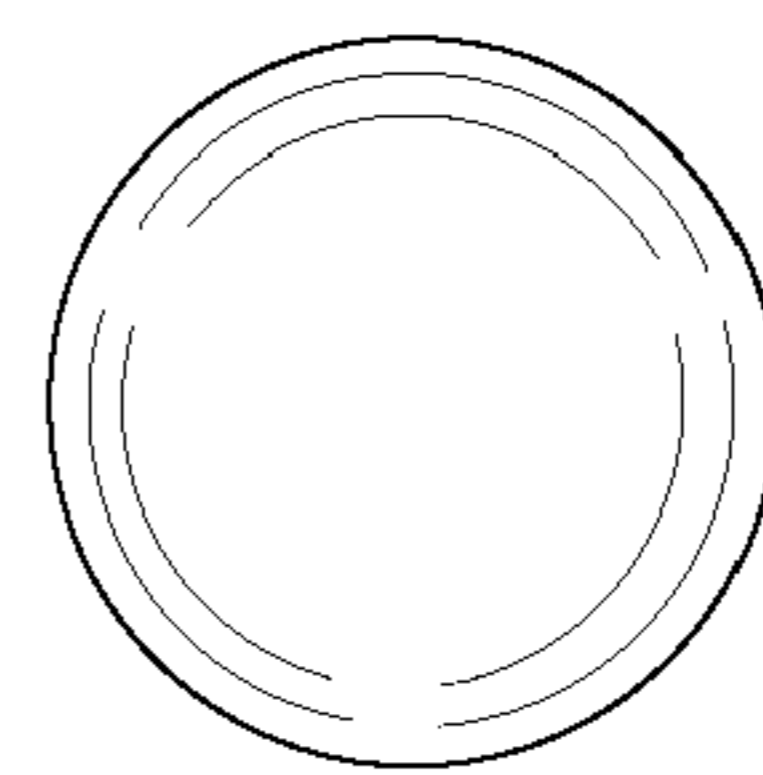
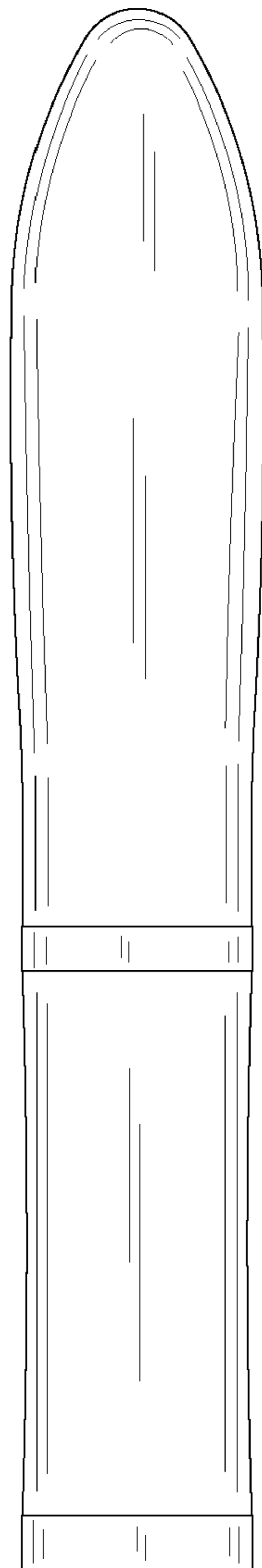


Fig.4.

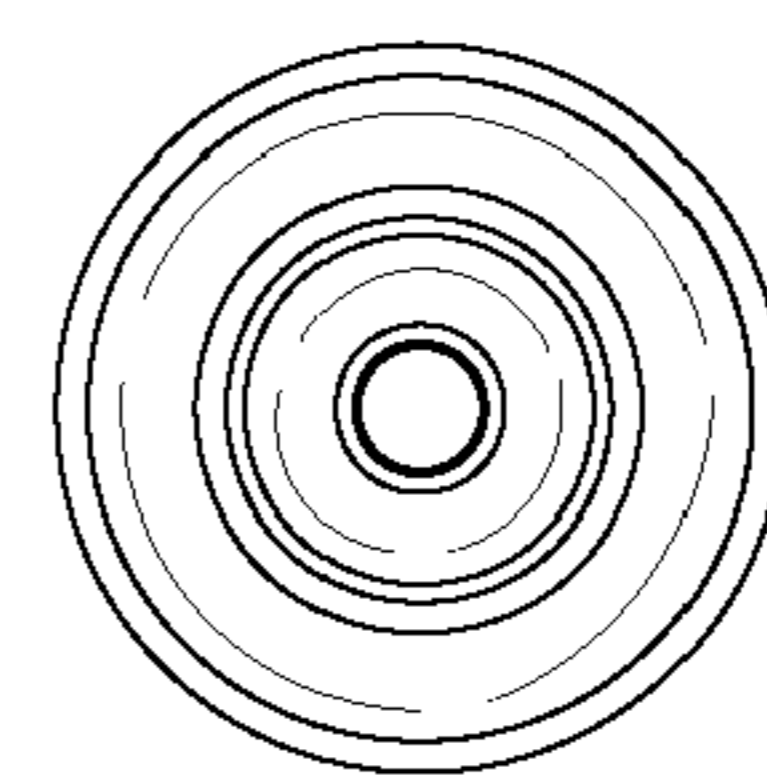


Fig.5.

Fig. 6.

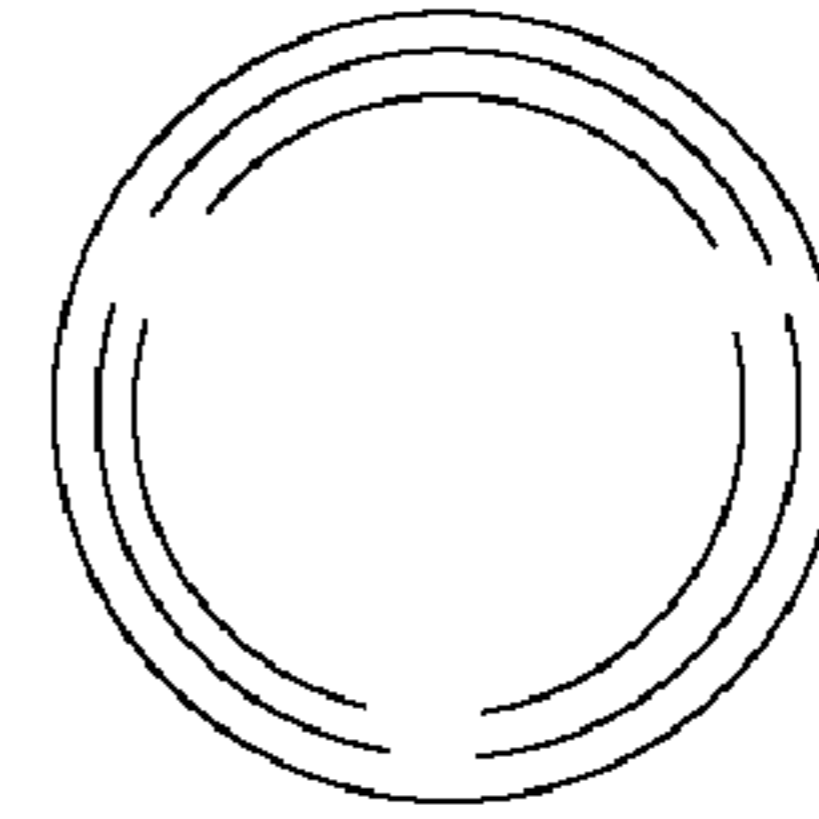
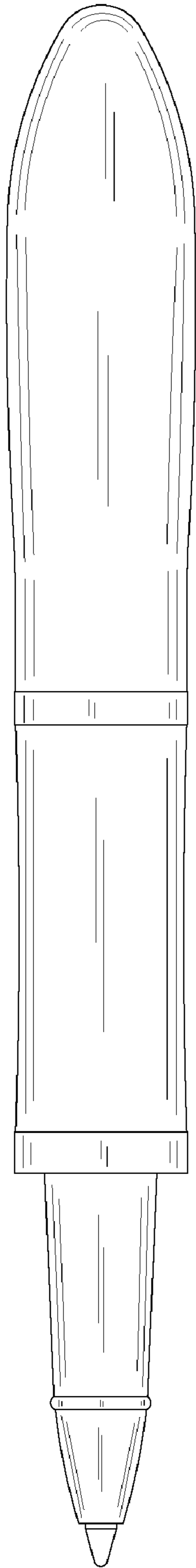


Fig. 7.

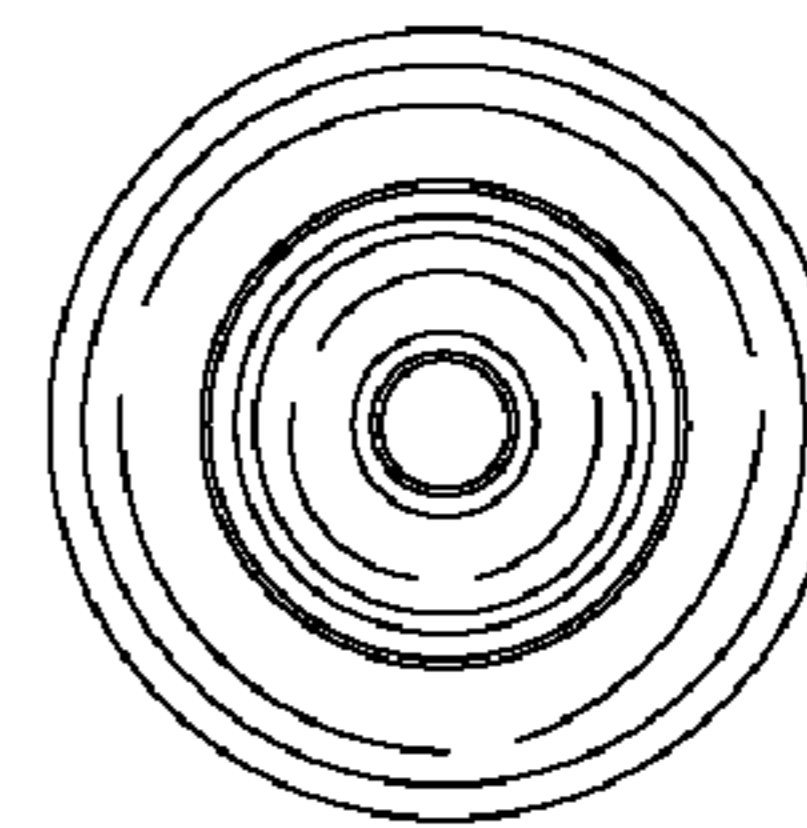


Fig. 8.