



US00D587307S

(12) **United States Design Patent**
Iwamuro

(10) **Patent No.:** **US D587,307 S**
(45) **Date of Patent:** **** Feb. 24, 2009**

(54) **INK CARTRIDGE**

(75) Inventor: **Takeshi Iwamuro**, Matsumoto (JP)

(73) Assignee: **Seiko Epson Corporation** (JP)

(**) Term: **14 Years**

(21) Appl. No.: **29/294,445**

(22) Filed: **Jan. 10, 2008**

(30) **Foreign Application Priority Data**

Nov. 28, 2007 (JP) 2007-032584

(51) **LOC (9) Cl.** **18-02**

(52) **U.S. Cl.** **D18/56**

(58) **Field of Classification Search** D18/12,
D18/43, 56; 347/85-87

See application file for complete search history.

(56) **References Cited**

U.S. PATENT DOCUMENTS

D418,156	S	*	12/1999	Maeda	D18/43
6,106,111	A	*	8/2000	Taneya et al.	347/86
6,302,515	B2	*	10/2001	Wolf et al.	347/87
D452,875	S	*	1/2002	Carrese et al.	D18/56
D462,378	S	*	9/2002	Hattori	D18/19
D503,423	S	*	3/2005	Hattori et al.	D18/56
D538,336	S	*	3/2007	Hattori et al.	D18/56
D541,337	S	*	4/2007	Hattori	D18/56

7,360,858	B2	*	4/2008	Hayamizu et al.	347/86
2005/0093944	A1	*	5/2005	Hattori	347/86
2006/0262170	A1	*	11/2006	Putman	347/86

* cited by examiner

Primary Examiner—Cathy Anne MacCormac

(74) *Attorney, Agent, or Firm*—Harness, Dickey & Pierce, P.L.C.

(57) **CLAIM**

The ornamental design for an ink cartridge, as shown and described.

DESCRIPTION

FIG. 1 is a front perspective view of an ink cartridge showing my new design;

FIG. 2 is a rear perspective view thereof;

FIG. 3 is a front view thereof;

FIG. 4 is a rear view thereof;

FIG. 5 is a top plan view thereof;

FIG. 6 is a bottom plan view thereof;

FIG. 7 is a right side elevational view thereof; and,

FIG. 8 is a left side elevational view thereof.

The broken lines are shown for illustrative purposes only and form no part of the claimed design.

1 Claim, 6 Drawing Sheets

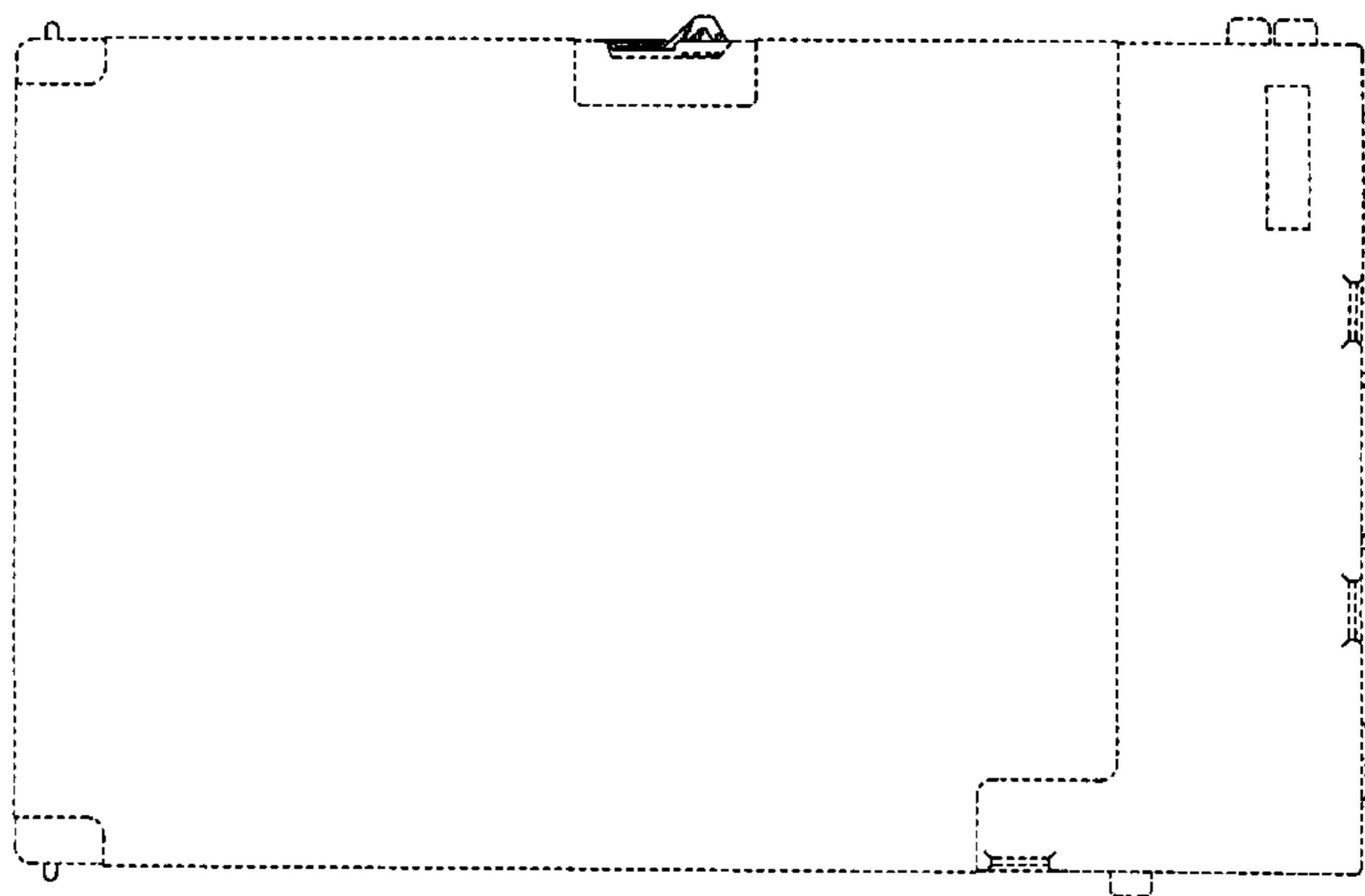
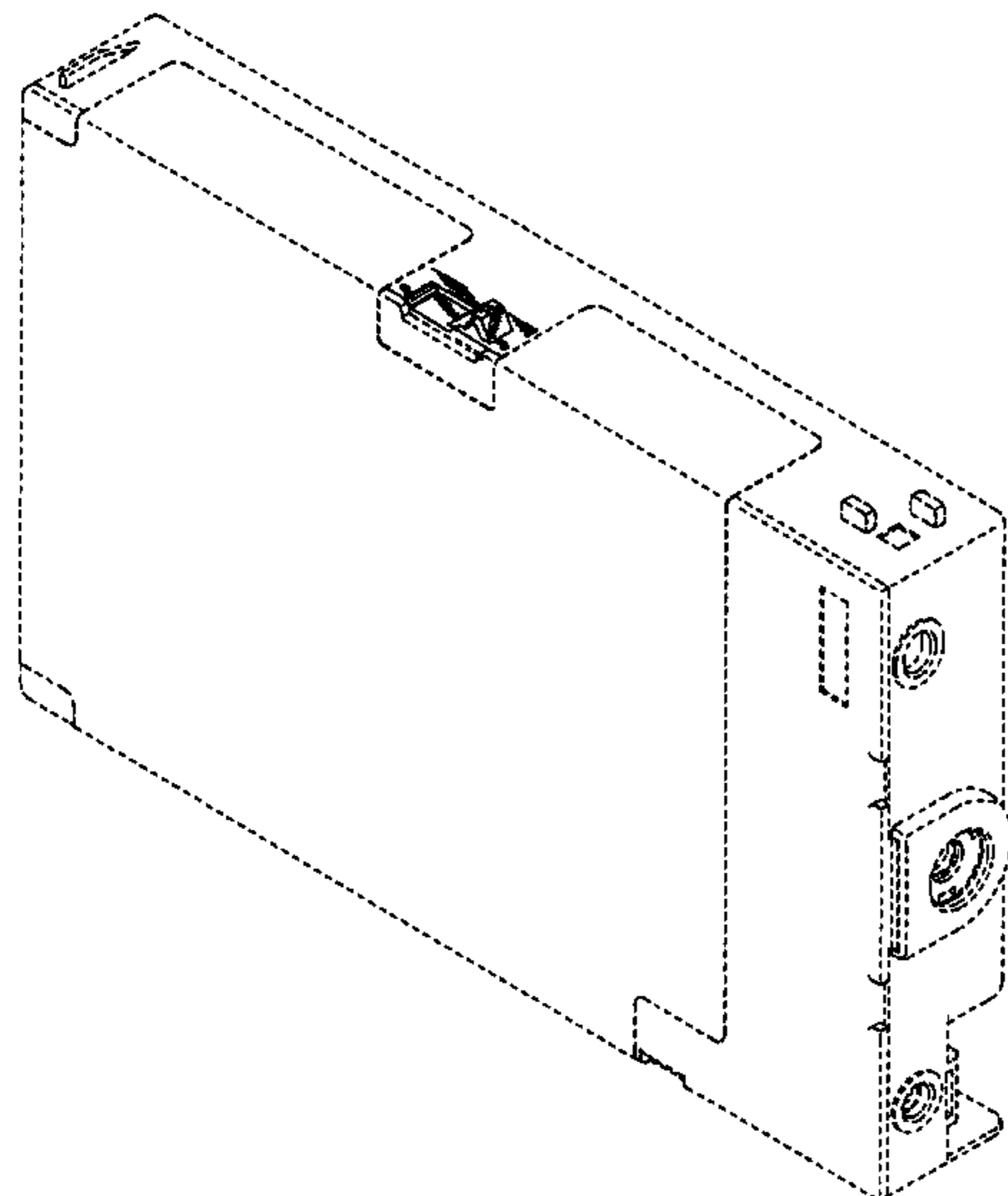


FIG. 1

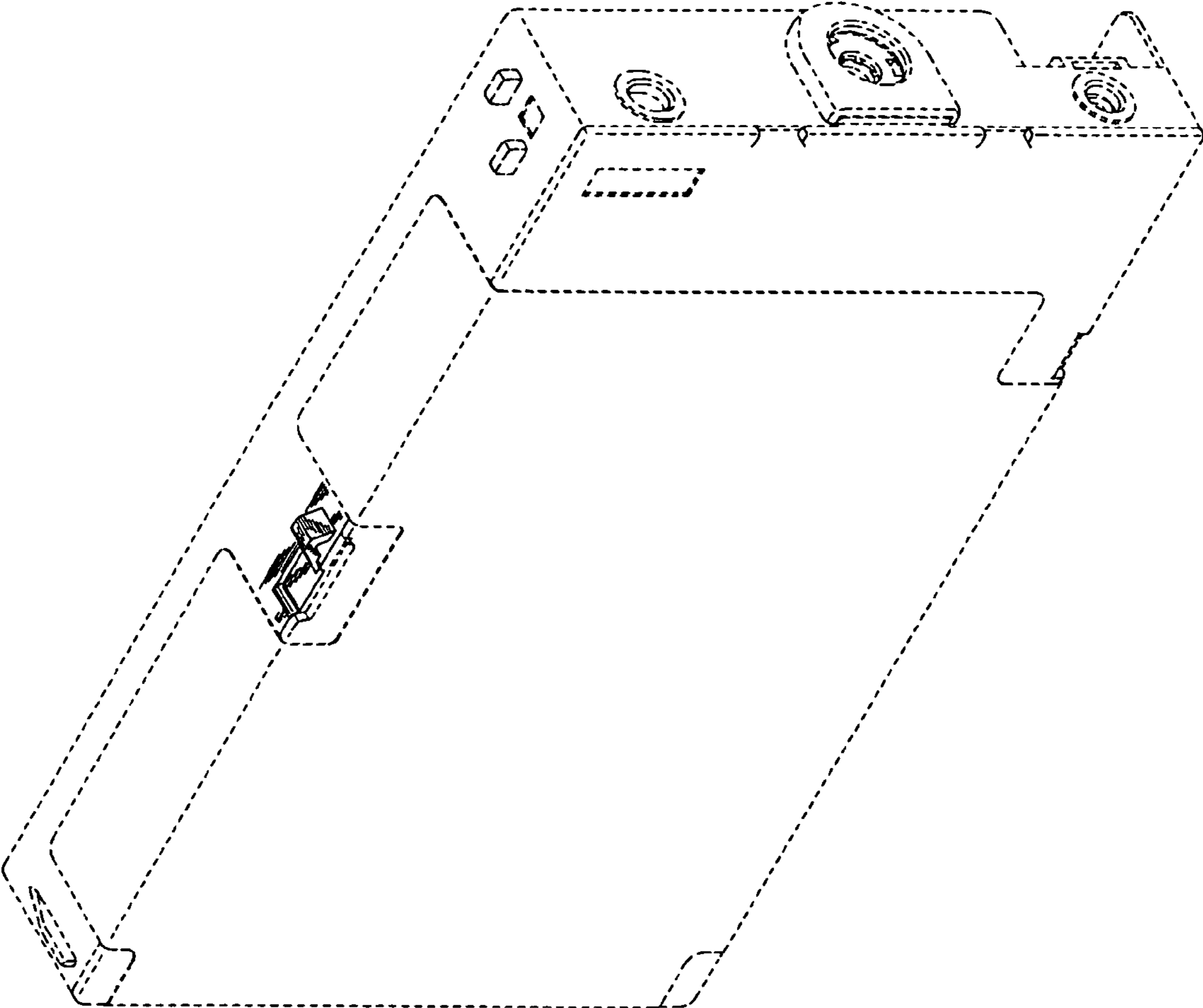


FIG. 2

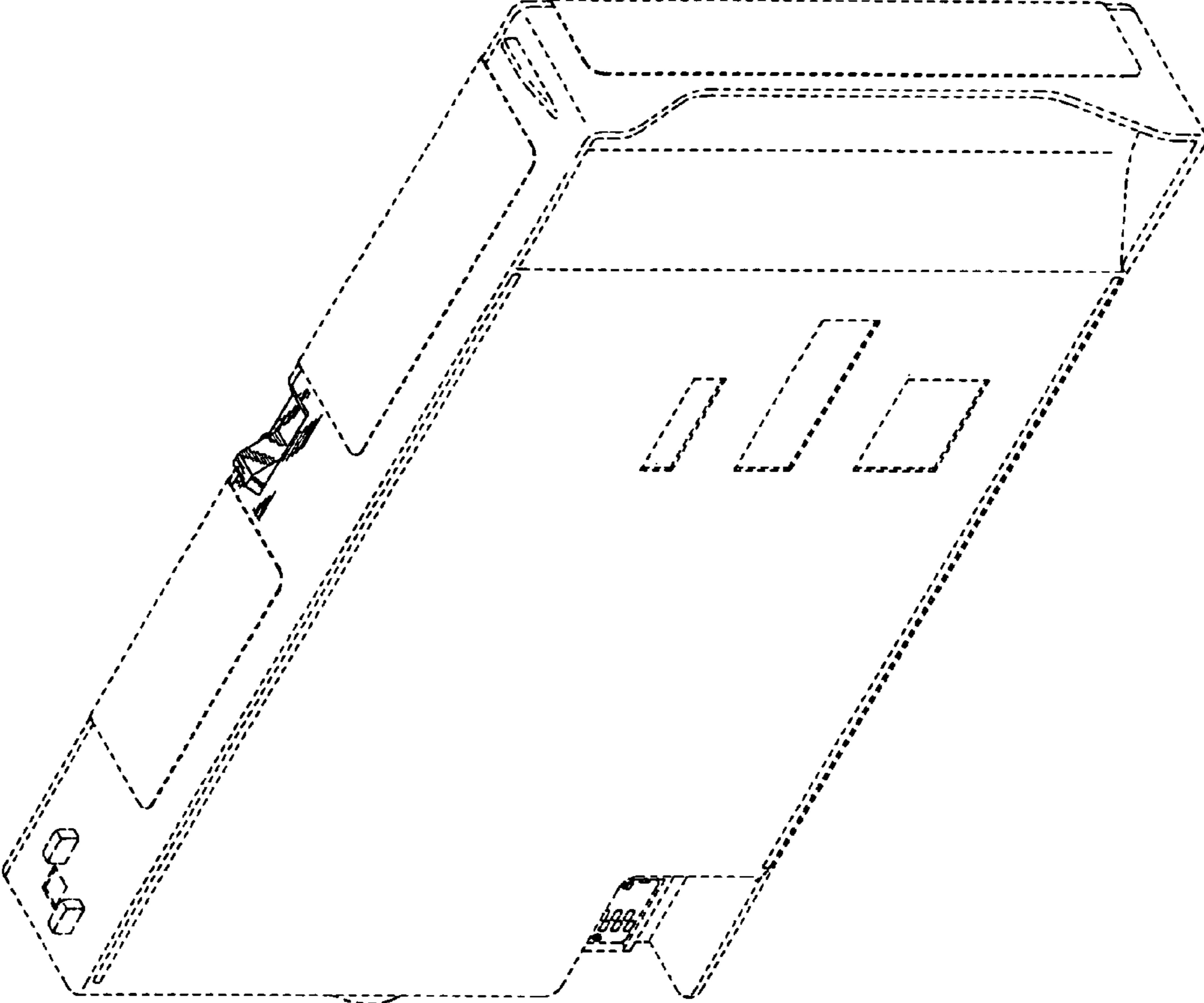


FIG. 3

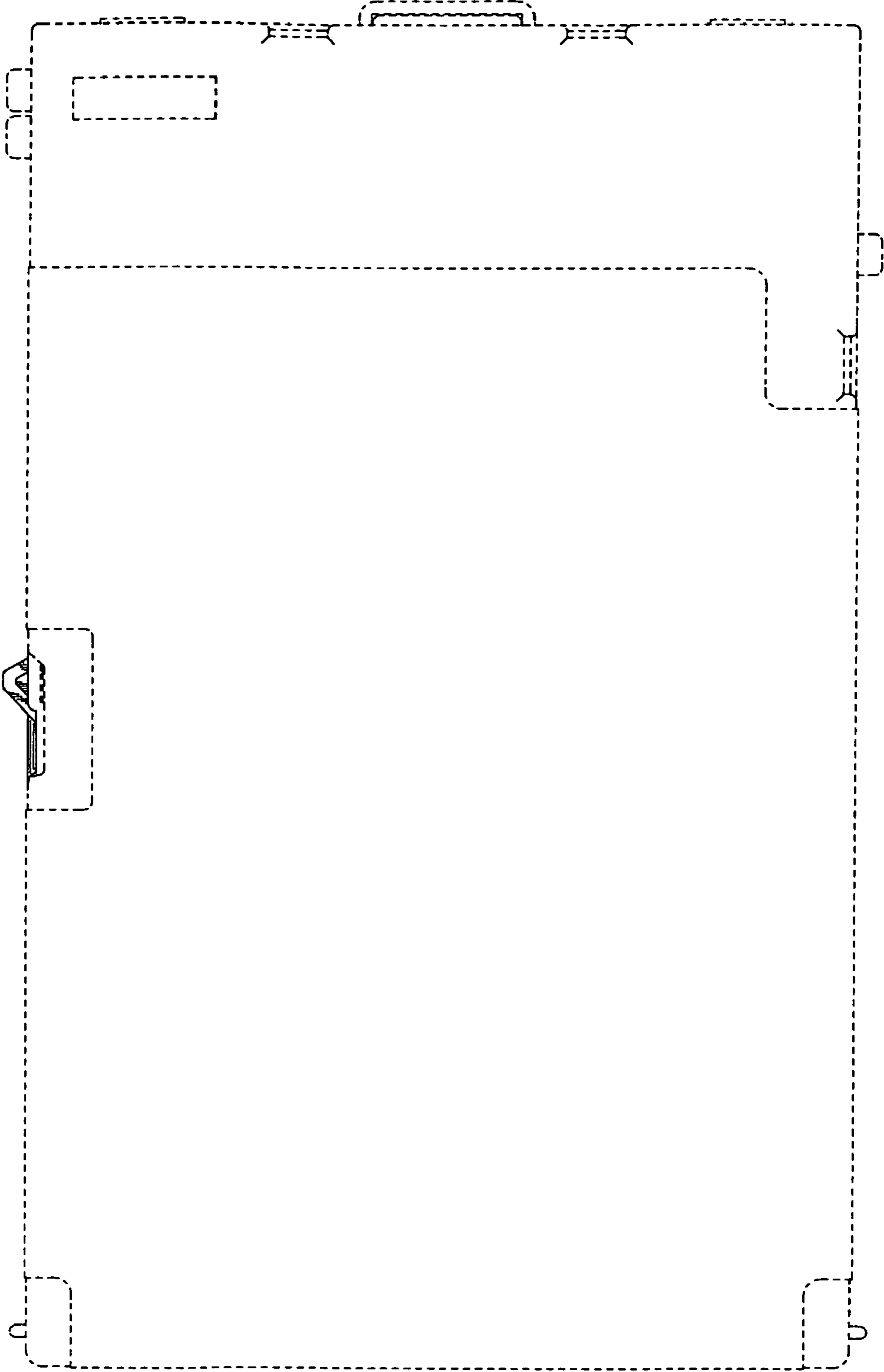


FIG. 4

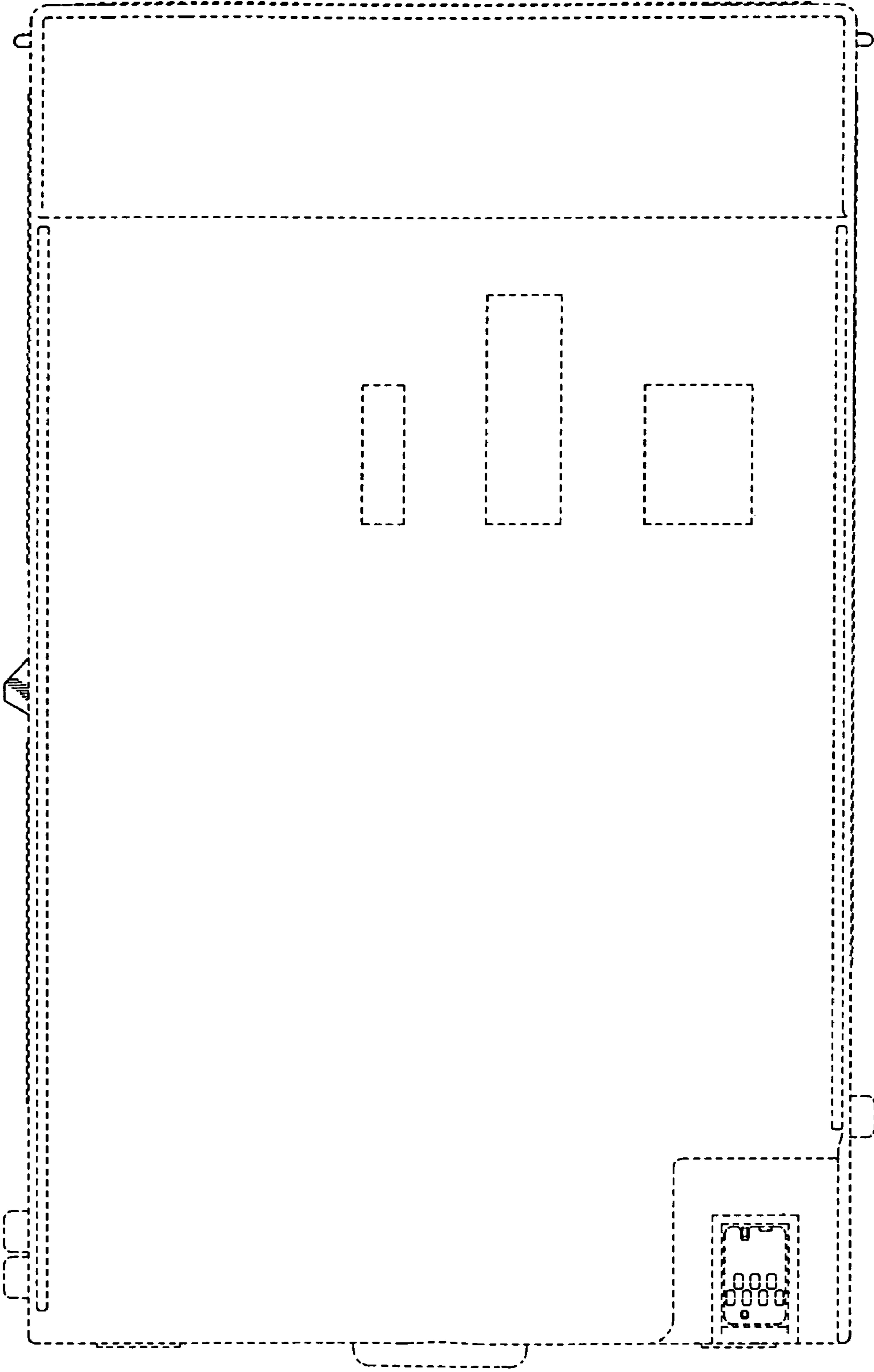


FIG. 5

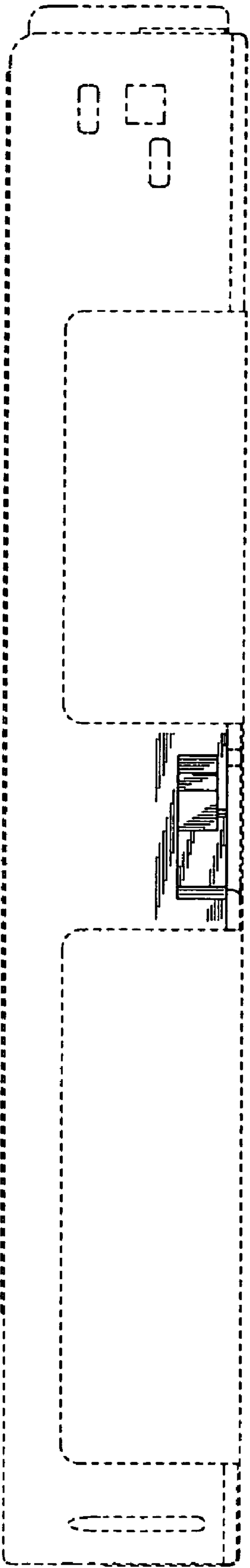


FIG. 6

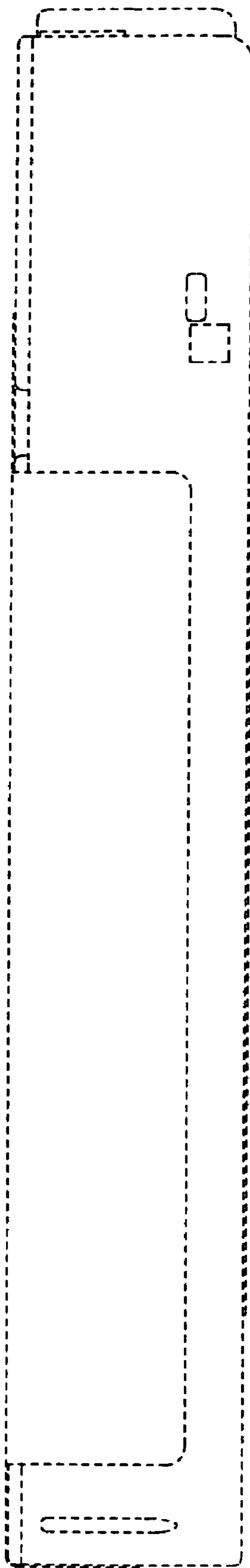


FIG. 8

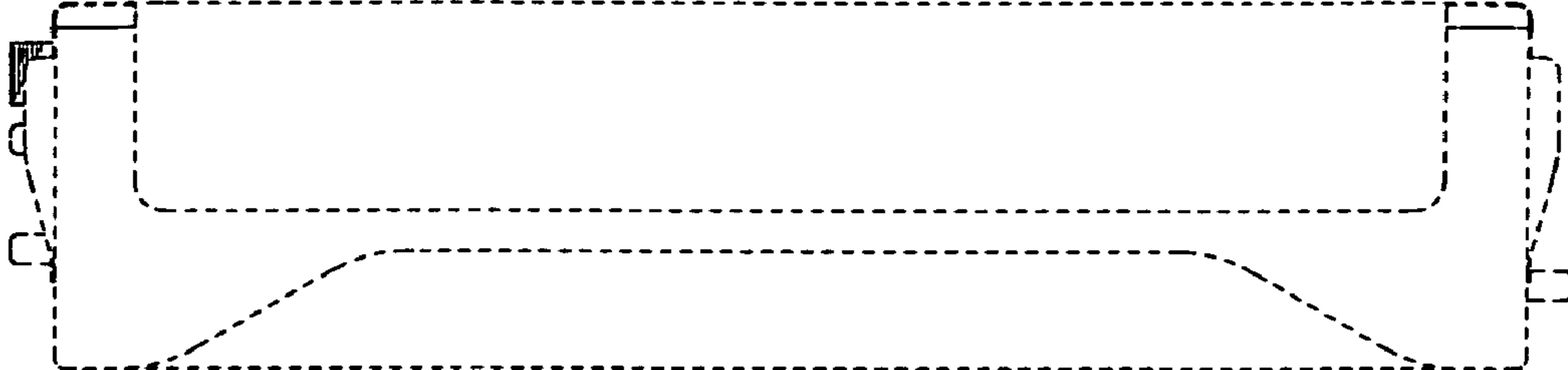


FIG. 7

