



US00D587306S

(12) **United States Design Patent**
Isogai

(10) **Patent No.:** **US D587,306 S**

(45) **Date of Patent:** **** Feb. 24, 2009**

(54) **PRINTER**

(75) Inventor: **Yoshitaka Isogai**, Machida (JP)

(73) Assignee: **Konica Minolta Business Technologies, Inc.**, Chiyoda-Ku, Tokyo (JP)

(**) Term: **14 Years**

(21) Appl. No.: **29/287,977**

(22) Filed: **Oct. 5, 2007**

(30) **Foreign Application Priority Data**

Apr. 9, 2007 (JP) 2007-009386

(51) **LOC (9) Cl.** **14-02**

(52) **U.S. Cl.** **D18/55**

(58) **Field of Classification Search** D18/36-39,
D18/50, 54, 54.1, 55; D14/420-425, 462-470;
400/613, 613.1-613.4, 690.1-690.4, 691-694
See application file for complete search history.

(56) **References Cited**

U.S. PATENT DOCUMENTS

- D313,613 S * 1/1991 Nagaya D18/55
- D337,781 S * 7/1993 Suzuki et al. D18/55
- D374,889 S * 10/1996 Barbera et al. D18/54
- D384,097 S * 9/1997 Ito D18/55
- D384,694 S * 10/1997 Kobayashi et al. D18/55
- D423,562 S * 4/2000 Kobayashi D18/55
- D443,891 S * 6/2001 Yonekawa et al. D18/55

- D452,704 S * 1/2002 Kobayashi D18/55
- D452,705 S * 1/2002 Takenouchi et al. D18/55
- D462,086 S * 8/2002 Falk et al. D18/55
- D478,619 S * 8/2003 Agata et al. D18/55
- D529,546 S * 10/2006 Kamiya et al. D18/55
- D535,687 S 1/2007 Tomono et al.
- D573,177 S 7/2008 Isogai et al.

* cited by examiner

Primary Examiner—Cathy Anne MacCormac

(74) *Attorney, Agent, or Firm*—Buchanan Ingersoll & Rooney PC

(57) **CLAIM**

The ornamental design for a printer, as shown.

DESCRIPTION

FIG. 1 is a top, front and right side perspective view of a printer showing our new design;

FIG. 2 is a top, front and right side perspective view thereof in condition of having the manual tray feeder opened;

FIG. 3 is a front elevational view of FIG. 1;

FIG. 4 is a rear elevational view of FIG. 1;

FIG. 5 is a left elevational view of 1;

FIG. 6 is a right elevational view of FIG. 1;

FIG. 7 is a top elevational view of FIG. 1; and,

FIG. 8 is a bottom elevational view of FIG. 1.

1 Claim, 8 Drawing Sheets

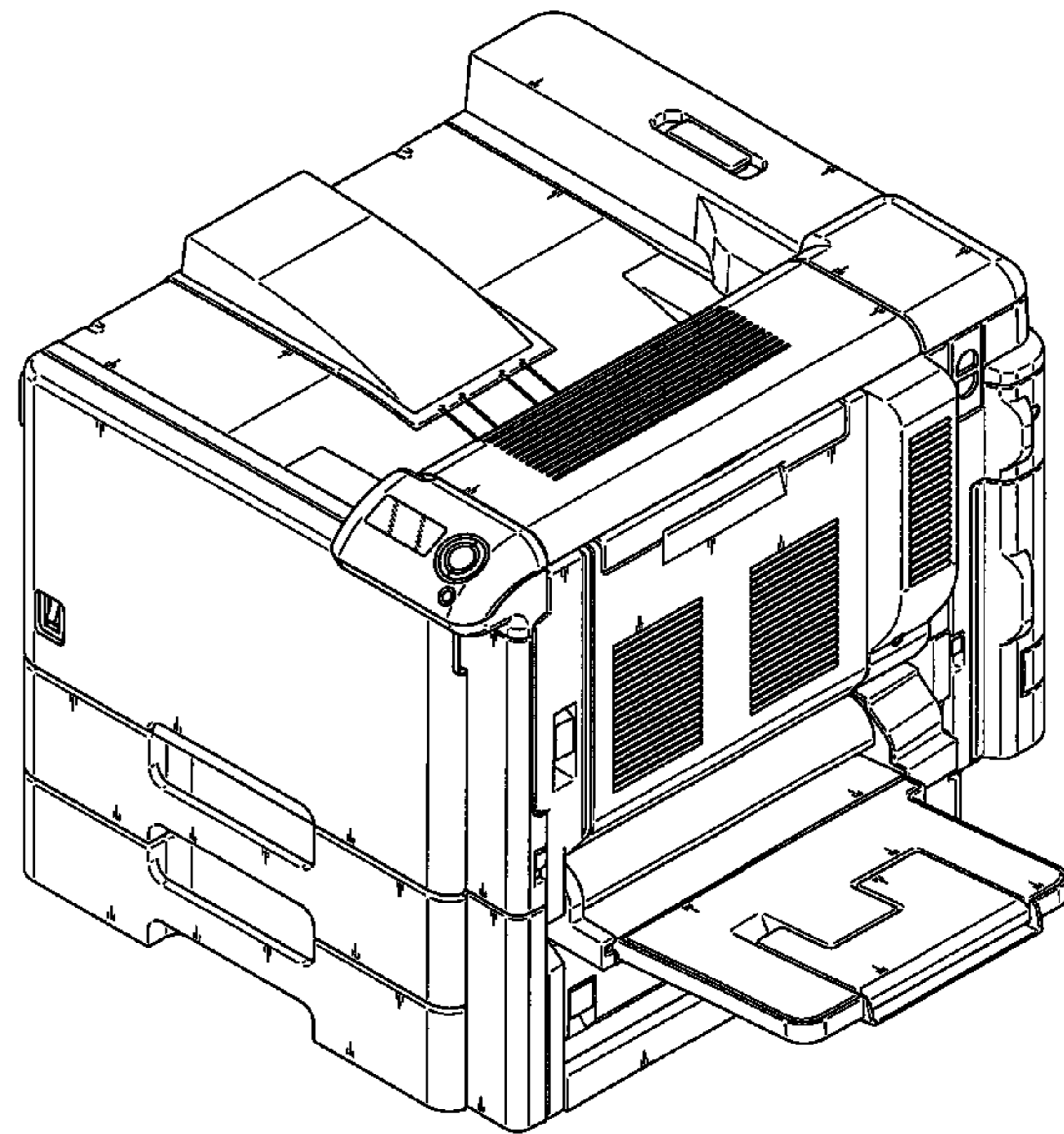
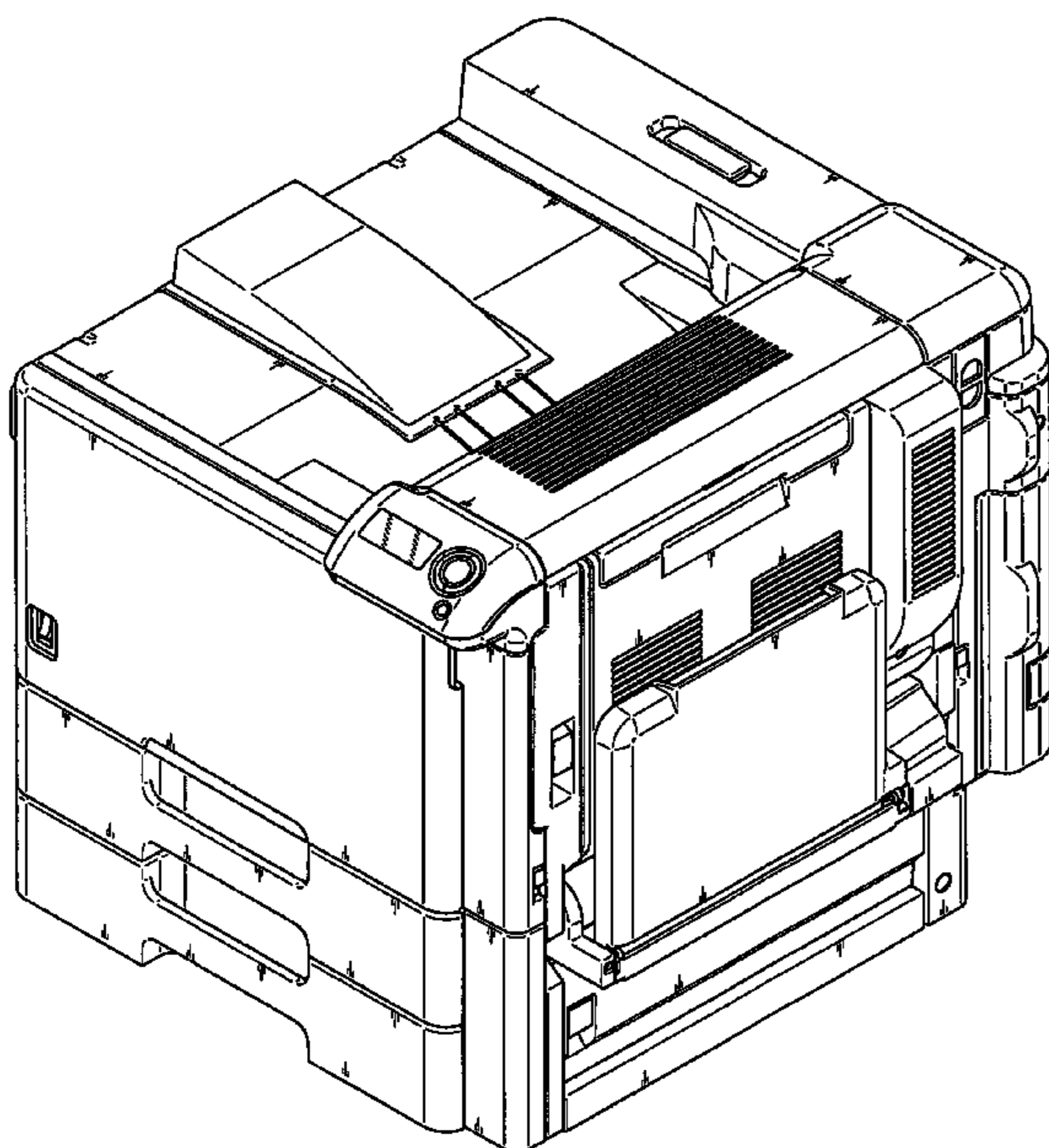


Fig. 1

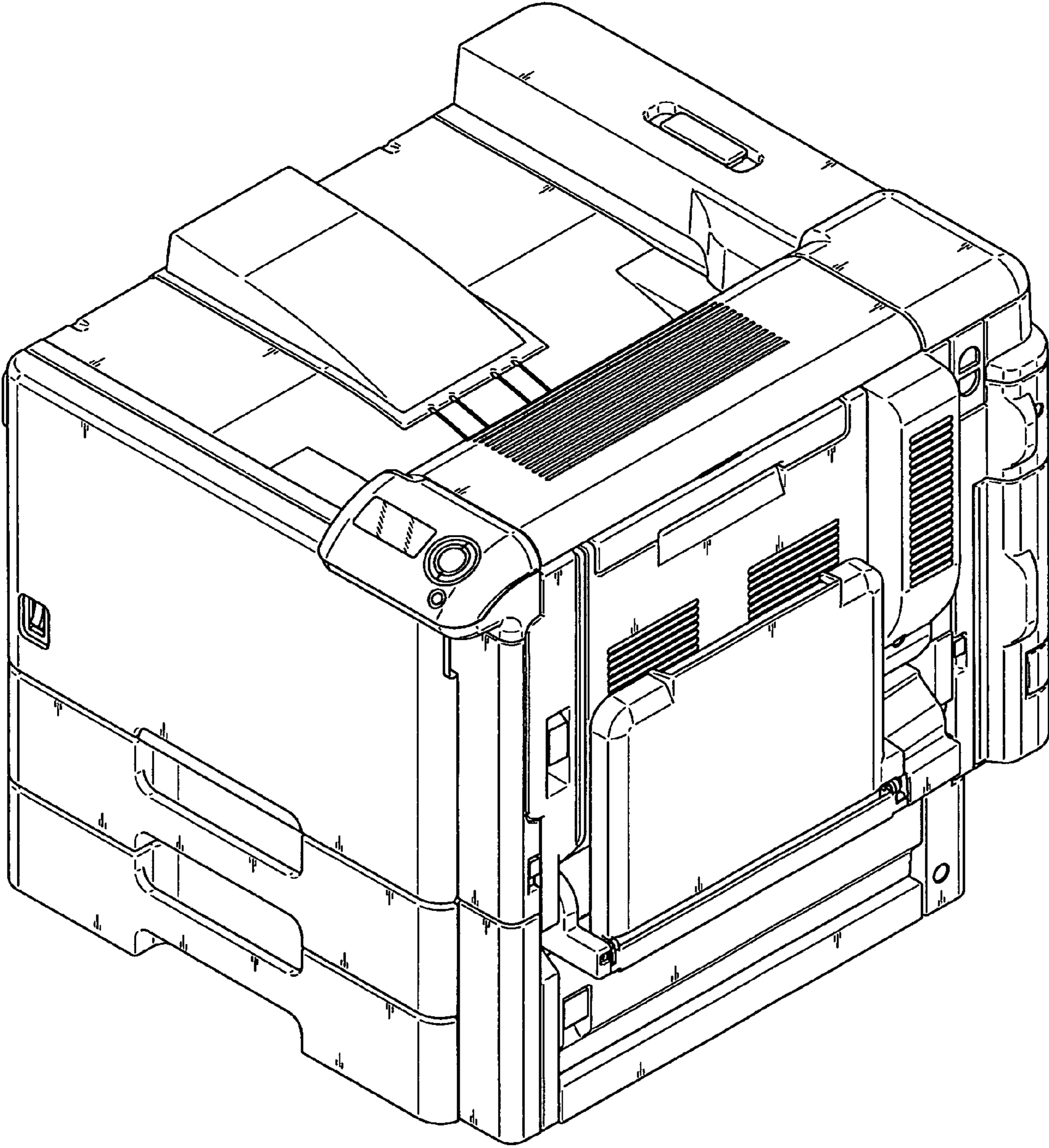


Fig. 2

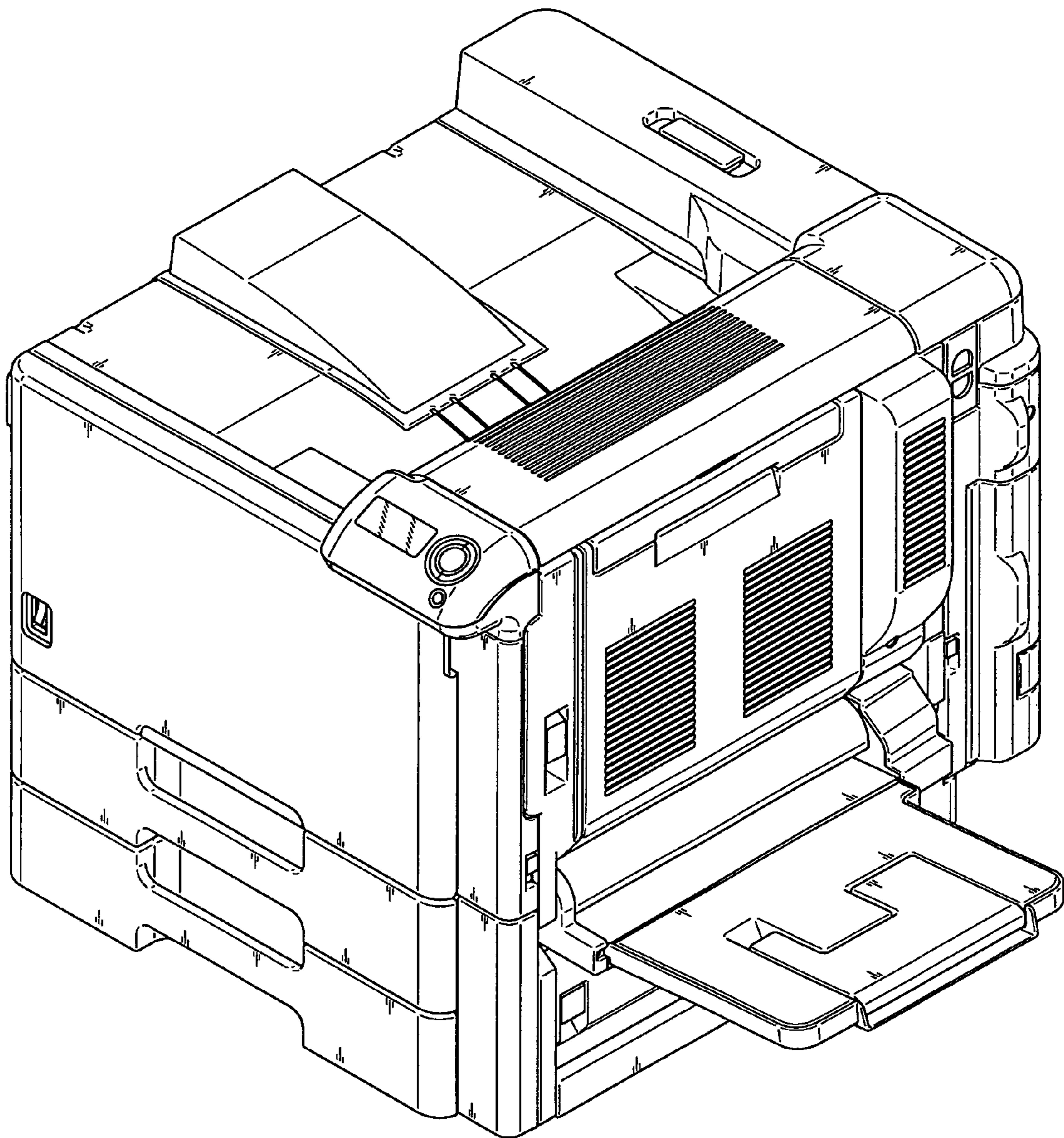


Fig. 3

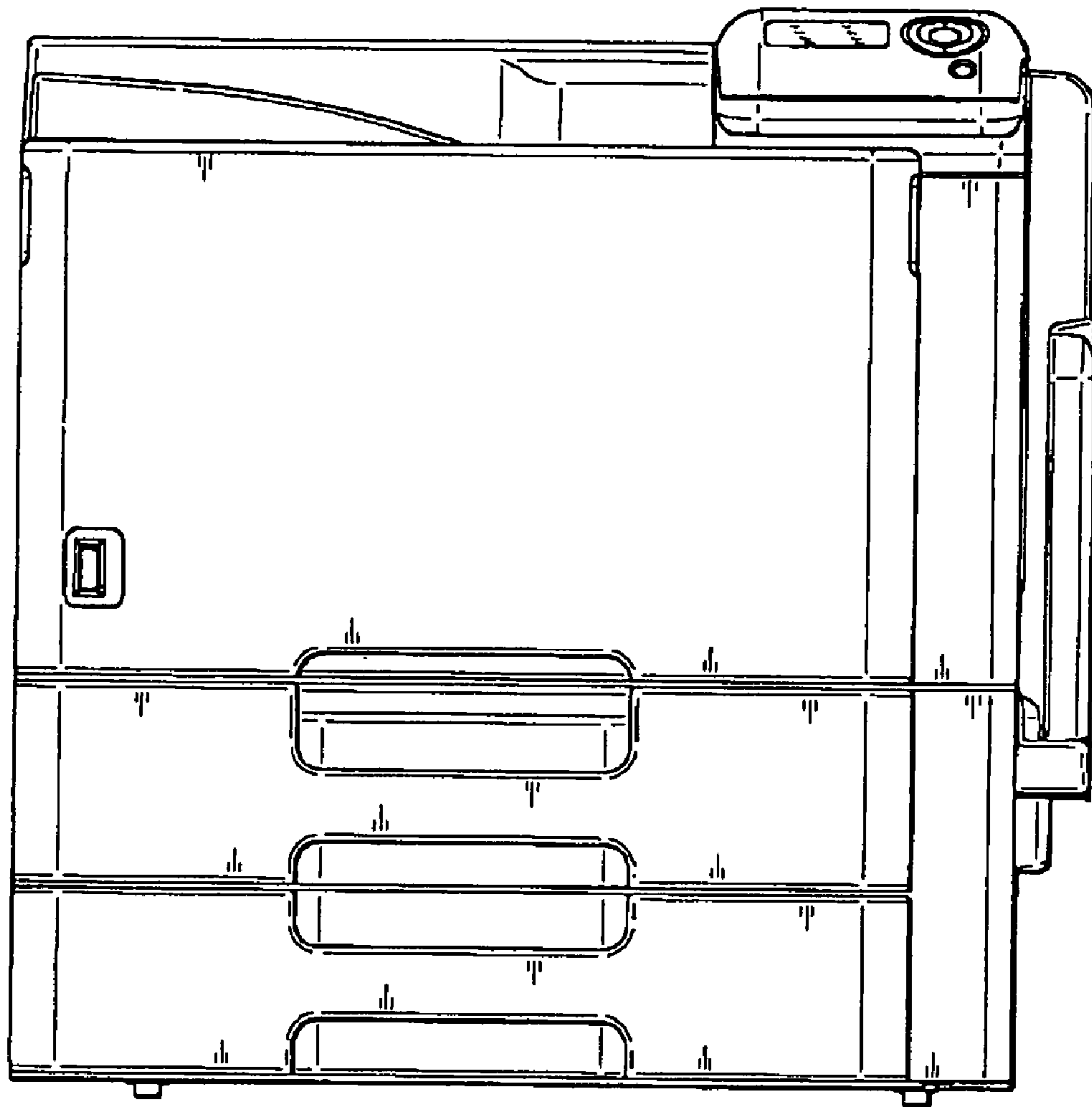


Fig. 4

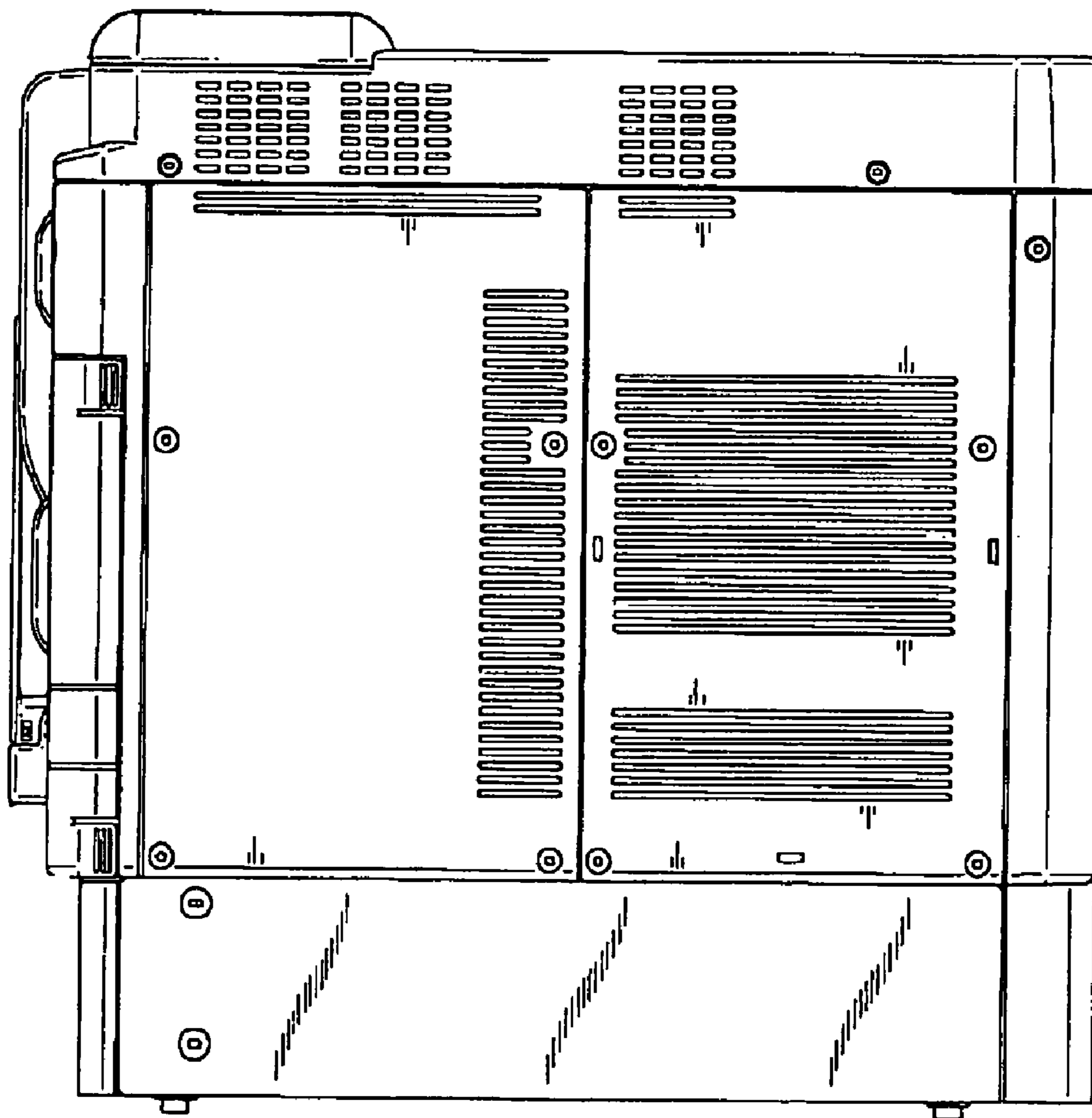


Fig. 5

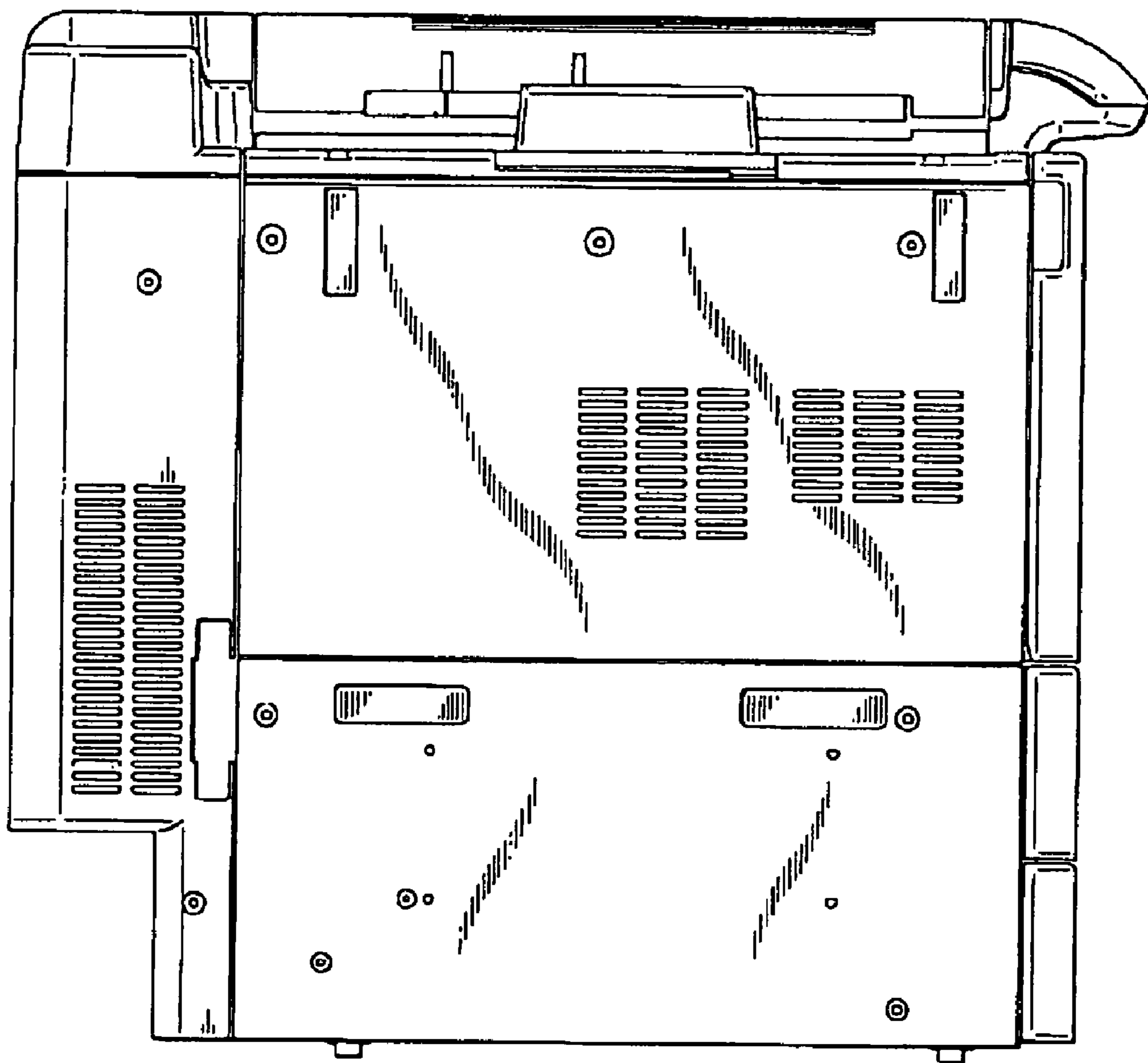


Fig. 6

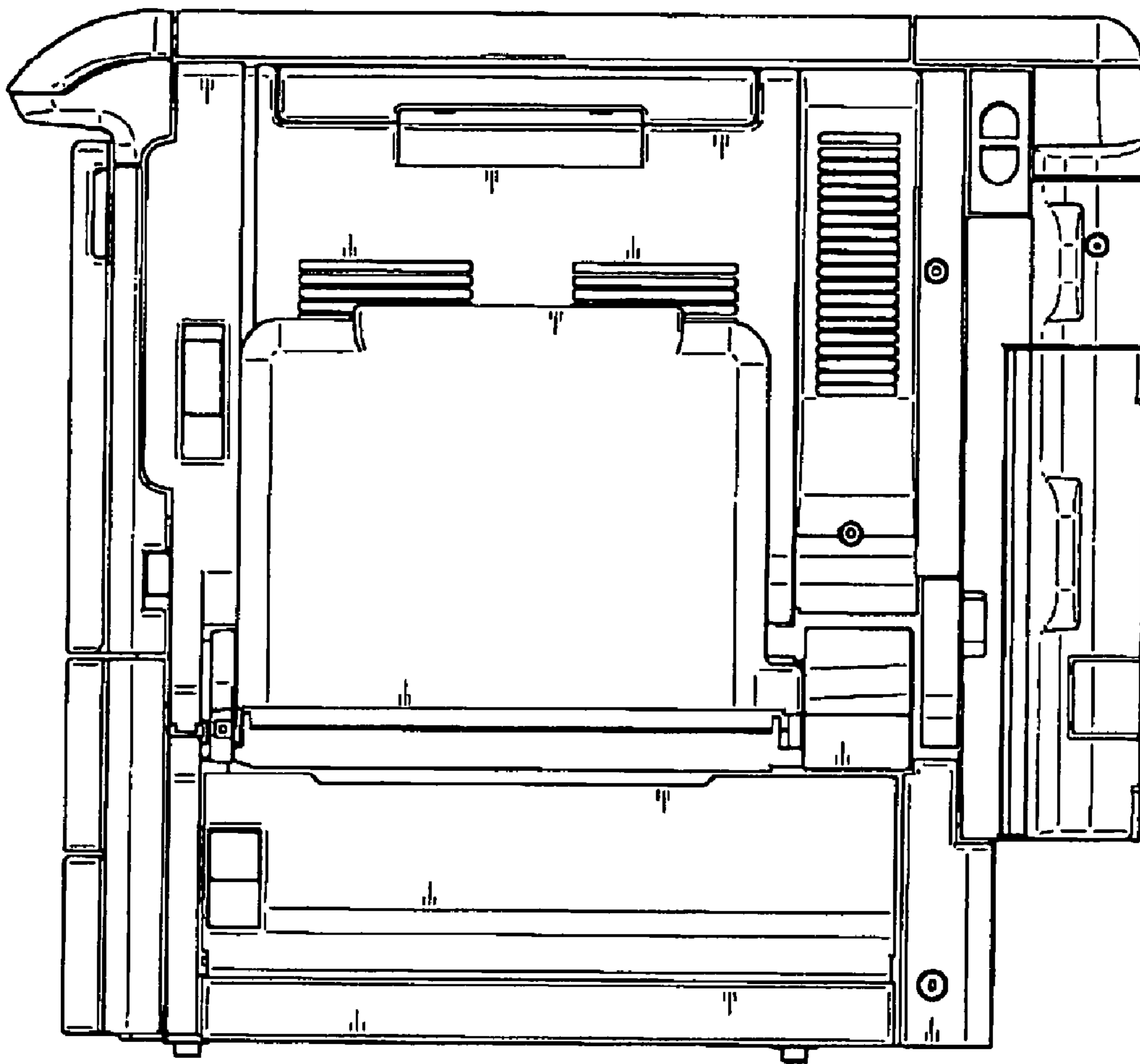


Fig. 7

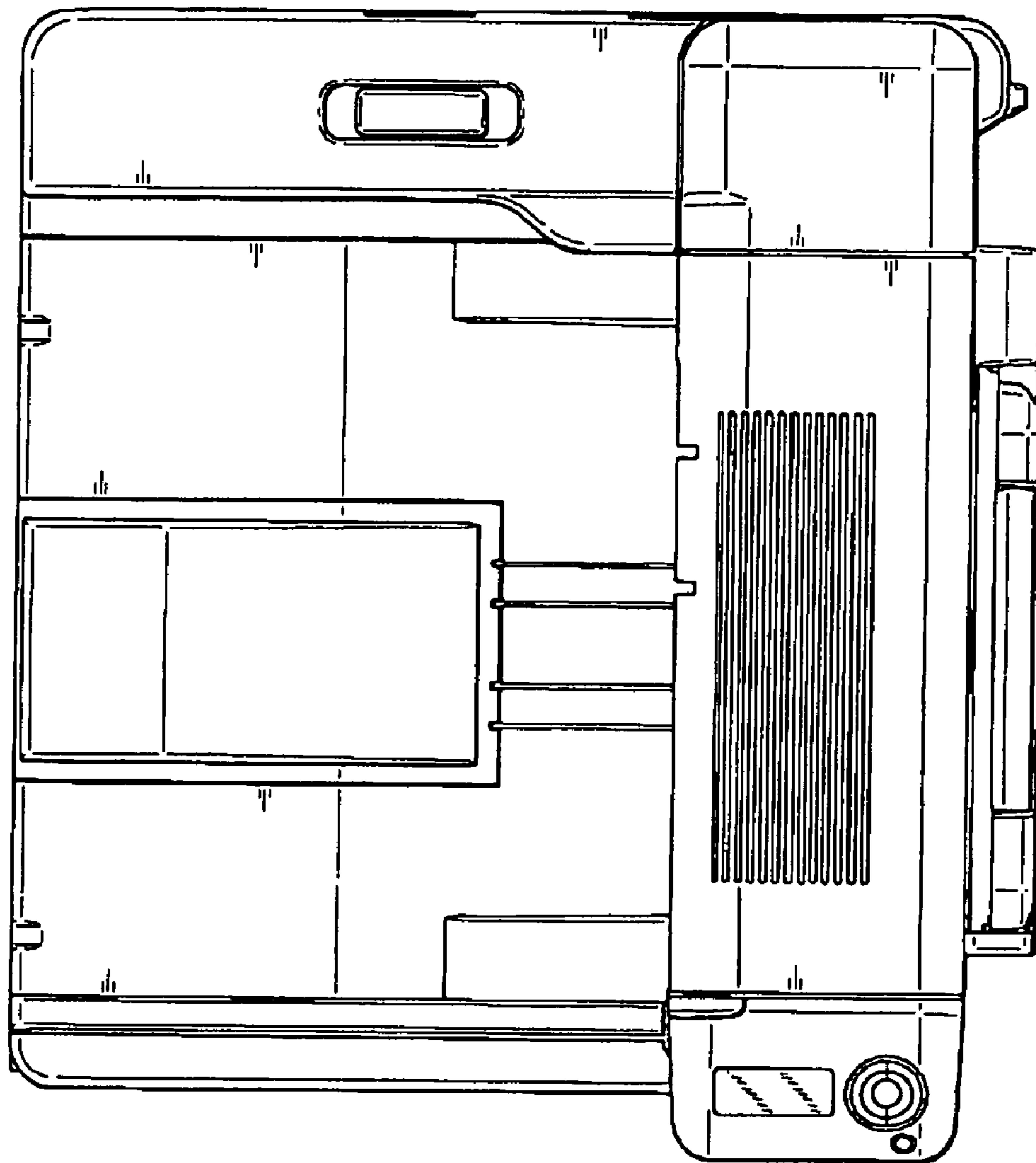


Fig. 8

