



US00D587305S

(12) **United States Design Patent**  
**Sakano**

(10) **Patent No.:** **US D587,305 S**

(45) **Date of Patent:** **\*\* Feb. 24, 2009**

(54) **PRINTER**

(75) Inventor: **Hideki Sakano**, Matsumoto (JP)

(73) Assignee: **Seiko Epson Corporation** (JP)

(\*\*) Term: **14 Years**

(21) Appl. No.: **29/288,410**

(22) Filed: **Jun. 8, 2007**

(30) **Foreign Application Priority Data**

Apr. 3, 2007 (JP) ..... 2007-008755  
Apr. 3, 2007 (JP) ..... 2007-008756

(51) **LOC (9) Cl.** ..... **18-02**

(52) **U.S. Cl.** ..... **D18/50**

(58) **Field of Classification Search** ..... D18/4.4,  
D18/36-39, 41, 50, 54-55; D14/420-425,  
D14/462-470; 400/613, 613.1-613.4, 690.1-690.4,  
400/691-694

See application file for complete search history.

(56) **References Cited**

**U.S. PATENT DOCUMENTS**

D219,148 S \* 11/1970 Priessnetz ..... D14/462  
D227,121 S \* 6/1973 Harrison ..... D14/463  
D343,856 S \* 2/1994 Chan ..... D18/50  
D350,364 S \* 9/1994 Kawashima et al. .... D18/50  
D358,826 S \* 5/1995 Kuhns ..... D15/146  
D415,789 S \* 10/1999 Lardant ..... D18/50  
D443,889 S \* 6/2001 Yamano et al. .... D18/50

D446,544 S \* 8/2001 Platner et al. .... D18/50  
D460,780 S \* 7/2002 Dwyer et al. .... D18/55  
D463,486 S \* 9/2002 Hetzer ..... D18/50  
D465,514 S \* 11/2002 Toh et al. .... D18/55  
D475,738 S \* 6/2003 Hwang et al. .... D18/55  
D529,079 S \* 9/2006 Sugrue et al. .... D18/51  
D530,364 S \* 10/2006 Huang ..... D18/55  
D550,680 S \* 9/2007 Ogawa et al. .... D14/462  
2002/0141806 A1 \* 10/2002 Endo et al. .... 400/693

\* cited by examiner

*Primary Examiner*—Cathy Anne MacCormac

(74) *Attorney, Agent, or Firm*—Harness, Dickey & Pierce, P.L.C.

(57) **CLAIM**

The ornamental design for a printer, as shown and described.

**DESCRIPTION**

FIG. 1 is a perspective view of a printer, as viewed from the top, front and right side, embodying my new design;

FIG. 2 is a perspective view thereof, as viewed from the top, rear and right side;

FIG. 3 is a right side view thereof;

FIG. 4 is a left side view thereof;

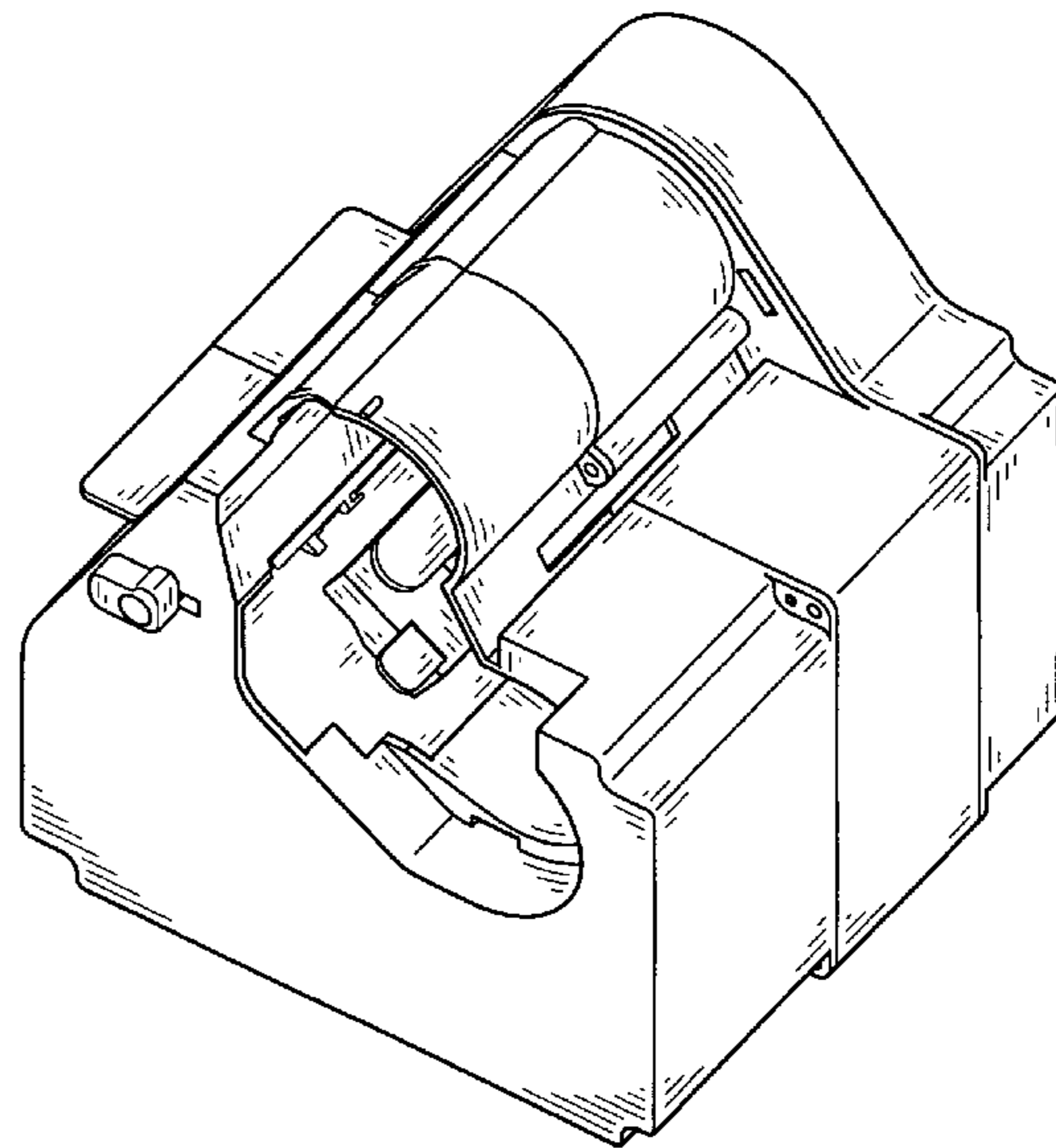
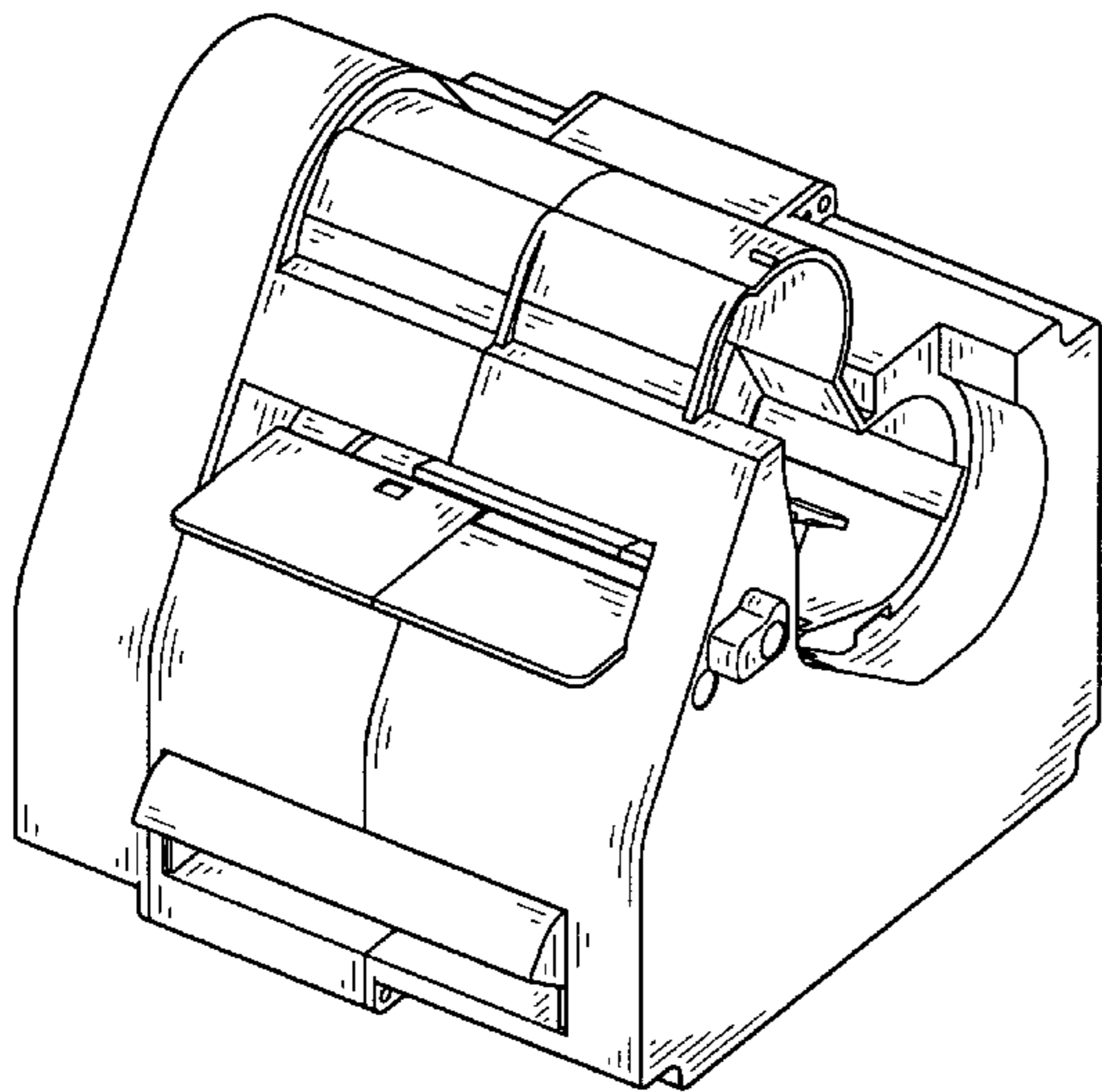
FIG. 5 is a front view thereof;

FIG. 6 is a rear view thereof;

FIG. 7 is a top view thereof; and,

FIG. 8 is a bottom view thereof.

**1 Claim, 4 Drawing Sheets**



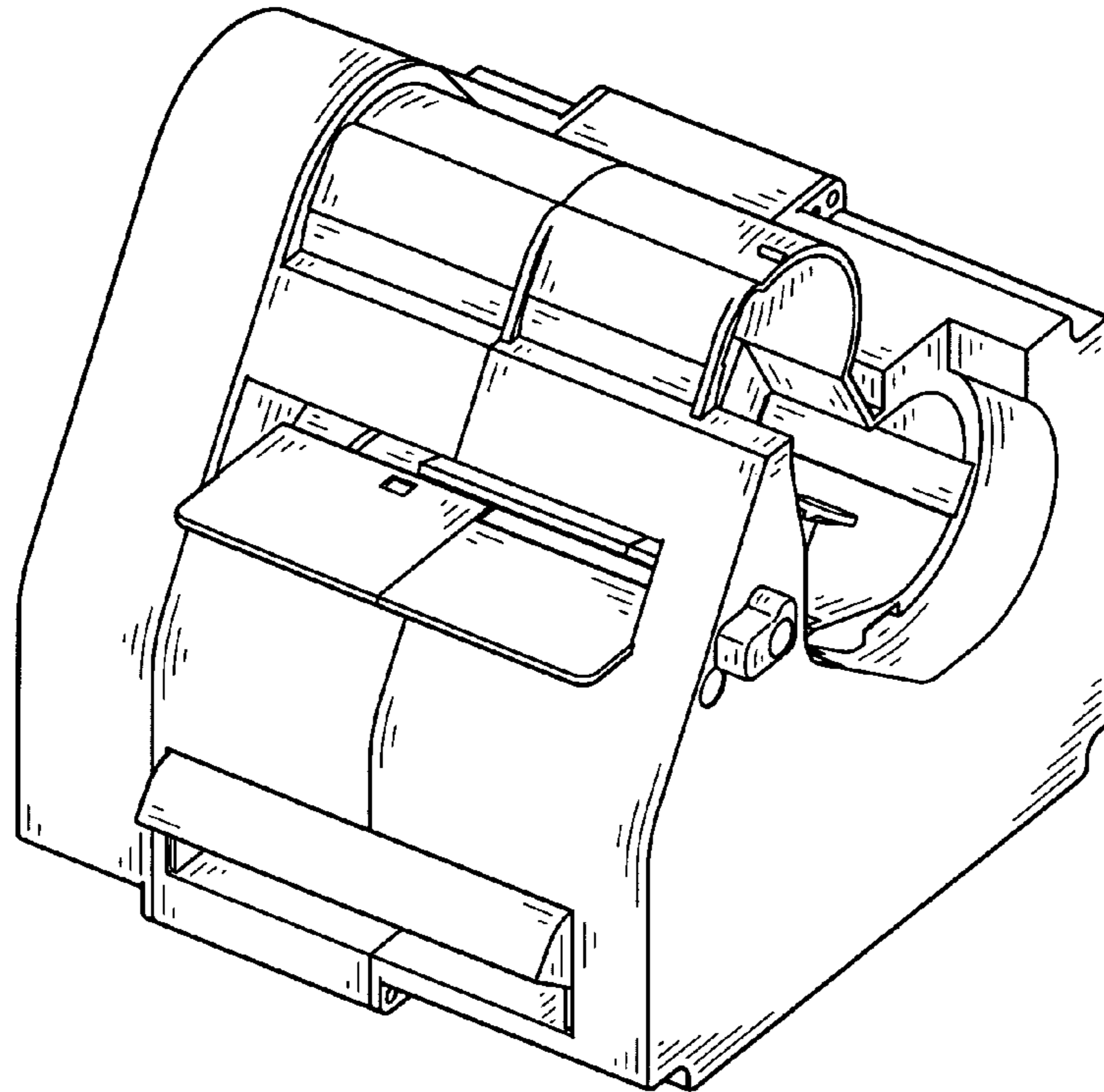


FIG. 1

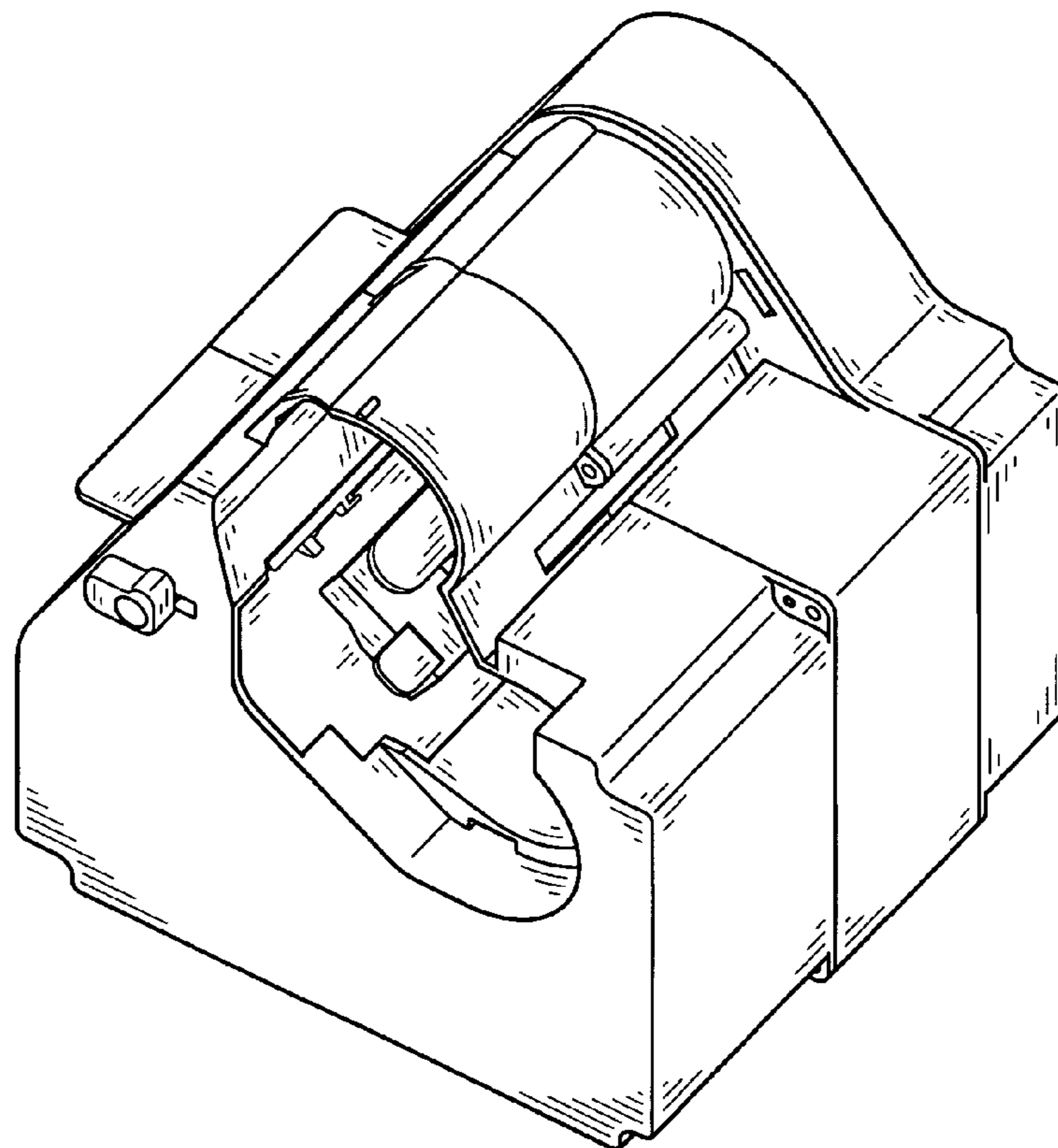


FIG. 2

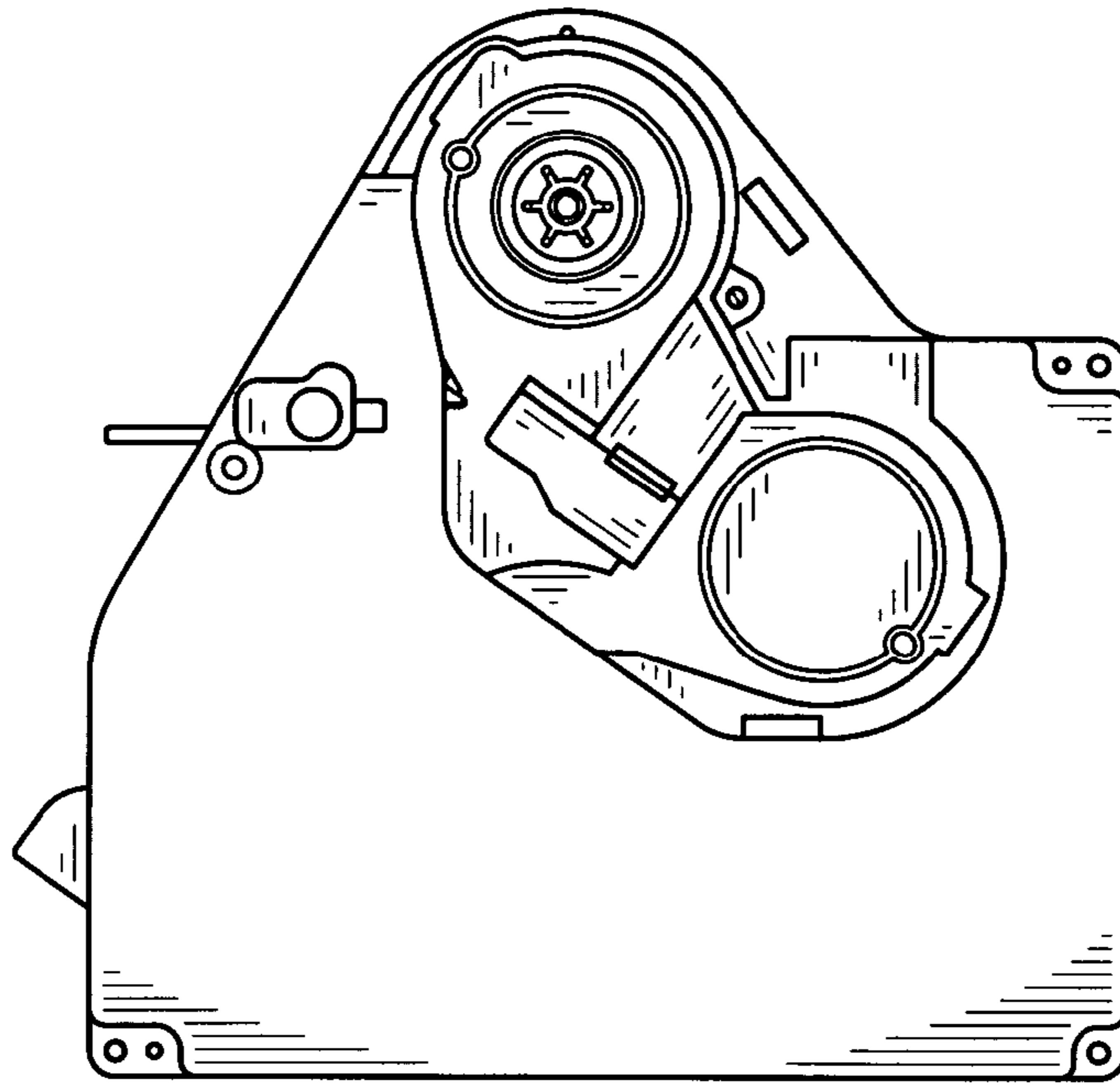


FIG. 3

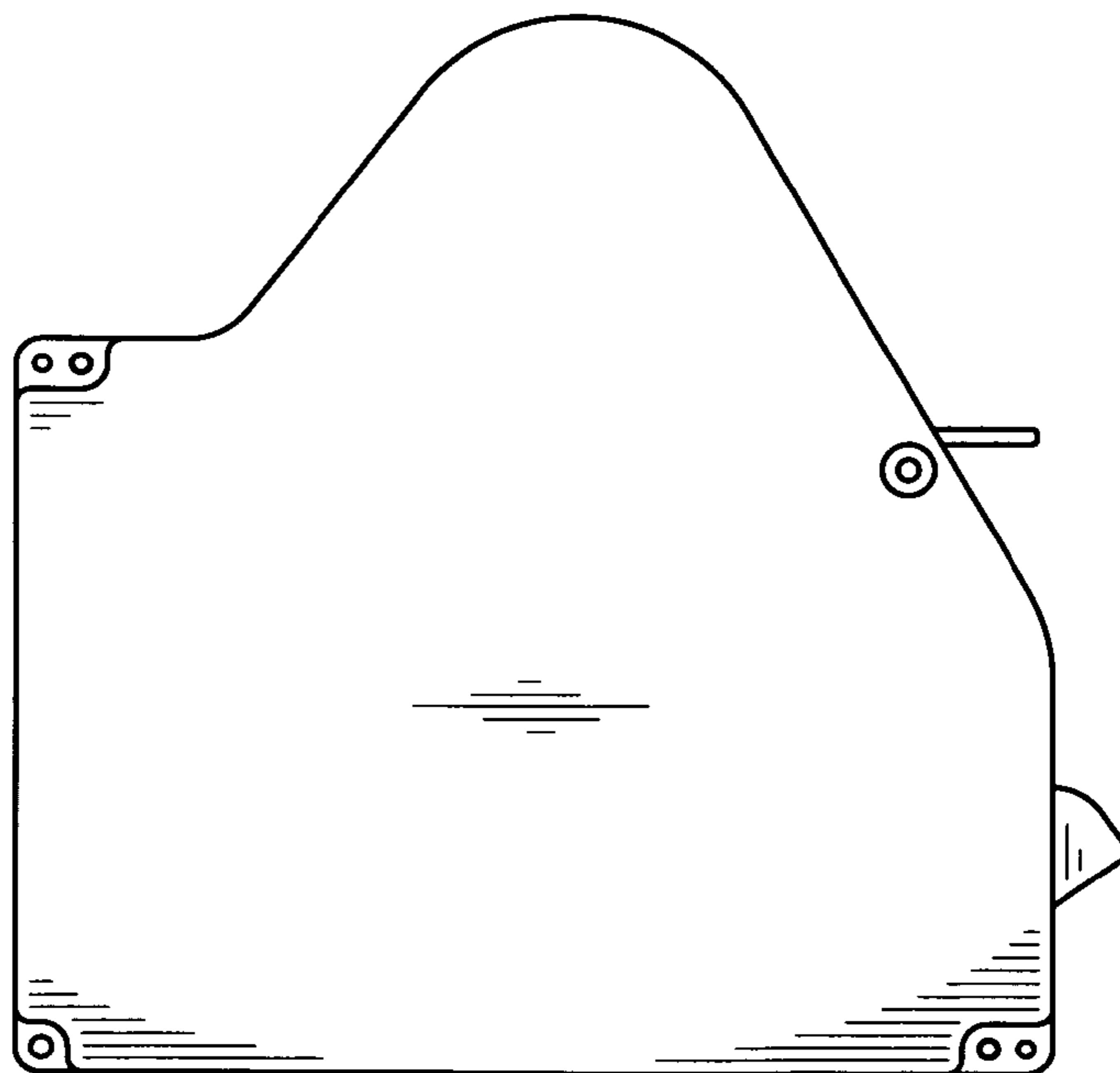


FIG. 4

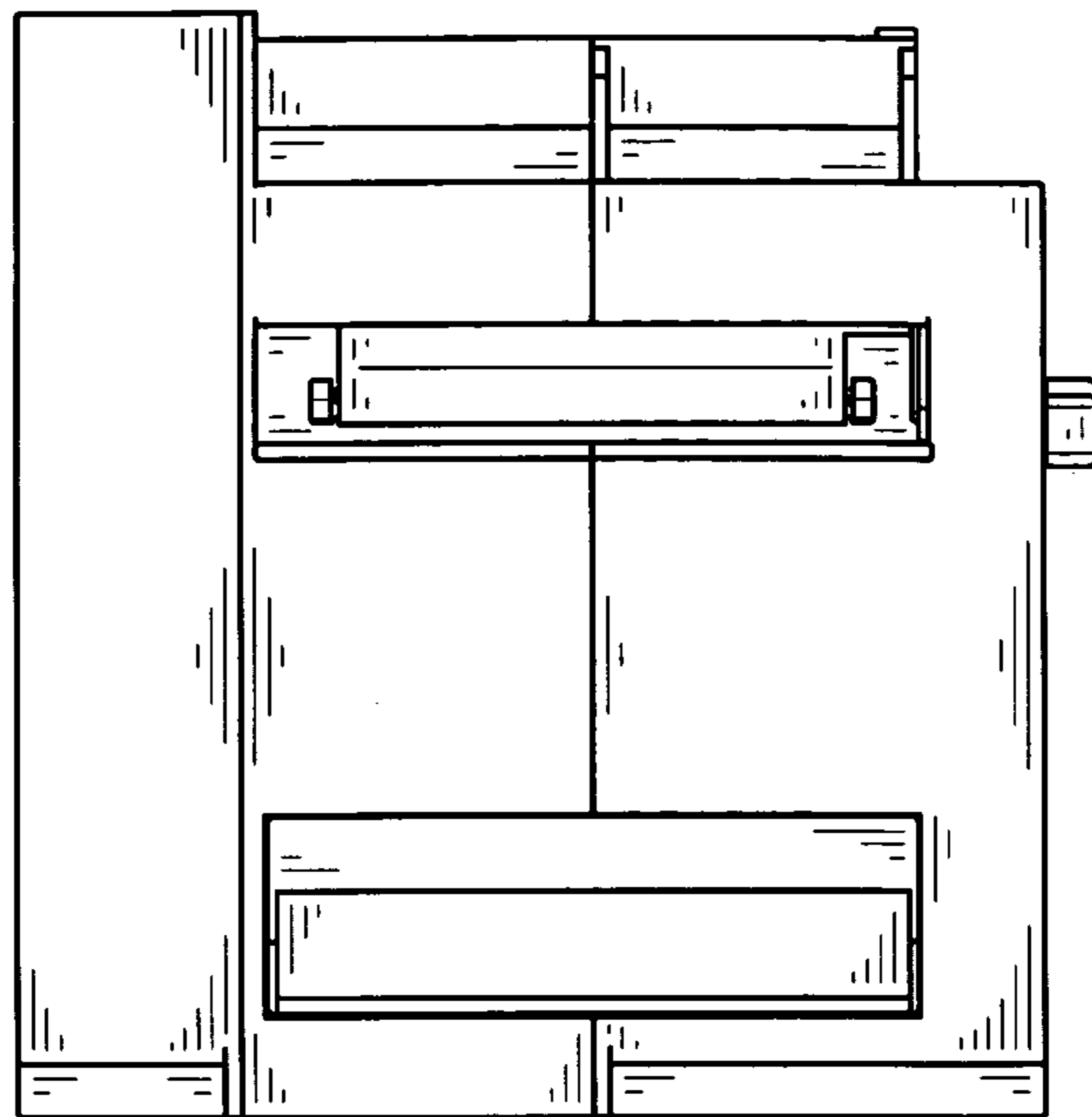


FIG. 5

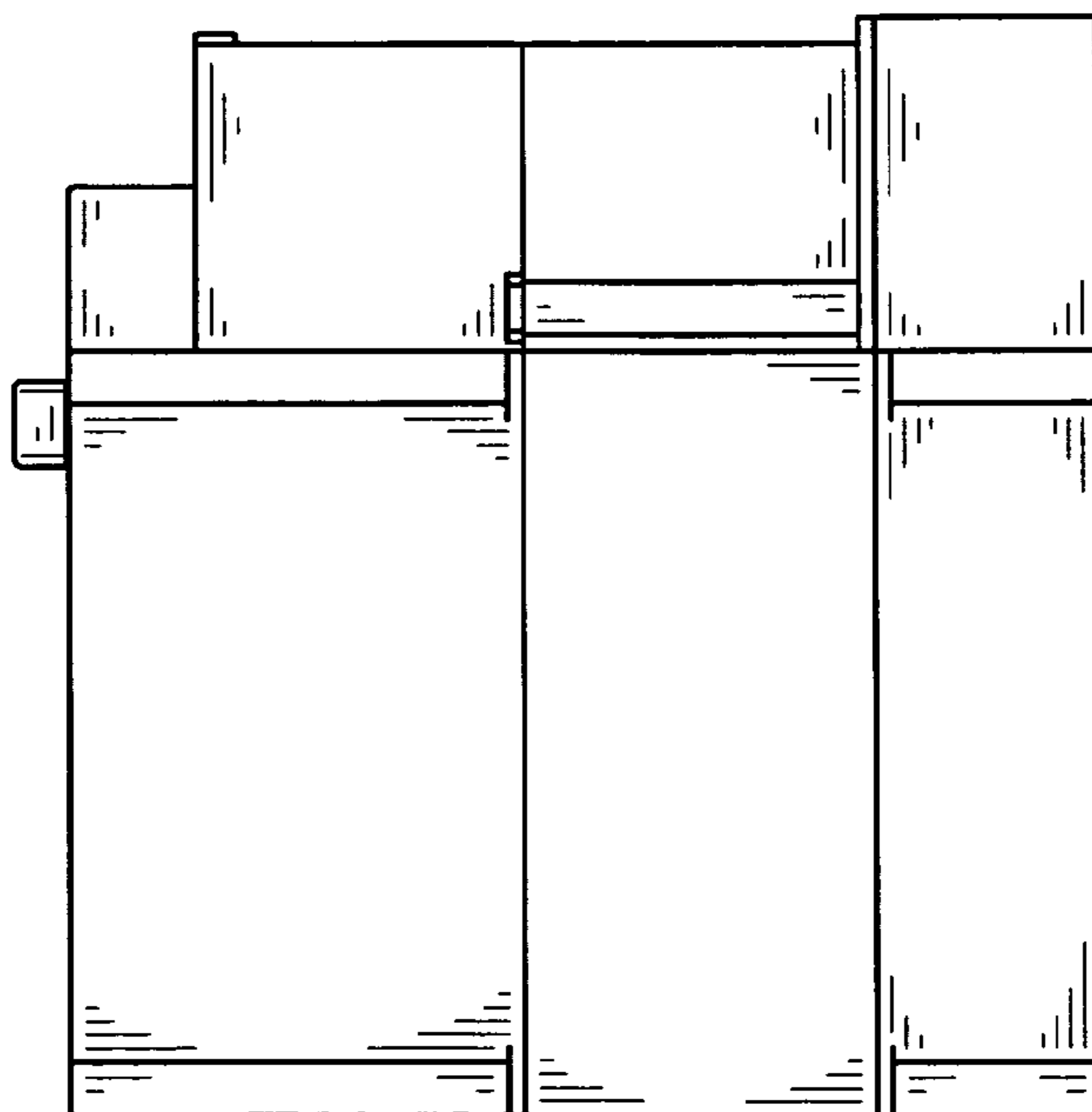


FIG. 6

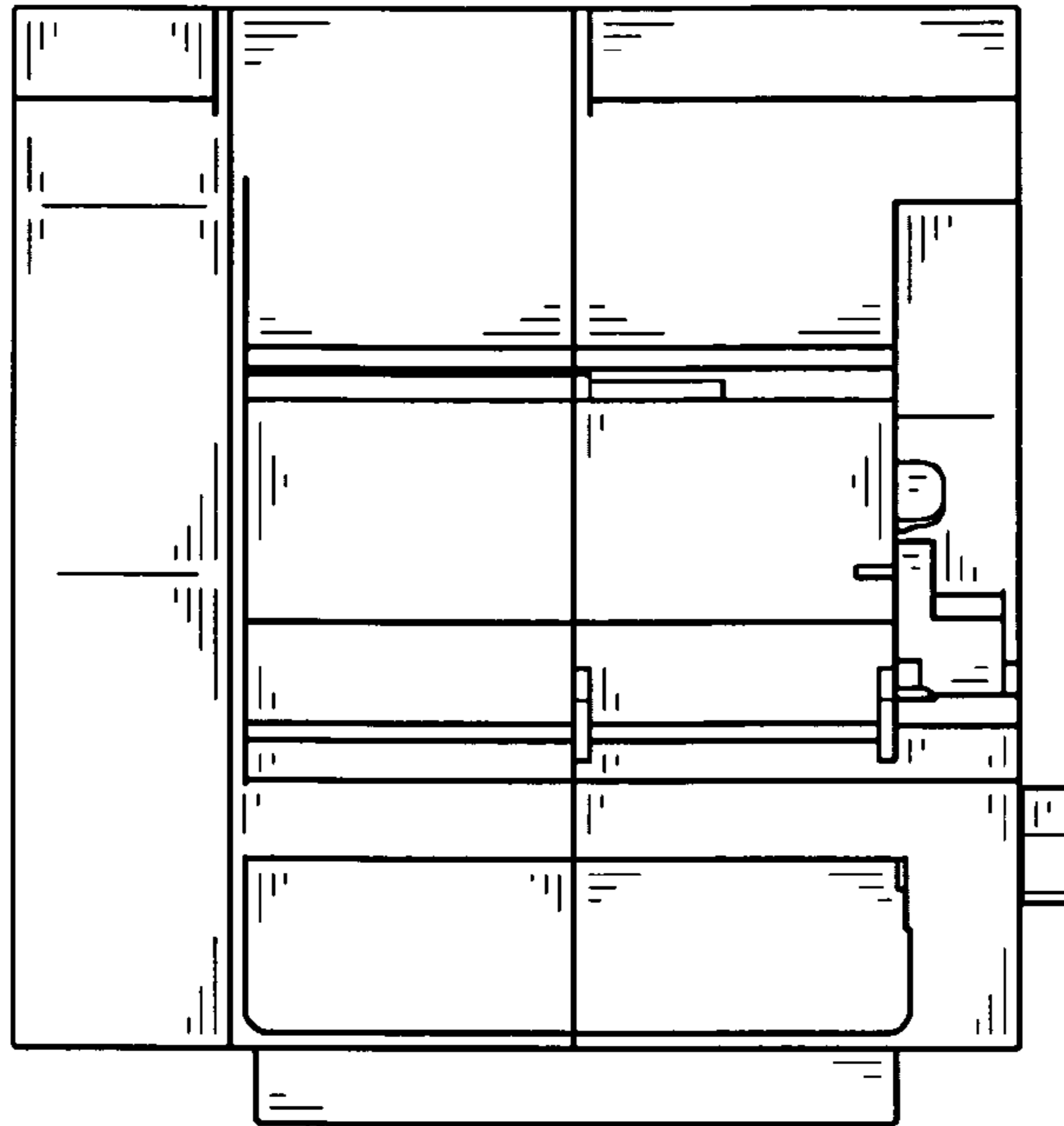


FIG. 7

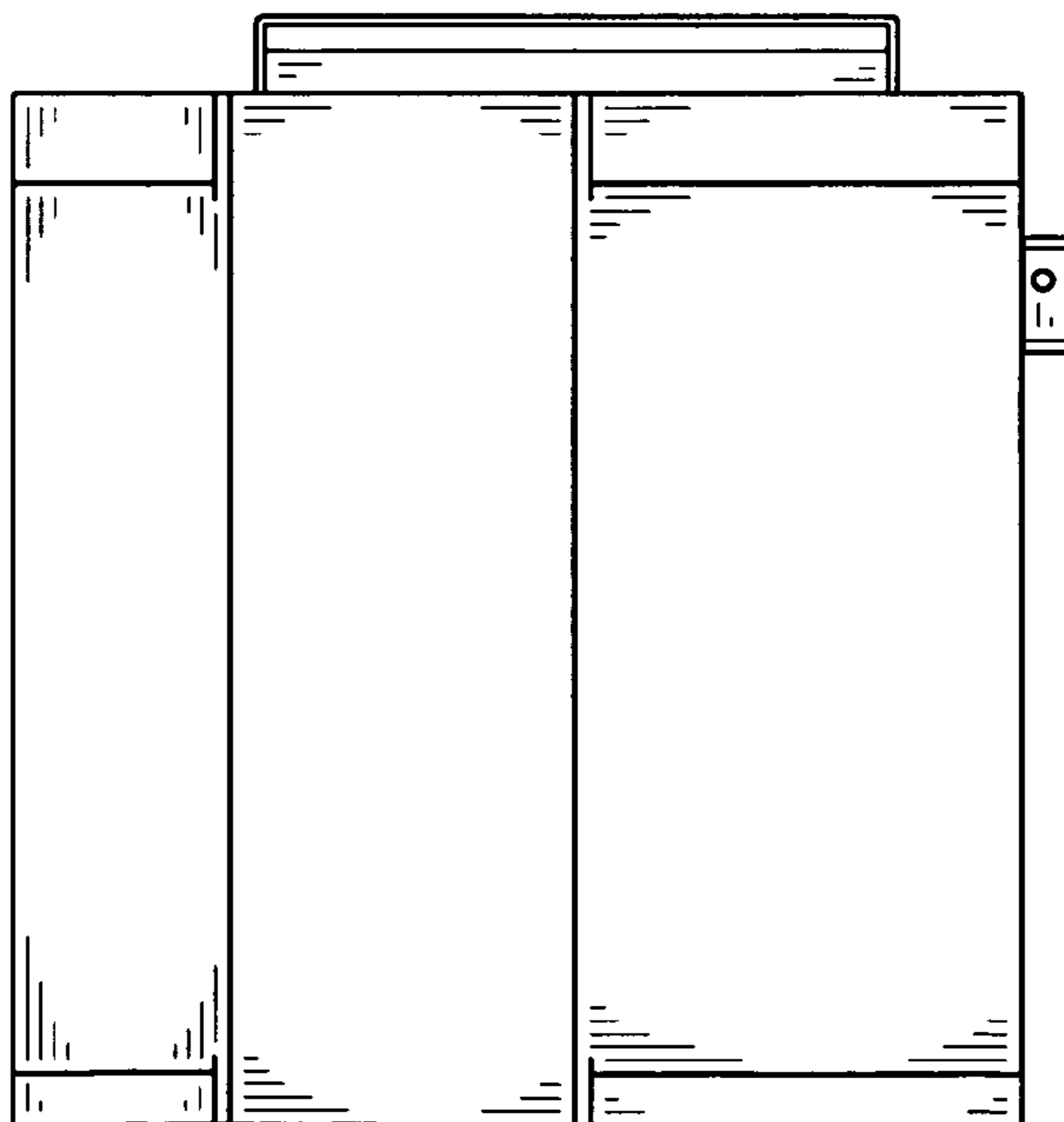


FIG. 8