



US00D587304S

(12) **United States Design Patent**
Murayama et al.

(10) **Patent No.:** **US D587,304 S**

(45) **Date of Patent:** **** Feb. 24, 2009**

(54) **TONER CARTRIDGE**

(75) Inventors: **Kazunari Murayama**, Numazu (JP);
Hideki Maeshima, Mishima (JP);
Masato Tanabe, Shizuoka-ken (JP);
Isao Koishi, Susono (JP)

(73) Assignee: **Canon Kabushiki Kaisha**, Tokyo (JP)

(**) Term: **14 Years**

(21) Appl. No.: **29/298,689**

(22) Filed: **Dec. 11, 2007**

(30) **Foreign Application Priority Data**

Sep. 10, 2007 (JP) 2007-024558

(51) **LOC (9) Cl.** **16-03**

(52) **U.S. Cl.** **D18/43**

(58) **Field of Classification Search** D14/471;
D18/12, 36-40, 43, 44, 46-49, 56; 222/DIG. 1;
347/197, 222; 399/24-28, 107-112, 119,
399/121, 122, 222-224

See application file for complete search history.

(56) **References Cited**

U.S. PATENT DOCUMENTS

6,385,416 B1 * 5/2002 Horikawa et al. 399/111
D478,614 S * 8/2003 Numagami et al. D18/40
6,912,365 B2 * 6/2005 Ueno et al. 399/25
D522,565 S * 6/2006 Sanada et al. D18/43
2001/0028811 A1 * 10/2001 Kojima et al. 399/111

2004/0052538 A1 * 3/2004 Yugeta et al. 399/27

* cited by examiner

Primary Examiner—Caron Veynar

Assistant Examiner—Garth Rademaker

(74) *Attorney, Agent, or Firm*—Fitpatrick, Cella, Harper & Scinto

(57) **CLAIM**

The ornamental design for a toner cartridge, as shown and described.

DESCRIPTION

FIG. 1 is a front view of a toner cartridge showing our new design;

FIG. 2 is a rear view thereof;

FIG. 3 is a top plan view thereof;

FIG. 4 is a bottom plan view thereof;

FIG. 5 is a left side view thereof;

FIG. 6 is a right side view thereof;

FIG. 7 is a front, top, right side perspective view thereof;

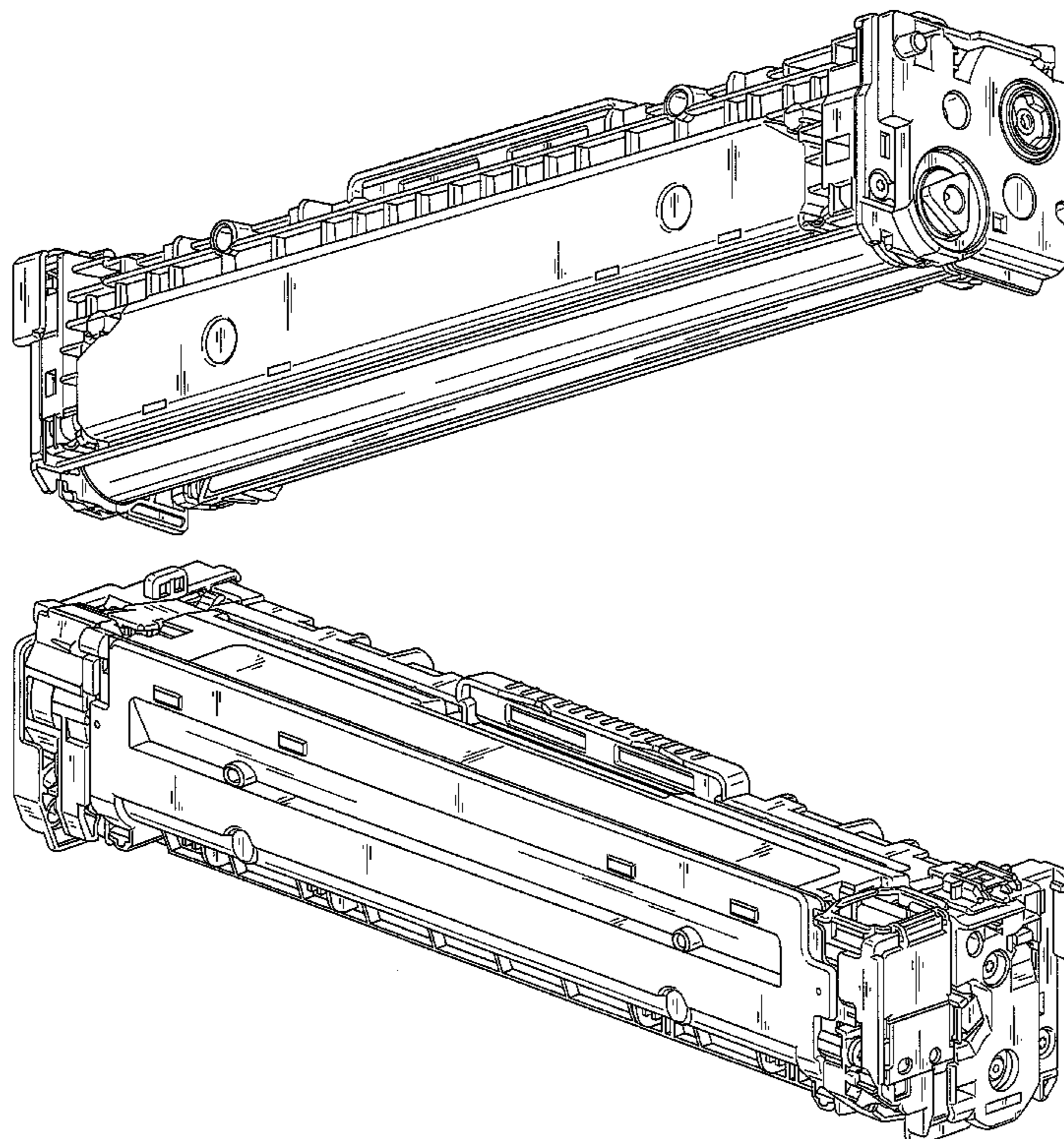
FIG. 8 is a front, bottom, right side perspective view thereof;

FIG. 9 is a front, top, left side perspective view thereof; and,

FIG. 10 is a rear, top, left side perspective view thereof.

The broken lines shown in FIGS. 1-6 are for the purpose of illustrating structure of the toner cartridge and form no part of the claimed design.

1 Claim, 7 Drawing Sheets



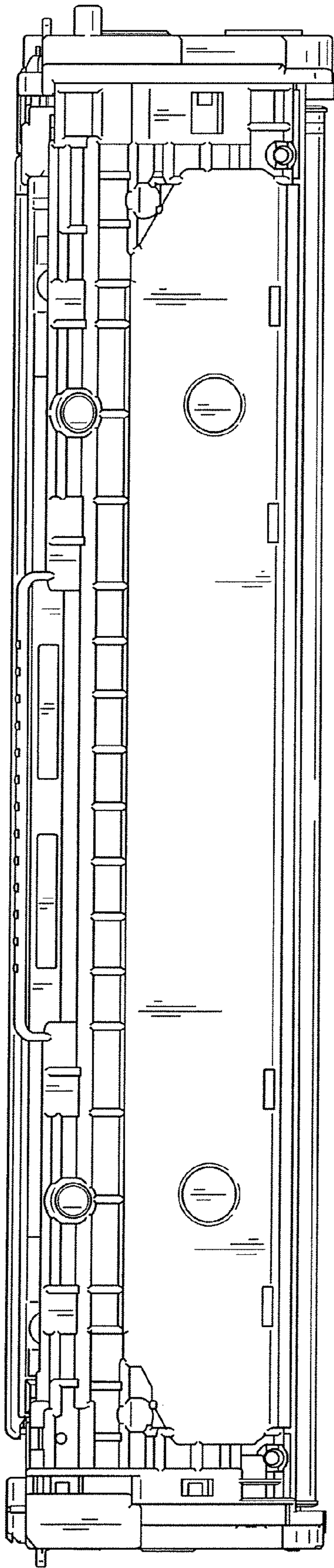


FIG. 1

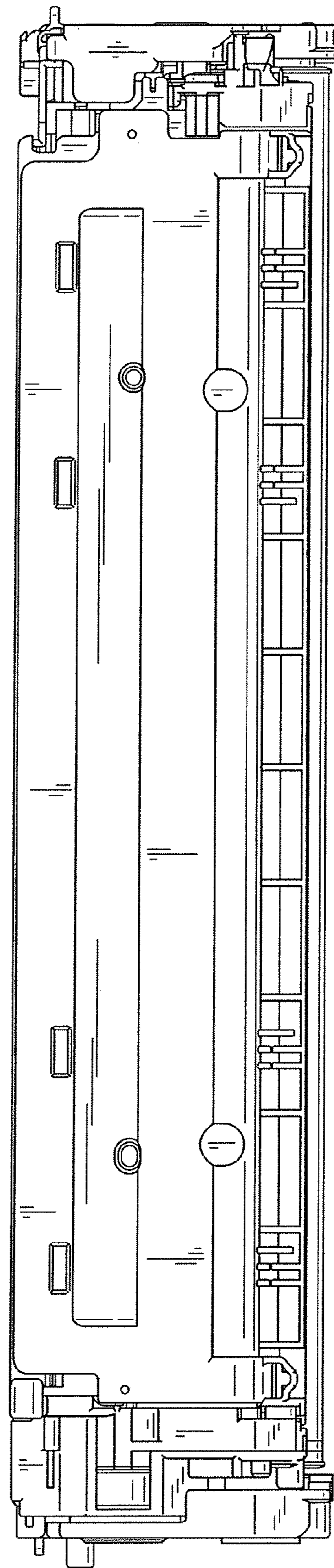


FIG. 2

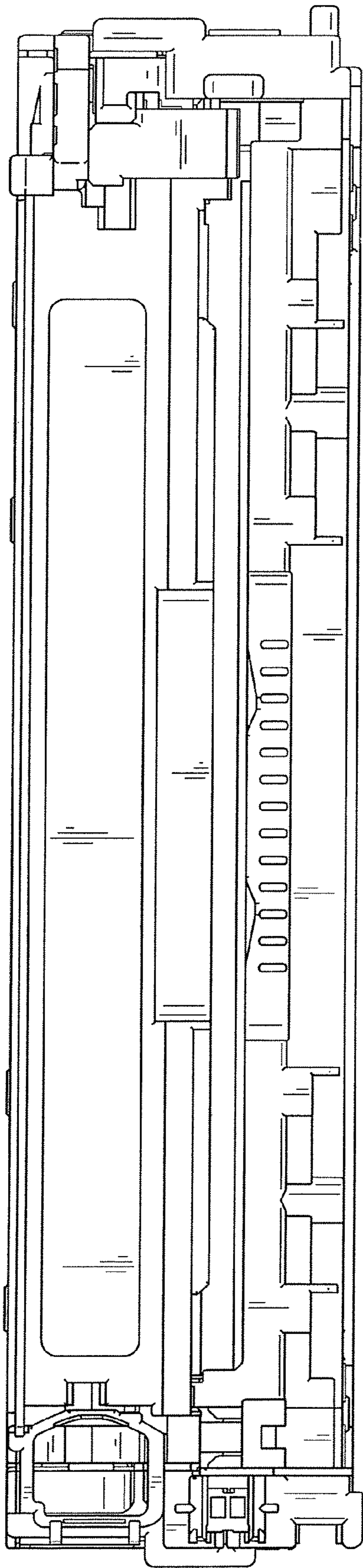


FIG. 3

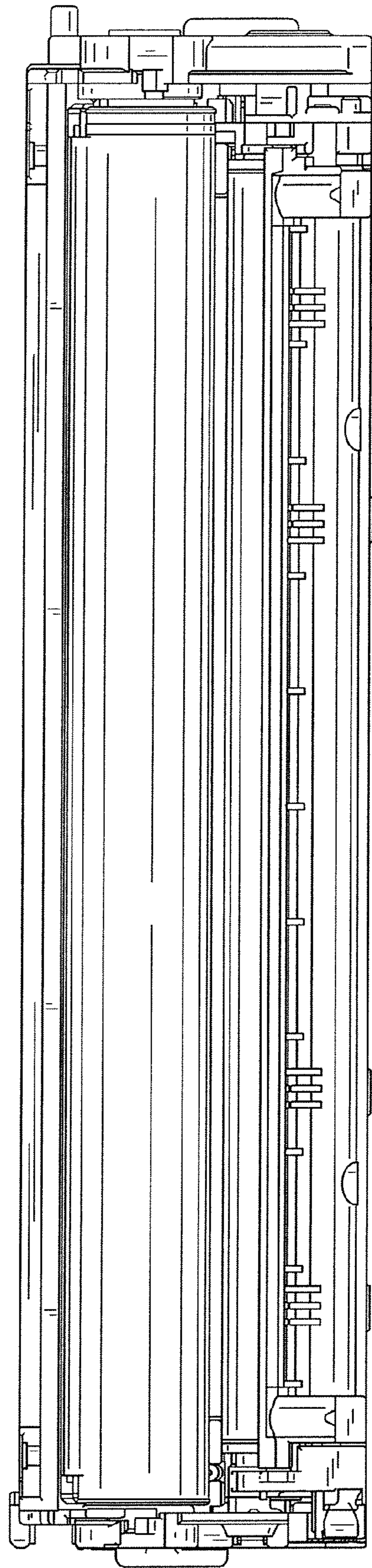


FIG. 4

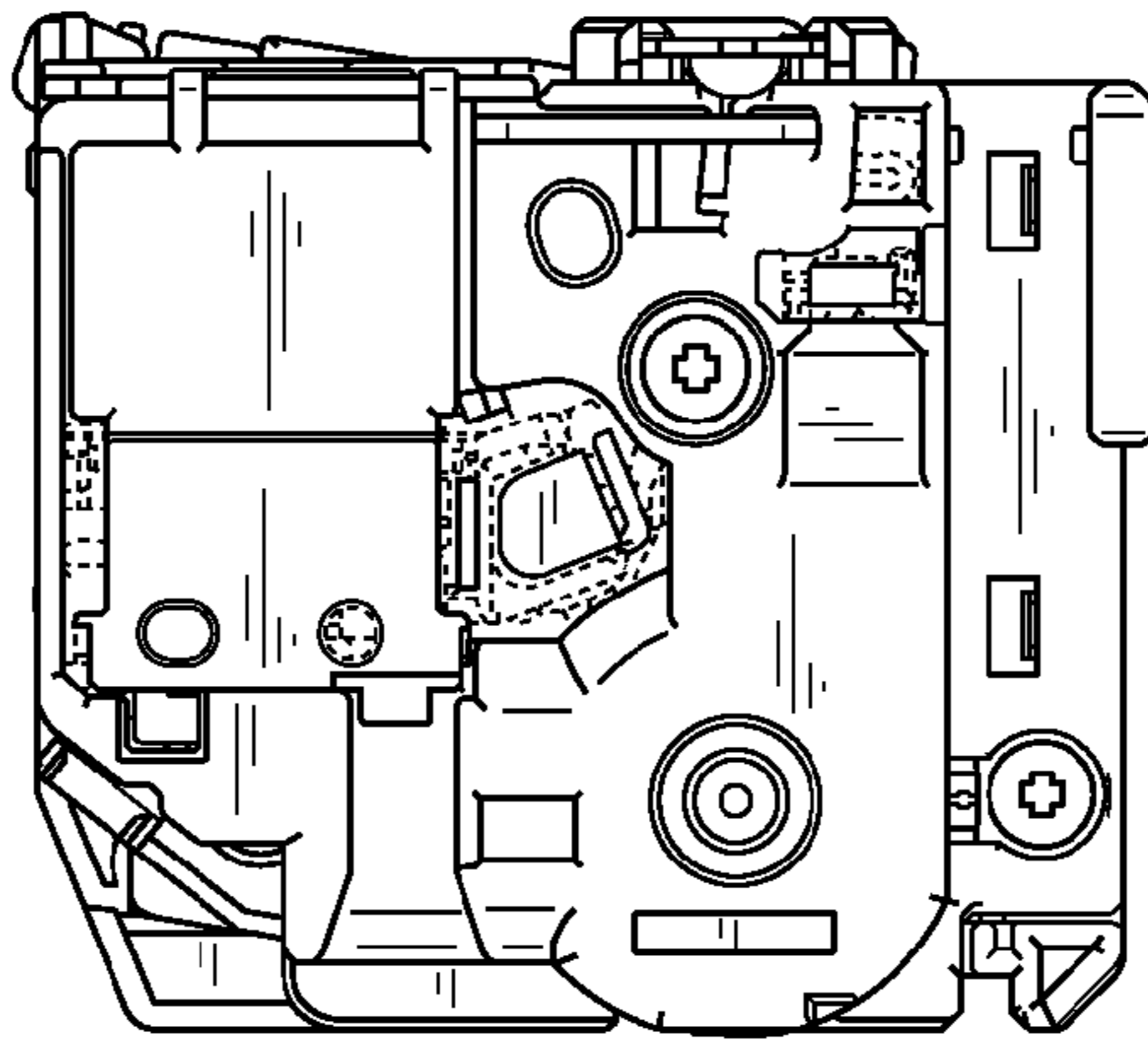


FIG. 5

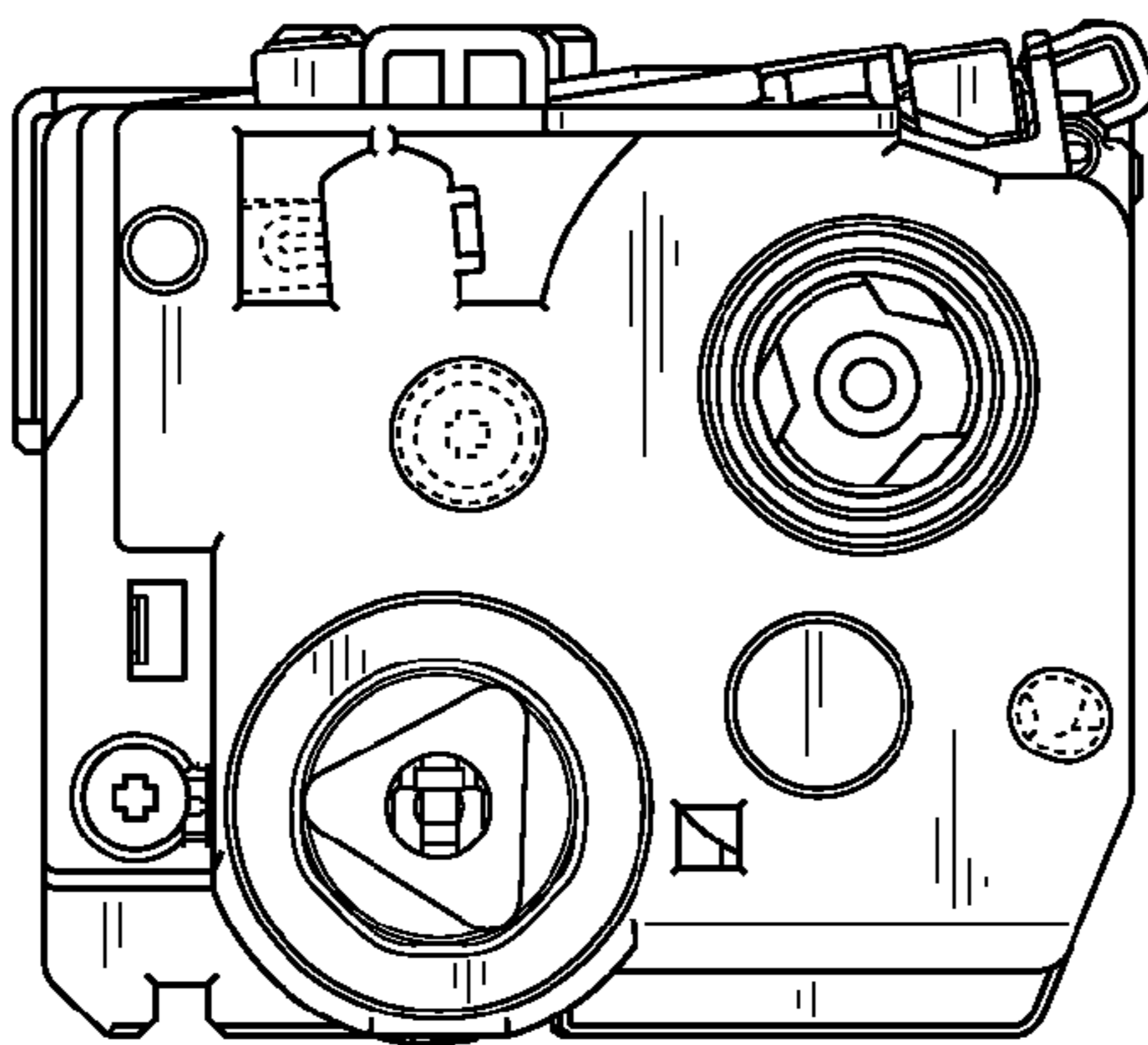


FIG. 6

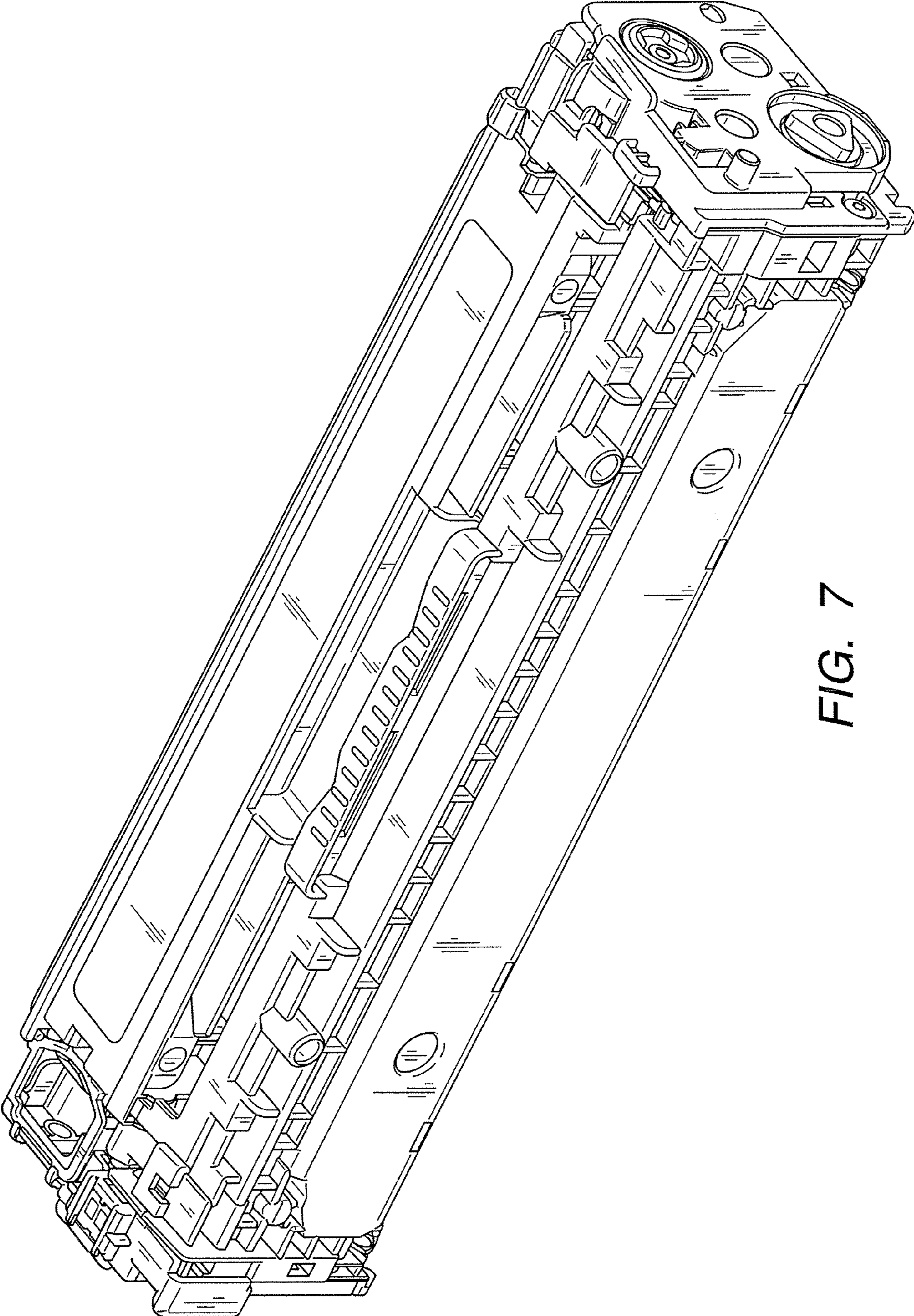


FIG. 7

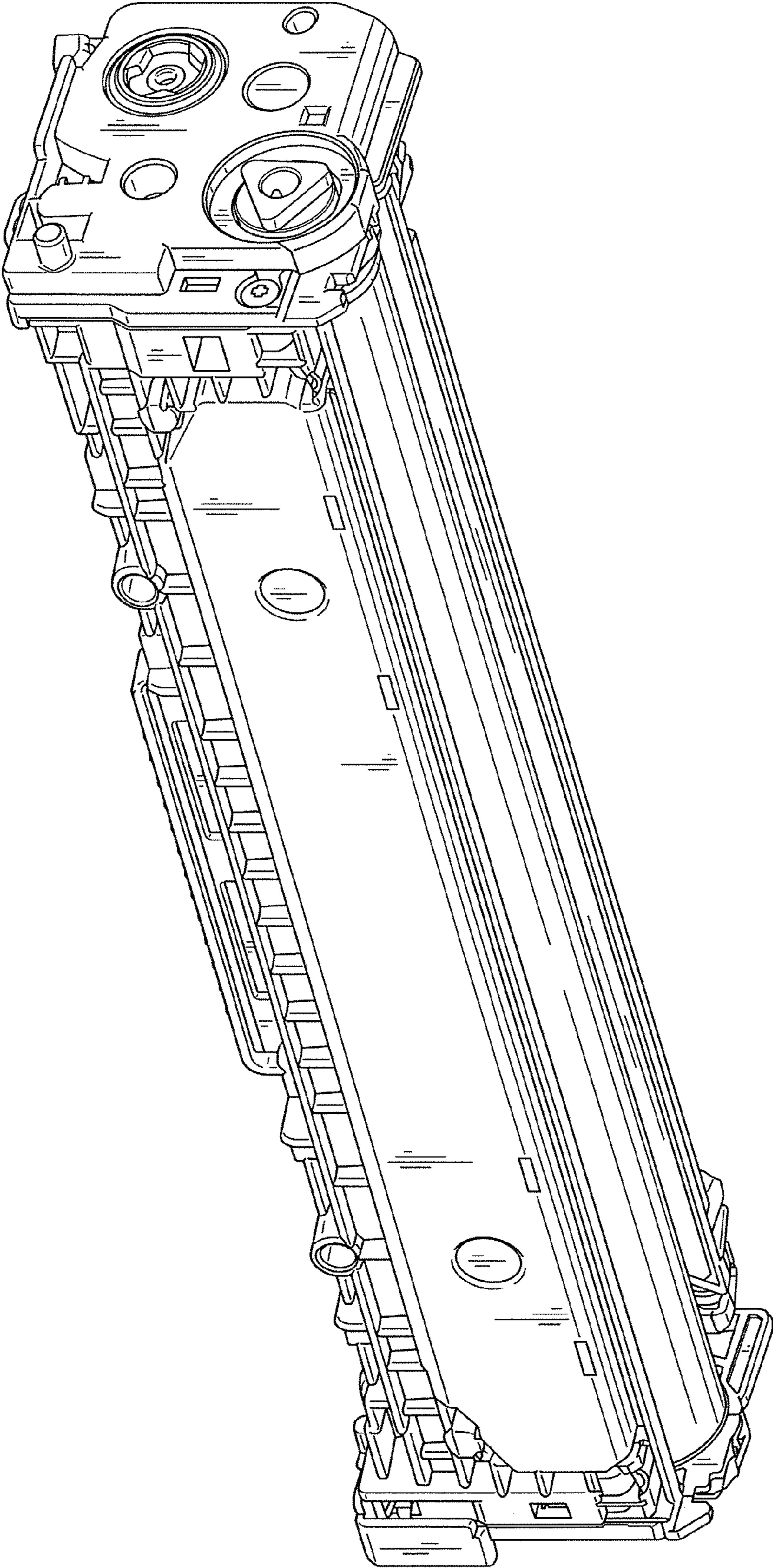


FIG. 8

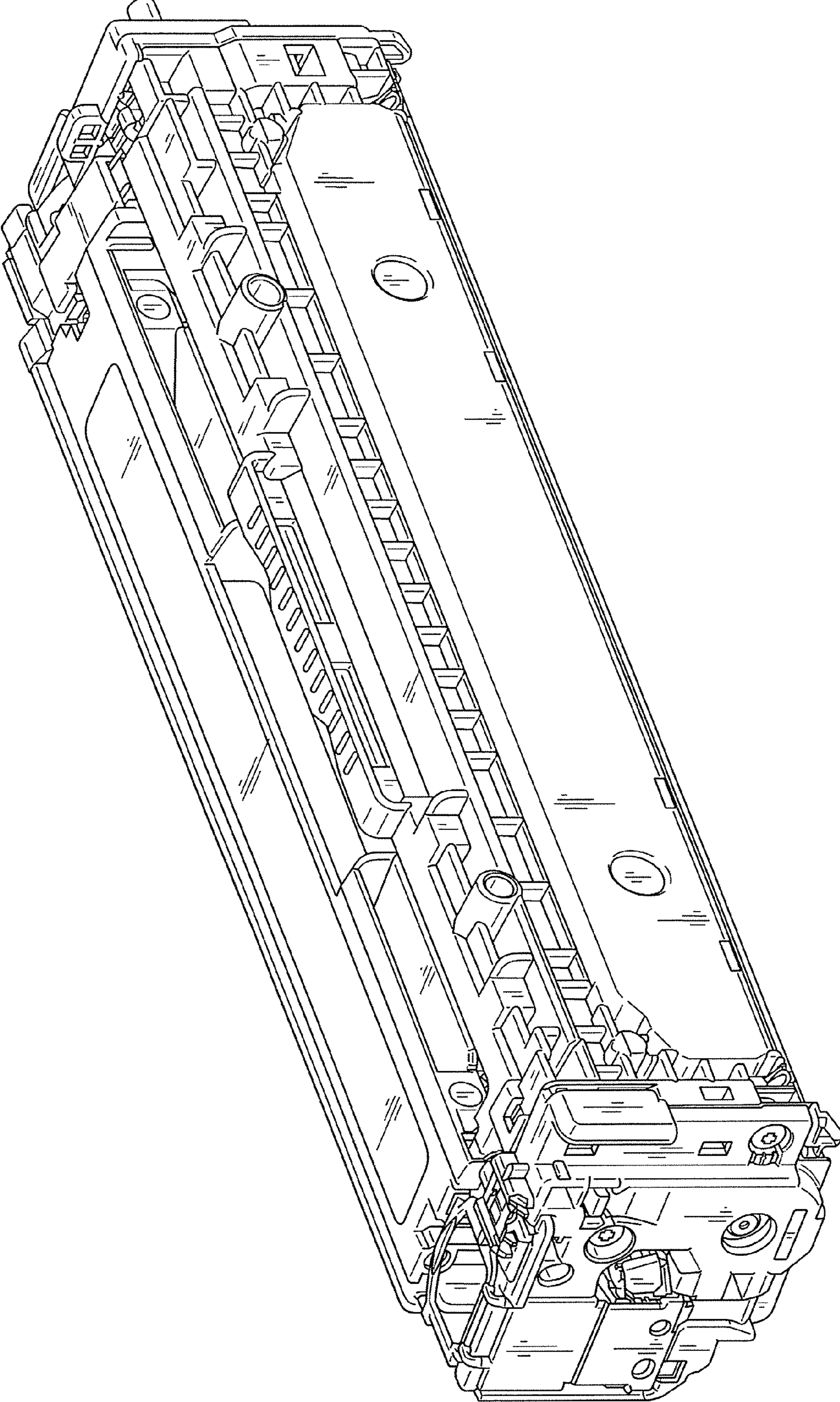


FIG. 9

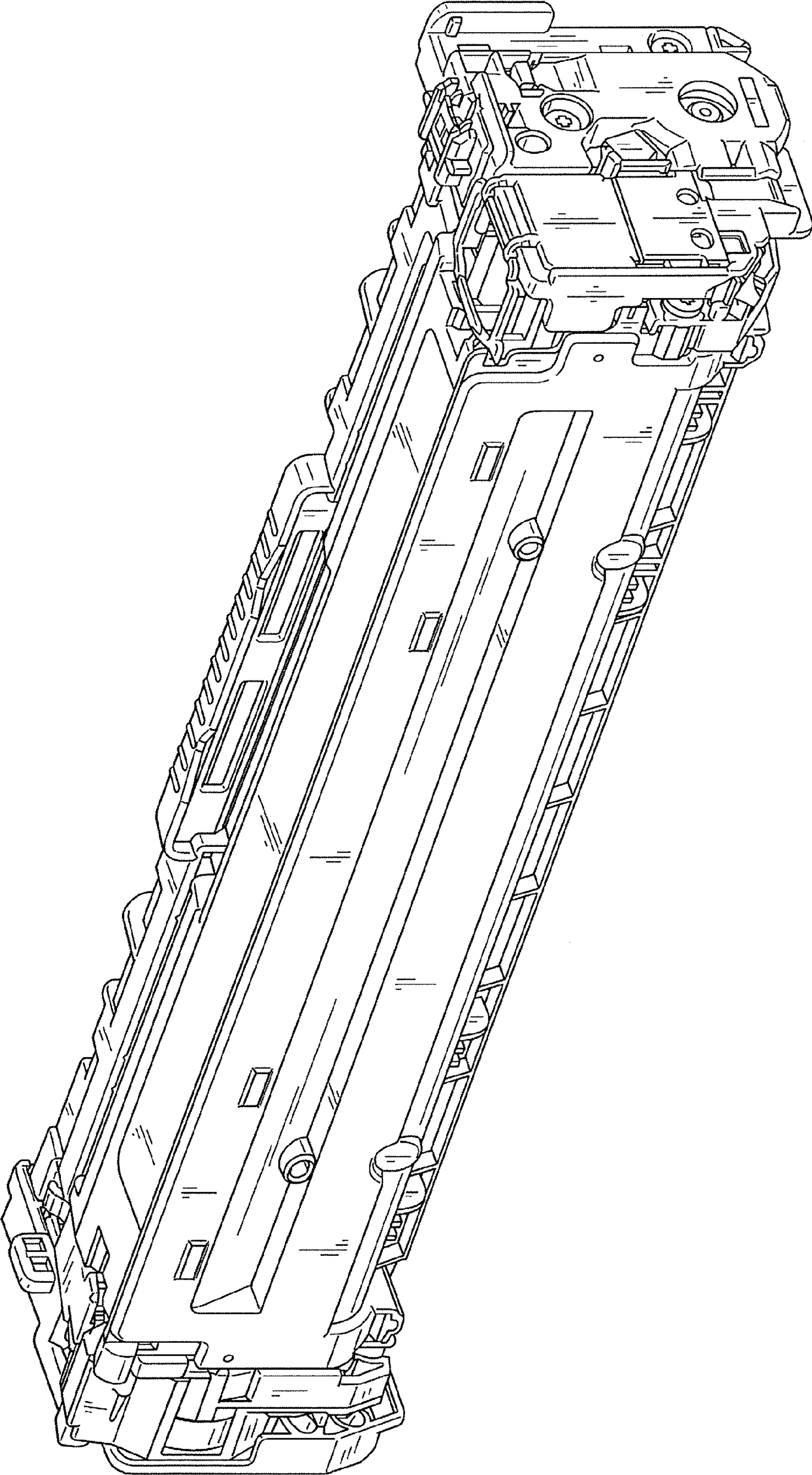


FIG. 10

UNITED STATES PATENT AND TRADEMARK OFFICE
CERTIFICATE OF CORRECTION

PATENT NO. : Des. 587,304 S
APPLICATION NO. : 29/298689
DATED : February 24, 2009
INVENTOR(S) : Kazunari Murayama et al.

Page 1 of 4

It is certified that error appears in the above-identified patent and that said Letters Patent is hereby corrected as shown below:

The Title Page, showing an illustrative figure, should be deleted and substitute therefor the attached figure.

Sheet 1

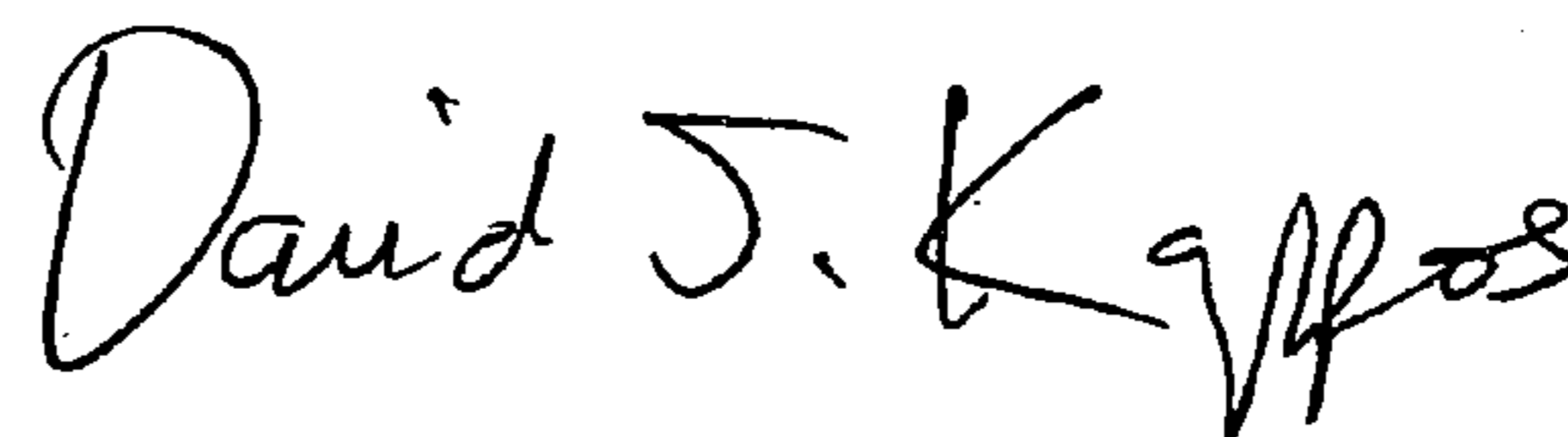
Figures 1-2, Replace Figures 1 and 2 with amended Figures 1 and 2.

Sheet 2

Figures 3-4, Replace Figures 3 and 4 with amended Figures 3 and 4.

Signed and Sealed this

Eighth Day of September, 2009



David J. Kappos
Director of the United States Patent and Trademark Office

(12) **United States Design Patent**
Murayama et al.

(10) **Patent No.:** **US D587,304 S**
 (45) **Date of Patent:** ** **Feb. 24, 2009**

(54) **TONER CARTRIDGE**

2004/0052530 A1* 3/2004 Yegota et al. 399/27

(75) **Inventors:** Kazuaki Murayama, Numazu (JP);
 Hideki Maruhira, Mishima (JP);
 Masato Tanabe, Shizuoka-ken (JP);
 Isao Kotschi, Susono (JP)

* cited by examiner

Primary Examiner—Caron Voynas
Assistant Examiner—Garth Rademaker
 (74) *Attorney, Agent, or Firm—Fitpatrick, Cella, Harper & Scinto*

(73) **Assignee:** Canon Kabushiki Kaisha, Tokyo (JP)

(**)**Term:** 14 Years

(57) **CLAIM**

(21) **Appl. No.:** 29/298,689

The ornamental design for a toner cartridge, as shown and described.

(22) **Filed:** Dec. 11, 2007

DESCRIPTION

(30) **Foreign Application Priority Data**

Sep. 10, 2007 (JP) 2007-024558

(51) **LOC (9) Cl.** 16-03

FIG. 1 is a front view of a toner cartridge showing our new design;

(52) **U.S. Cl.** D18/43

FIG. 2 is a rear view thereof;

(58) **Field of Classification Search** D14/471;

FIG. 3 is a top plan view thereof;

D18/12, 36-40, 43, 44, 46-49, 56; 222/DIG. 1;

FIG. 4 is a bottom plan view thereof;

347/197, 222; 399/24-28, 107-112, 119,

FIG. 5 is a left side view thereof;

399/121, 122, 222-224

FIG. 6 is a right side view thereof;

See application file for complete search history.

FIG. 7 is a front, top, right side perspective view thereof;

FIG. 8 is a front, bottom, right side perspective view thereof;

FIG. 9 is a front, top, left side perspective view thereof; and,

FIG. 10 is a rear, top, left side perspective view thereof.

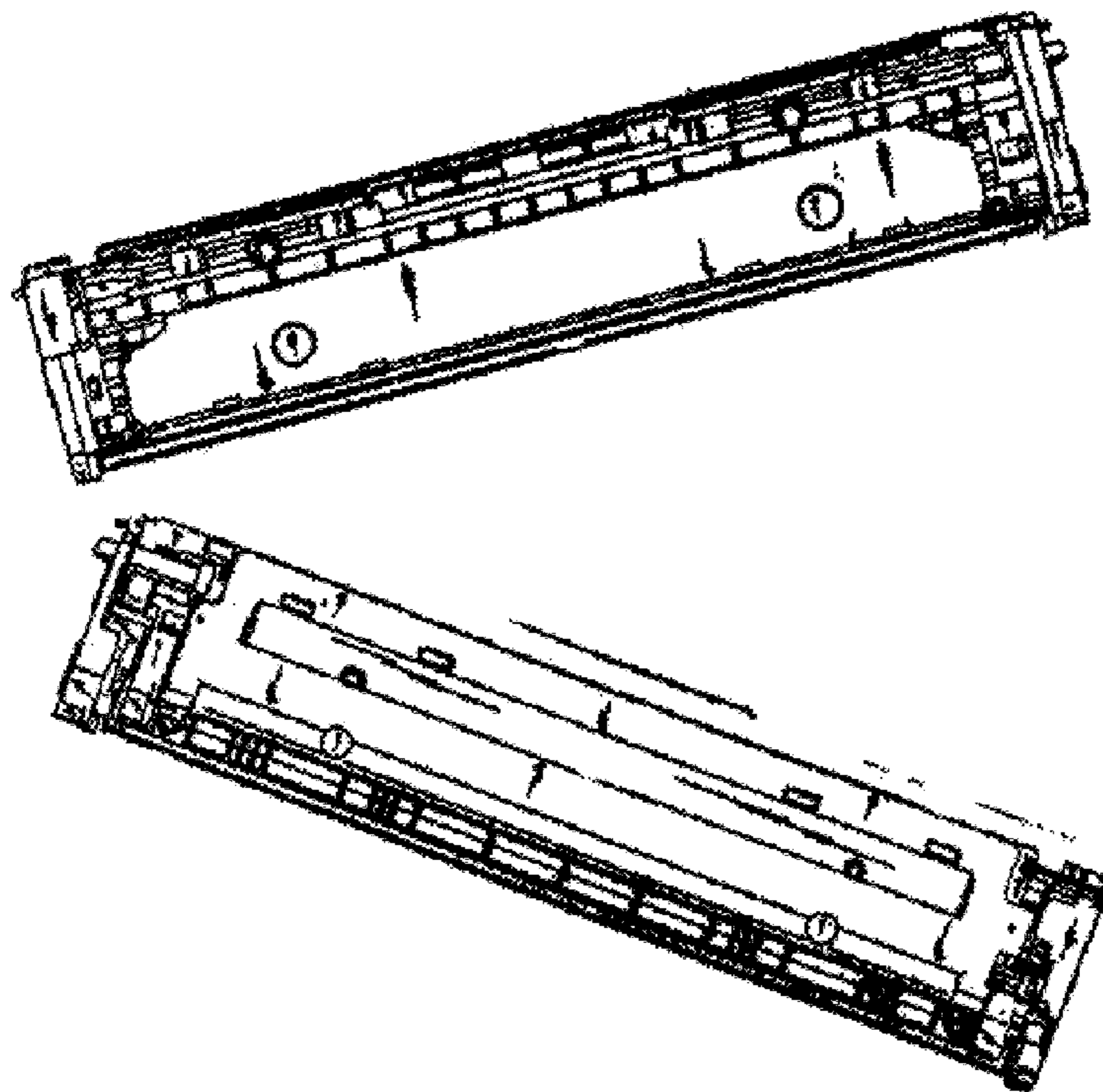
(56) **References Cited**

U.S. PATENT DOCUMENTS

6,385,416 B1* 3/2002 Horikawa et al. 399/111
 D471,614 S* 8/2003 Numagami et al. D18/40
 6,912,365 B2* 6/2005 Ueno et al. 399/25
 D522,365 S* 6/2006 Sanada et al. D18/43
 2001/0028811 A1* 10/2001 Kojima et al. 399/111

The broken lines shown in FIGS. 1-6 are for the purpose of illustrating structure of the toner cartridge and form no part of the claimed design.

1 Claim, 7 Drawing Sheets



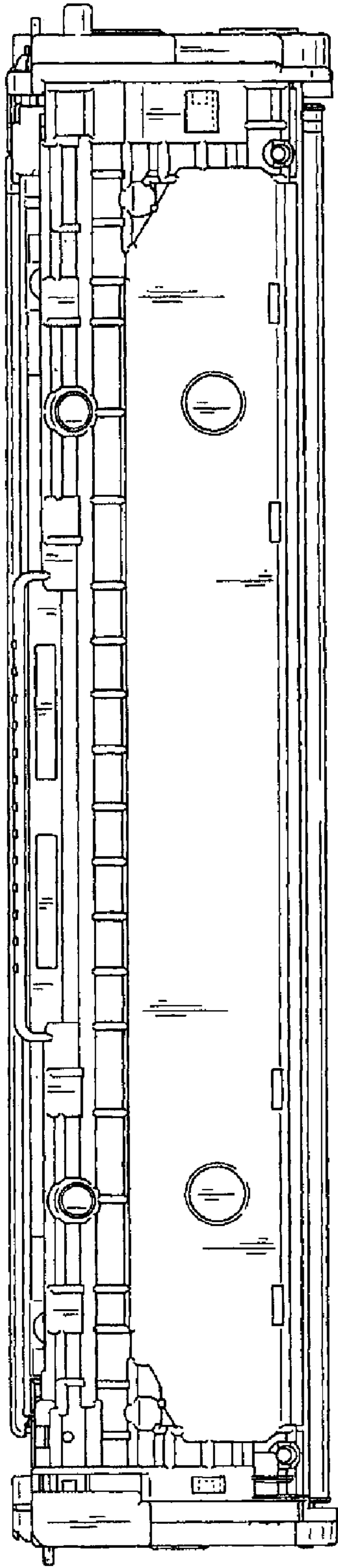


FIG. 1

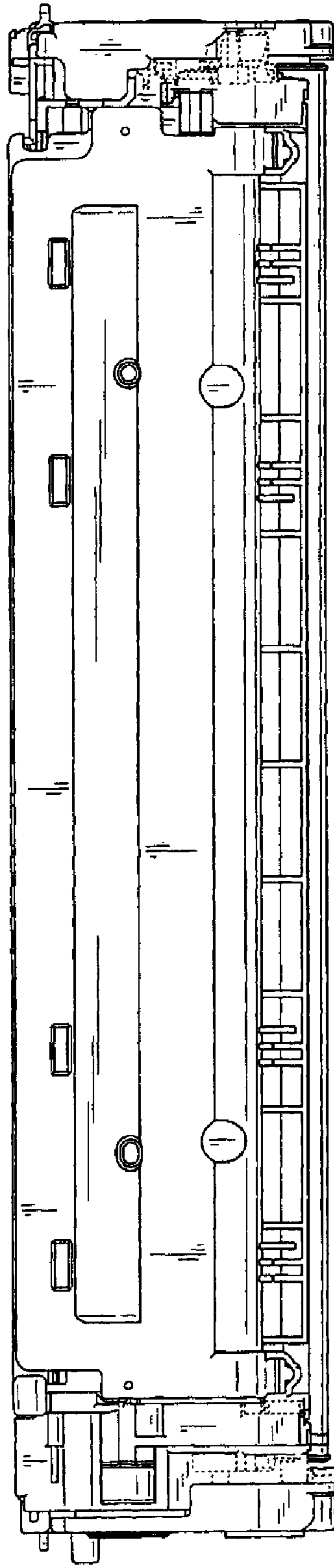


FIG. 2

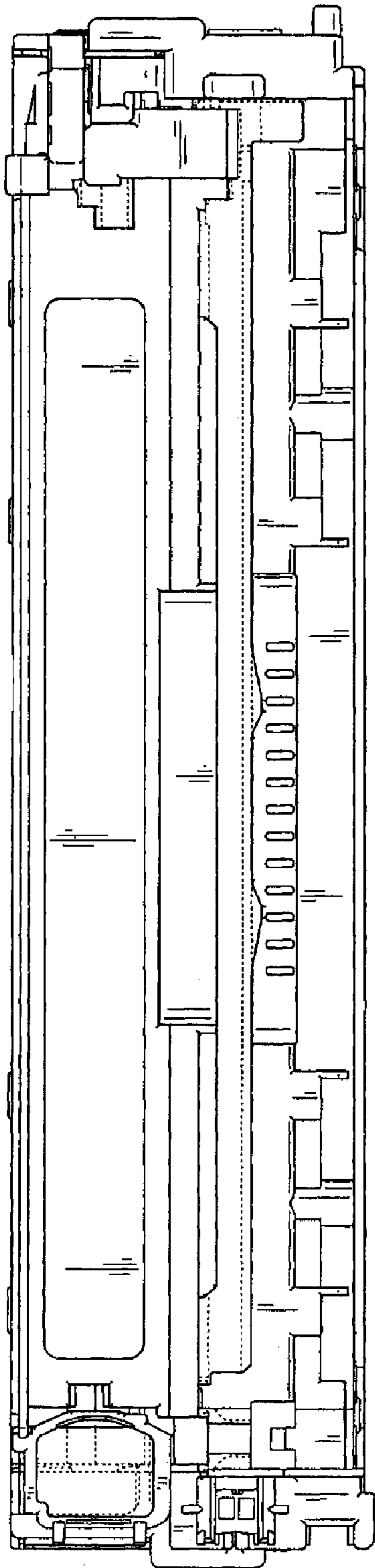


FIG. 3

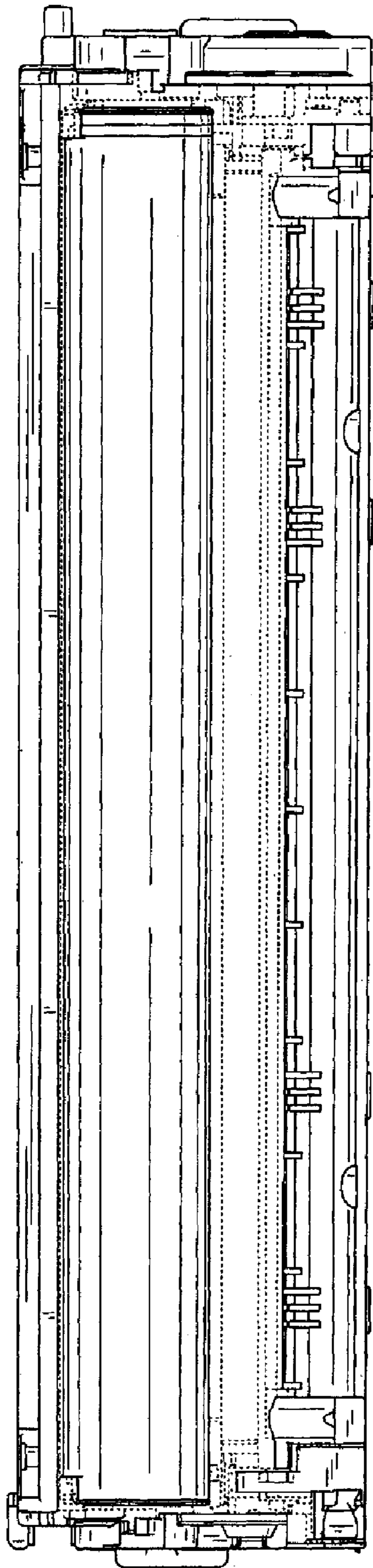


FIG. 4