



US00D587303S

(12) **United States Design Patent**
Park

(10) **Patent No.:** **US D587,303 S**

(45) **Date of Patent:** **** Feb. 24, 2009**

(54) **TONER CARTRIDGE**

(75) Inventor: **Jong-Hyun Park**, Gyonggi-do (KR)

(73) Assignee: **Samsung Electronics Co., Ltd.**, Suwon, Kyunggi-Do (KR)

(**) Term: **14 Years**

(21) Appl. No.: **29/270,051**

(22) Filed: **Dec. 13, 2006**

(51) **LOC (9) Cl.** **16-03**

(52) **U.S. Cl.** **D18/43**

(58) **Field of Classification Search** D14/471;
D18/12, 36, 40, 43, 44, 56; 222/DIG. 1;
347/197, 222; 399/24–28, 107–112, 119,
399/121, 122, 222–224

See application file for complete search history.

(56) **References Cited**

U.S. PATENT DOCUMENTS

| | | | | | |
|--------------|------|---------|------------------|-------|---------|
| 4,963,928 | A * | 10/1990 | Yoshiura | | 399/111 |
| D335,301 | S * | 5/1993 | Kwak | | D18/43 |
| D359,068 | S * | 6/1995 | Nishimura et al. | | D18/43 |
| D375,519 | S * | 11/1996 | Tsumuki | | D18/43 |
| D378,829 | S * | 4/1997 | Aoyama et al. | | D18/40 |
| D378,830 | S | 4/1997 | Kim | | |
| D438,891 | S * | 3/2001 | Hoshino et al. | | D18/40 |
| 6,272,299 | B1 * | 8/2001 | Numagami et al. | | 399/111 |
| D451,127 | S * | 11/2001 | Katou et al. | | D18/43 |
| D462,712 | S * | 9/2002 | Katou et al. | | D18/43 |
| D529,541 | S * | 10/2006 | Kawai | | D18/43 |
| D546,382 | S * | 7/2007 | Noh et al. | | D18/43 |
| D547,368 | S * | 7/2007 | Han | | D18/43 |
| D551,286 | S * | 9/2007 | Han | | D18/43 |
| D555,193 | S * | 11/2007 | Choi | | D18/43 |
| 7,327,971 | B2 * | 2/2008 | Oda | | 399/119 |
| 2003/0068171 | A1 * | 4/2003 | Katoh et al. | | 399/110 |

2006/0093399 A1 * 5/2006 Okabe et al. 399/111

OTHER PUBLICATIONS

U.S. Appl. No. 29/261,032, Applicant: Min-Su Han, filed Jun. 6, 2006 entitled Development Device for Laser Printer.

U.S. Appl. No. 29/261,033, Applicant: Min-Su Han filed Jun. 6, 2006 entitled Development Device for Laser Printer.

U.S. Appl. No. 29/261,034, Applicant: Jai-Il Choi filed Jun. 6, 2006 entitled Development Device for Laser Printer.

U.S. Appl. No. 29/231,239, Applicant: Joo-Hwan Noh, et al., filed Jun. 2, 2005 entitled Toner Cartridge for Printer.

U.S. Appl. No. 29/270,054, Applicant: Se-Il Kwon, filed Dec. 13, 2006 entitled Cartridge for Laser Compound Device.

* cited by examiner

Primary Examiner—Joel Sincavage

Assistant Examiner—Garth Rademaker

(74) *Attorney, Agent, or Firm*—Flynn, Thiel, Boutell & Tanis, P.C.

(57) **CLAIM**

The ornamental design for a toner cartridge, as shown and described.

DESCRIPTION

FIG. 1 is a top front perspective view of a toner cartridge showing my new design;

FIG. 2 is a front elevational view thereof;

FIG. 3 is a rear elevational view thereof;

FIG. 4 is a left side elevational view thereof;

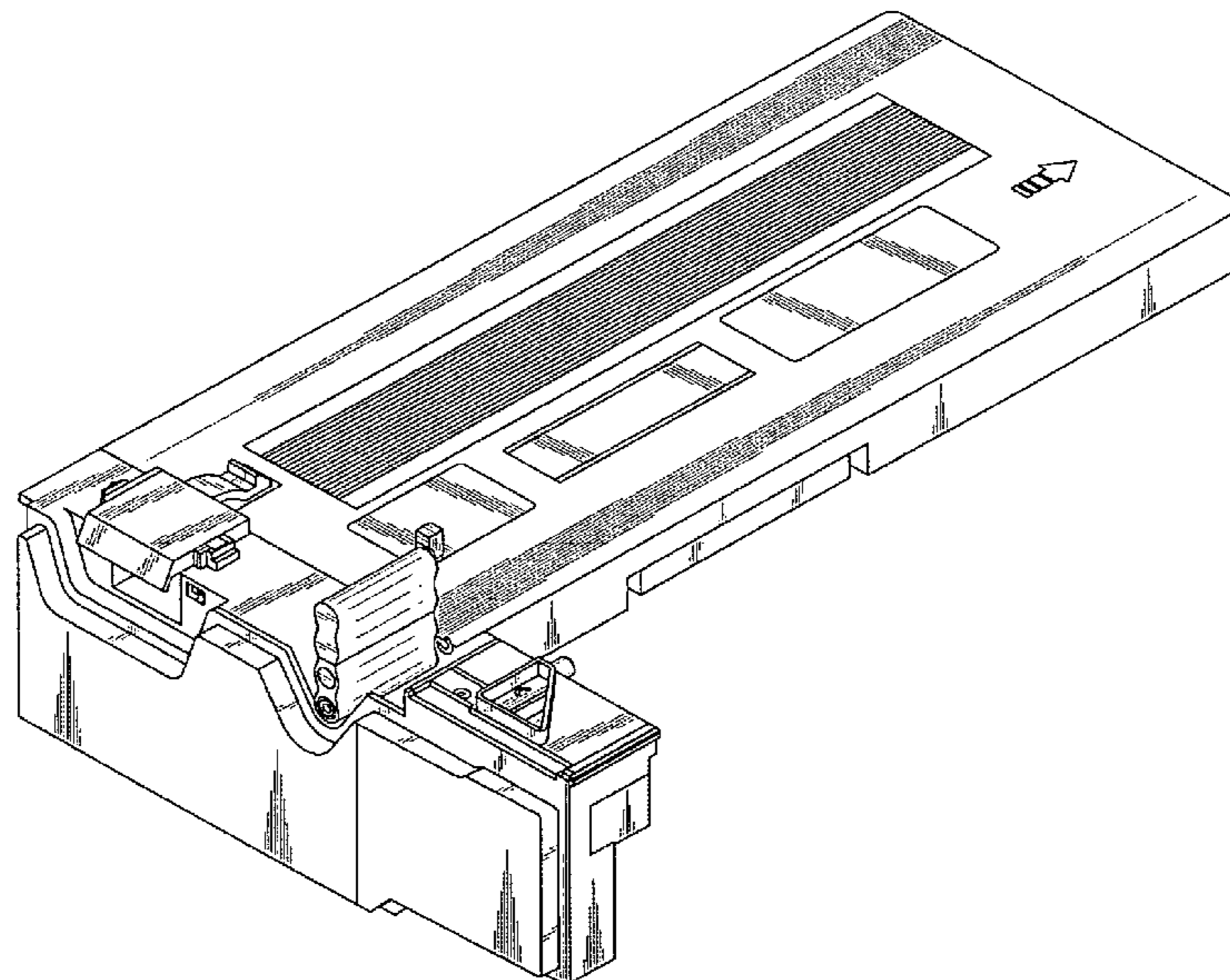
FIG. 5 is a right side elevational view thereof;

FIG. 6 is a top plan view thereof; and,

FIG. 7 is a bottom plan view thereof.

The broken lines depict environmental subject matter only and form no part of the claimed design.

1 Claim, 5 Drawing Sheets



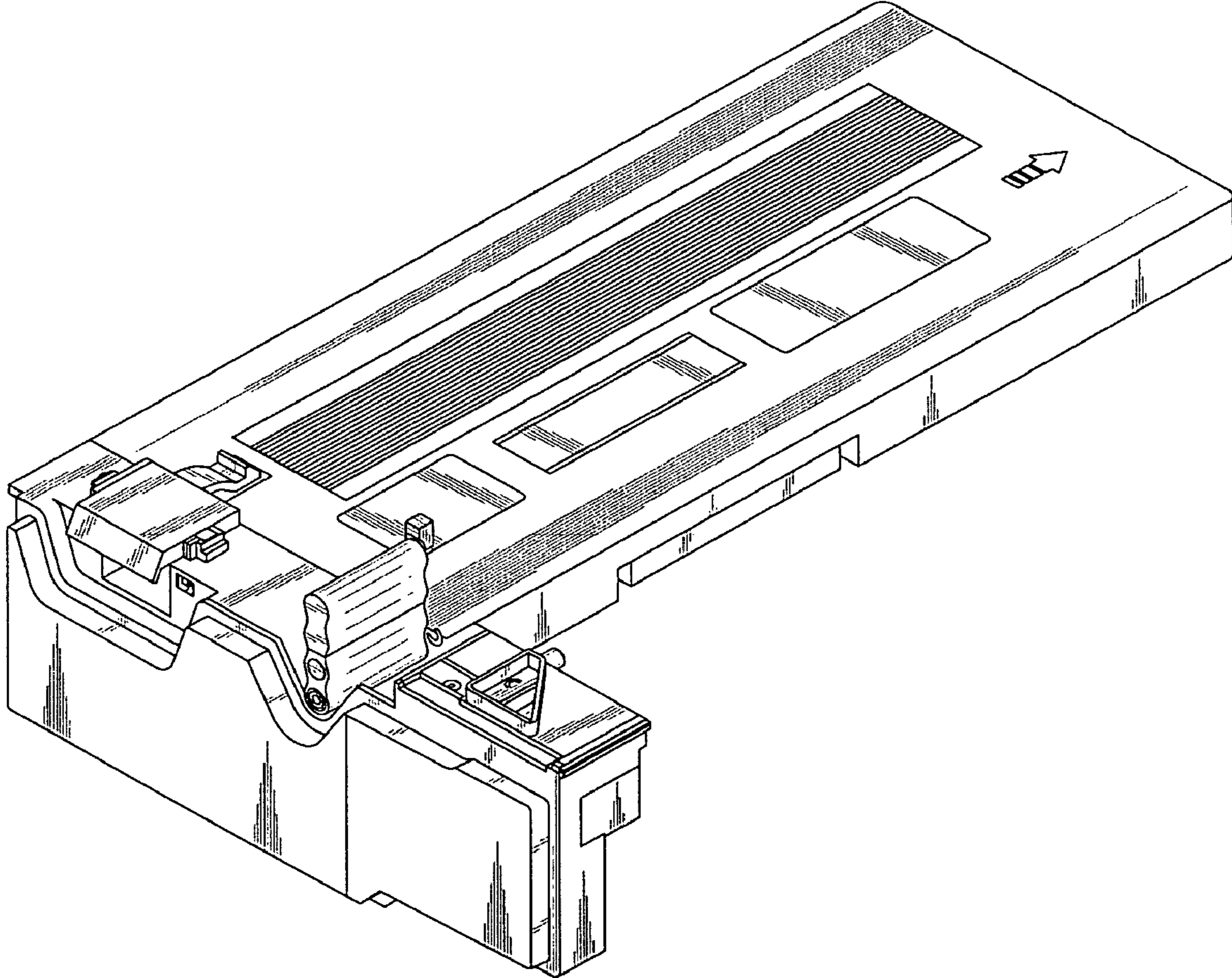


FIG. 1

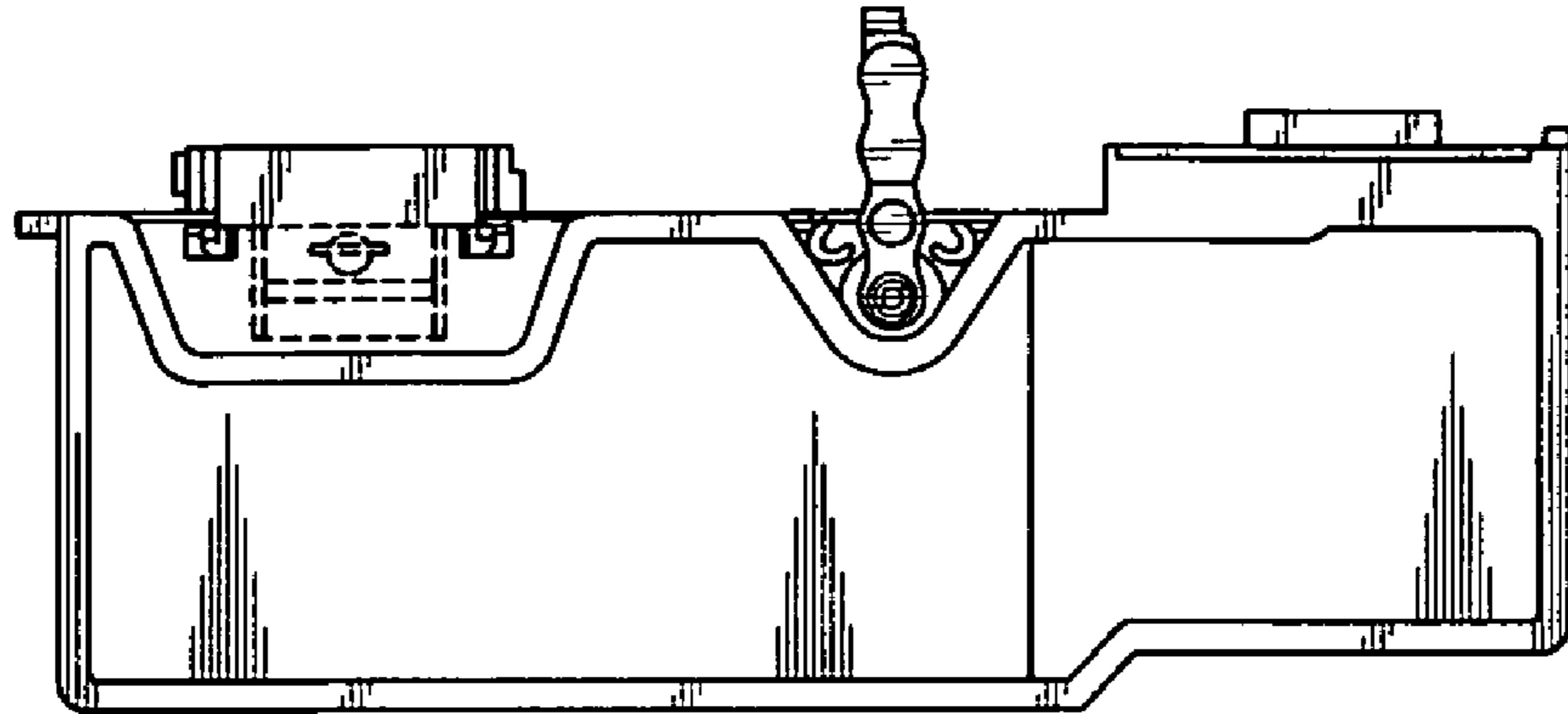


FIG. 2

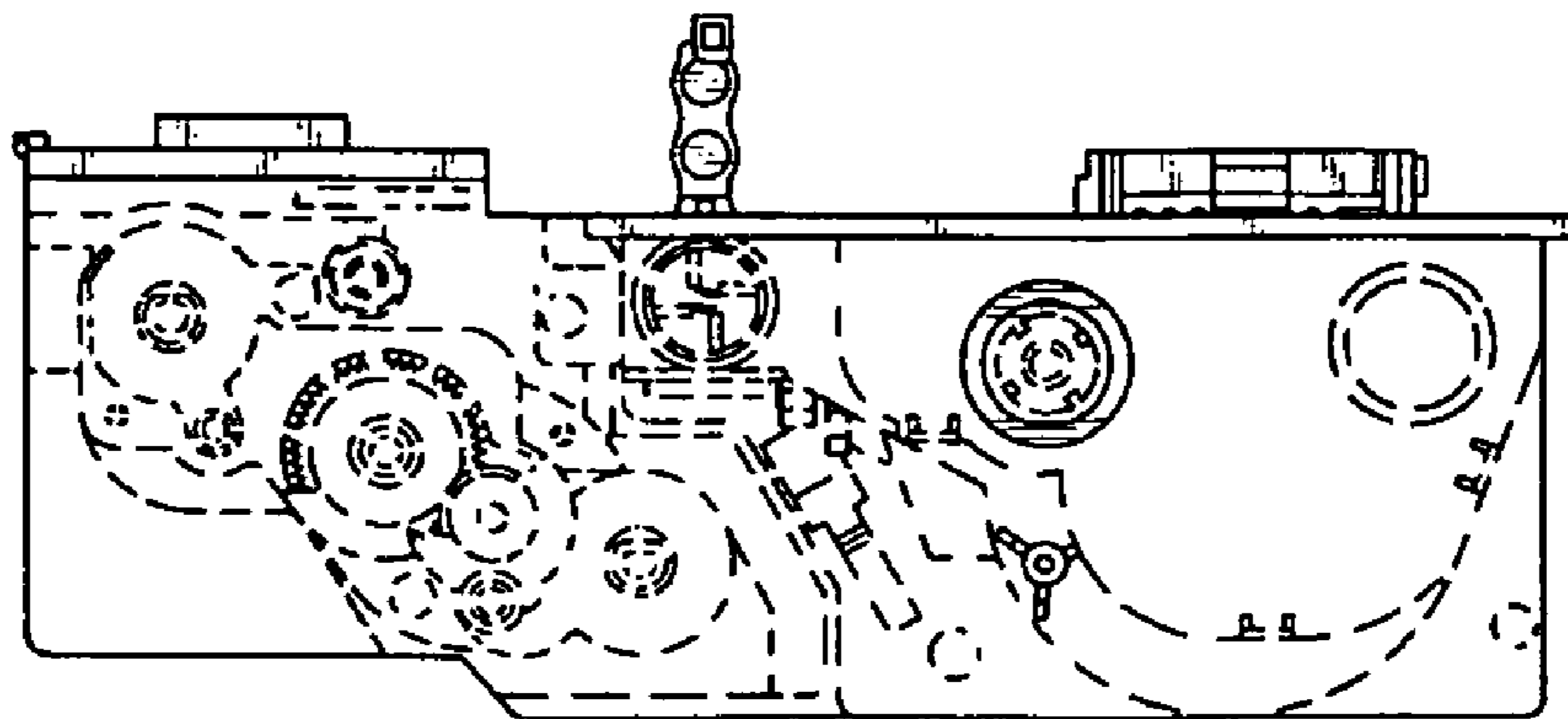


FIG. 3

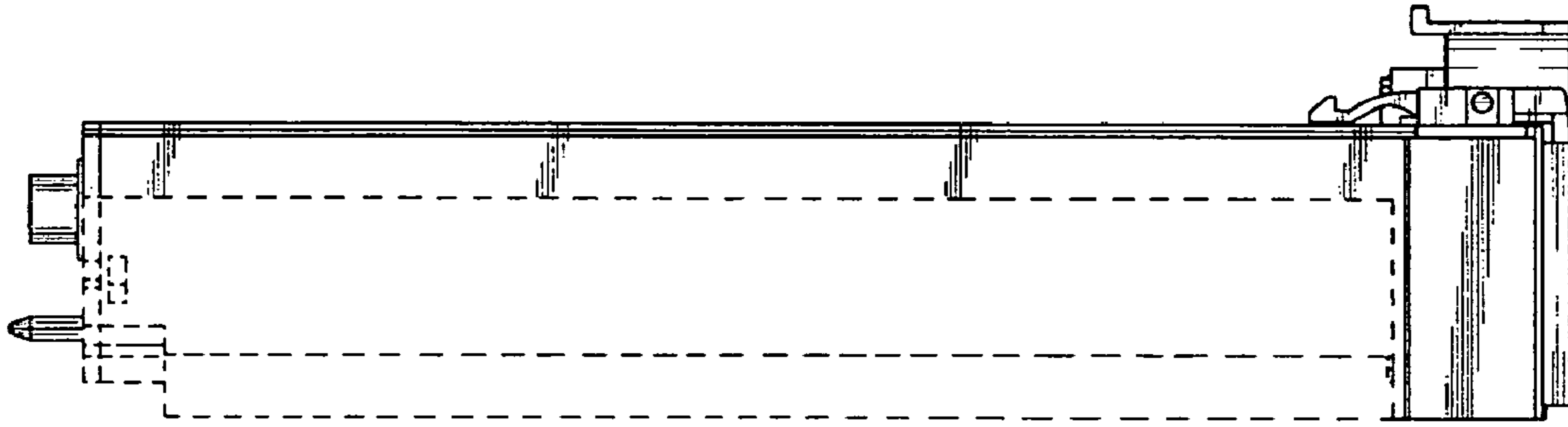


FIG. 4

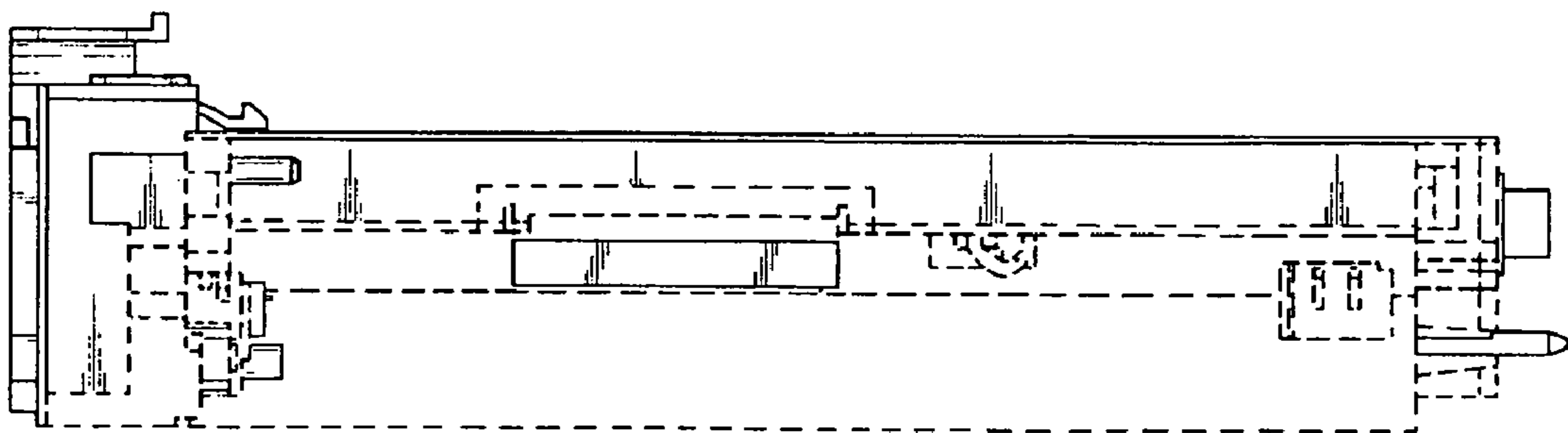


FIG. 5

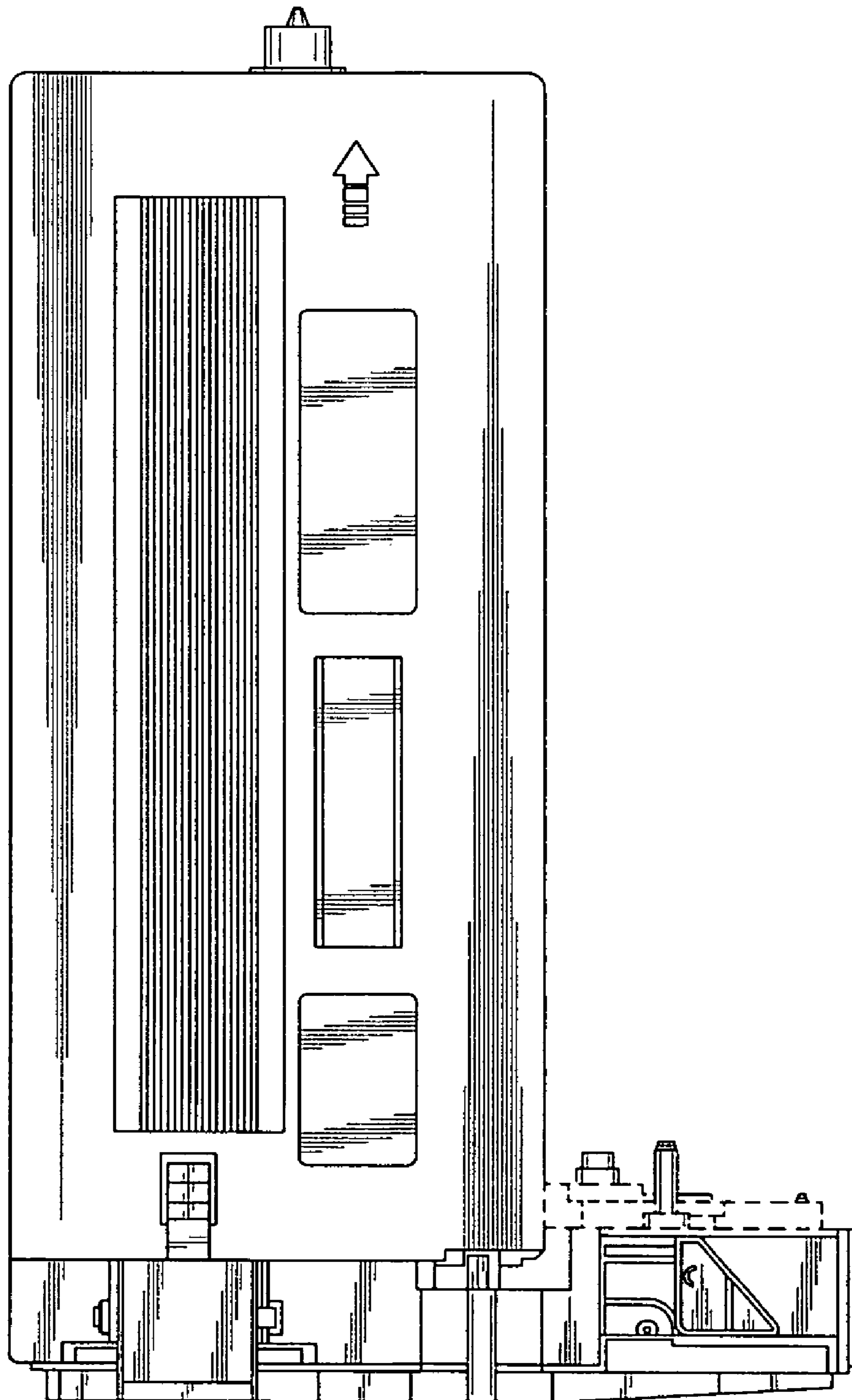


FIG. 6

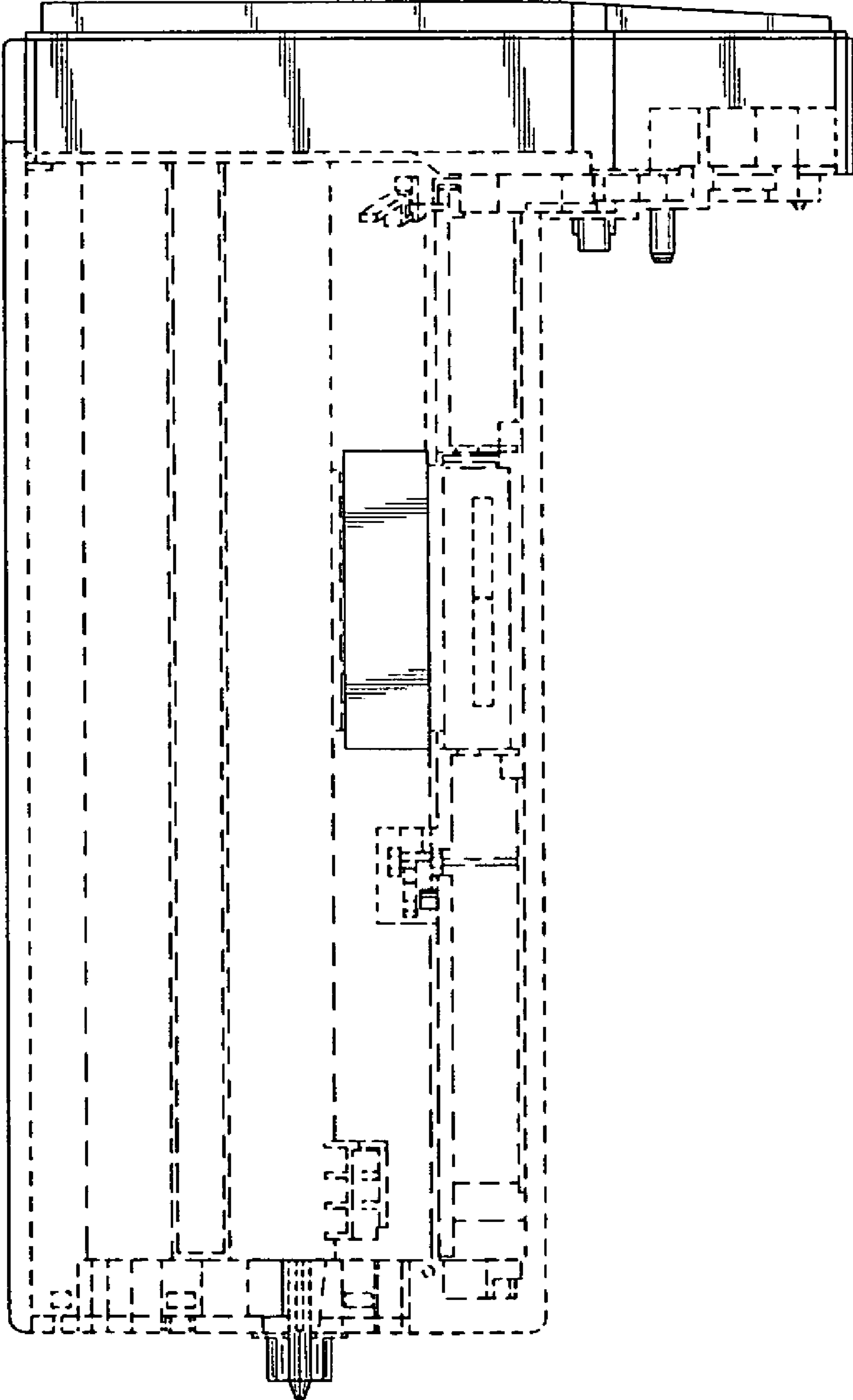


FIG. 7