

US00D587300S

(12) **United States Design Patent**
Hübler

(10) **Patent No.:** **US D587,300 S**
(45) **Date of Patent:** **** Feb. 24, 2009**

(54) **FRANKING SYSTEM**

(75) Inventor: **Uwe Hübler**, Neuenhagen (DE)

(73) Assignee: **Francotyp - Postalia GmbH**,
Birkenwerder (DE)

(**) Term: **14 Years**

(21) Appl. No.: **29/267,622**

(22) Filed: **Oct. 18, 2006**

(30) **Foreign Application Priority Data**

May 31, 2006 (EM) 000543202-0008

(51) **LOC (9) Cl.** **19-99**

(52) **U.S. Cl.** **D18/35.1**

(58) **Field of Classification Search** D18/50,
D18/51, 56, 99, 35.1; D15/199; 101/5, 47,
101/53, 49; 235/375; 346/9-11, 76.1; 705/407,
705/406; 299/800

See application file for complete search history.

(56) **References Cited**

U.S. PATENT DOCUMENTS

D257,153	S	*	9/1980	Woods et al.	D18/51
D300,747	S	*	4/1989	Bain	D18/35.1
D301,150	S	*	5/1989	Bain	D18/35.1
D309,617	S	*	7/1990	Bain	D15/199
4,956,782	A	*	9/1990	Freeman et al.	705/406
D330,386	S	*	10/1992	Doerberl et al.	D18/35.1
D354,766	S	*	1/1995	Meister, Jr.	D18/99
5,493,106	A	*	2/1996	Hunter	235/375

D367,883	S	*	3/1996	Banks et al.	D18/56
D368,727	S	*	4/1996	Stevens	D15/145
D398,335	S	*	9/1998	Friedrich et al.	D18/51
6,280,104	B1	*	8/2001	Muller et al.	400/48
6,322,663	B1	*	11/2001	Muller et al.	156/441.5
6,364,306	B1	*	4/2002	Kunde et al.	271/2
D505,449	S	*	5/2005	Huebler	D18/51
6,978,255	B1	*	12/2005	Pauschinger et al.	705/61
D519,547	S	*	4/2006	Kumar et al.	D18/35.1
2002/0169728	A1	*	11/2002	Moy et al.	705/401

* cited by examiner

Primary Examiner—Charles A Rademaker

Assistant Examiner—Charles D Hanson

(74) *Attorney, Agent, or Firm*—Laurence A. Greenberg;
Werner H. Stemer; Ralph E. Locher

(57) **CLAIM**

The ornamental design for a franking system, as shown and described.

DESCRIPTION

FIG. 1 is a perspective view of a franking system showing my new design;

FIG. 2 is a top view thereof;

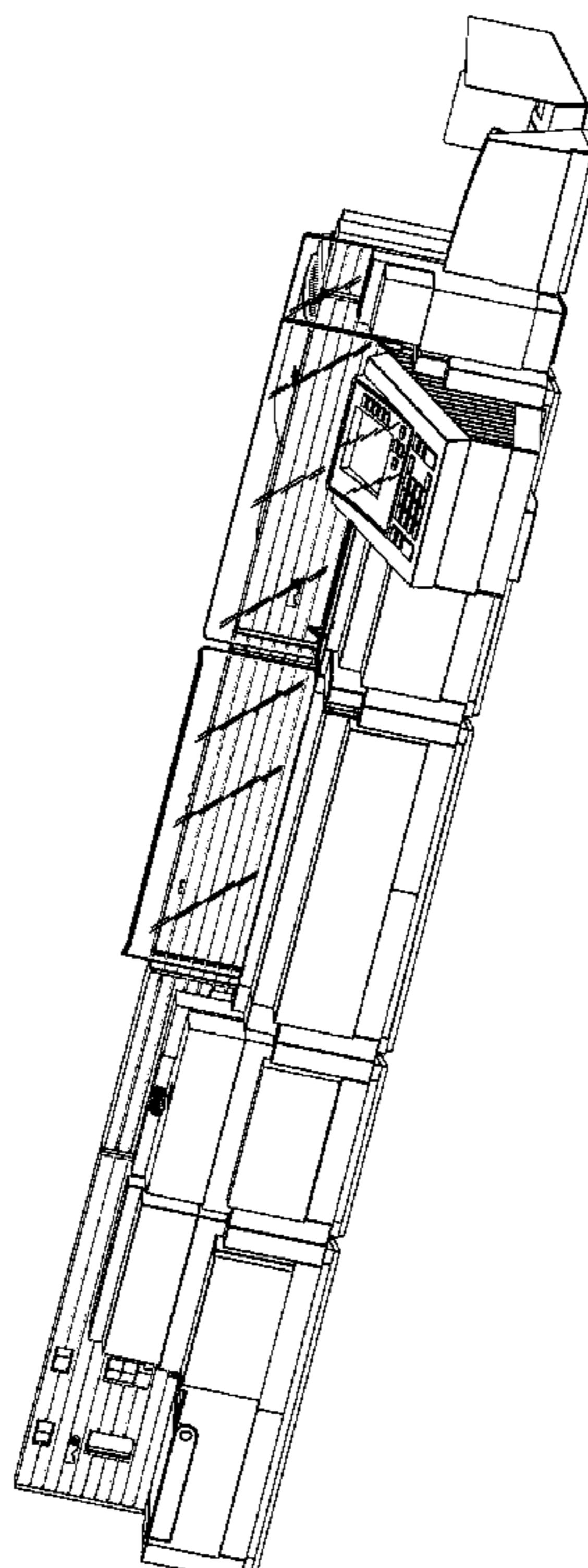
FIG. 3 is a right side view thereof;

FIG. 4 is a left side view thereof; and,

FIG. 5 is a front elevation view thereof.

The broken line showing is included for the purpose of illustrating environment and forms no part of the claimed design.

1 Claim, 4 Drawing Sheets



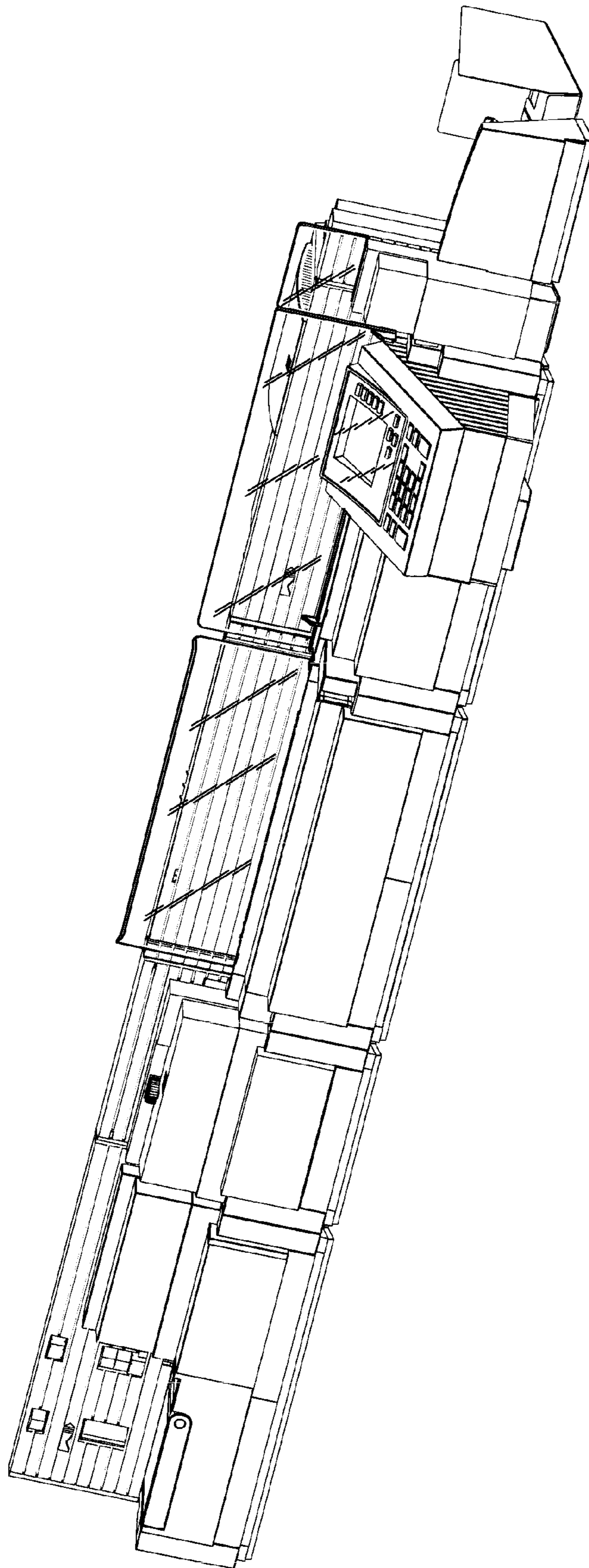


FIG. 1

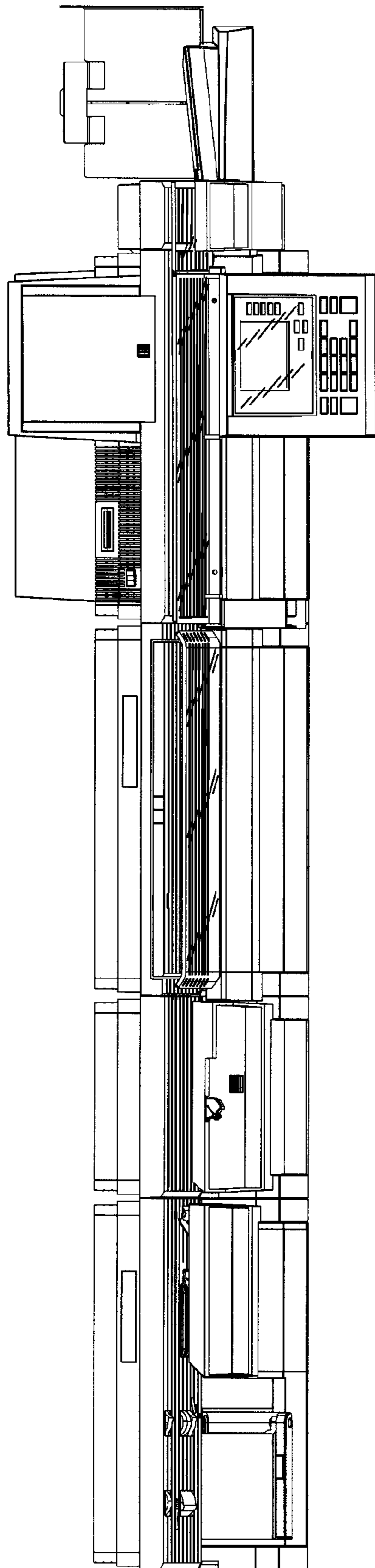


FIG. 2

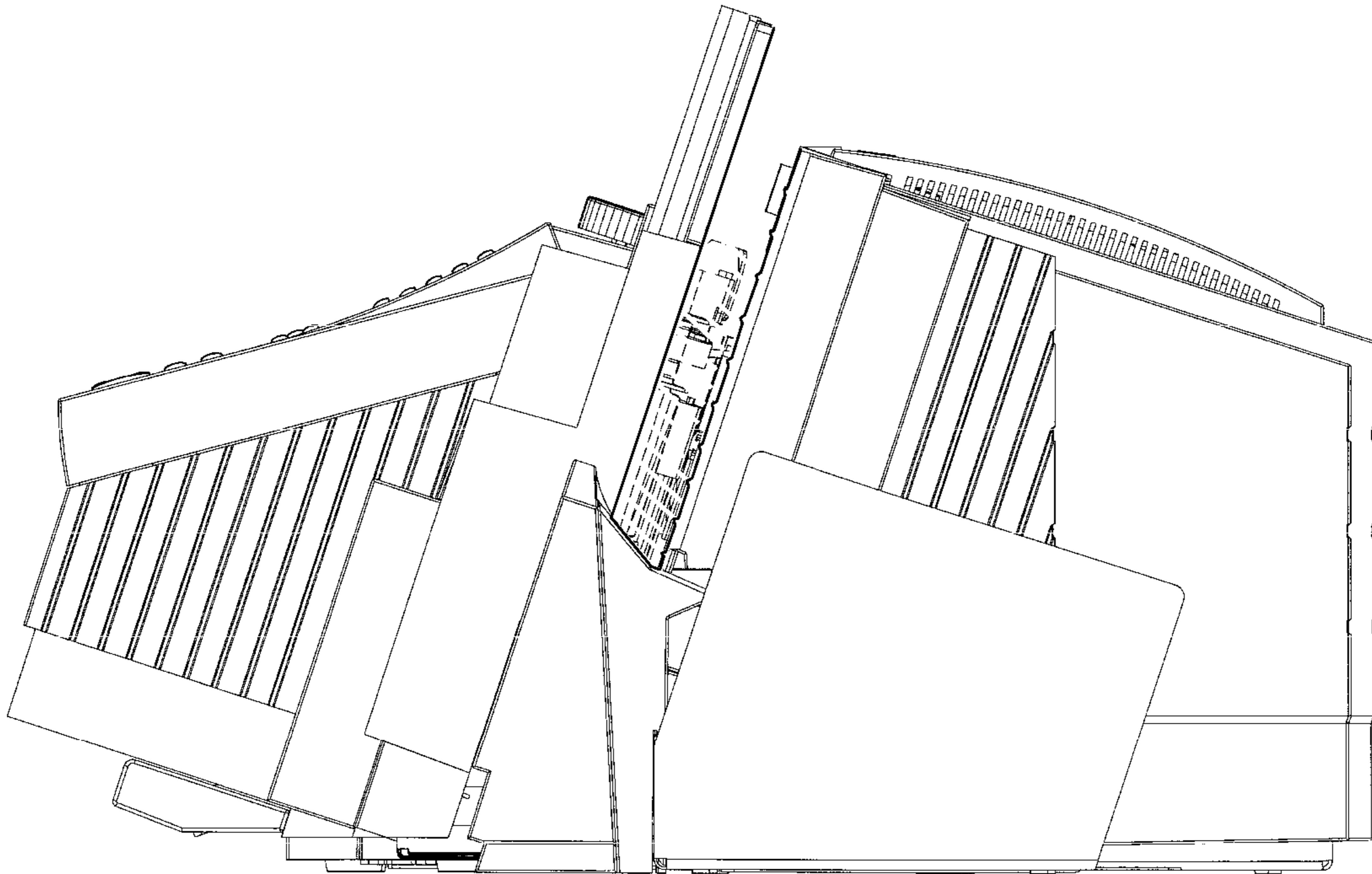


FIG. 3

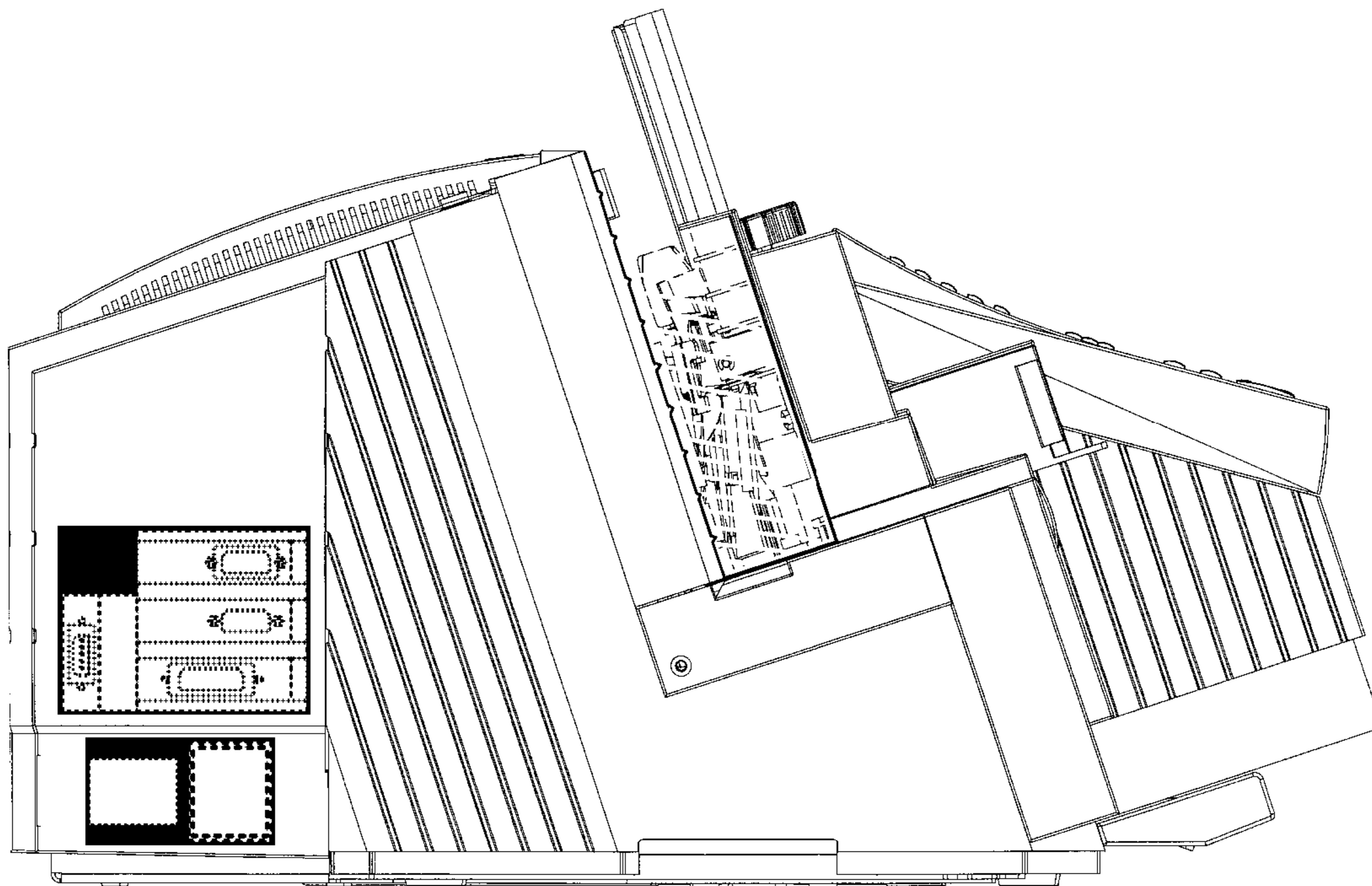


FIG. 4



FIG. 5