



US00D587296S

(12) **United States Design Patent**
Kuramochi

(10) **Patent No.:** **US D587,296 S**

(45) **Date of Patent:** **** Feb. 24, 2009**

(54) **MULTIFUNCTION CASH REGISTER INPUT AND DISPLAY UNIT**

D527,760 S * 9/2006 Ono D18/4.5
D544,028 S * 6/2007 Hanafusa et al. D18/4.4
D570,345 S * 6/2008 Lee et al. D14/336

(75) Inventor: **Naoki Kuramochi**, Tokyo (JP)

* cited by examiner

(73) Assignee: **Casio Keisanki Kabushiki Kaisha**, Tokyo (JP)

Primary Examiner—Caron Veynar

Assistant Examiner—Garth Rademaker

(**) Term: **14 Years**

(74) *Attorney, Agent, or Firm*—Frishauf, Holtz, Goodman & Chick, P.C.

(21) Appl. No.: **29/318,711**

(57) **CLAIM**

(22) Filed: **May 27, 2008**

The ornamental design for a multifunction cash register input and display unit, as shown and described.

(51) **LOC (9) Cl.** **18-01**

(52) **U.S. Cl.** **D18/4.5**

(58) **Field of Classification Search** D14/315, D14/316, 336, 371, 373–376; D18/3.1, 3.2, D18/3.3, 4.1, 4.2, 4.3, 4.4, 4.5, 4.6, 6, 12, D18/12.1, 12.2, 12.3; D21/324, 329–332, D21/521; D99/28, 34, 35, 43; 235/1 E, 6, 235/7 R, 33, 50 A, 50 B, 50 R, 51, 52, 379, 235/386; 705/12, 15–18, 43

See application file for complete search history.

DESCRIPTION

FIG. 1 is a front, right side, top perspective view of a multifunction cash register input and display unit showing my new design;

FIG. 2 is a front elevational view thereof;

FIG. 3 is a rear elevational view thereof;

FIG. 4 is a left side view thereof;

FIG. 5 is a right side view thereof;

FIG. 6 is a top plan view thereof;

FIG. 7 is a bottom plan view thereof; and,

FIG. 8 is a rear, left side, top perspective view thereof, shown in an alternate position of use.

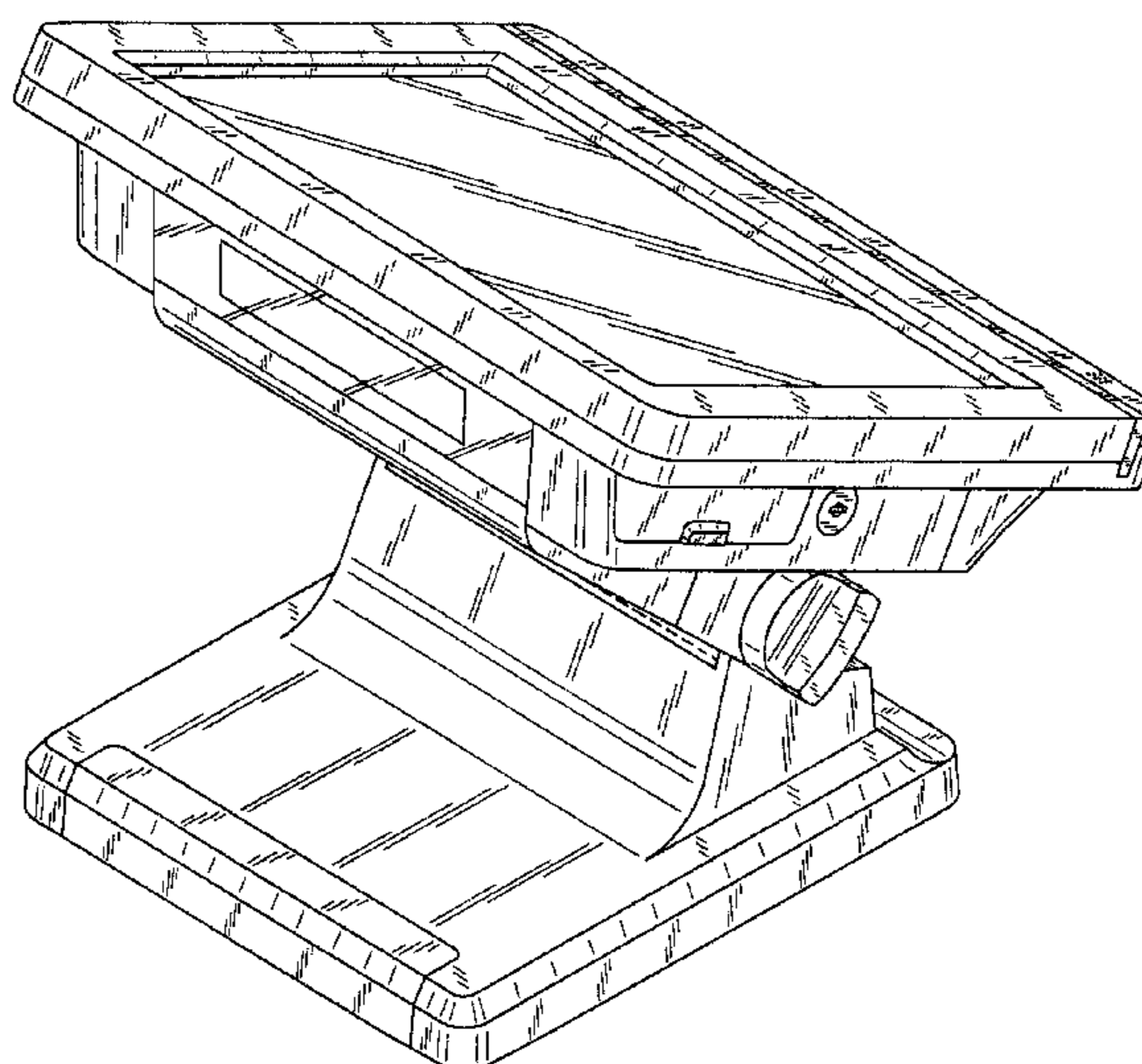
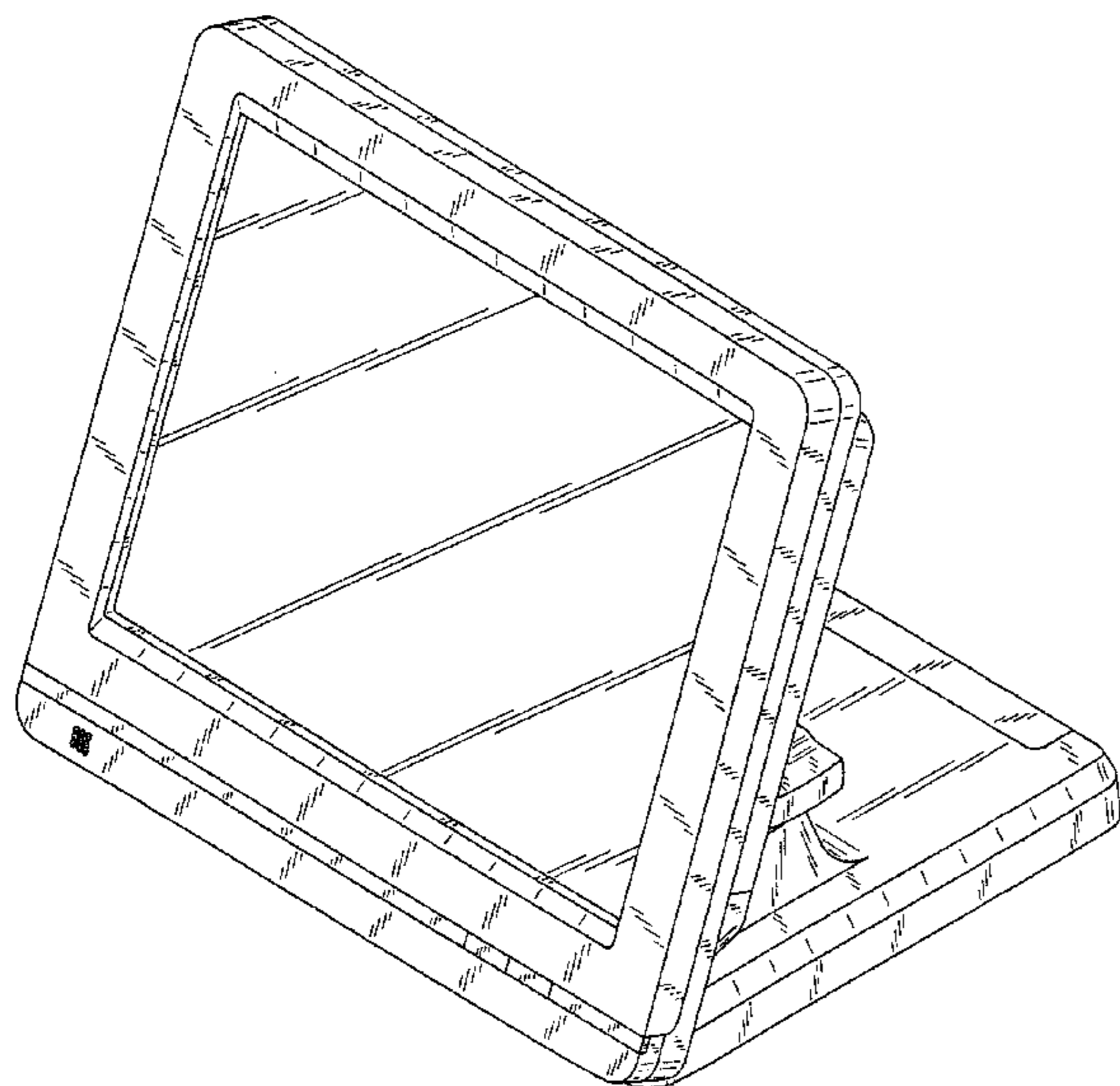
The broken line showings in the drawings are to show environmental subject matter and form no part of the claimed design.

(56) **References Cited**

U.S. PATENT DOCUMENTS

D360,196 S * 7/1995 Cox et al. D18/4.5
D424,098 S * 5/2000 Kim D18/4.5
D458,255 S * 6/2002 Hsu D14/373
D474,228 S * 5/2003 Katou et al. D18/4.3
D494,176 S * 8/2004 Porter et al. D14/336
D507,592 S * 7/2005 Mizusugi et al. D18/4.1
D508,519 S * 8/2005 Kuramochi et al. D18/4.1

1 Claim, 8 Drawing Sheets



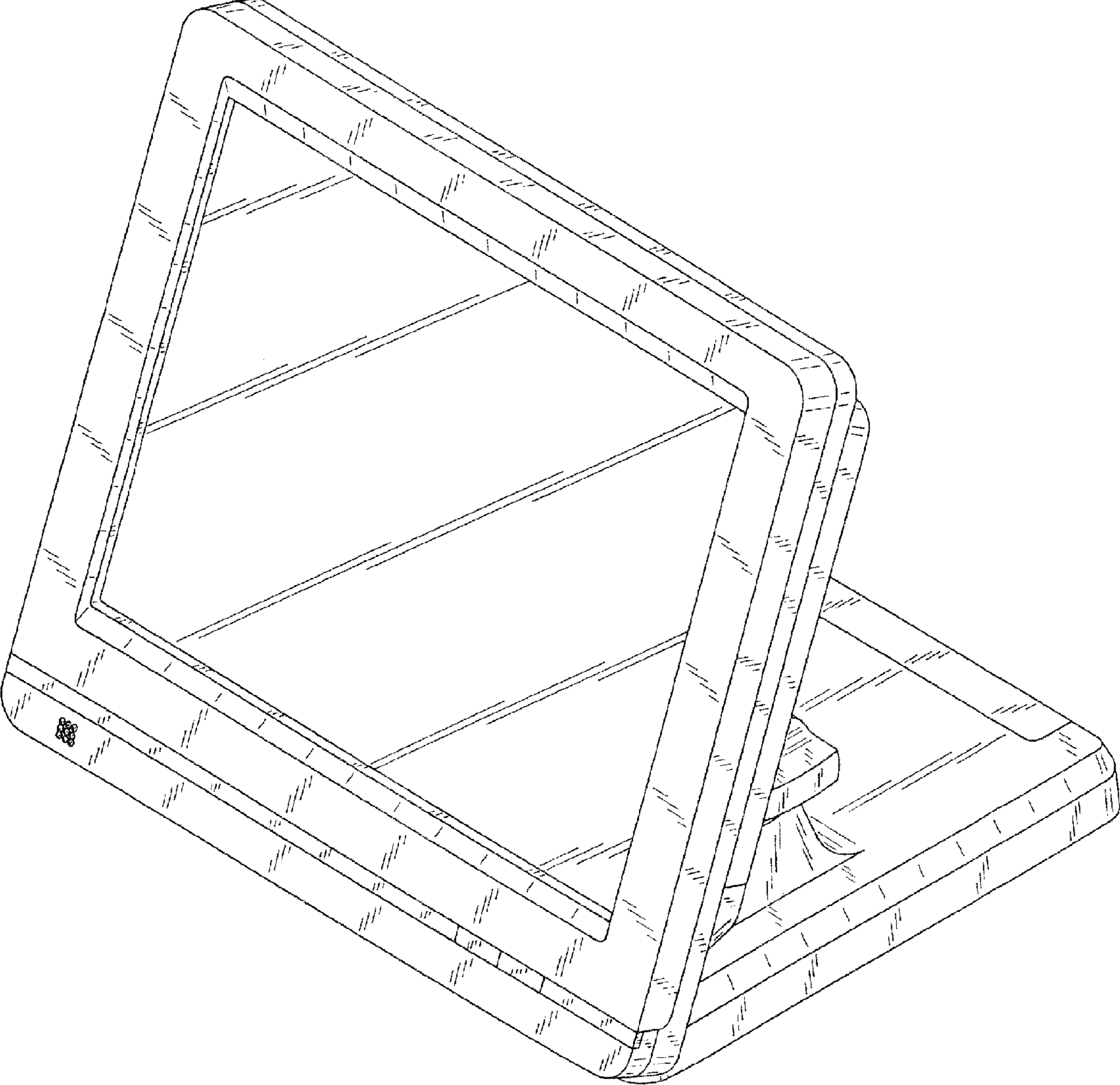


FIG. 1

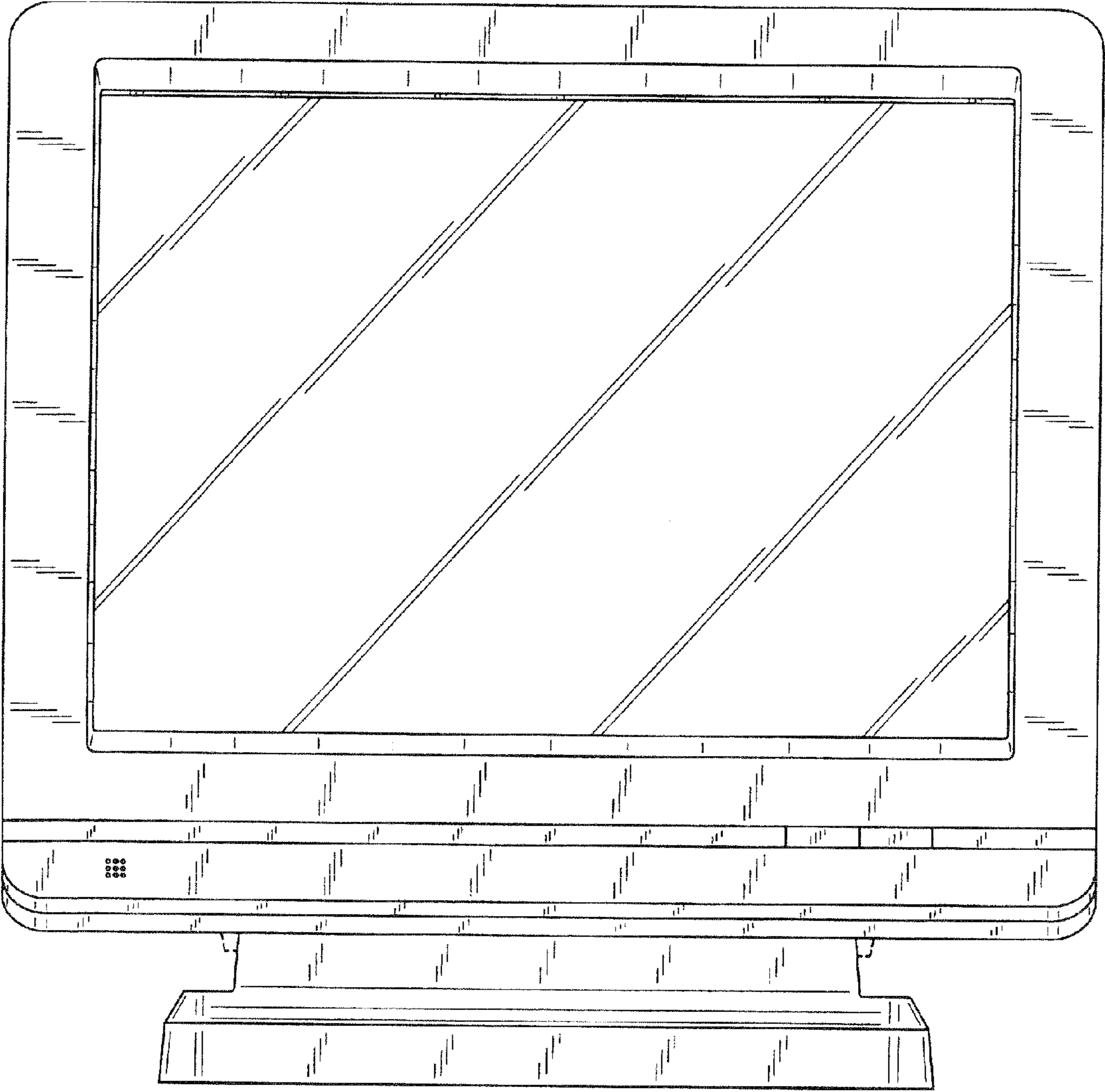


FIG. 2

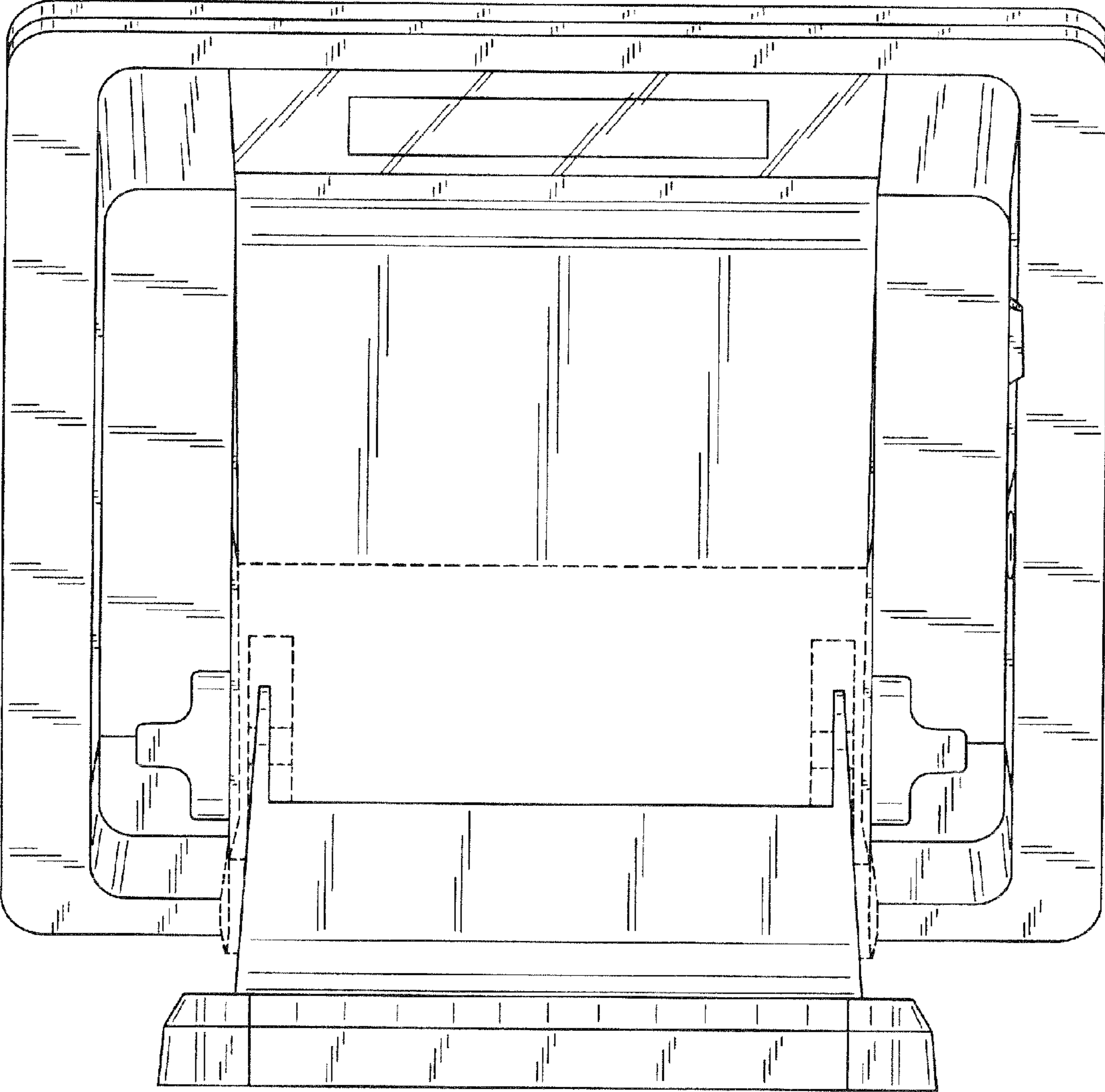


FIG. 3

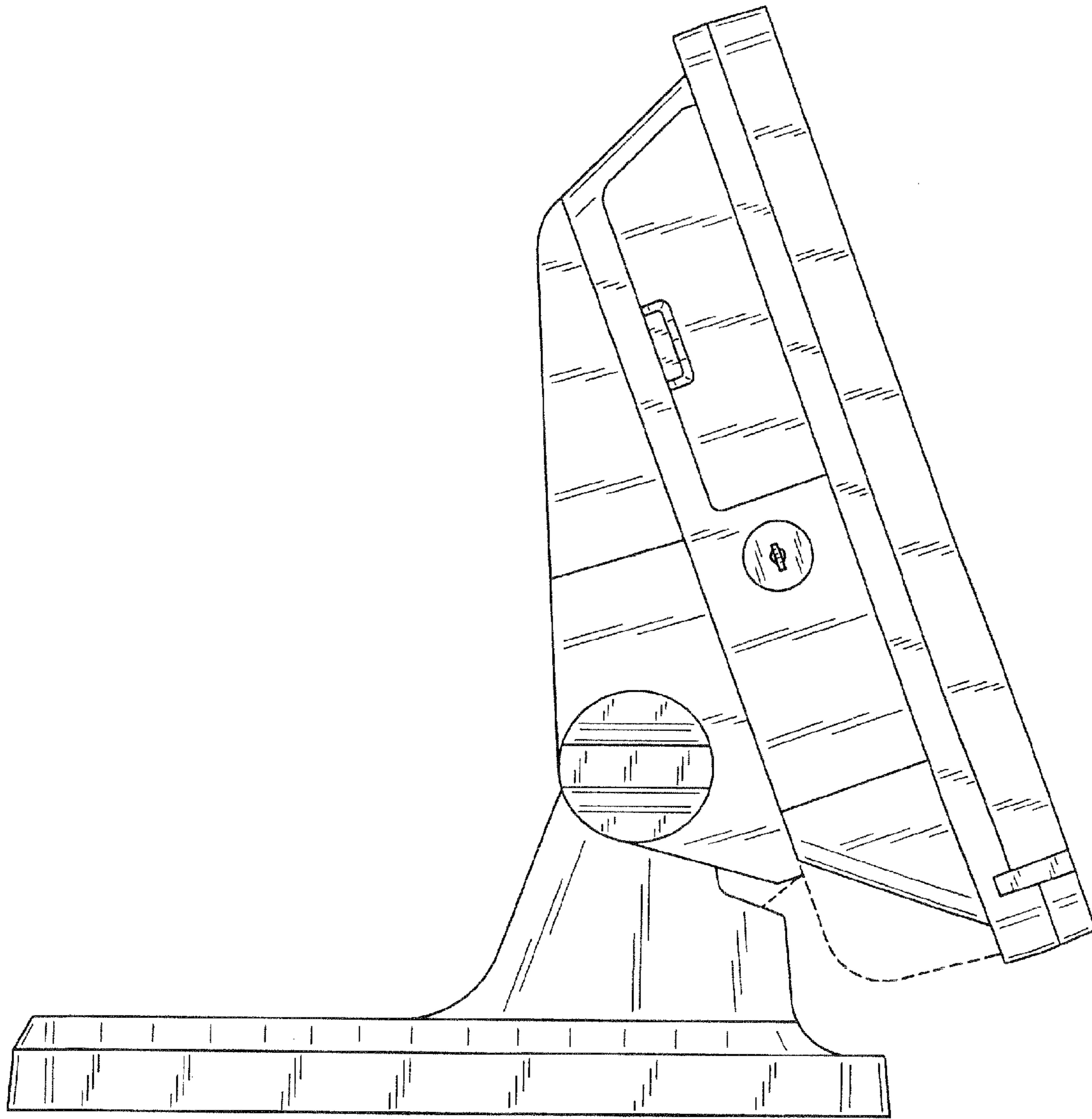


FIG. 4

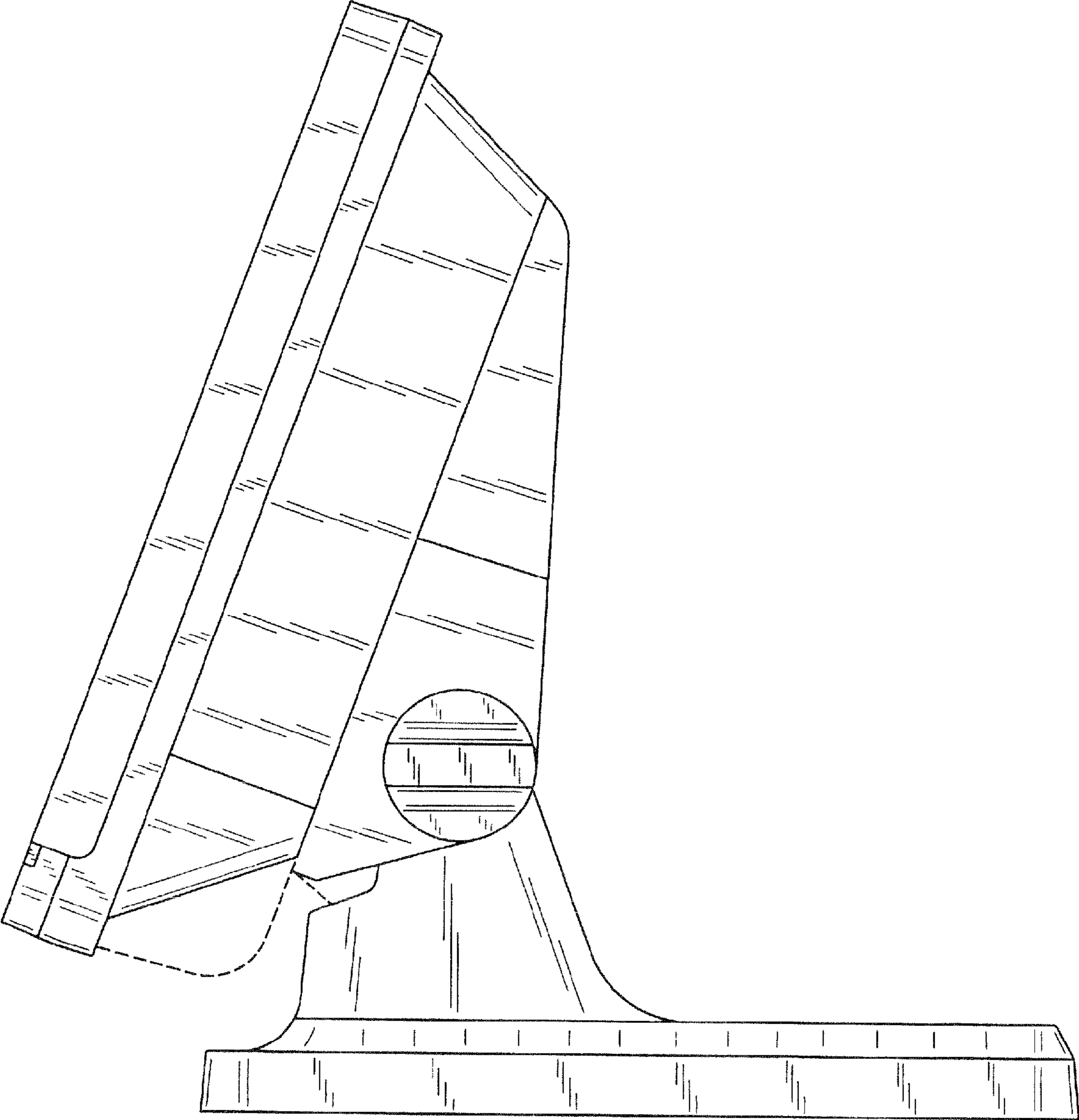


FIG. 5

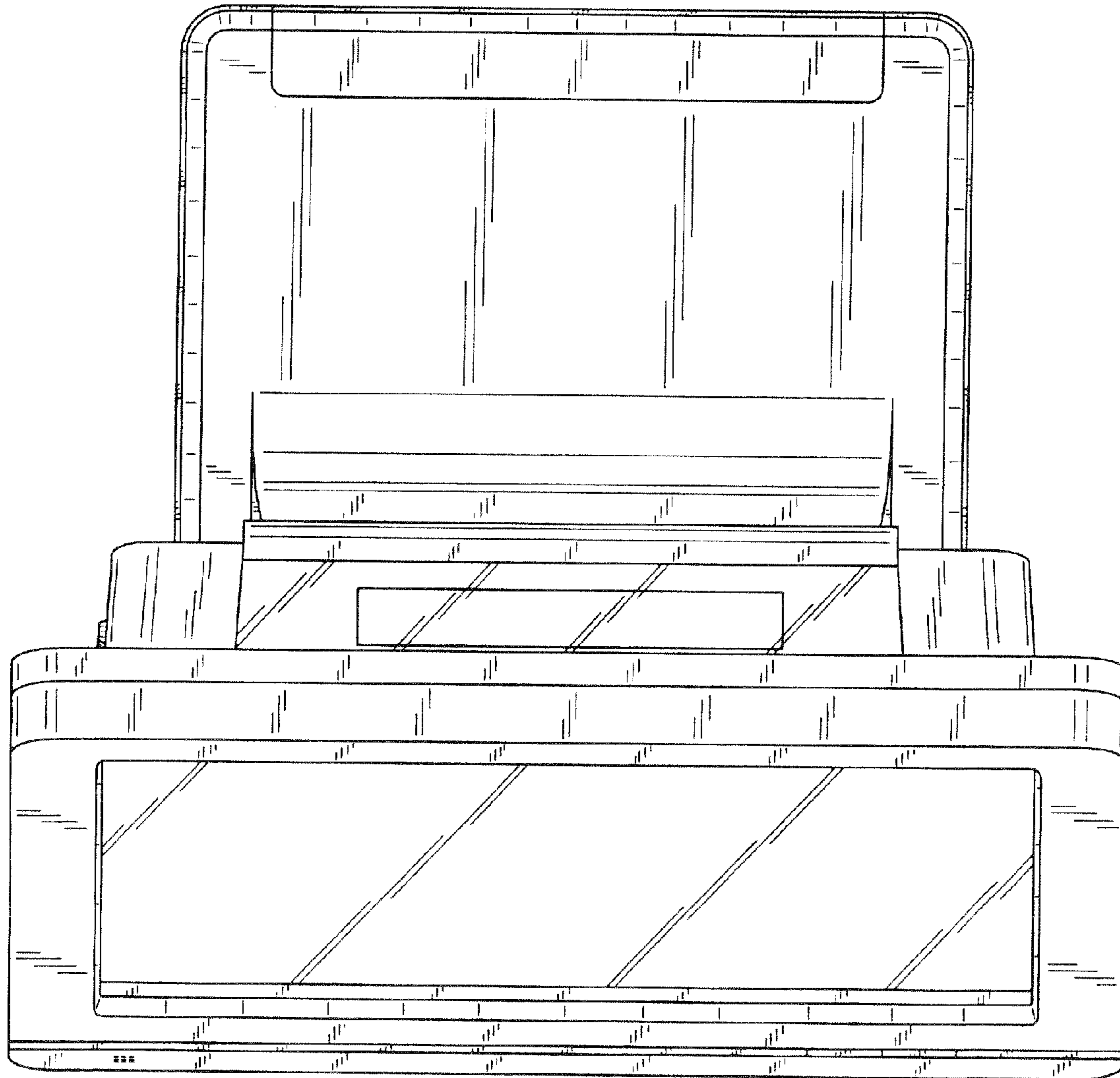


FIG. 6

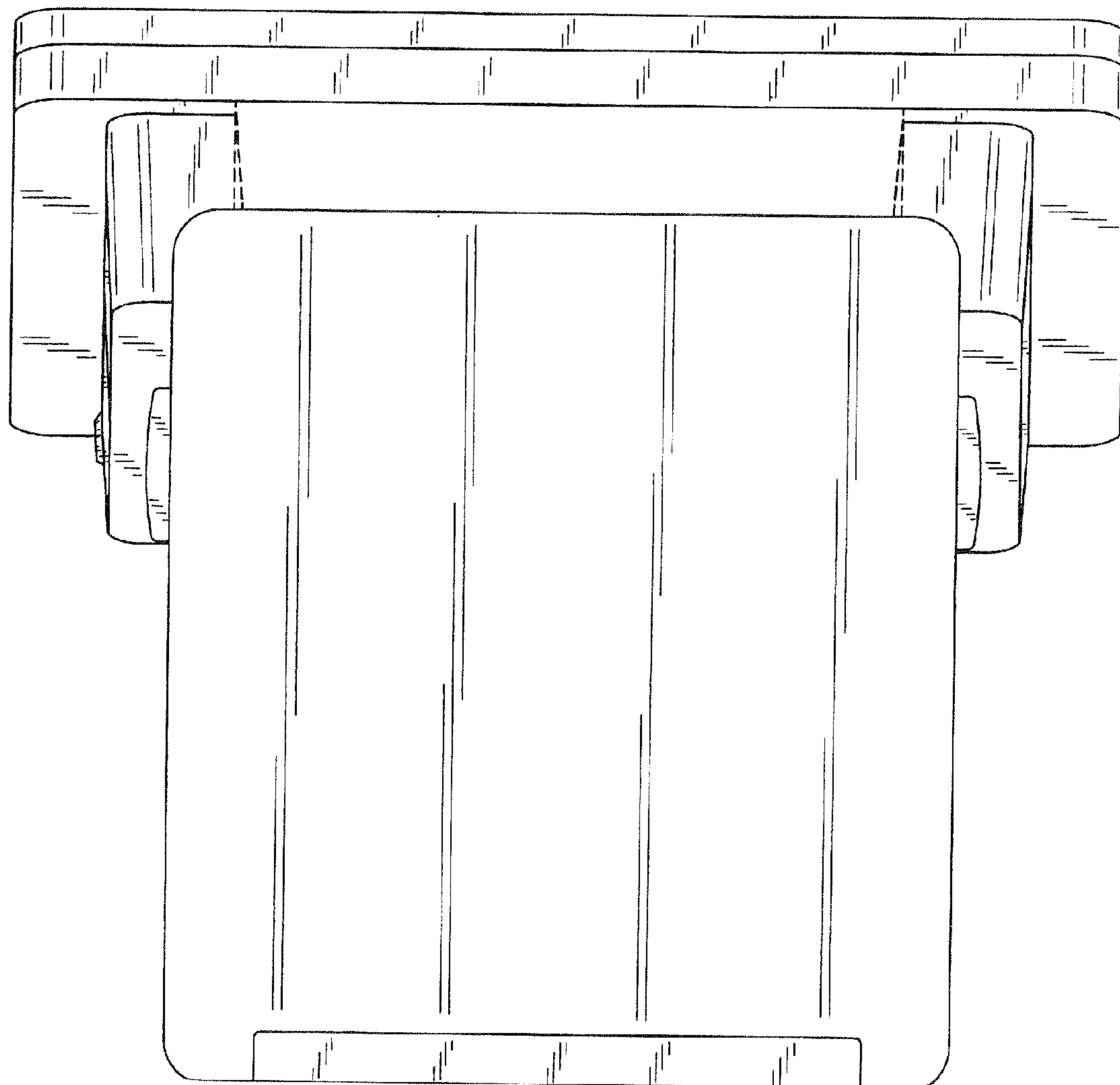


FIG. 7

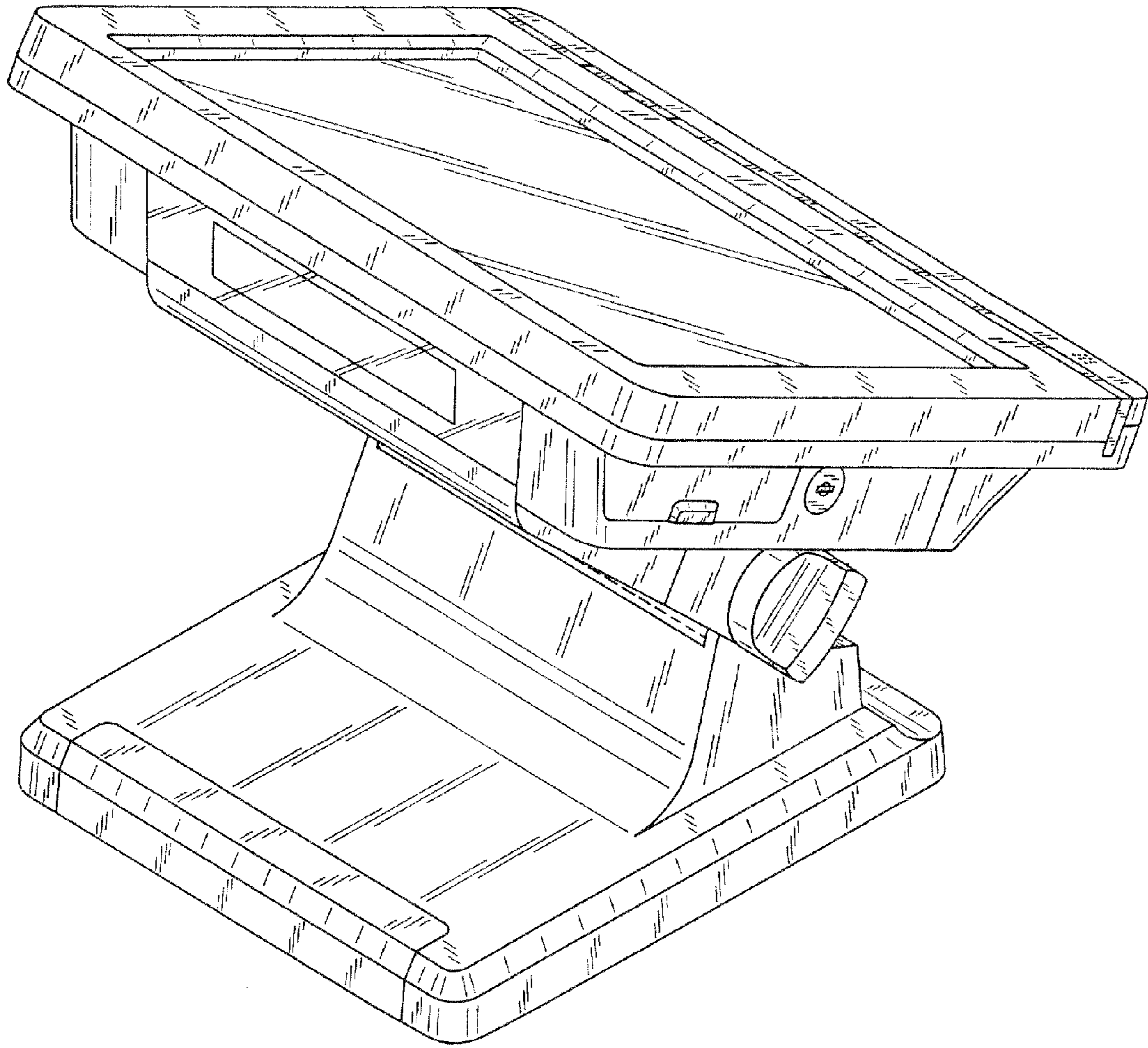


FIG. 8