



US00D587293S

(12) **United States Design Patent**
Dawn

(10) **Patent No.:** **US D587,293 S**

(45) **Date of Patent:** **** Feb. 24, 2009**

(54) **DECORATED EYEWEAR**

(76) **Inventor:** **Martinez M Dawn**, County Road 120,
#58, Espanola, NM (US) 87532

(**) **Term:** **14 Years**

(21) **Appl. No.:** **29/318,639**

(22) **Filed:** **May 23, 2008**

(51) **LOC (9) Cl.** **16-06**

(52) **U.S. Cl.** **D16/314; D16/323**

(58) **Field of Classification Search** D16/101,
D16/300-342; D29/109-110; D24/110.2;
351/41, 44, 51-52, 62, 158, 92, 103-123,
351/140, 153; 2/426-432, 447-449, 441,
2/434-437; D21/483, 659-661

See application file for complete search history.

(56) **References Cited**

U.S. PATENT DOCUMENTS

D61,826 S *	1/1923	Greene	D16/323
1,555,388 A *	9/1925	Schumacher	351/51
D144,289 S *	4/1946	Colwell	D16/323
D152,487 S *	1/1949	Mangold	D16/324
D152,737 S *	2/1949	Richards	D16/324
D178,307 S *	7/1956	Margules	D16/324

D204,698 S *	5/1966	Glass et al.	D16/306
D321,702 S *	11/1991	Jennings	D16/306
D352,301 S *	11/1994	Kuhne	D16/306
5,765,223 A *	6/1998	McCausland	2/436
5,786,716 A *	7/1998	Honda et al.	327/143
5,898,469 A *	4/1999	Wang	351/86
D428,620 S *	7/2000	Maturaporn	D16/314

* cited by examiner

Primary Examiner—Raphael Barkai

(74) *Attorney, Agent, or Firm*—Patwrite LLC; Mark David Torche

(57) **CLAIM**

The ornamental design for a decorated eyewear design, substantially as shown and described.

DESCRIPTION

FIG. 1 is a front orthogonal view of a decorated eyewear in accordance with my design.

FIG. 2 is a top perspective view thereof; and,

FIG. 3 is a front perspective view thereof.

The broken lines are for illustrative purposes only and form no part of the claimed design. The left and right sides of the invention are mirror images of each other.

1 Claim, 3 Drawing Sheets

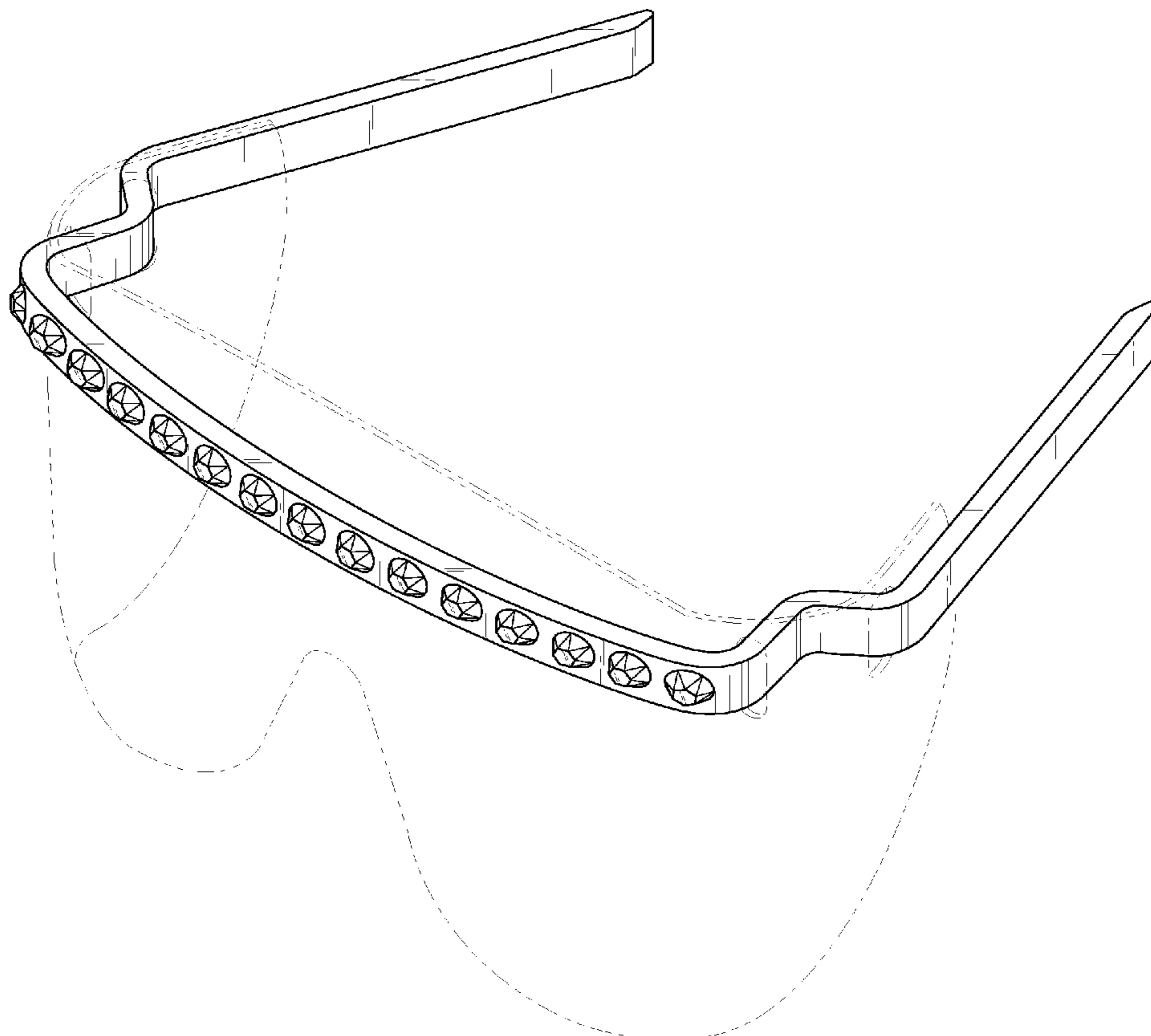
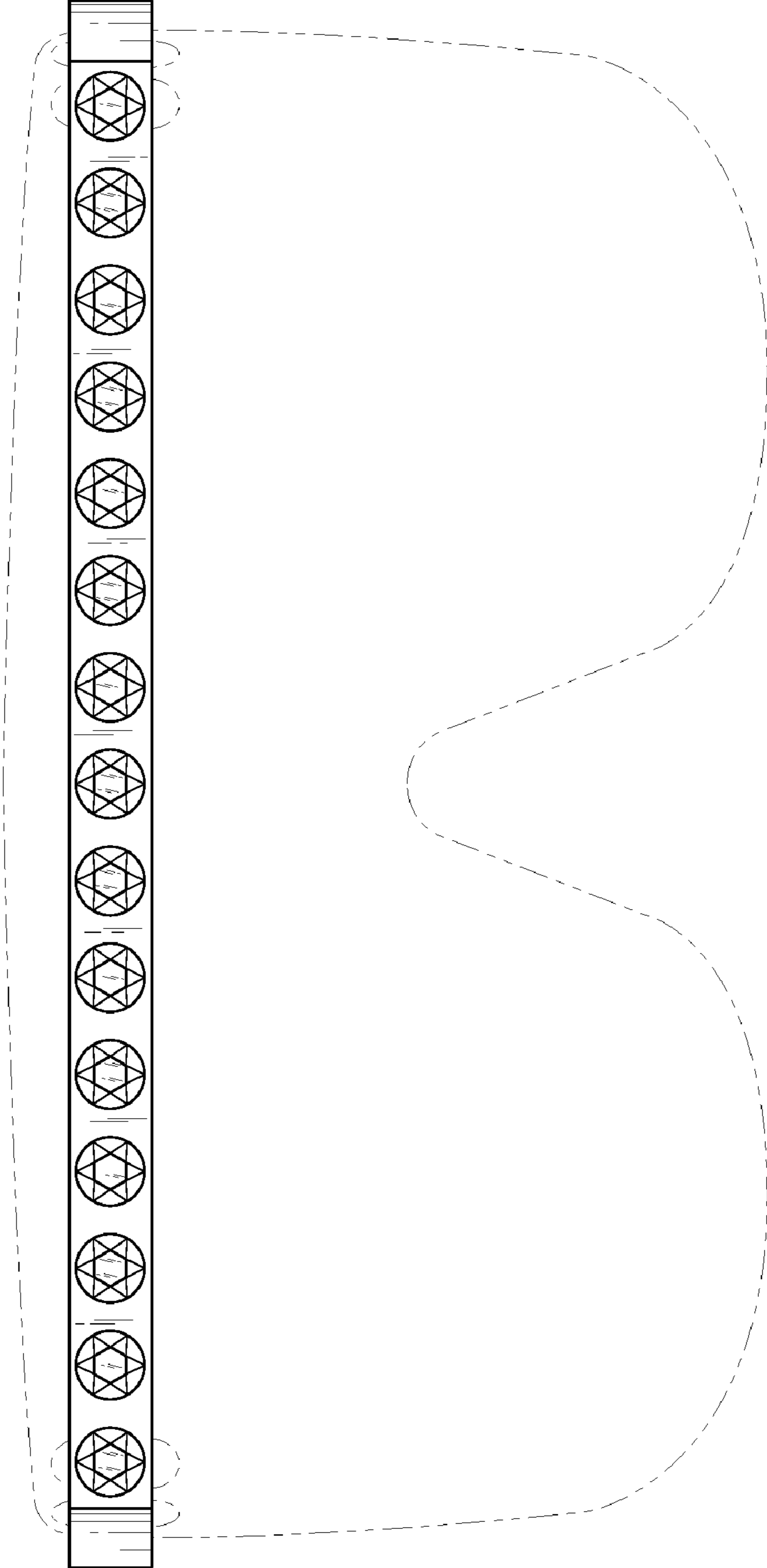


FIG. 1



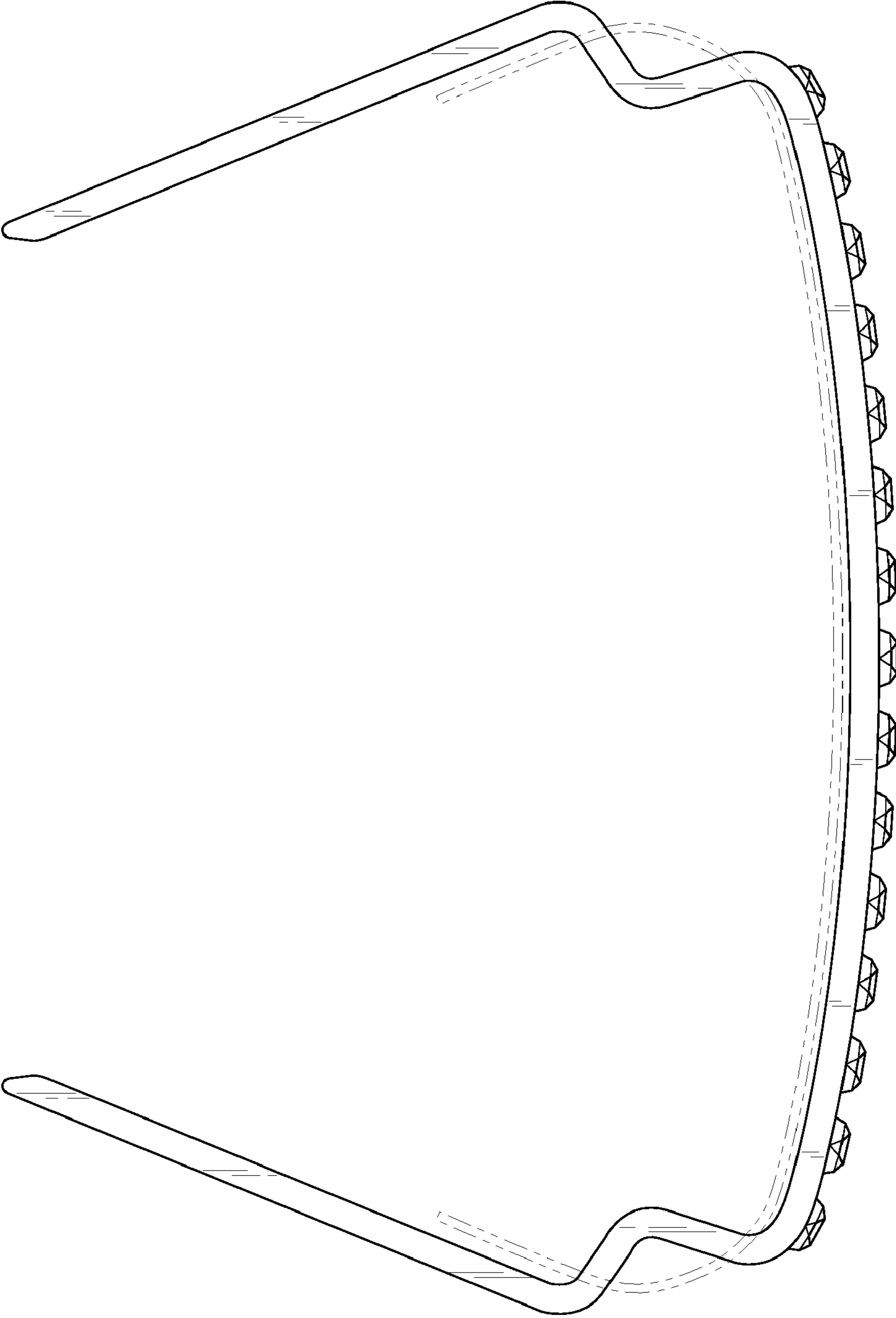


FIG. 2

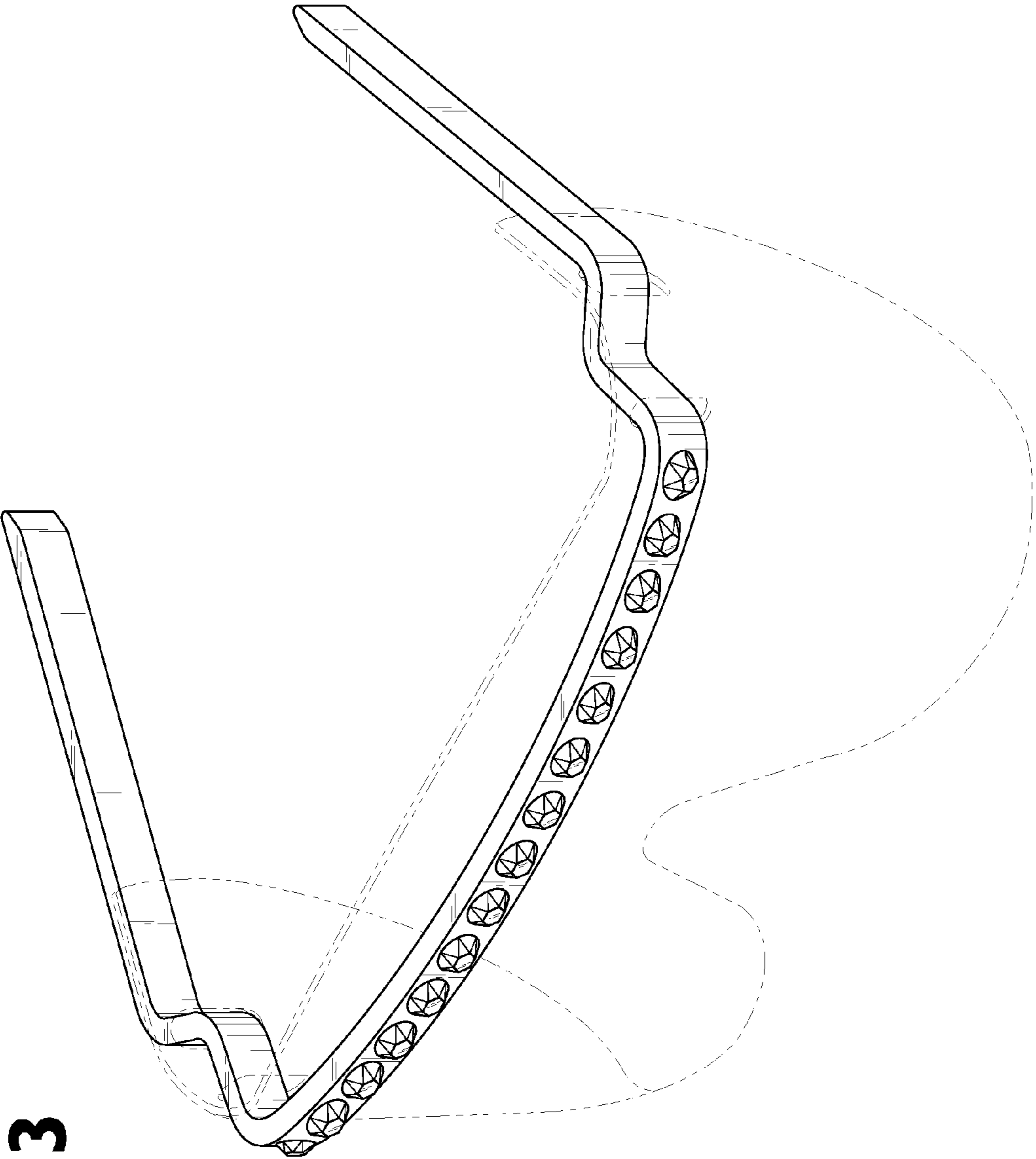


FIG. 3