



US00D587292S

(12) **United States Design Patent**
Kurita et al.

(10) **Patent No.:** **US D587,292 S**

(45) **Date of Patent:** **** Feb. 24, 2009**

(54) **DIGITAL CAMERA**

(75) Inventors: **Masahiro Kurita**, Tokyo (JP); **Tatsuo Okuda**, Tokyo (JP); **Masami Iida**, Kanagawa (JP)

(73) Assignee: **Ricoh Company, Ltd.**, Tokyo (JP)

(**) Term: **14 Years**

(21) Appl. No.: **29/302,970**

(22) Filed: **Jan. 29, 2008**

Related U.S. Application Data

(63) Continuation of application No. 29/282,484, filed on Jul. 20, 2007, now Pat. No. Des. 565,076, which is a continuation of application No. 29/252,768, filed on Jan. 27, 2006, now Pat. No. Des. 547,344.

(30) **Foreign Application Priority Data**

Jul. 29, 2005 (JP) 2005-022168

(51) **LOC (9) Cl.** **16-05**

(52) **U.S. Cl.** **D16/219**

(58) **Field of Classification Search** D16/200-204, D16/208, 218, 219; 348/373-376; 358/909.1; 396/535-541

See application file for complete search history.

(56) **References Cited**

U.S. PATENT DOCUMENTS

6,491,449 B2 * 12/2002 Katagiri 396/538

D496,380 S * 9/2004 Isomoto D16/202
D530,357 S * 10/2006 Takahashi et al. D16/219
D536,356 S * 2/2007 Nakamura D16/202
D566,153 S * 4/2008 Katsuraku D16/218
2005/0270412 A1 * 12/2005 Kamon et al. 348/362

OTHER PUBLICATIONS

Japanese Office Action, Mailing No. 010457 2/E, mailed Mar. 10, 2006.

* cited by examiner

Primary Examiner—Adir Aronovich

(74) *Attorney, Agent, or Firm*—Dickstein Shapiro LLP

(57) **CLAIM**

The ornamental design for a digital camera, as shown and described.

DESCRIPTION

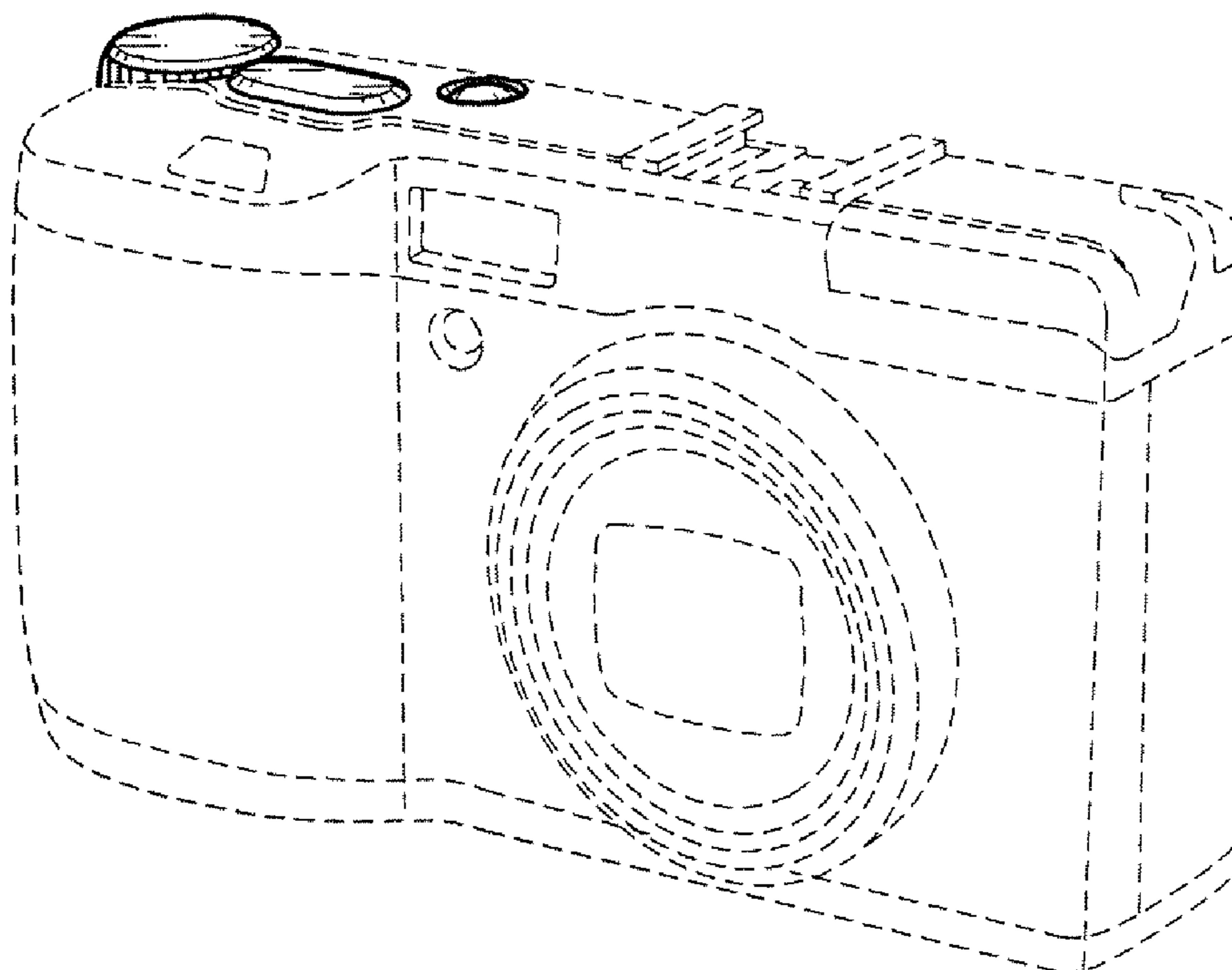
FIG. 1 is a top plan view of a digital camera, according to the present invention;

FIG. 2 is a top, front and right side perspective view thereof; and,

FIG. 3 is a top, rear and left side perspective view thereof.

The broken lines in the drawings that encircle the solid lines are boundary lines for the respective figures and form no part of the claimed design. The other broken lines disclosed in the drawings are shown to illustrate environment only and form no part of the claimed design.

1 Claim, 2 Drawing Sheets



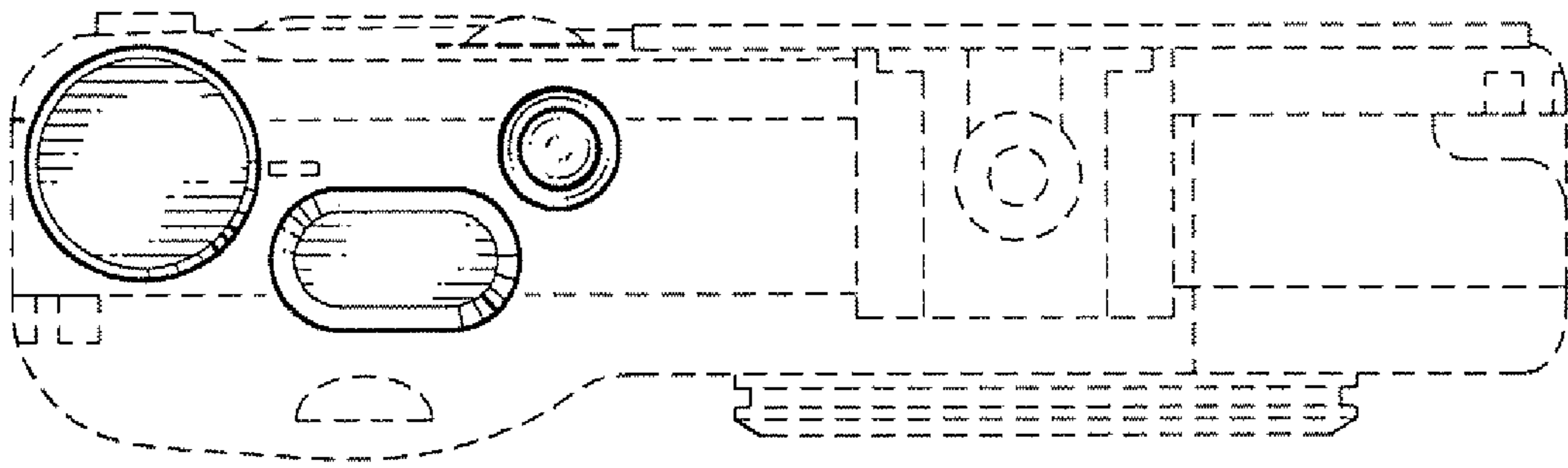


FIG. 1

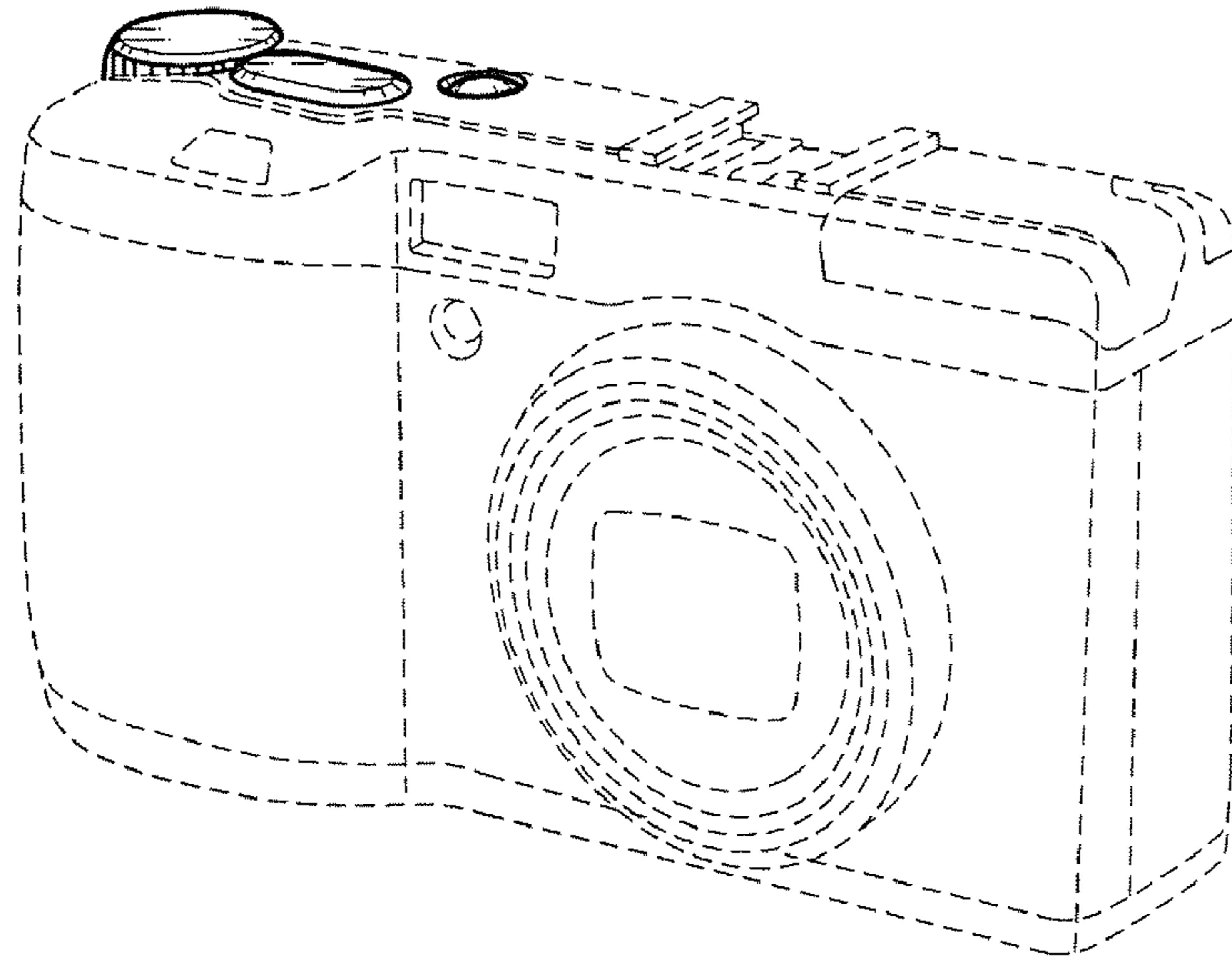


FIG. 2

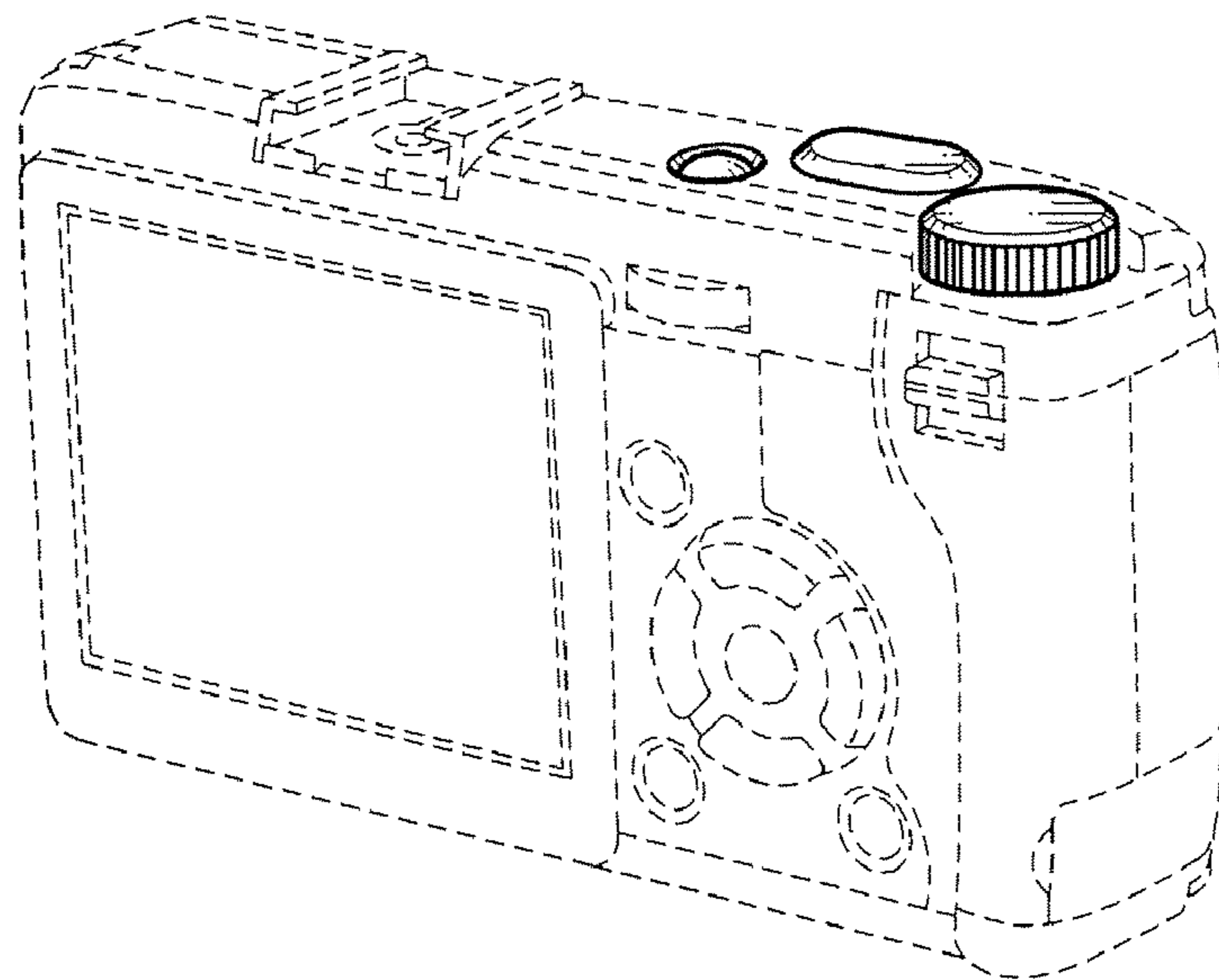


FIG. 3