



US00D587289S

(12) **United States Design Patent**
Leasure

(10) **Patent No.:** **US D587,289 S**

(45) **Date of Patent:** **** Feb. 24, 2009**

(54) **TABLE SAW**

(75) **Inventor:** **Jeremy D. Leasure**, Jackson, TN (US)

(73) **Assignee:** **Black & Decker Inc.**, Newark, DE (US)

(**) **Term:** **14 Years**

(21) **Appl. No.:** **29/320,113**

(22) **Filed:** **Jun. 20, 2008**

(51) **LOC (9) Cl.** **15-09**

(52) **U.S. Cl.** **D15/133**

(58) **Field of Classification Search** D15/133;
83/432, 435, 438, 468, 468.3, 468.7, 471.2,
83/477, 477.2, 478; 144/253.1, 286.1, 286.5,
144/287

See application file for complete search history.

(56) **References Cited**

U.S. PATENT DOCUMENTS

| | | | | | |
|--------------|------|--------|----------------|-------|----------|
| 4,308,777 | A * | 1/1982 | Lawson | | 83/477.2 |
| D479,538 | S * | 9/2003 | Welsh et al. | | D15/133 |
| 7,337,701 | B2 * | 3/2008 | Smith | | 83/438 |
| D577,374 | S * | 9/2008 | Leasure et al. | | D15/133 |
| 2005/0139057 | A1 * | 6/2005 | Gass et al. | | 83/477.2 |

| | | | | | |
|--------------|------|--------|------------------|-------|-----------|
| 2006/0201295 | A1 * | 9/2006 | Jorgensen | | 83/100 |
| 2006/0201301 | A1 * | 9/2006 | Schwaiger et al. | | 83/477.1 |
| 2007/0006703 | A1 * | 1/2007 | Lin | | 83/522.11 |
| 2007/0095185 | A1 * | 5/2007 | Chang | | 83/478 |
| 2008/0178722 | A1 * | 7/2008 | Gass et al. | | 83/478 |

* cited by examiner

Primary Examiner—Sandra Snapp

Assistant Examiner—Patricia Palasik

(74) *Attorney, Agent, or Firm*—Adan Ayala

(57) **CLAIM**

The ornamental design for a table saw, as shown and described.

DESCRIPTION

FIG. 1 is a perspective view of a table saw according to the invention.

FIG. 2 is a left side view of the table saw of FIG. 1.

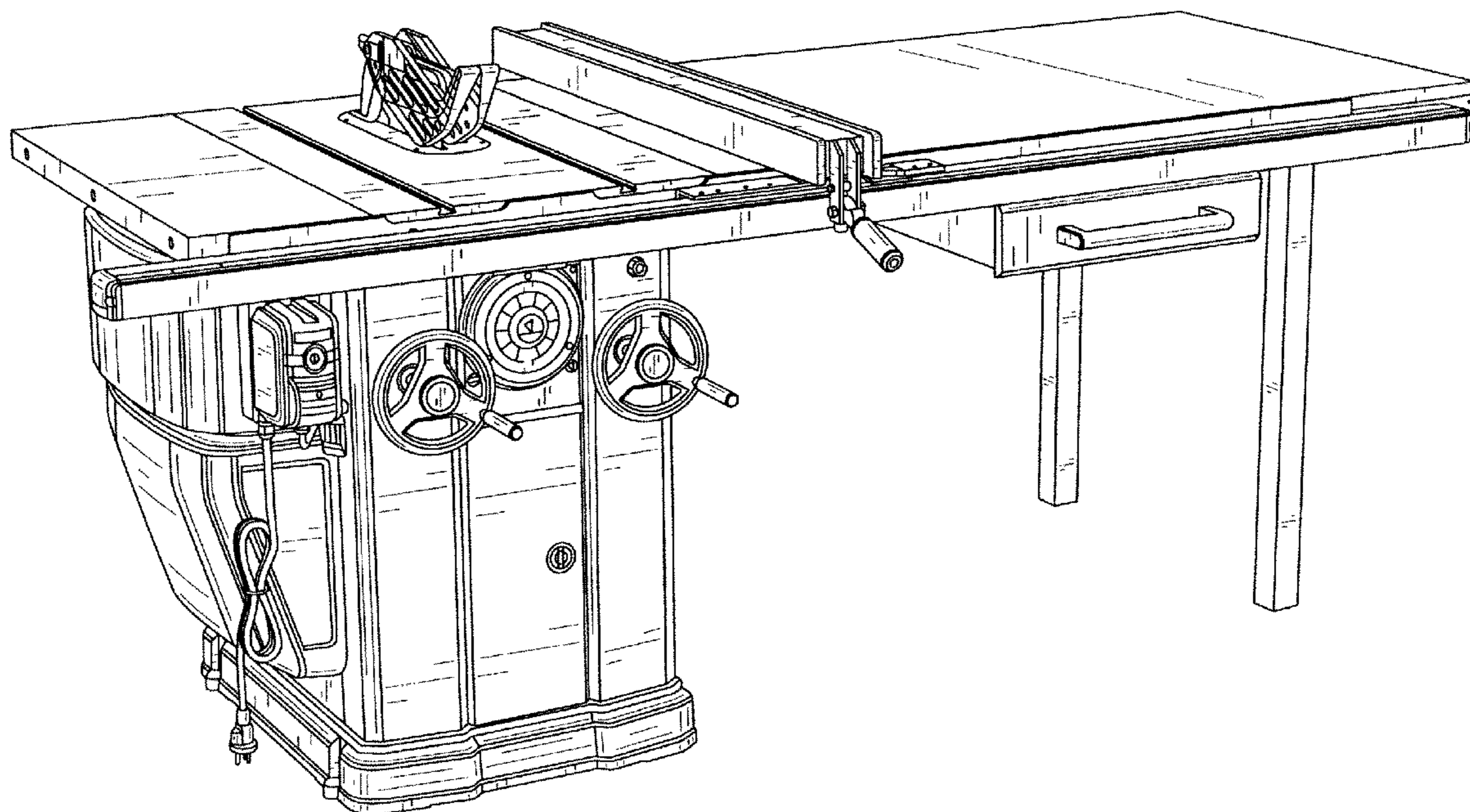
FIG. 3 is a right side view of the table saw of FIG. 1.

FIG. 4 is a front view of the table saw of FIG. 1.

FIG. 5 is a rear view of the table saw of FIG. 1; and,

FIG. 6 is a top plan view of the table saw of FIG. 1.

1 Claim, 5 Drawing Sheets



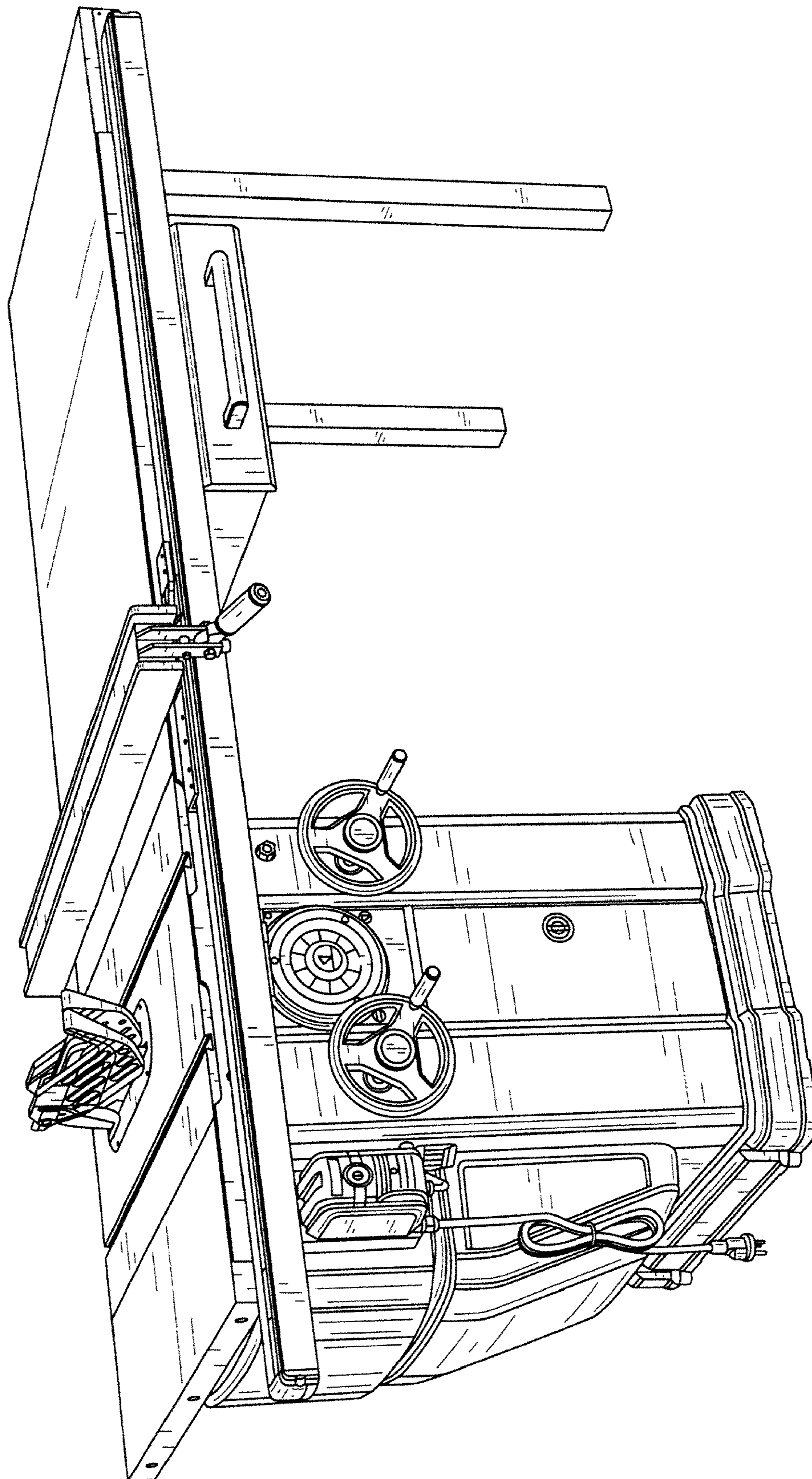


FIG. 1

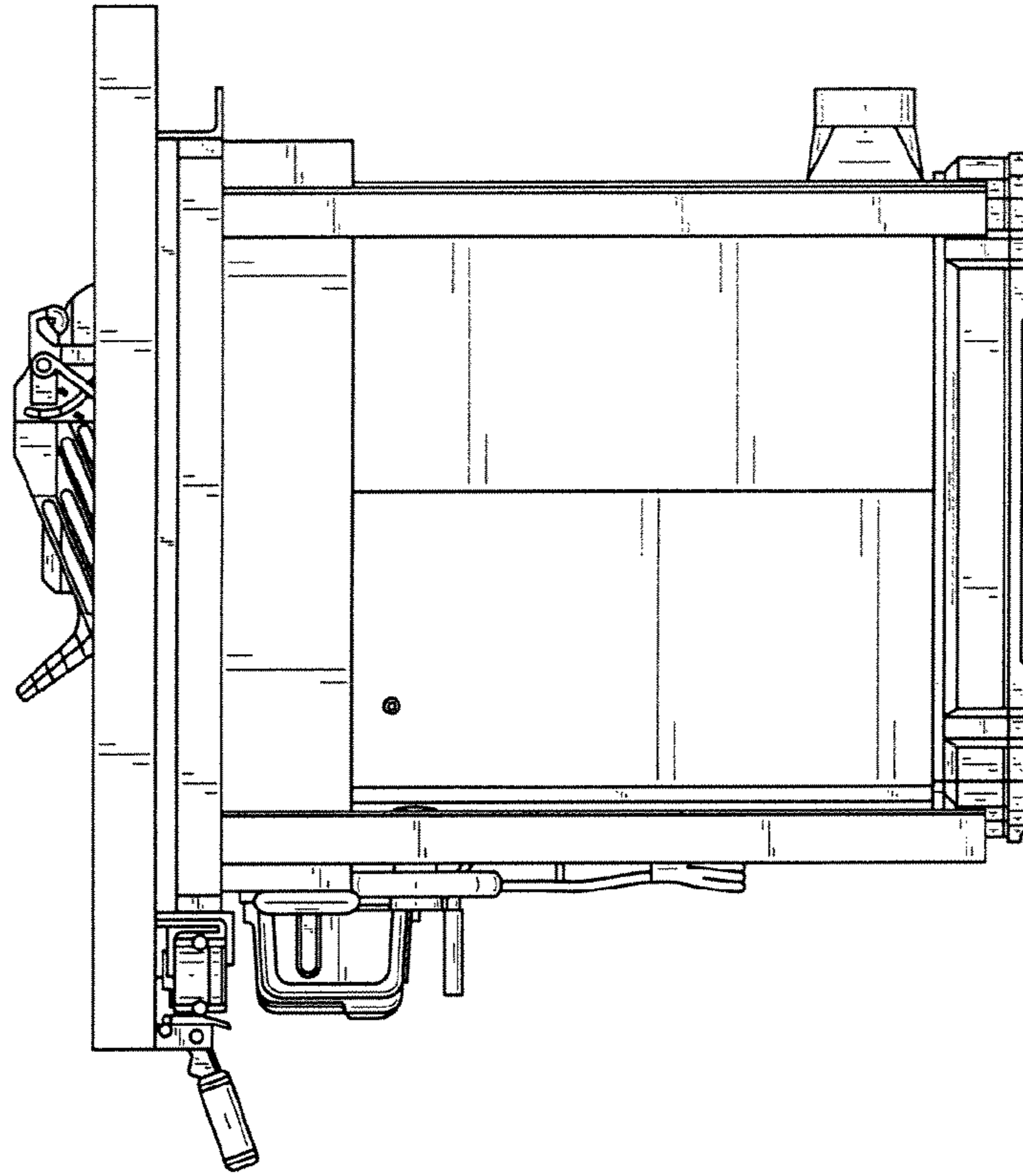


FIG. 3

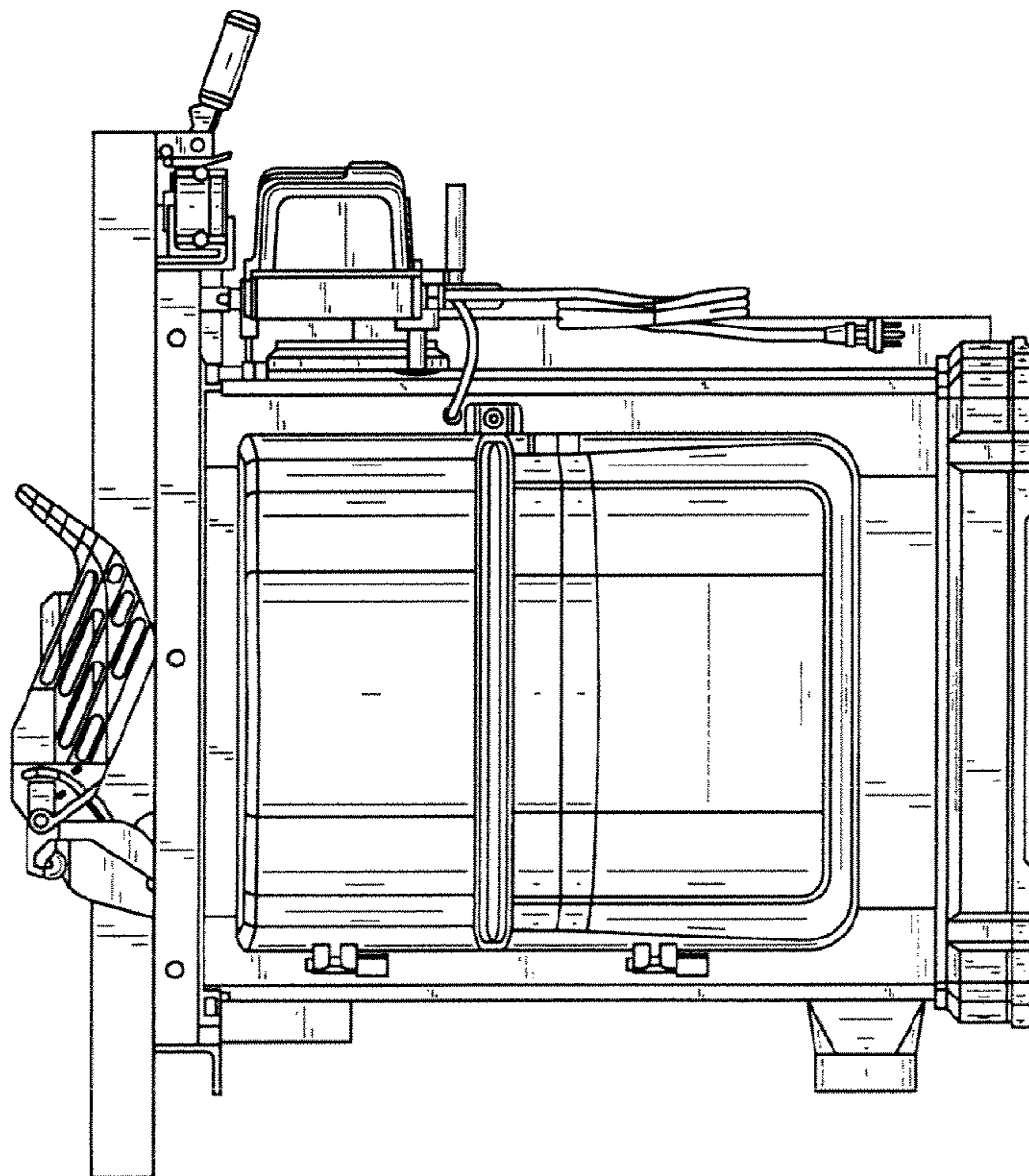


FIG. 2

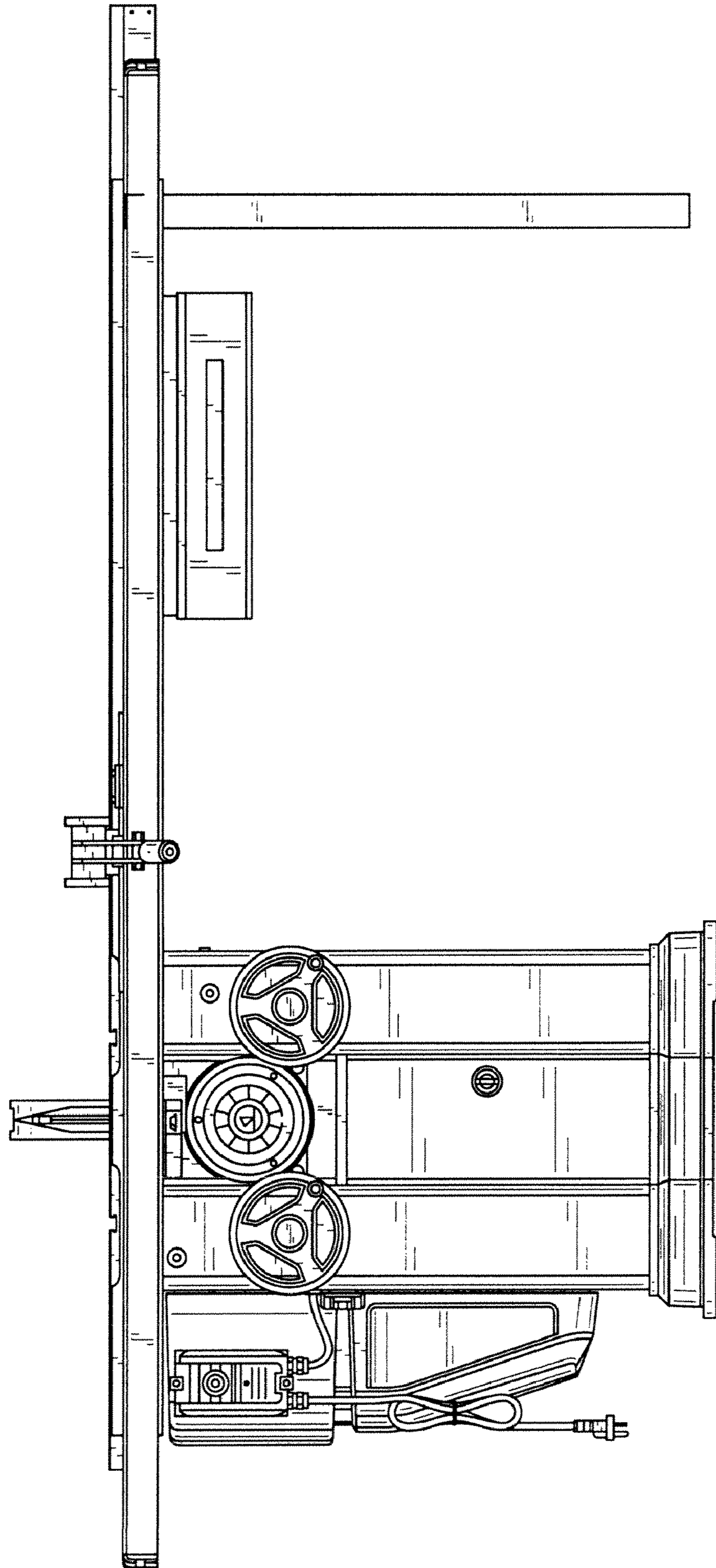


FIG. 4

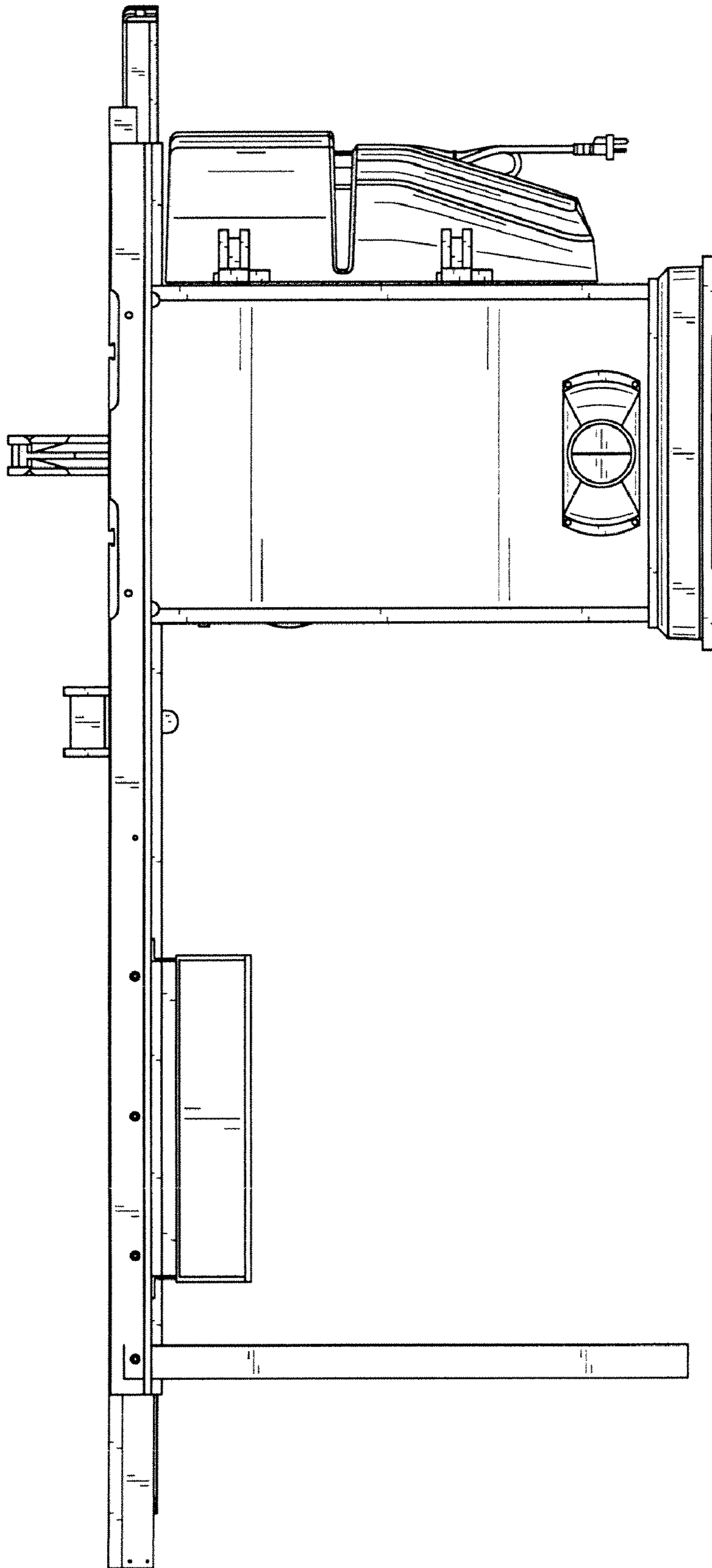


FIG. 5

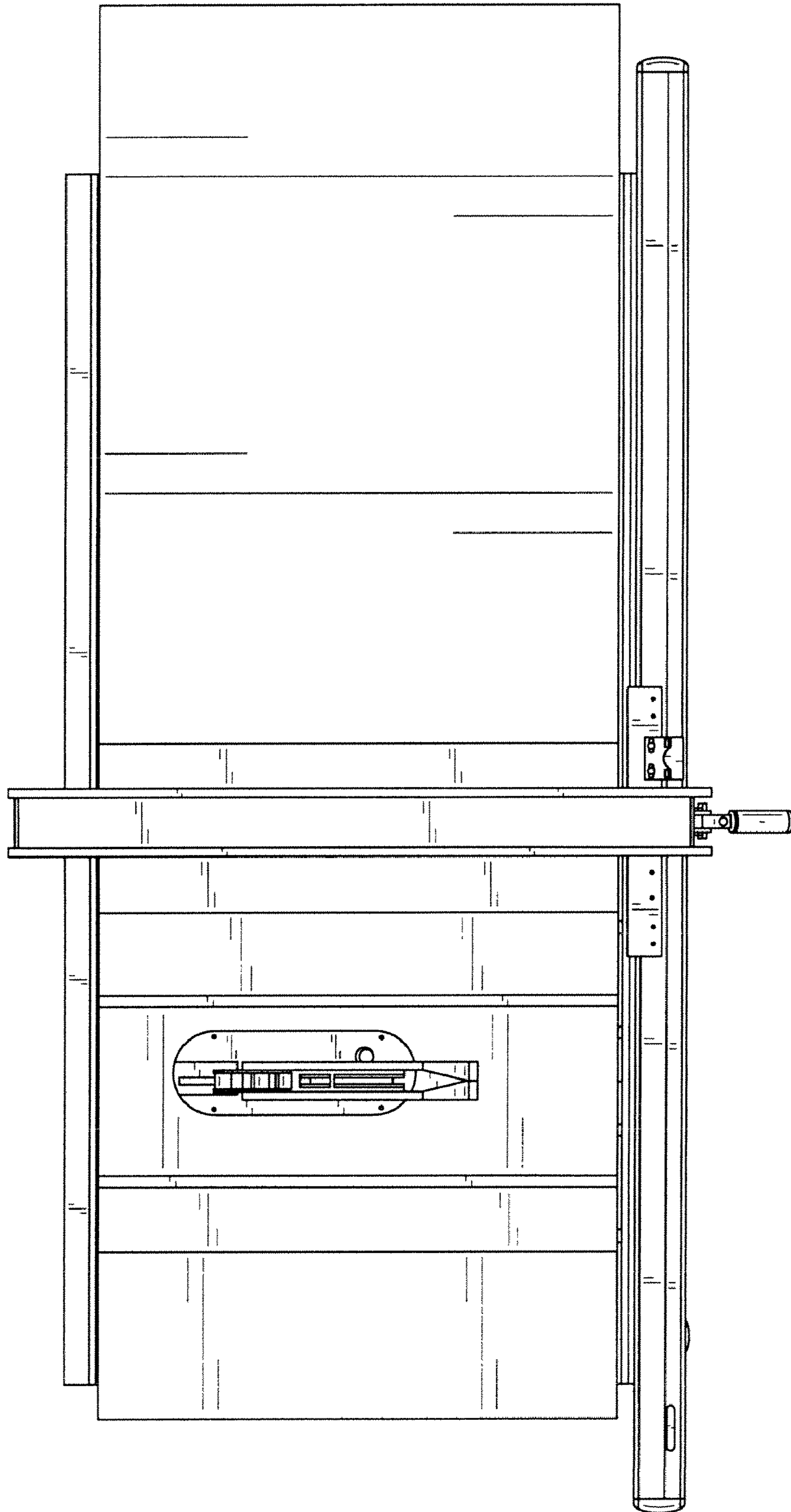


FIG. 6