



US00D587284S

(12) **United States Design Patent**
Stopanio

(10) **Patent No.:** **US D587,284 S**

(45) **Date of Patent:** **** Feb. 24, 2009**

(54) **ROLLER ROCKER ARM**

(57) **CLAIM**

(76) **Inventor:** **Robert Stopanio**, Scorpion Performance, Inc., 3000 SW. 4th Ave., Ft. Lauderdale, FL (US) 33315

The ornamental design for a roller rocker arm, as shown and described.

(**) **Term:** **14 Years**

DESCRIPTION

(21) **Appl. No.:** **29/308,852**

FIG. 1 is a front elevation view of a roller rocker arm showing my new design;

(22) **Filed:** **Jul. 14, 2008**

FIG. 2 is a right end view of a roller rocker arm showing my new design;

(51) **LOC (9) Cl.** **15-01**

(52) **U.S. Cl.** **D15/5**

(58) **Field of Classification Search** D15/1-5;
73/753; 123/41.67, 198 E, 572-574, 90.38,
123/195 C, 98 R, 1; D12/400

FIG. 3 is a left end view of a roller rocker arm showing my new design;

See application file for complete search history.

FIG. 4 is a perspective view of the top and front of a roller rocker arm showing my new design;

(56) **References Cited**

U.S. PATENT DOCUMENTS

D574,853 S * 8/2008 Harbert D15/5

FIG. 5 is a top plan view of a roller rocker arm showing my new design; and,

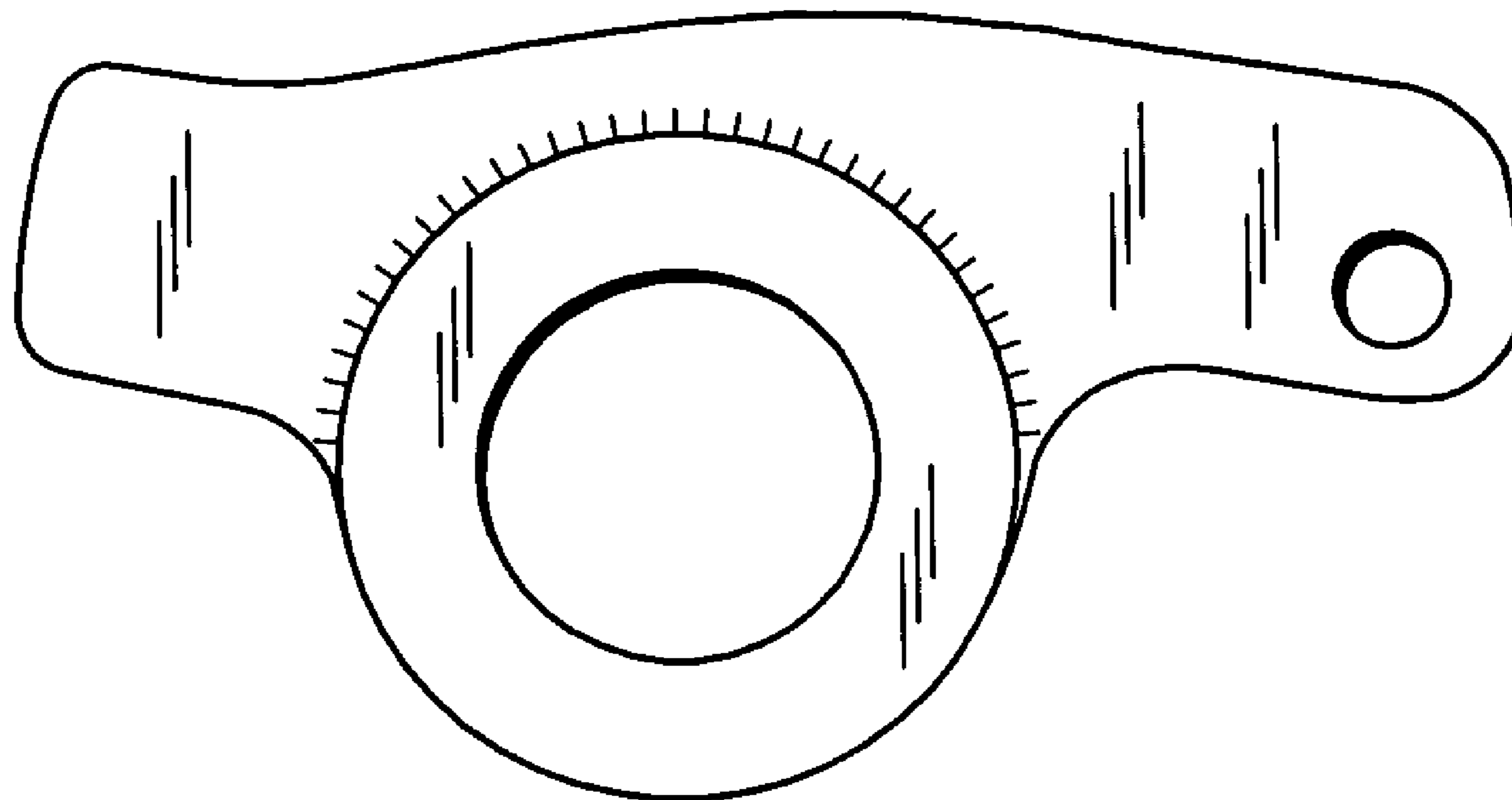
* cited by examiner

FIG. 6 is a bottom plan view of a roller rocker arm showing my new design.

The rear view of the roller rocker arm is the mirror image of the front view.

Primary Examiner—Lisa P Lichtenstein

1 Claim, 1 Drawing Sheet



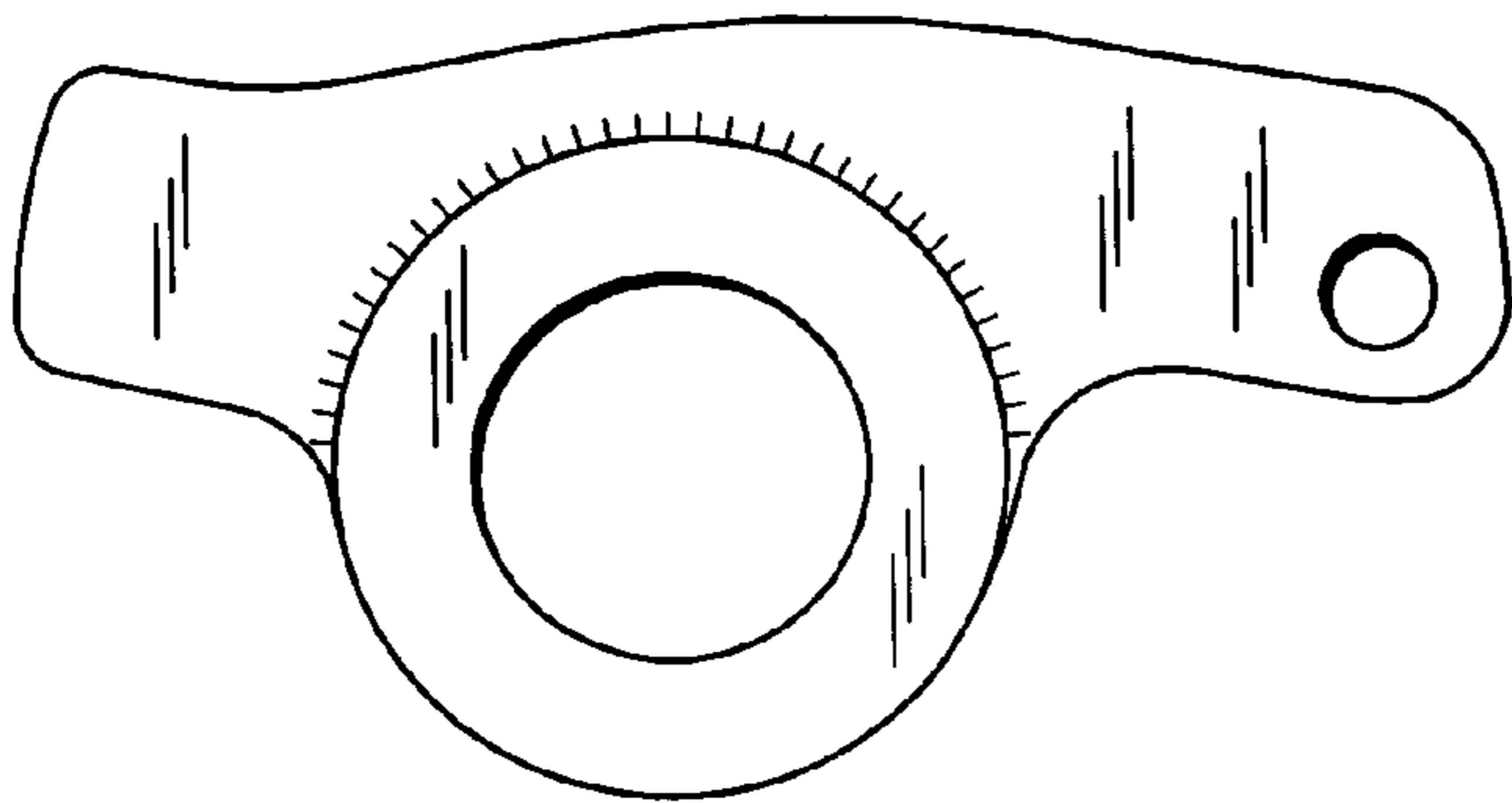


FIG. 1

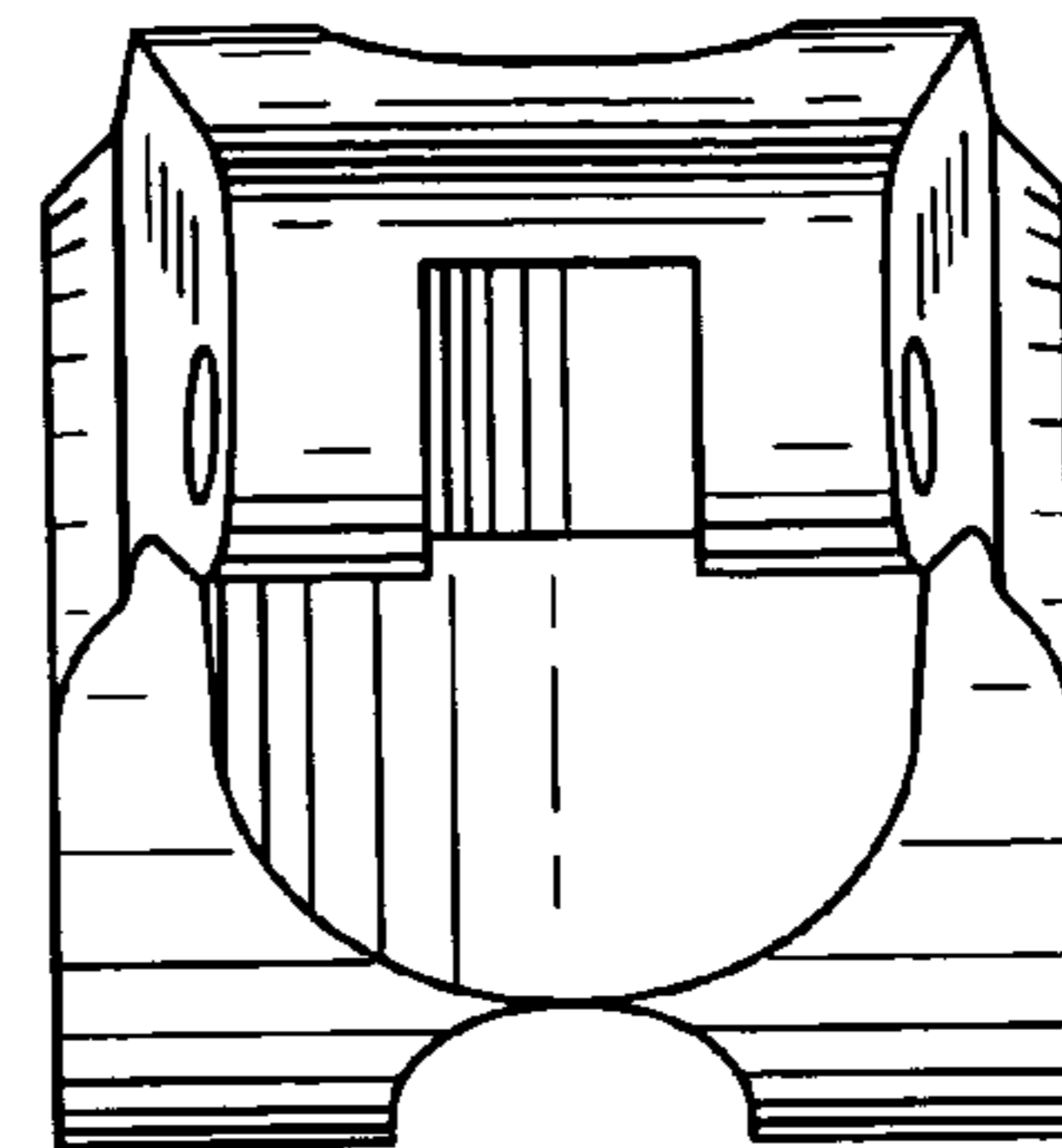


FIG. 2

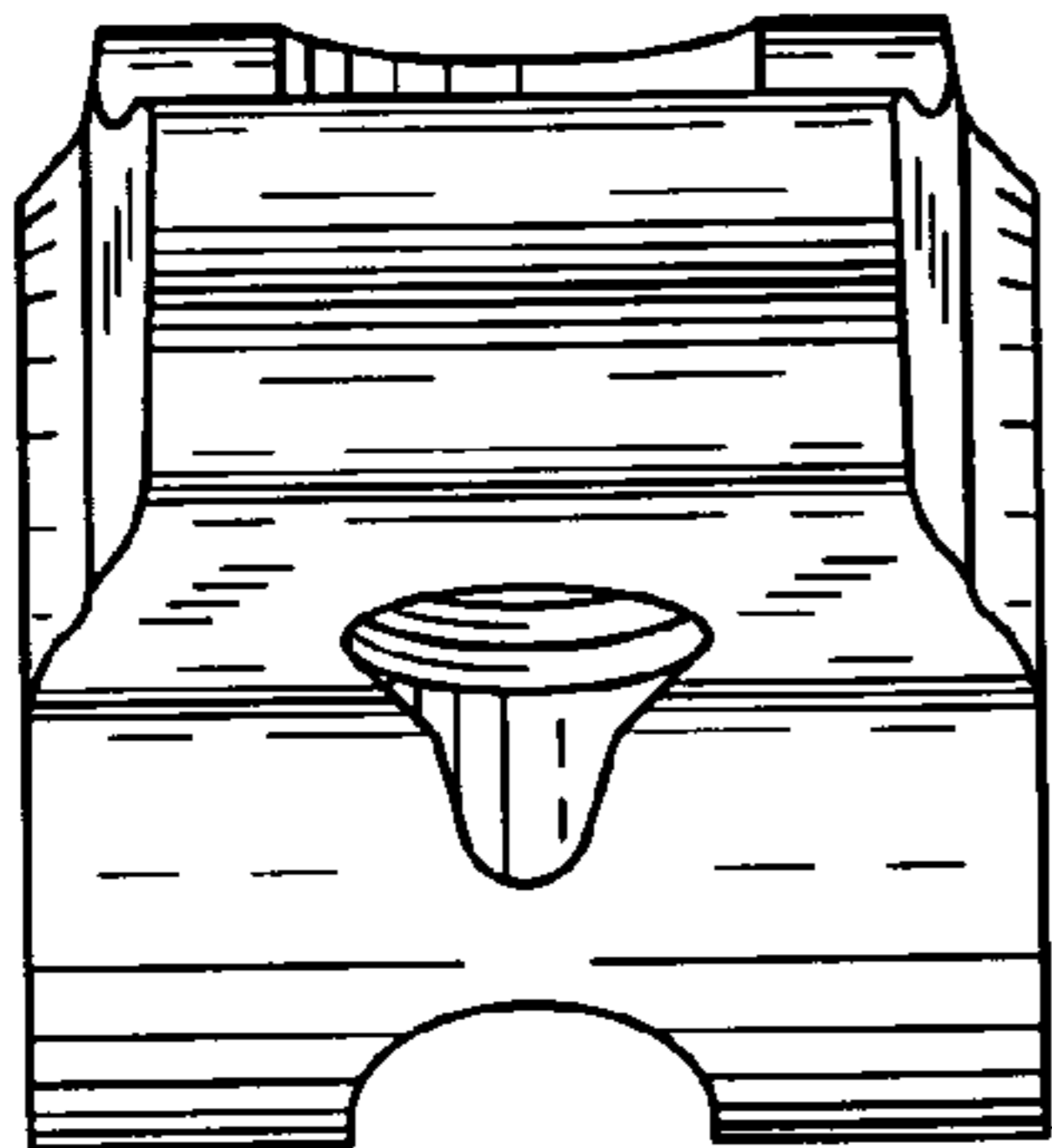


FIG. 3

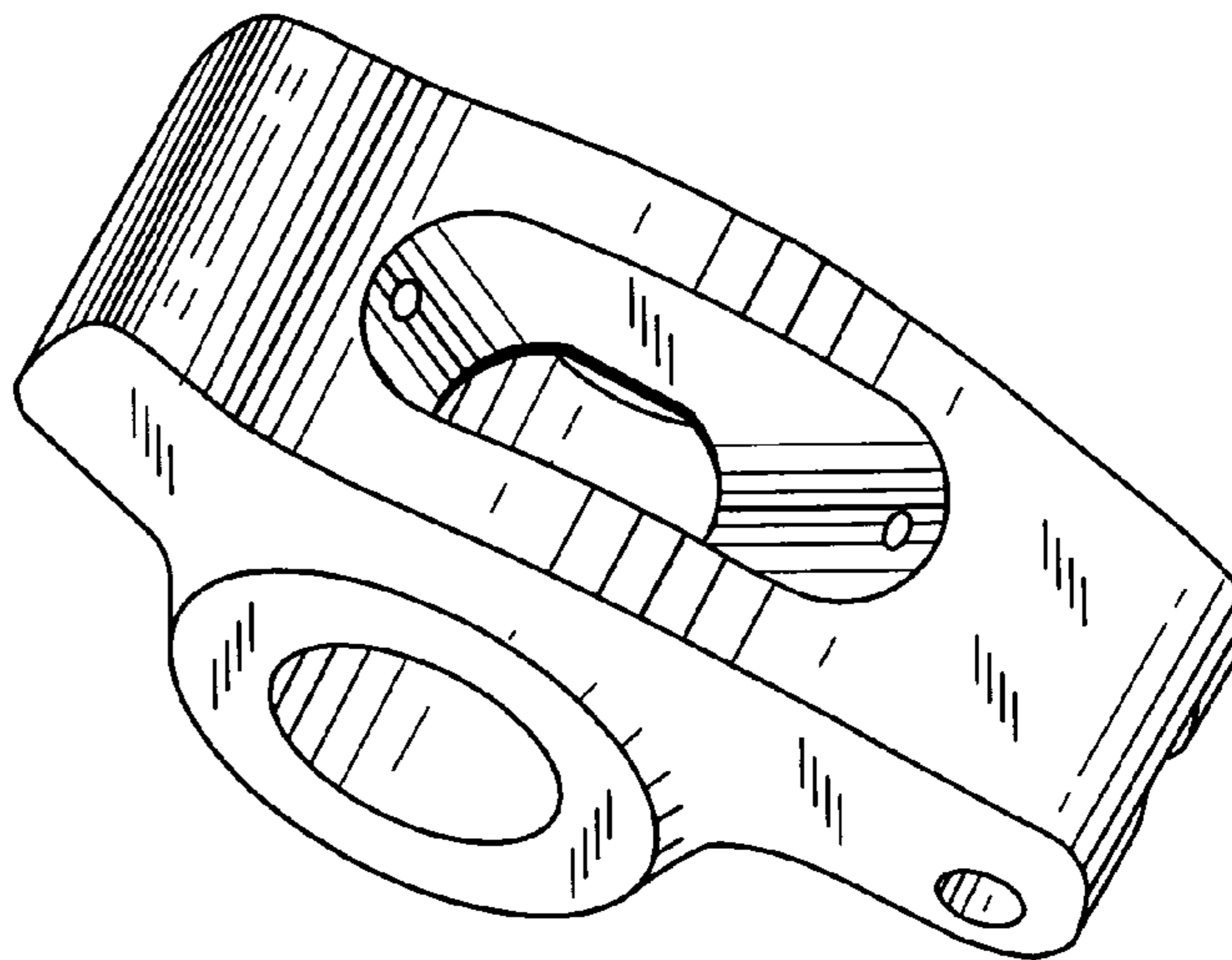


FIG. 4

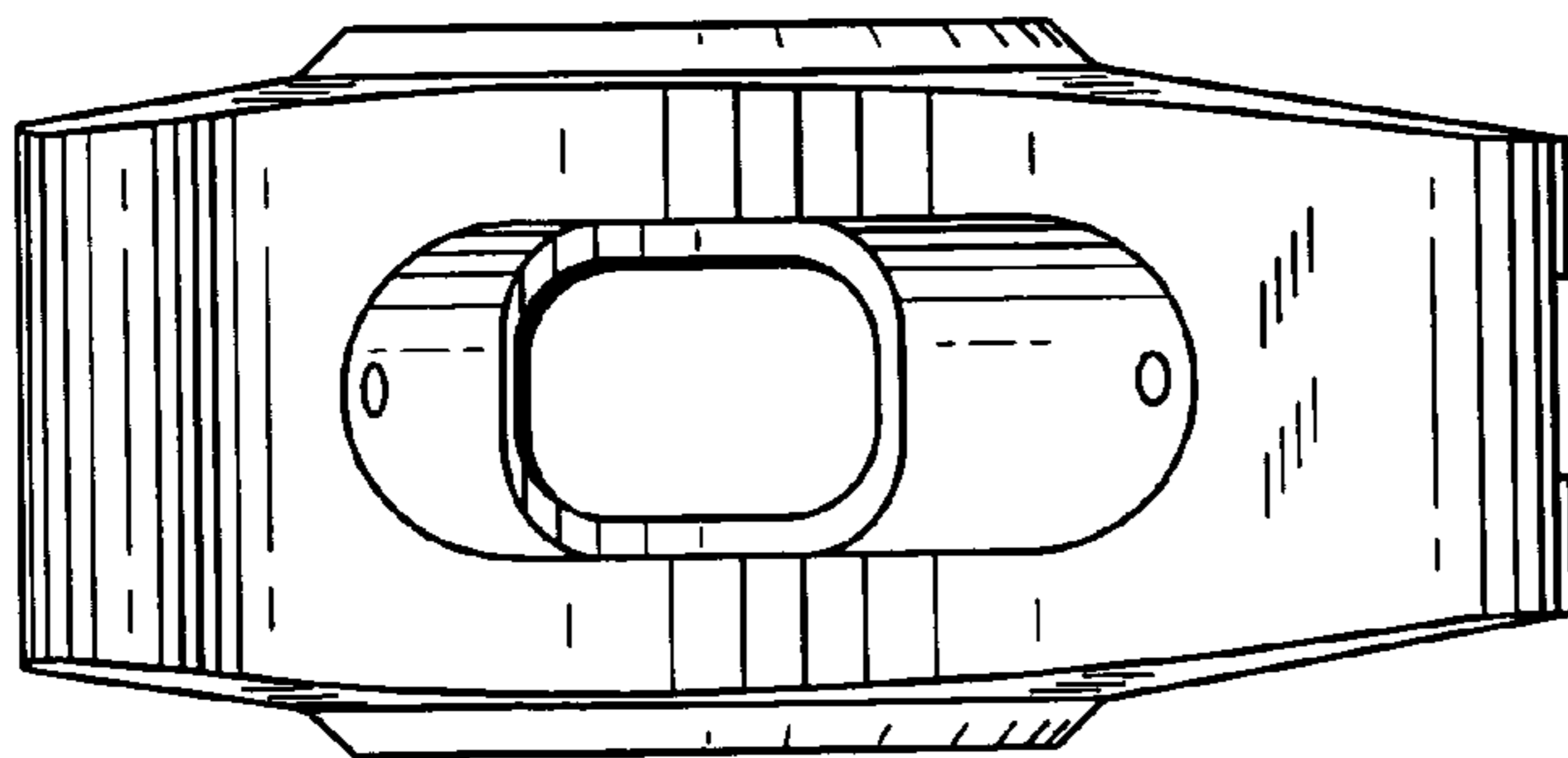


FIG. 5

FIG. 6

