



US00D587275S

(12) **United States Design Patent**
Inata et al.

(10) **Patent No.:** **US D587,275 S**

(45) **Date of Patent:** **** Feb. 24, 2009**

(54) **DISC CARTRIDGE**

(75) Inventors: **Masahiro Inata**, Kadoma (JP);
Teruyuki Takizawa, Kadoma (JP);
Kozo Ezawa, Kadoma (JP); **Hironori Tomita**, Kadoma (JP)

(73) Assignee: **Panasonic Corporation**, Osaka (JP)

(**) Term: **14 Years**

(21) Appl. No.: **29/302,051**

(22) Filed: **Jan. 9, 2008**

(30) **Foreign Application Priority Data**

Oct. 12, 2007 (JP) 2007-027915

(51) **LOC (9) Cl.** **14-99**

(52) **U.S. Cl.** **D14/483; D14/435**

(58) **Field of Classification Search** D14/432,
D14/435-438, 474, 478-480, 483, 484, 217,
D14/260.1, 299; D21/324, 333, 443, 444;
360/131-135; 369/272.1, 274, 275.5, 280,
369/282, 283; 720/725, 734, 738, 740, 741
See application file for complete search history.

(56) **References Cited**

U.S. PATENT DOCUMENTS

- D378,518 S * 3/1997 Sumner et al. D14/479
- D408,801 S * 4/1999 Sumner et al. D14/478
- 6,021,029 A * 2/2000 Mamiya et al. 360/133
- D424,048 S * 5/2000 Iftikar et al. D14/435
- D450,053 S * 11/2001 Bush et al. D14/435
- D463,437 S * 9/2002 Bush et al. D14/435
- D473,874 S * 4/2003 Taniguchi et al. D14/435
- D474,184 S * 5/2003 Taniguchi et al. D14/435
- D475,059 S * 5/2003 Niitsu D14/478
- D487,095 S * 2/2004 Oka D14/483
- D494,600 S * 8/2004 Takamori et al. D14/478
- D494,981 S * 8/2004 Takamori et al. D14/478
- D501,479 S * 2/2005 Bang et al. D14/435
- D501,480 S * 2/2005 Bang et al. D14/435
- D501,661 S * 2/2005 Bang et al. D14/435

- 7,003,788 B2 * 2/2006 Shiomi et al. 720/738
- 7,010,800 B2 * 3/2006 Kobayashi et al. 720/727
- D522,522 S * 6/2006 Goto D14/478
- 7,103,901 B2 * 9/2006 Takizawa et al. 720/741
- 7,146,625 B2 * 12/2006 Eum et al. 720/742
- 7,249,364 B2 * 7/2007 Okazawa et al. 720/741
- 7,284,254 B2 * 10/2007 Obata et al. 720/741
- 7,343,612 B2 * 3/2008 Ohgi 720/738
- 7,343,613 B2 * 3/2008 Hashizume et al. 720/739

FOREIGN PATENT DOCUMENTS

JP D916979 1/1995

(Continued)

Primary Examiner—Cathron C Brooks

Assistant Examiner—Deanna Fluegeman

(74) *Attorney, Agent, or Firm*—Brinks Hofer Gilson & Lione

(57) **CLAIM**

We claim the ornamental design for a disc cartridge, as shown and described.

DESCRIPTION

FIG. 1 is a front perspective view of a disc cartridge of the present invention;

FIG. 2 is a rear perspective view thereof;

FIG. 3 is a front view thereof;

FIG. 4 is a rear view thereof;

FIG. 5 is a first side view thereof;

FIG. 6 is a second side view thereof;

FIG. 7 is a top view thereof;

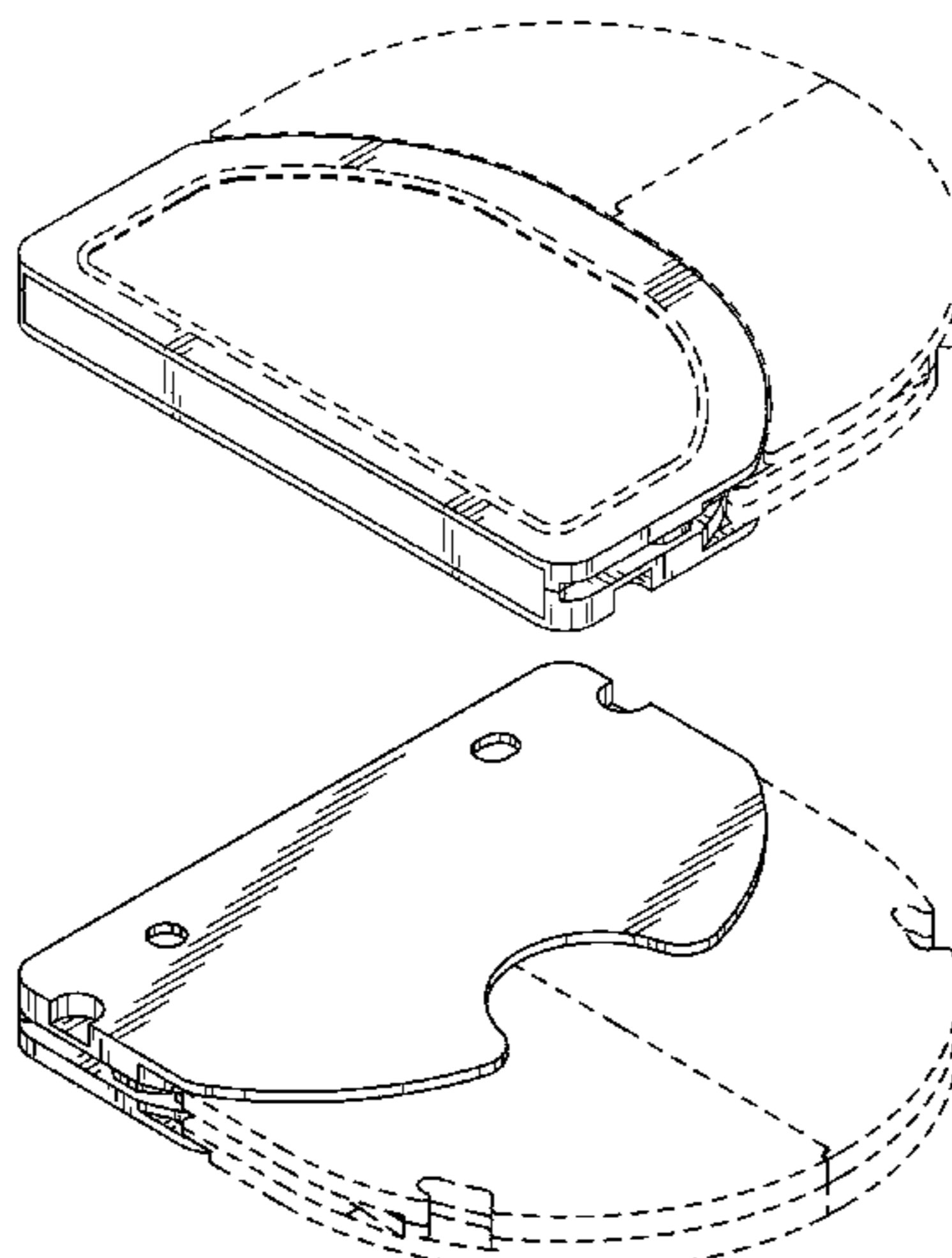
FIG. 8 is a bottom view thereof; and,

FIG. 9 is a front perspective view thereof shown in an opened position; and,

FIG. 10 is a rear perspective view thereof shown in an opened position.

The portions of the disc cartridge illustrated in broken lines form no part of the claimed design.

1 Claim, 10 Drawing Sheets



US D587,275 S

Page 2

FOREIGN PATENT DOCUMENTS					
			JP	D1212816	7/2004
			JP	D1229202	1/2005
			JP	D1229203	1/2005
			JP	D1229204	1/2005
			JP	D1229205	1/2005
			JP	D1229206	1/2005
			JP	D1229556	2/2005
			JP	D1278007	7/2006
			* cited by examiner		
JP	D1089722	10/2000			
JP	D1089798	10/2000			
JP	D1089799	10/2000			
JP	D1089800	10/2000			
JP	D1089801	10/2000			
JP	D1212507	7/2004			
JP	D1212813	7/2004			
JP	D1212814	7/2004			
JP	D1212815	7/2004			

FIG. 1

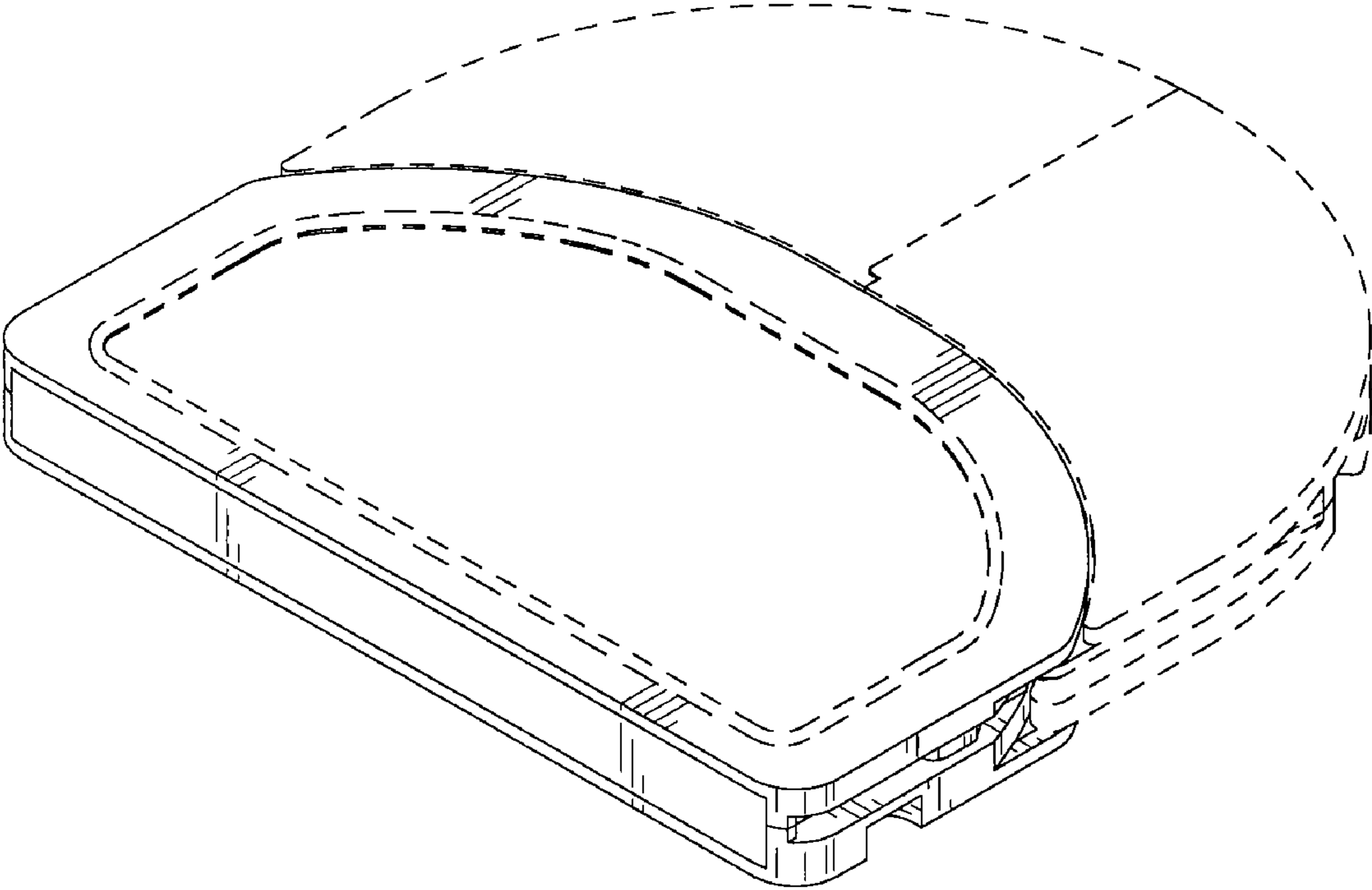


FIG.2

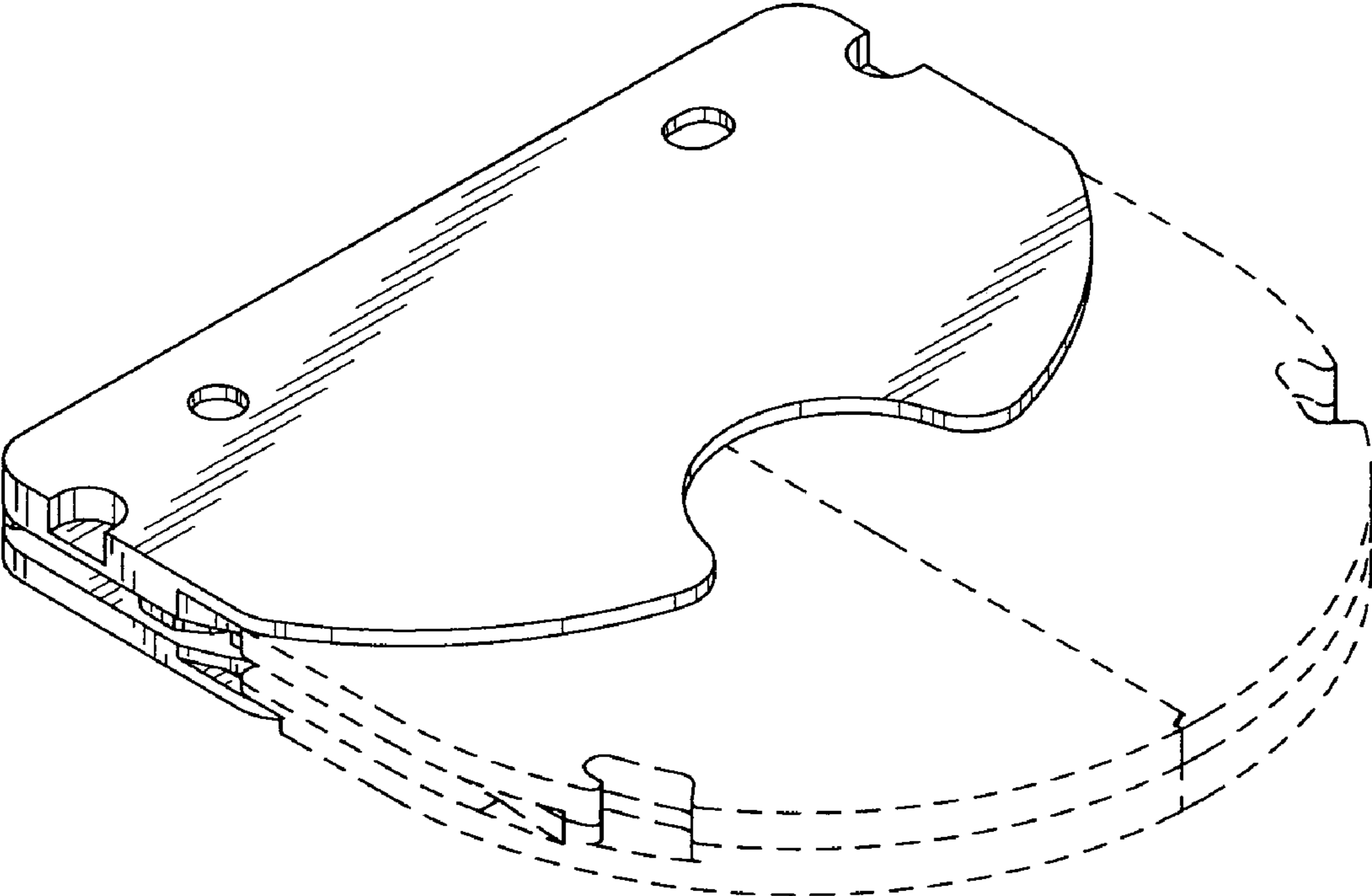


FIG.3

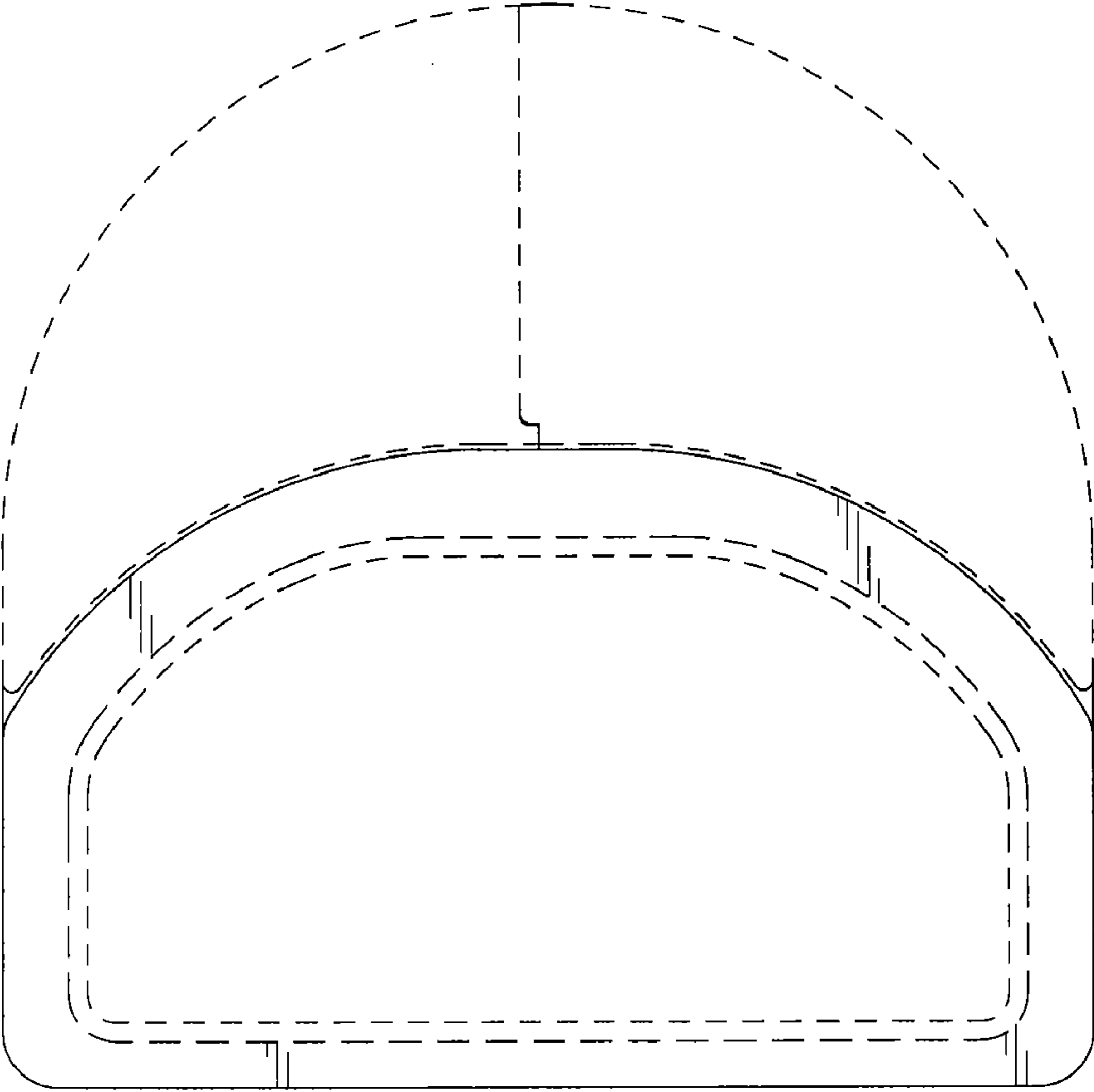


FIG.4

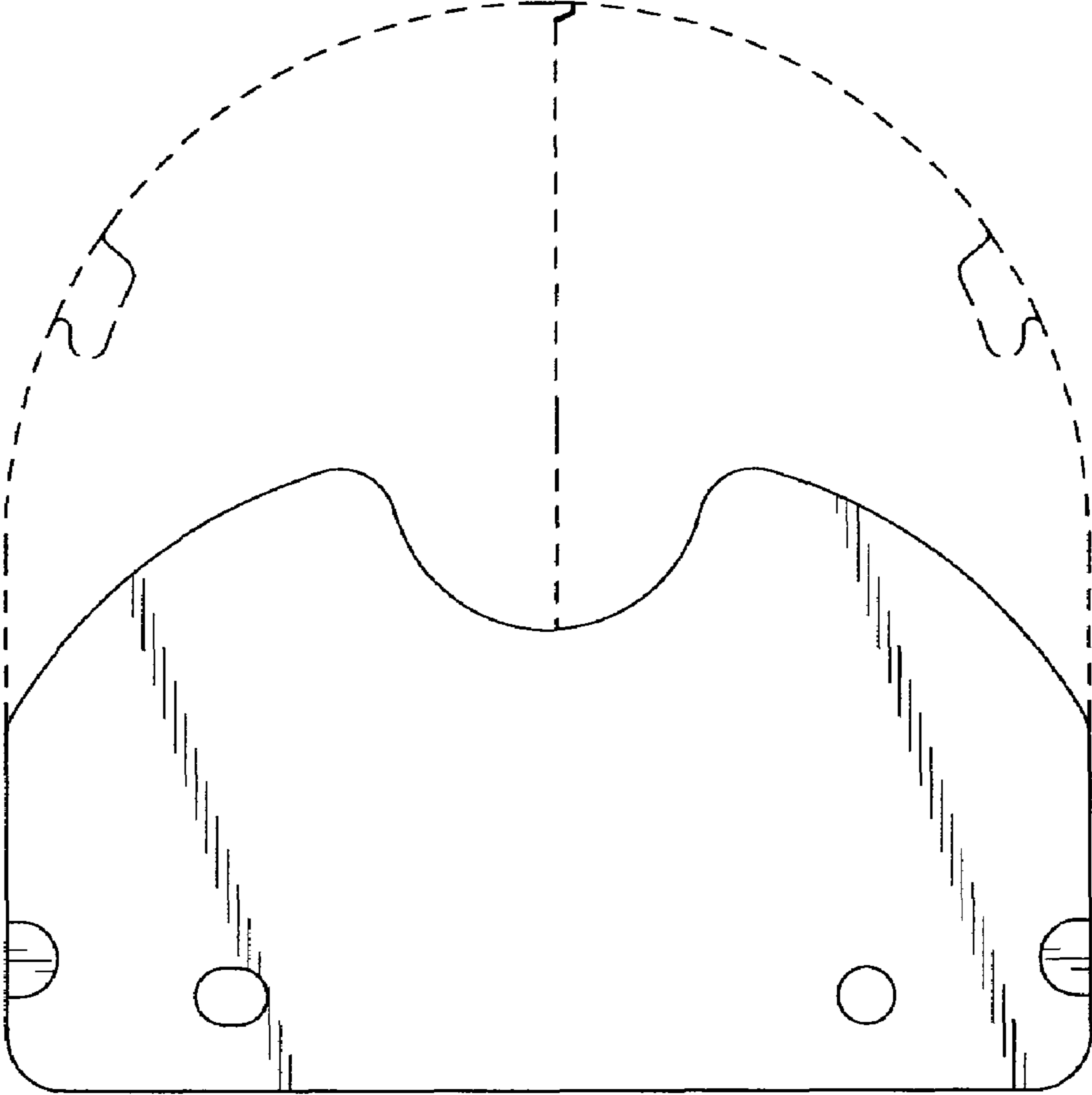


FIG.5

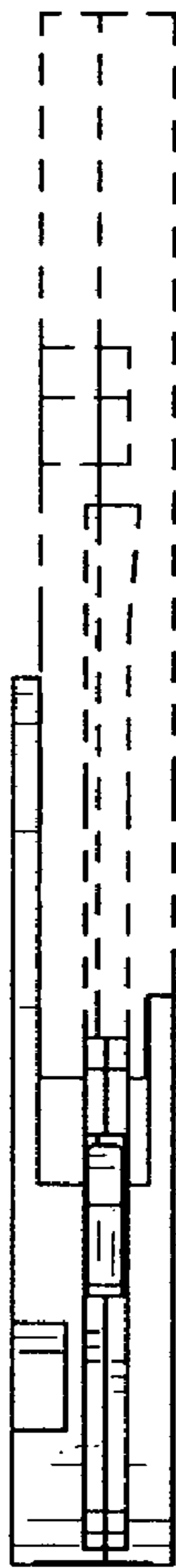


FIG. 6



FIG.7

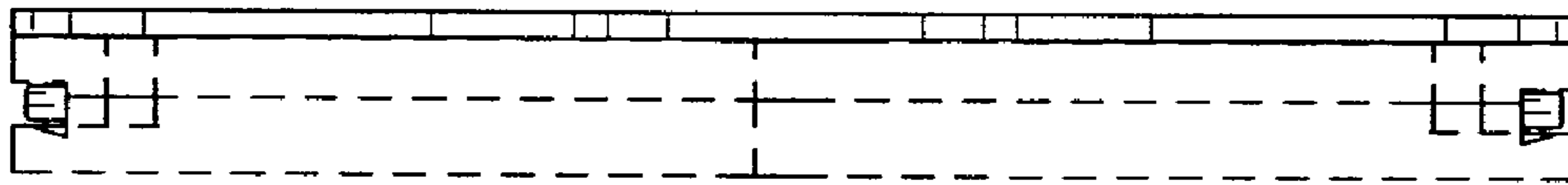


FIG. 8

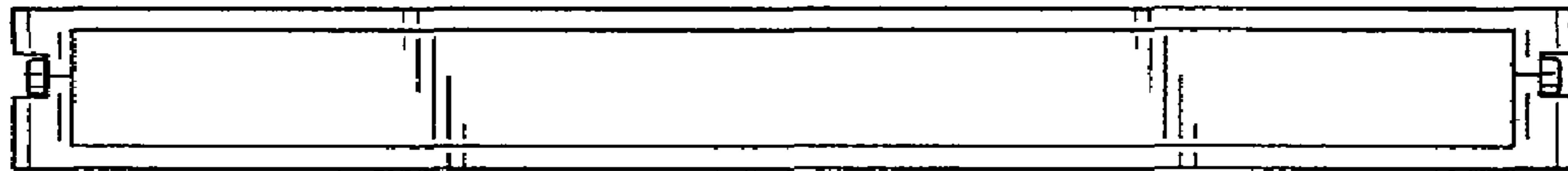


FIG.9

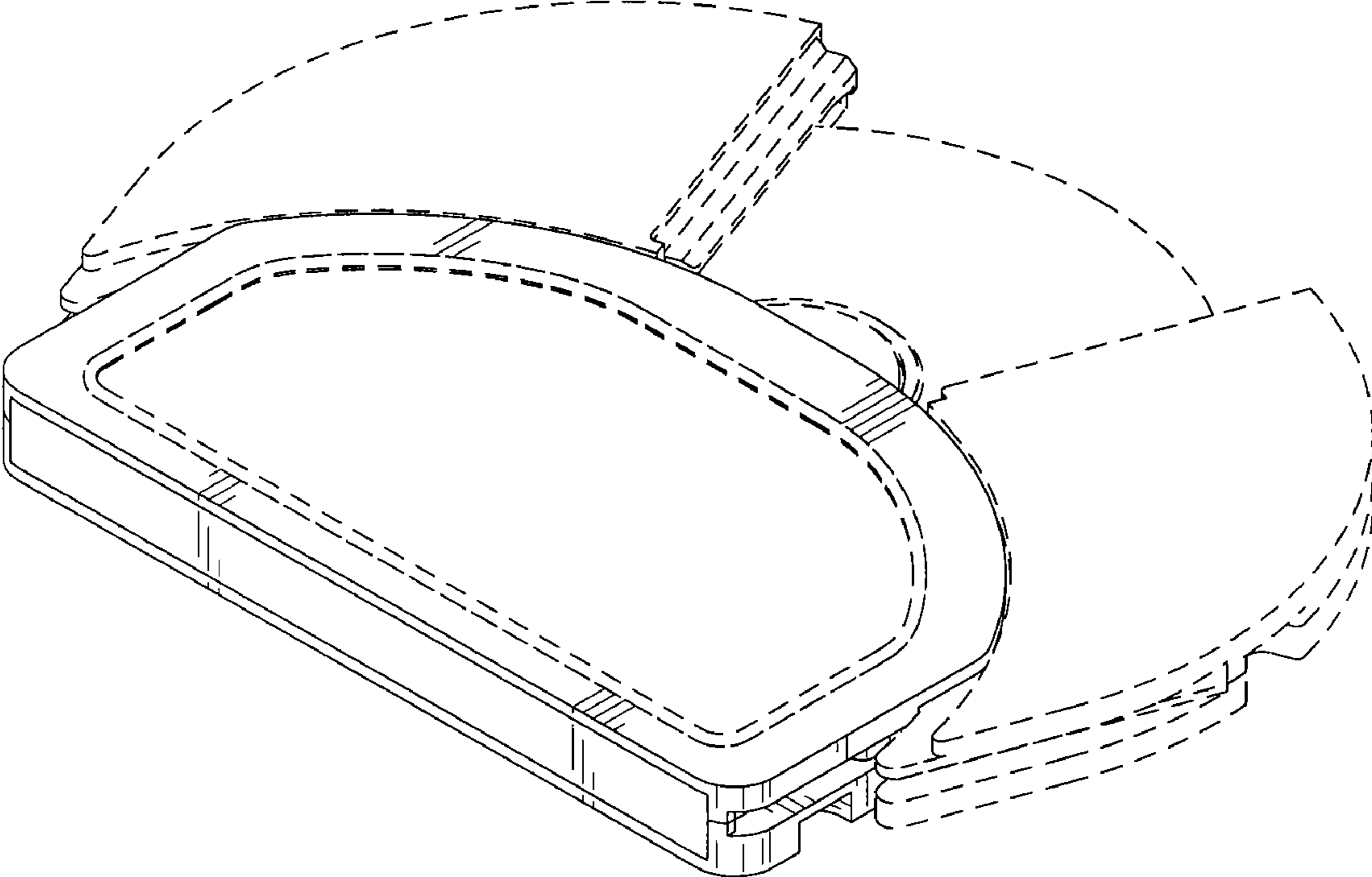


FIG.10

