



US00D587274S

(12) **United States Design Patent**
Inata et al.

(10) **Patent No.:** **US D587,274 S**
(45) **Date of Patent:** **** Feb. 24, 2009**

(54) **DISC CARTRIDGE**

(75) Inventors: **Masahiro Inata**, Kadoma (JP);
Teruyuki Takizawa, Kadoma (JP);
Kozo Ezawa, Kadoma (JP); **Hironori Tomita**, Kadoma (JP)

(73) Assignee: **Panasonic Corporation**, Osaka (JP)

(**) Term: **14 Years**

(21) Appl. No.: **29/299,485**

(22) Filed: **Dec. 27, 2007**

(30) **Foreign Application Priority Data**

Oct. 12, 2007 (JP) 2007-027917

(51) **LOC (9) Cl.** **14-99**

(52) **U.S. Cl.** **D14/483; D14/435**

(58) **Field of Classification Search** D14/432,
D14/435-438, 474, 478-480, 483, 484, 217,
D14/260.1, 299; D21/324, 333, 443, 444;
360/131-135; 369/272.1, 274, 275.5, 280,
369/282, 283; 720/725, 734, 738, 740, 741
See application file for complete search history.

(56) **References Cited**

U.S. PATENT DOCUMENTS

D378,518 S * 3/1997 Sumner et al. D14/479
D408,801 S * 4/1999 Sumner et al. D14/478
6,021,029 A * 2/2000 Mamiya et al. 360/133

(Continued)

FOREIGN PATENT DOCUMENTS

JP D916979 1/1995
JP D1089722 10/2000
JP D1089798 10/2000
JP D1089799 10/2000
JP D1089800 10/2000
JP D1089801 10/2000

JP D1212507 7/2004
JP D1212813 7/2004
JP D1212814 7/2004
JP D1212815 7/2004
JP D1212816 7/2004
JP D1229202 1/2005
JP D1229203 1/2005
JP D1229204 1/2005
JP D1229205 1/2005
JP D1229206 1/2005
JP D1229556 2/2005
JP D1278007 7/2006

Primary Examiner—Cathron C Brooks

Assistant Examiner—Deanna Fluegeman

(74) *Attorney, Agent, or Firm*—Brinks Hofer Gilson & Lione

(57) **CLAIM**

The ornamental design for a disc cartridge, as shown and described.

DESCRIPTION

FIG. 1 is a front perspective view of a disc cartridge of the present invention;

FIG. 2 is a rear perspective view thereof;

FIG. 3 is a front view thereof;

FIG. 4 is a rear view thereof;

FIG. 5 is a first side view thereof;

FIG. 6 is a second side view thereof;

FIG. 7 is a top view thereof;

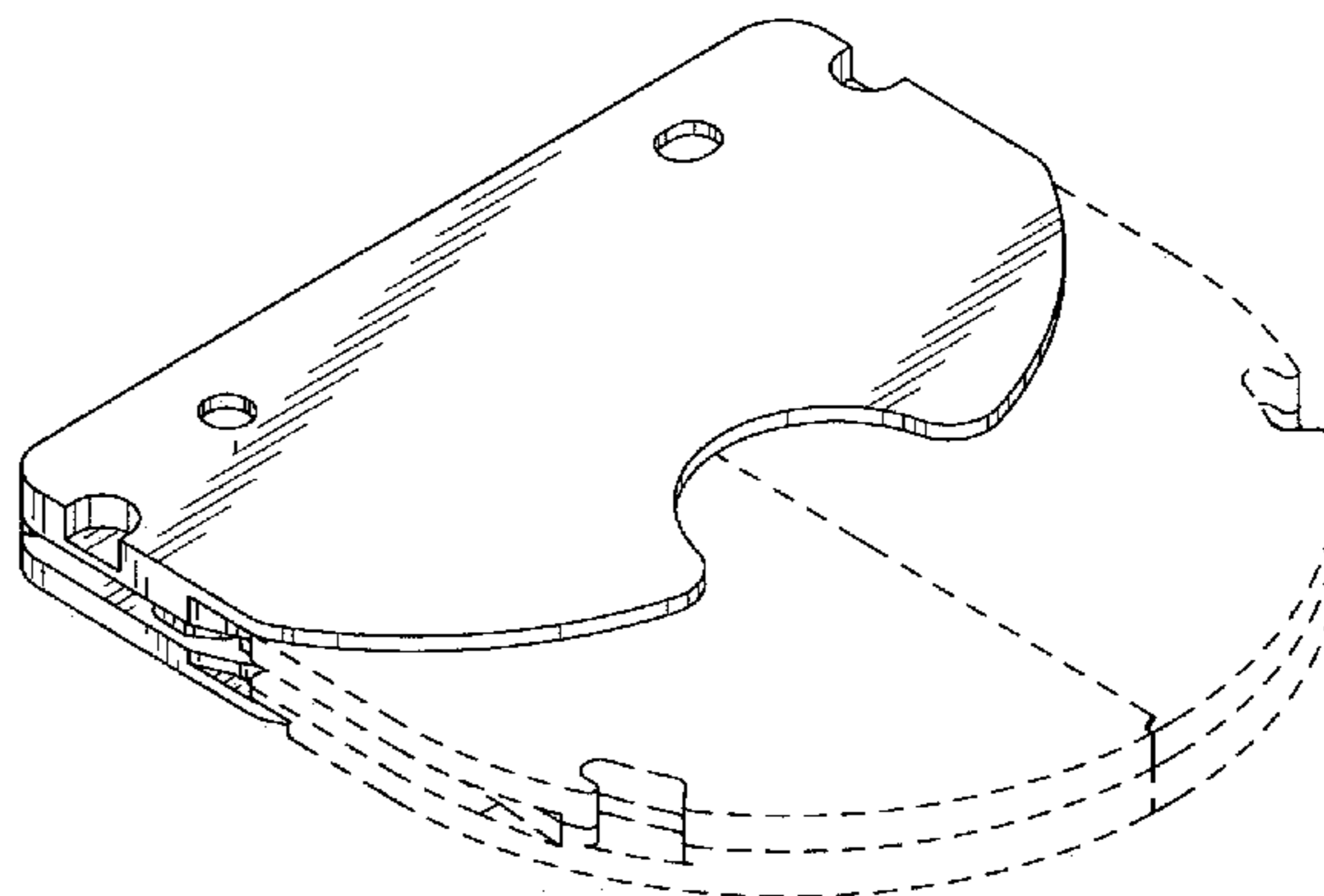
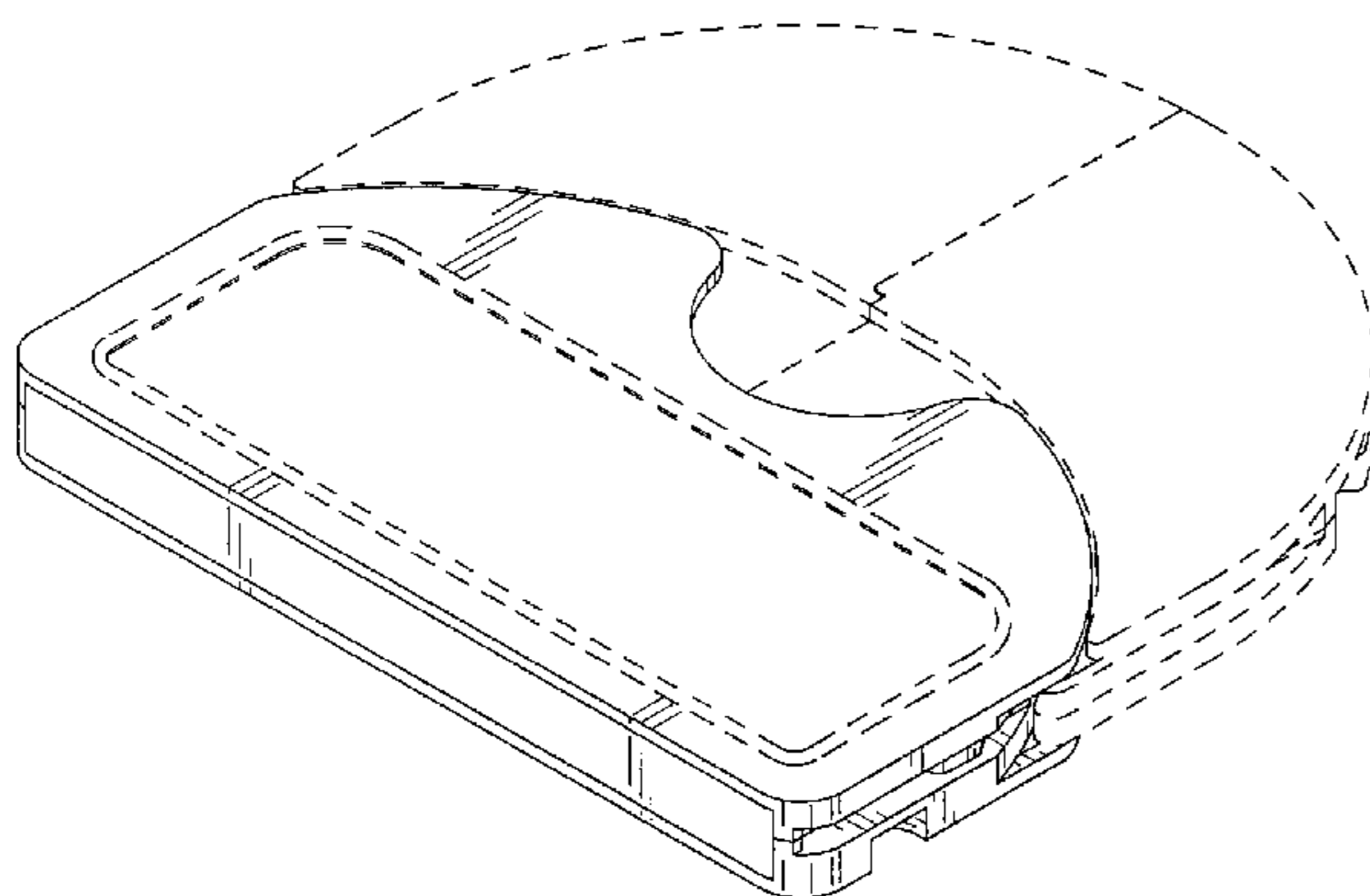
FIG. 8 is a bottom view thereof;

FIG. 9 is a front perspective view thereof shown in an opened position; and,

FIG. 10 is a rear perspective view thereof shown in an opened position.

The portions of the disc cartridge illustrated in broken lines form no part of the claimed design.

1 Claim, 10 Drawing Sheets



US D587,274 S

Page 2

U.S. PATENT DOCUMENTS

D424,048 S *	5/2000	Iftikar et al.	D14/435	D501,480 S *	2/2005	Bang et al.	D14/435
D450,053 S *	11/2001	Bush et al.	D14/435	D501,661 S *	2/2005	Bang et al.	D14/435
D463,437 S *	9/2002	Bush et al.	D14/435	7,003,788 B2 *	2/2006	Shiomi et al.	720/738
D473,874 S *	4/2003	Taniguchi et al.	D14/435	7,010,800 B2 *	3/2006	Kobayashi et al.	720/727
D474,184 S *	5/2003	Taniguchi et al.	D14/435	D522,522 S *	6/2006	Goto	D14/478
D475,059 S *	5/2003	Niitsu	D14/478	7,103,901 B2 *	9/2006	Takizawa et al.	720/741
D487,095 S *	2/2004	Oka	D14/483	7,146,625 B2 *	12/2006	Eum et al.	720/742
D494,600 S *	8/2004	Takamori et al.	D14/478	7,249,364 B2 *	7/2007	Okazawa et al.	720/741
D494,981 S *	8/2004	Takamori et al.	D14/478	7,284,254 B2 *	10/2007	Obata et al.	720/741
D501,479 S *	2/2005	Bang et al.	D14/435	7,343,612 B2 *	3/2008	Ohgi	720/738
				7,343,613 B2 *	3/2008	Hashizume et al.	720/739

* cited by examiner

FIG. 1

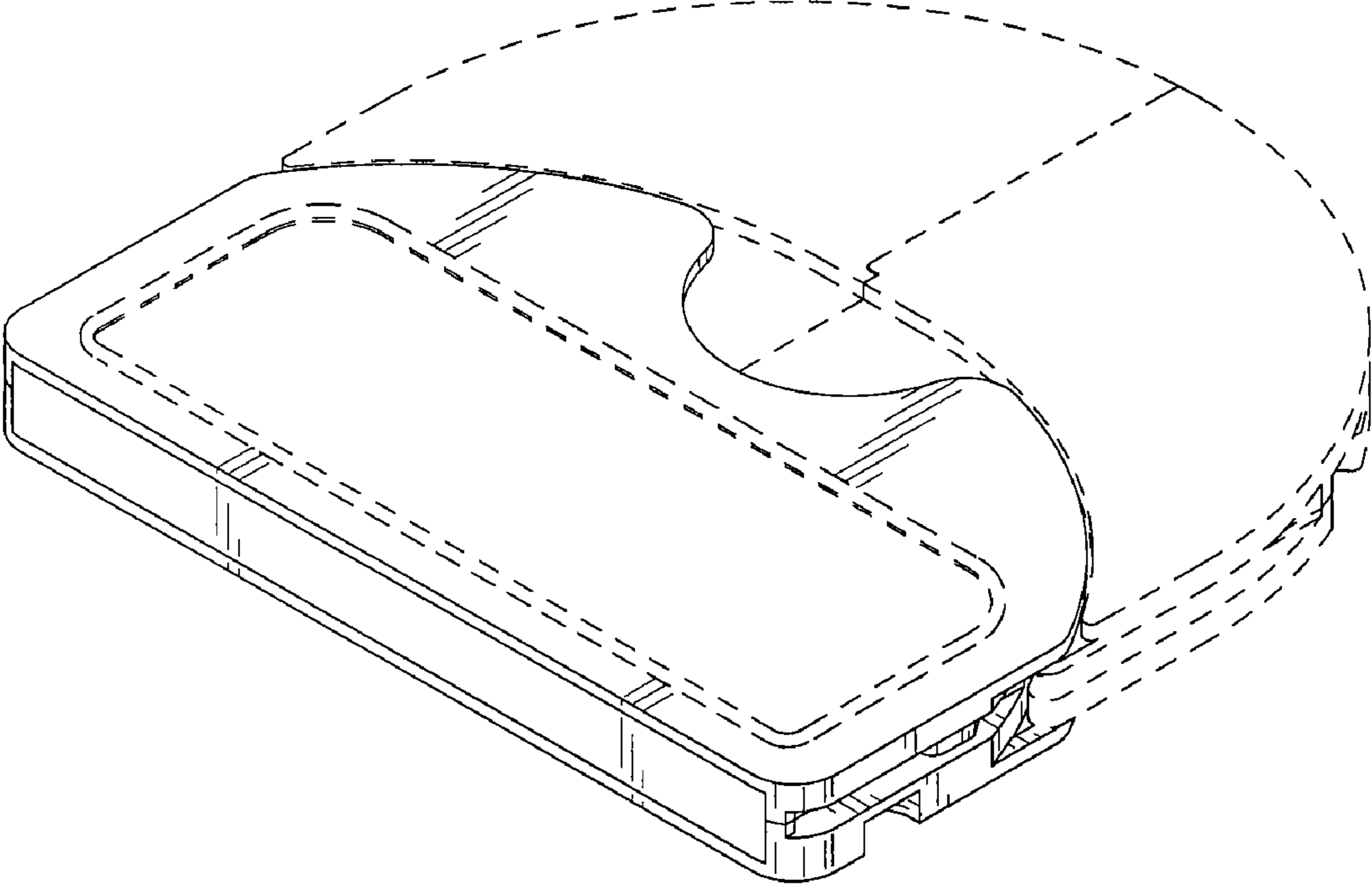


FIG.2

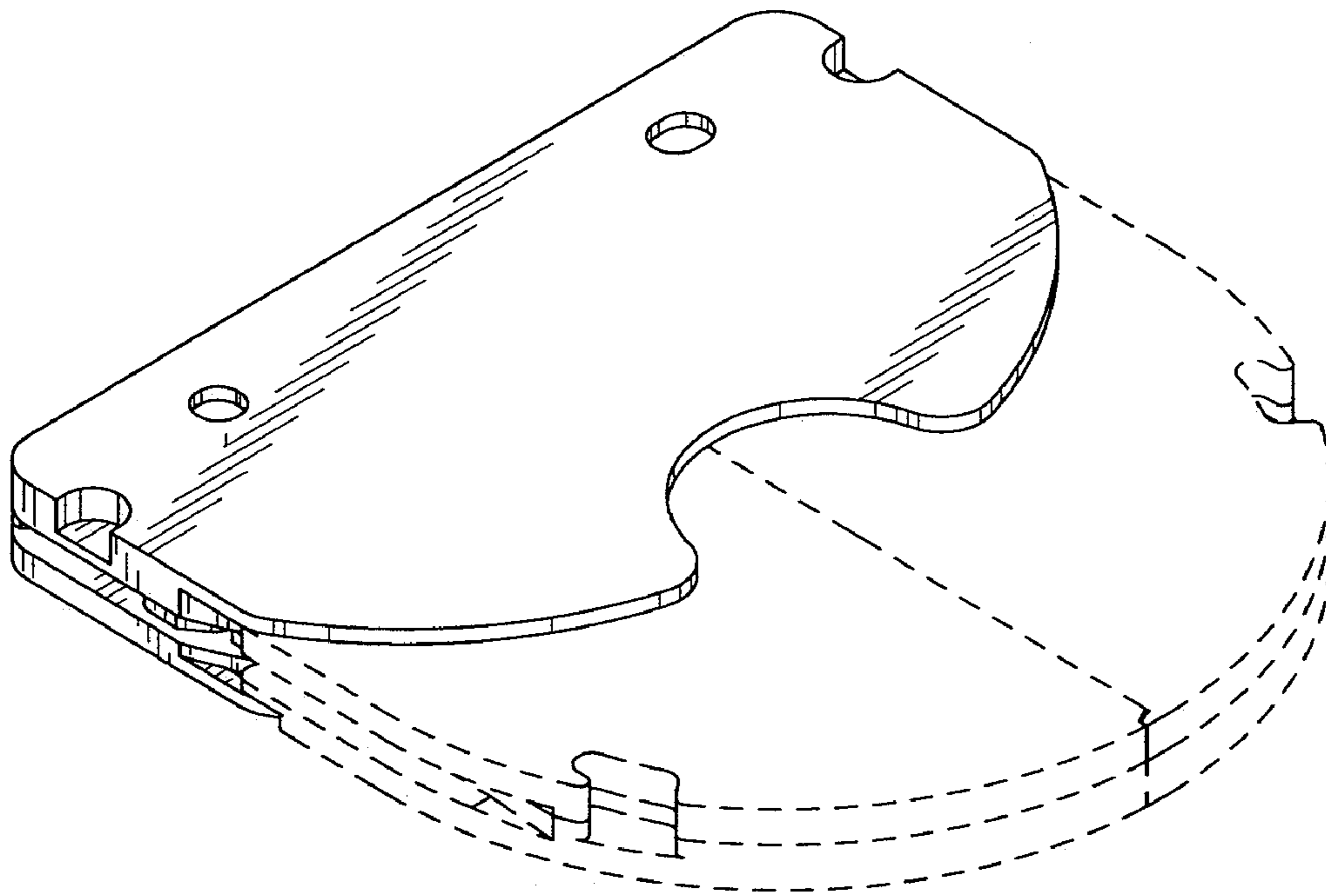


FIG.3

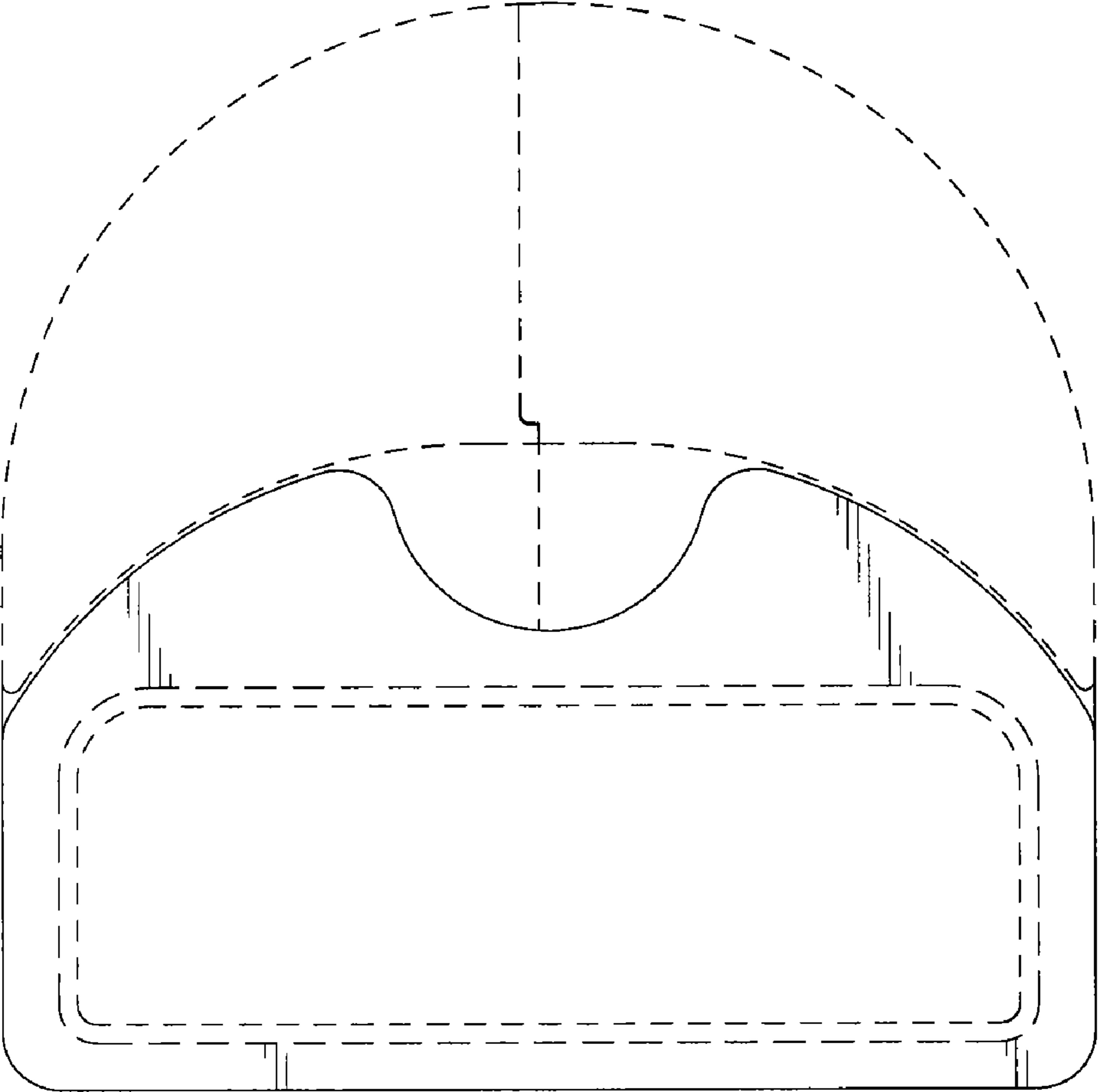


FIG.4

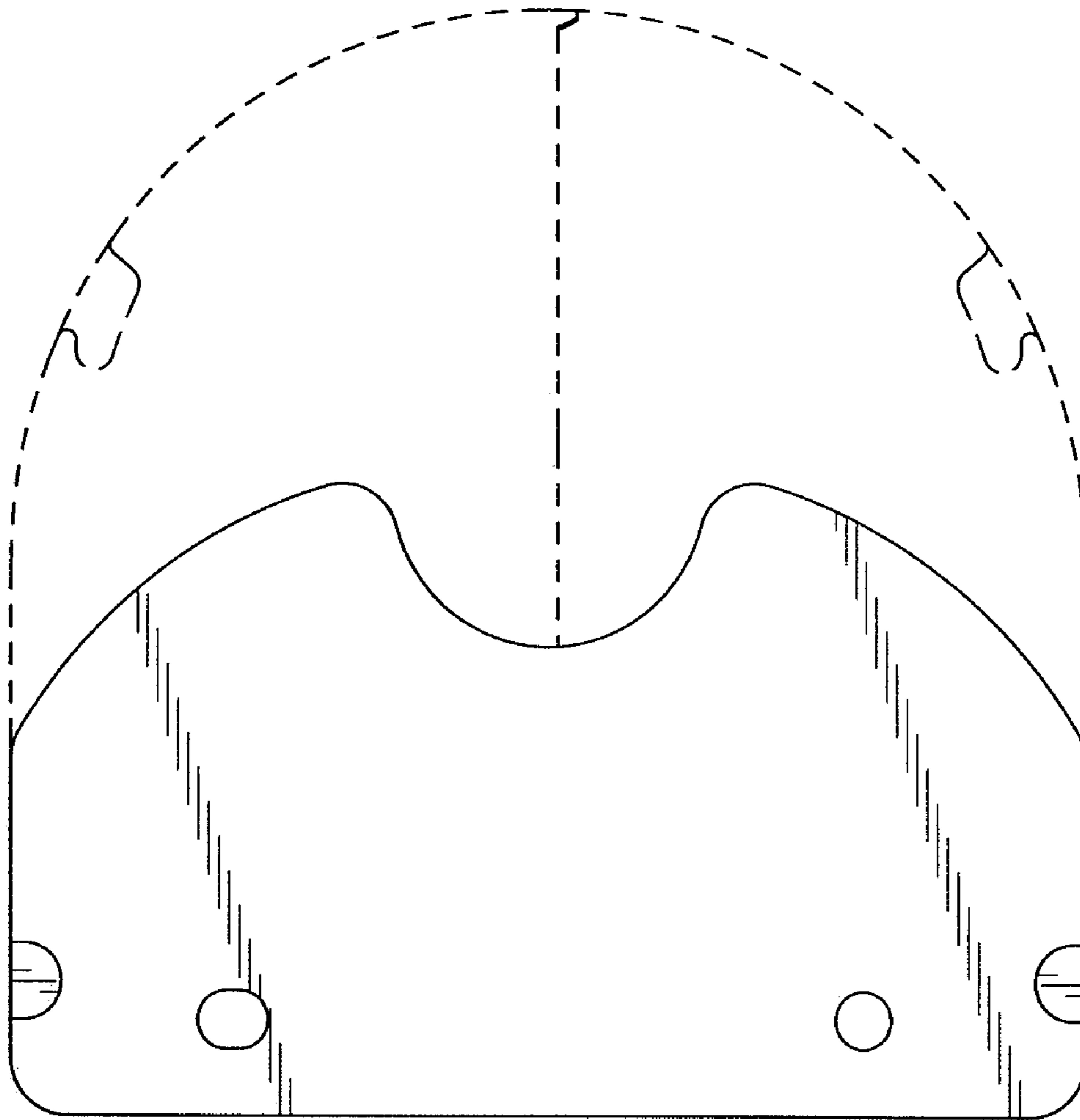


FIG. 5

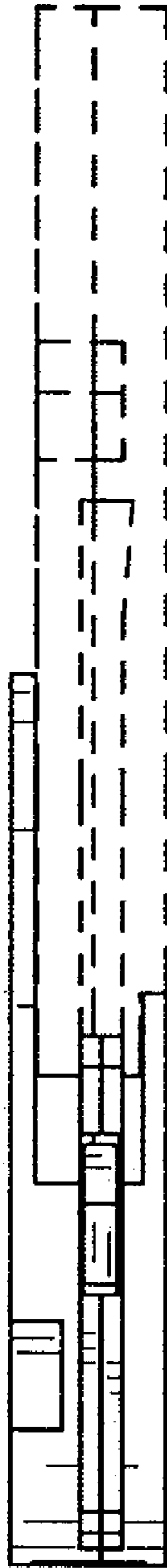


FIG. 6



FIG.7

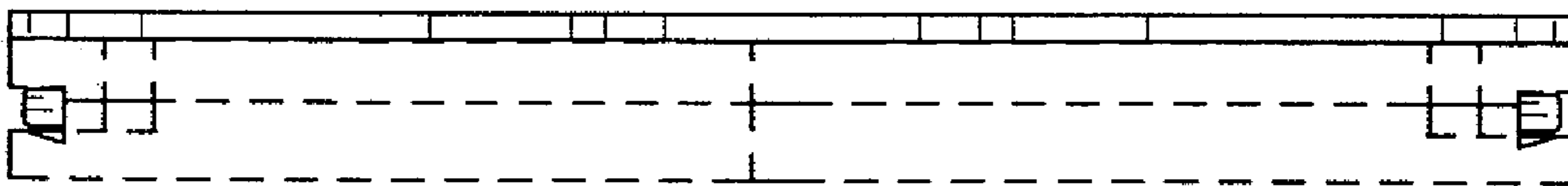


FIG. 8

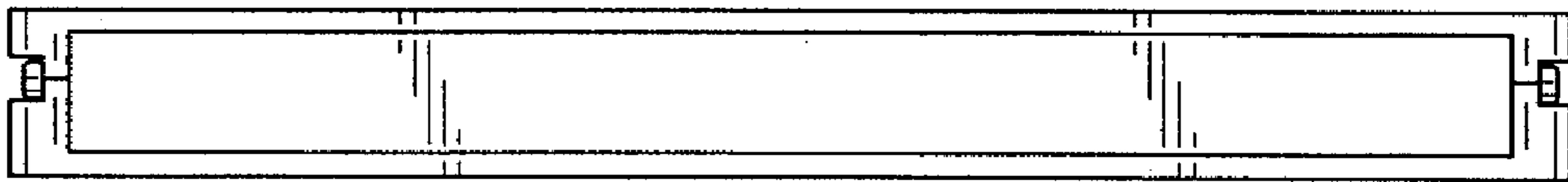


FIG.9

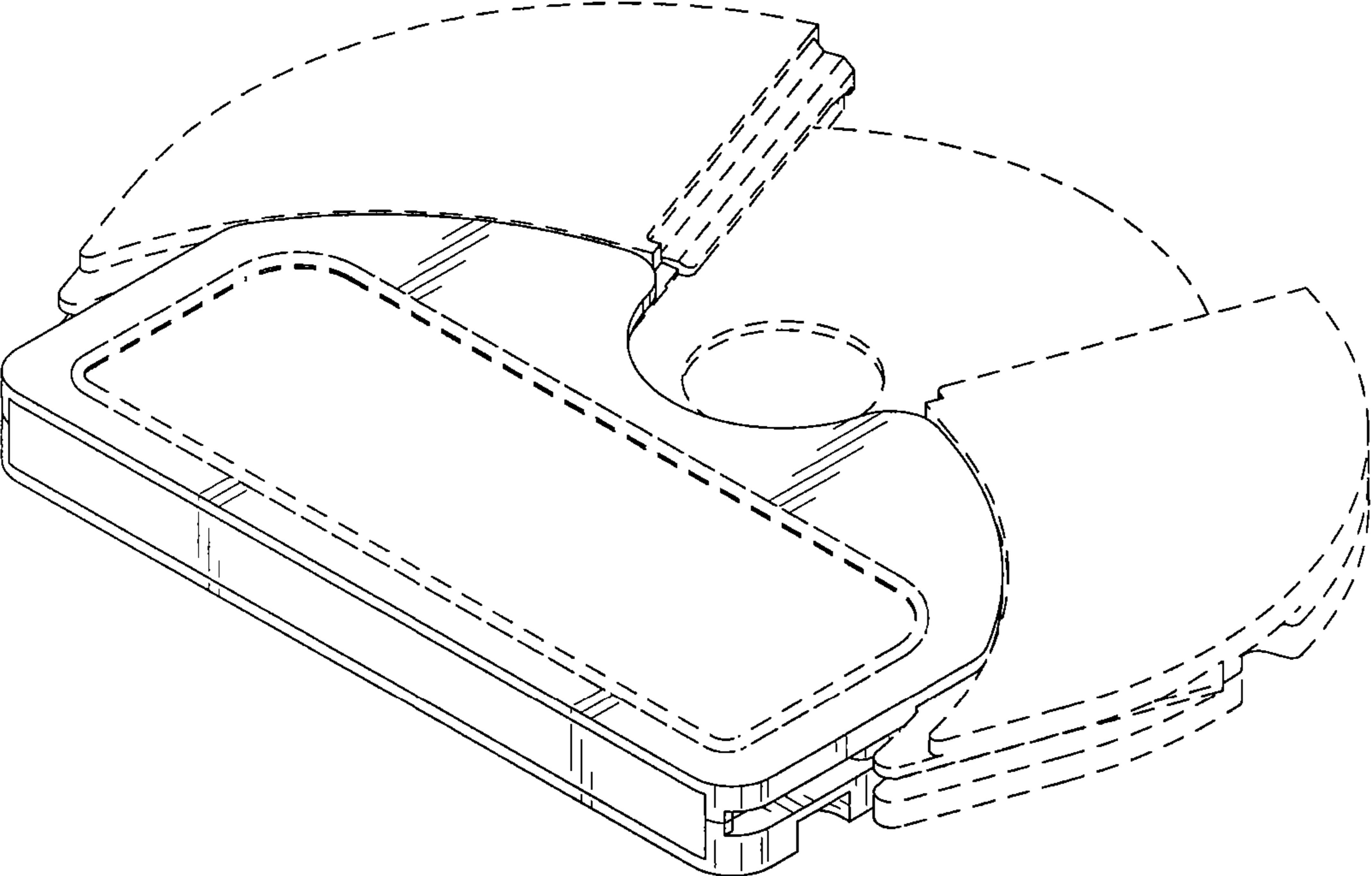


FIG.10

