



US00D587272S

(12) **United States Design Patent**  
**Morrow et al.**

(10) **Patent No.:** **US D587,272 S**

(45) **Date of Patent:** **\*\* Feb. 24, 2009**

(54) **MONITOR FRAME AND SPEAKER CONSOLE**

(75) Inventors: **James David Morrow**, Oak Park, IL (US); **Alisa Elaine Kober**, Arlington Heights, IL (US)

(73) Assignee: **Cosmodog, Ltd.**, Chicago, IL (US)

(\*\*) Term: **14 Years**

(21) Appl. No.: **29/247,671**

(22) Filed: **Jun. 30, 2006**

(51) **LOC (9) Cl.** ..... **14-02**

(52) **U.S. Cl.** ..... **D14/448**; D21/329; D21/369

(58) **Field of Classification Search** ..... D14/302–307, D14/130, 146, 371, 900, 127, 129; D13/163; D20/10; D21/324, 325, 329, 332, 785; D99/28; D6/396; 194/205, 206; 361/680–687; 312/198  
See application file for complete search history.

(56) **References Cited**

**U.S. PATENT DOCUMENTS**

D184,996 S *	4/1959	Goldstein et al. ....	D14/305
D335,310 S *	5/1993	Kurnow et al. ....	D20/10
D354,485 S *	1/1995	Maeno et al. ....	D14/129
D359,311 S *	6/1995	Stangarone ....	D20/10
D462,957 S *	9/2002	Ekelund ....	D14/336
D493,452 S *	7/2004	Devane et al. ....	D14/307
D494,970 S *	8/2004	Chen ....	D14/371
D496,661 S *	9/2004	Liu ....	D14/371
D498,755 S *	11/2004	Chen ....	D14/371
D535,991 S *	1/2007	Chiu ....	D14/371
D537,440 S *	2/2007	Esplo ....	D14/307
D551,302 S *	9/2007	Breslow et al. ....	D21/324

**OTHER PUBLICATIONS**

“Model 4243, The Philco ‘Holiday’, 1958”, <<http://www.mzstv.com/holiday.html>>, One page.

“Model 4654, The Philco ‘Pedestal’, 1958”, <<http://www.mzstv.com/pedestal.html>>, One page.

“Model 4710, The Philco ‘Penthouse’, 1958”, <<http://www.mzstv.com/tandem.html>>, One page.

“Model 3410, The Philco ‘Princess’, 1959”, <<http://www.mzstv.com/princess.html>>, One page.

“Model 4730, The Philco ‘Continental’, 1960”, <<http://www.mzstv.com/continental.html>>, One page.

“What happened to Philco?”, <<http://www.mzstv.com/philco.html>>, One page.

“Trackball Mounting Kits”, <<http://www.happcontrols.com/trackballs/55110100.htm>>, Two pages.

Brunswick Scorer’s Table.

Bowling Lane Markings.

\* cited by examiner

*Primary Examiner*—Cathron C Brooks

*Assistant Examiner*—Deanna Fluegeman

(74) *Attorney, Agent, or Firm*—Banner & Witcoff, Ltd.

(57) **CLAIM**

The ornamental design for a monitor frame and speaker console, as shown and described.

**DESCRIPTION**

FIG. 1 is a perspective view of a monitor frame and speaker console showing the new design;

FIG. 2 is a front view thereof;

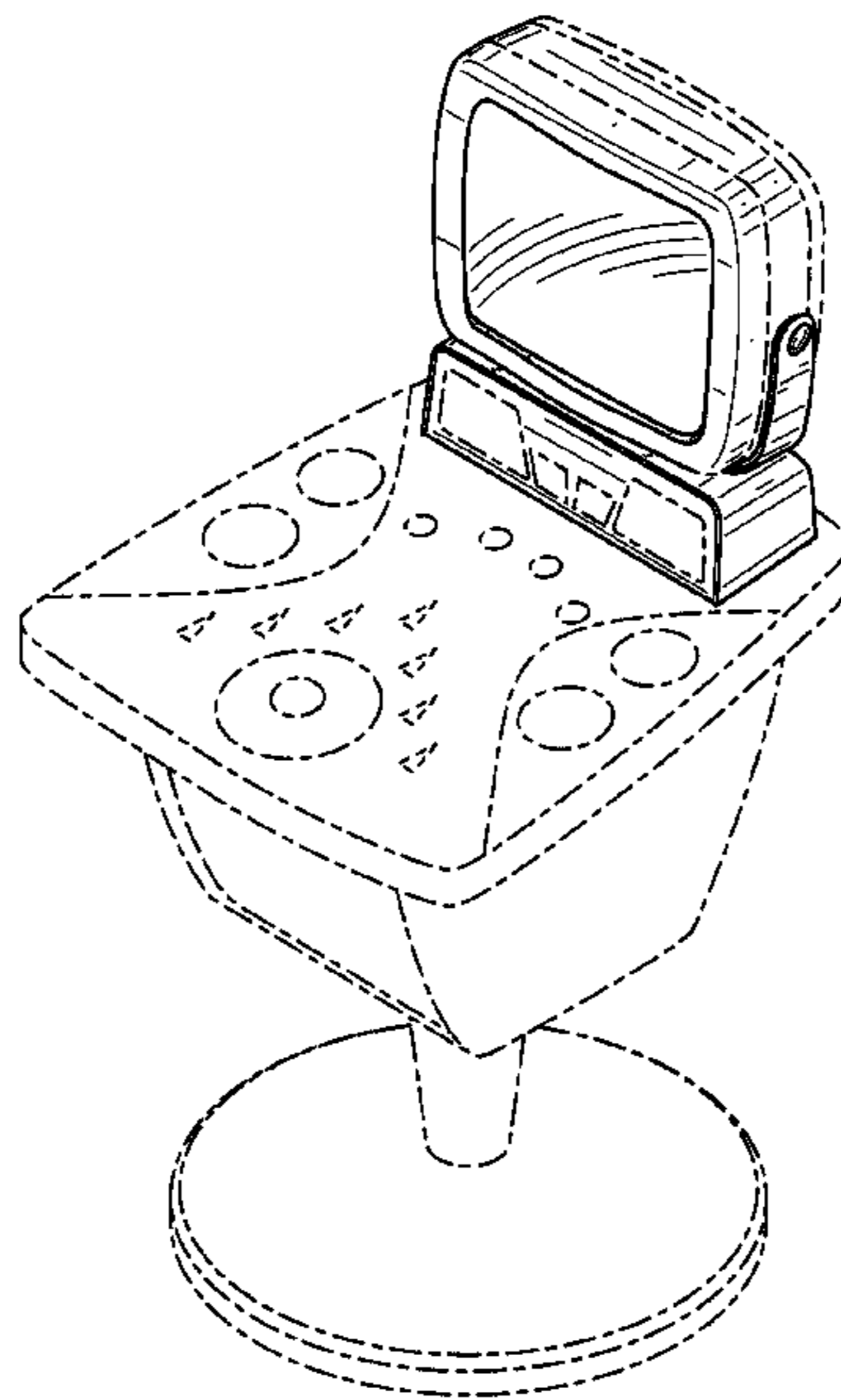
FIG. 3 is a top plan view thereof;

FIG. 4 is a left side elevational view thereof; and,

FIG. 5 is a right side elevational view thereof.

The four broken line regions on the front of the console in FIGS. 1–2 are unclaimed areas. The remainder of the broken lines and the unshaded areas there within are for illustrative purposes only and form no part of the claimed design.

**1 Claim, 5 Drawing Sheets**



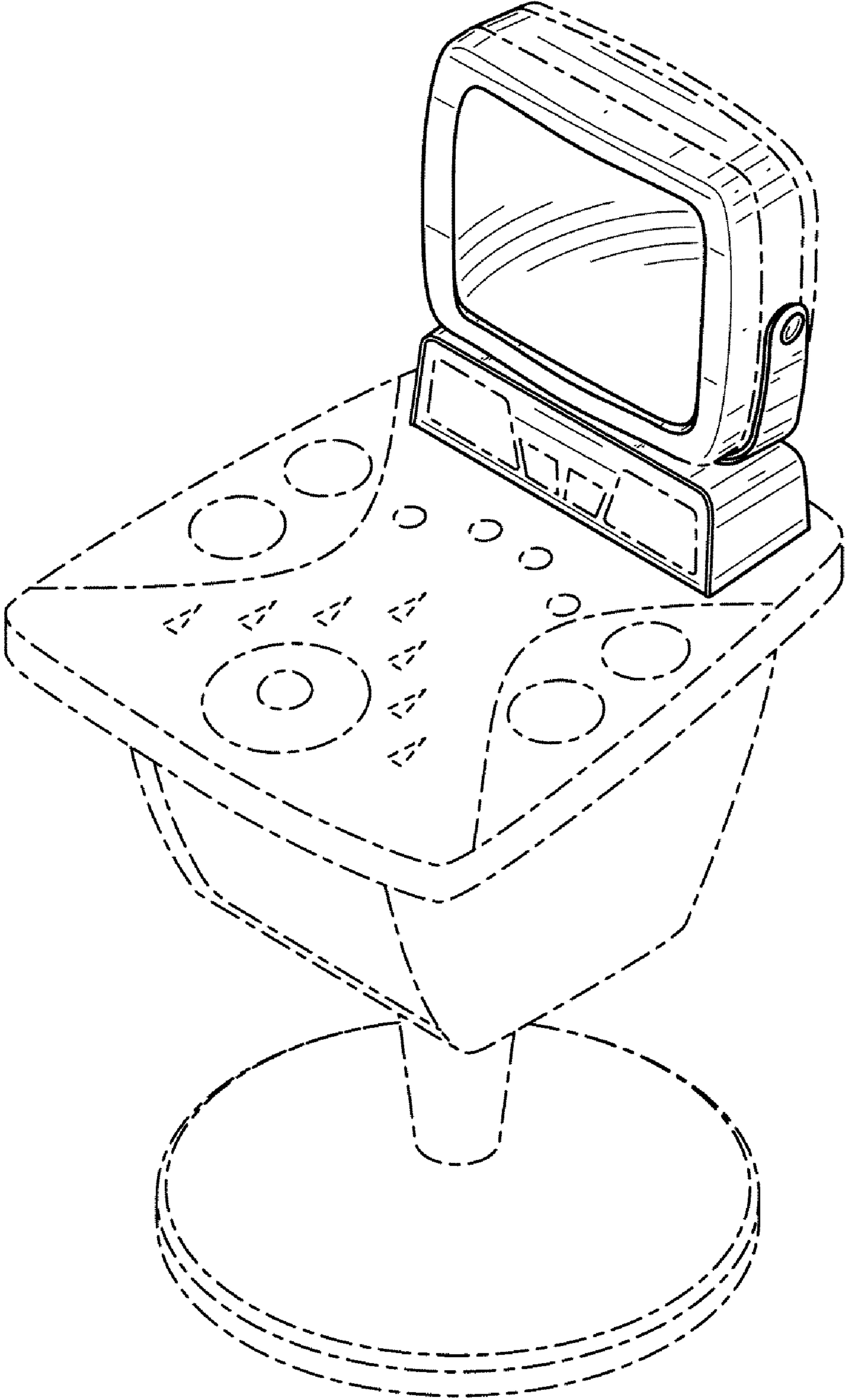


FIG. 1

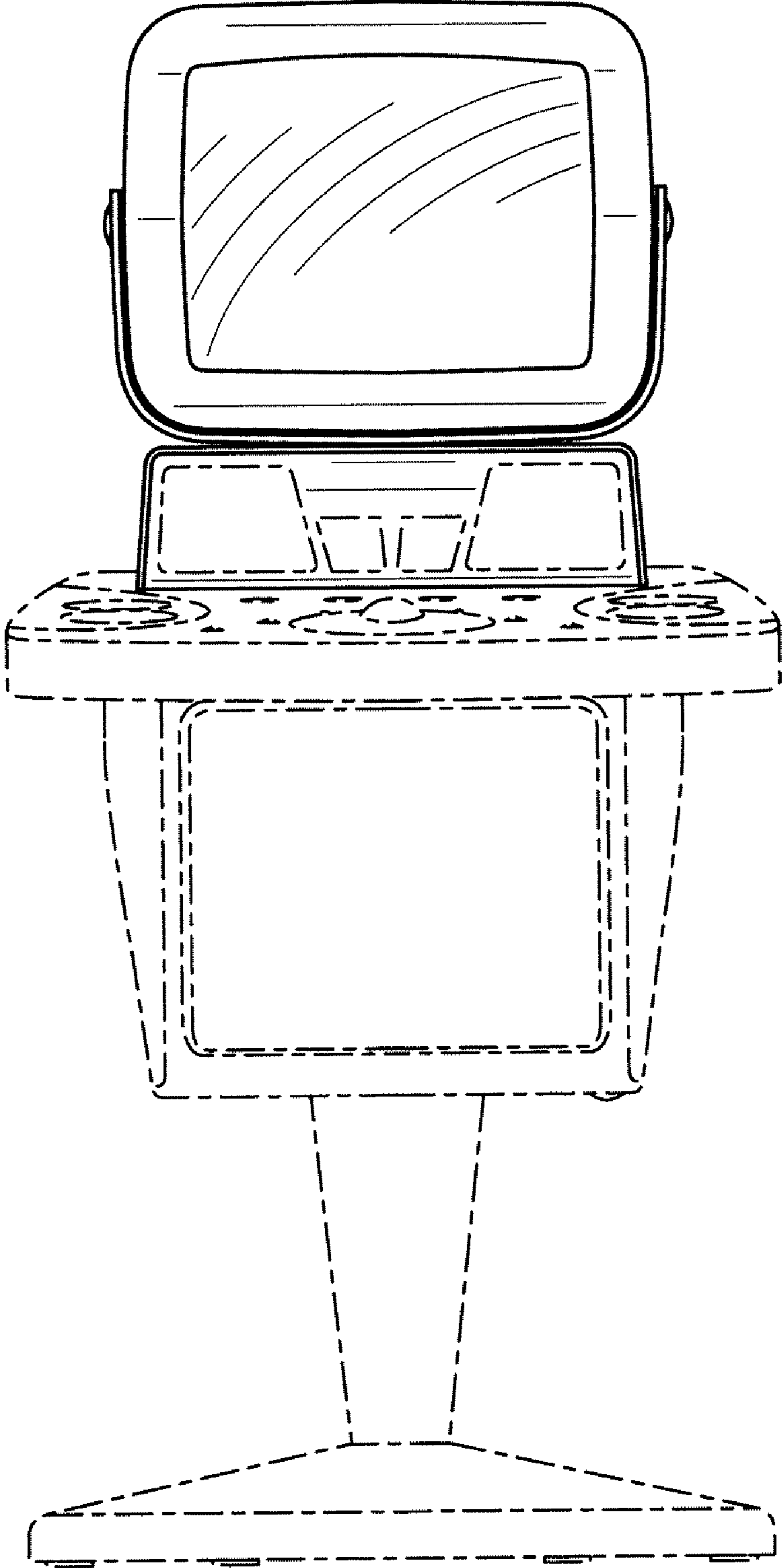


FIG. 2

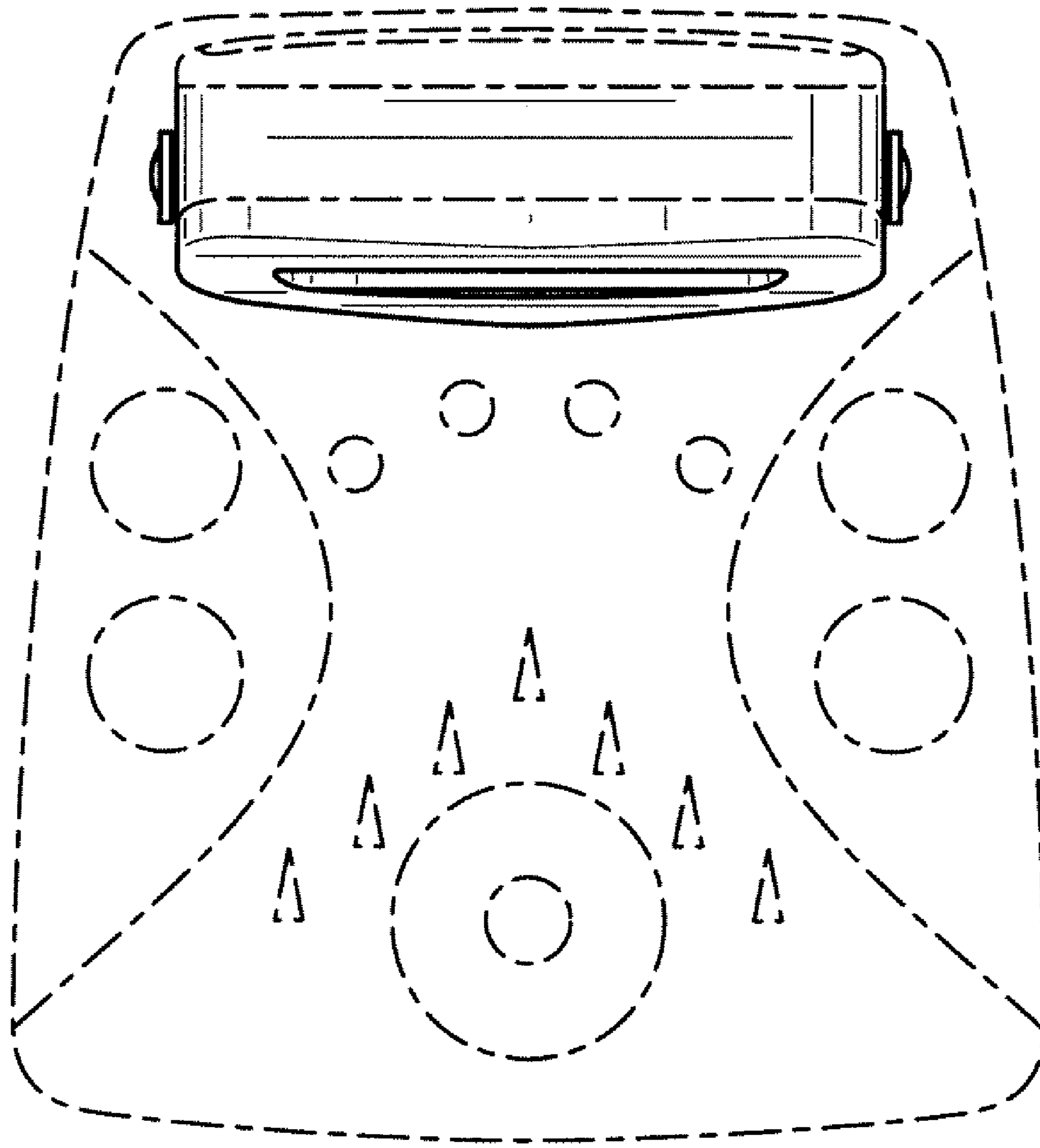


FIG. 3

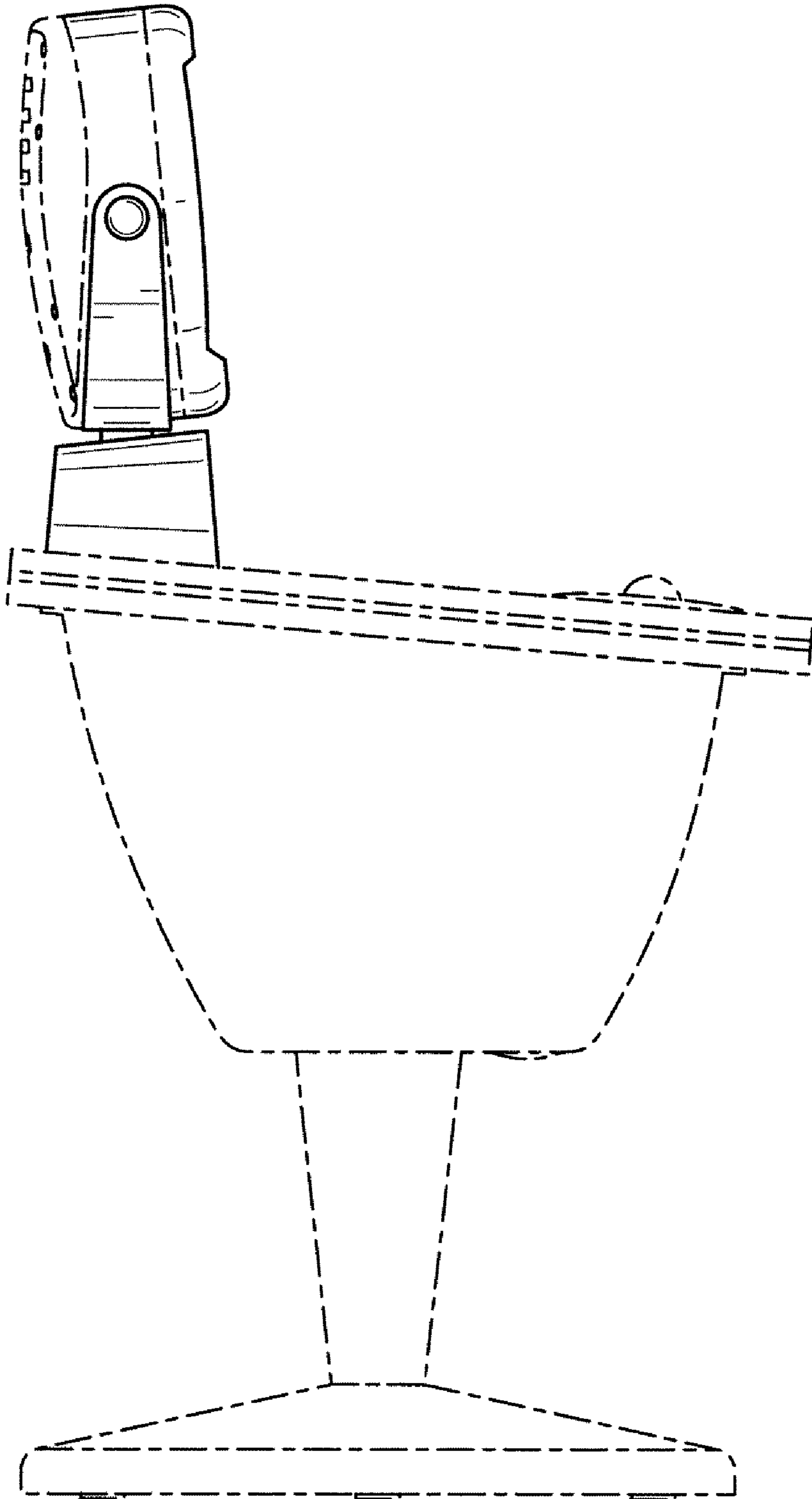


FIG. 4

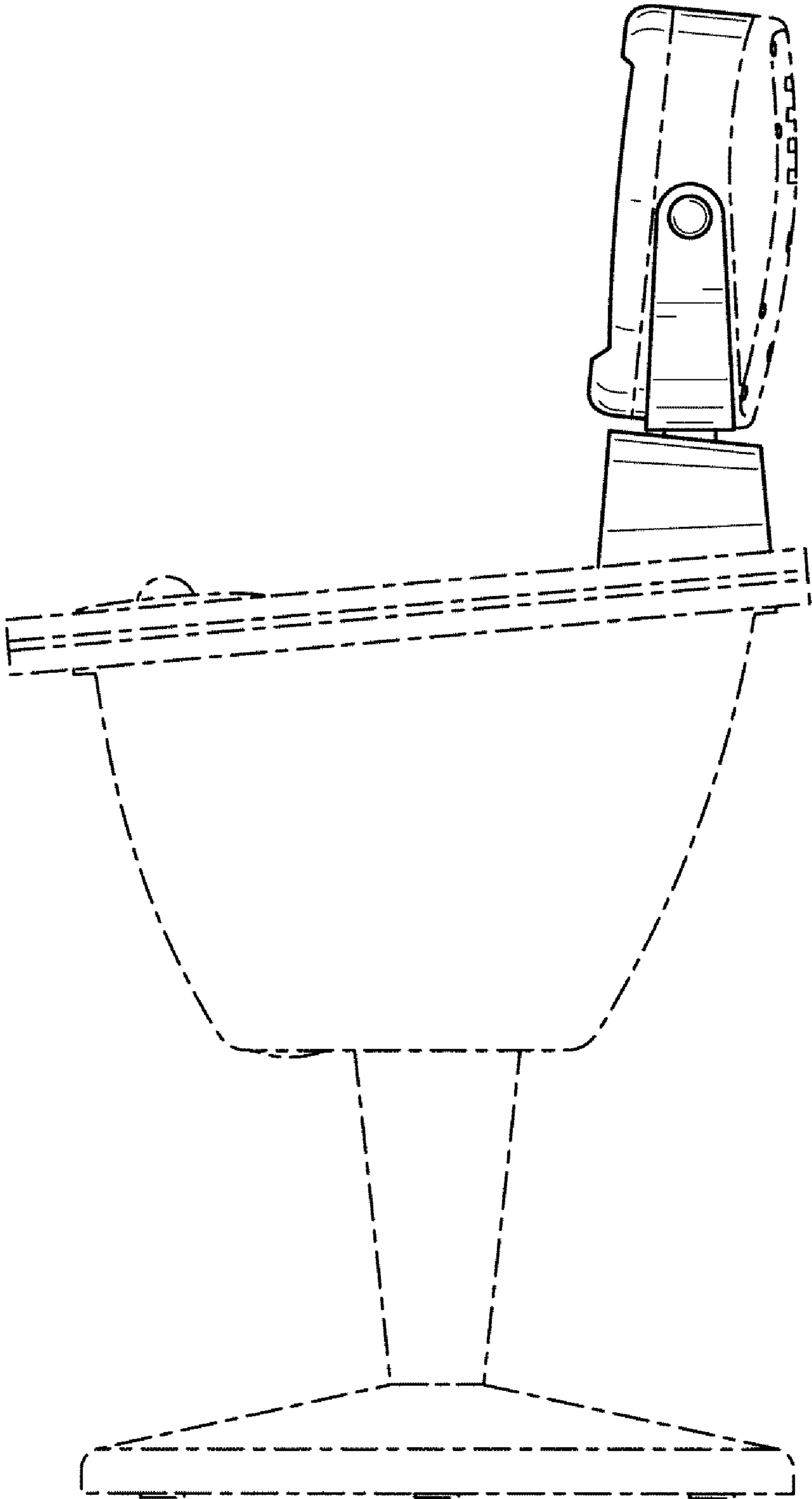


FIG. 5