



US00D587269S

(12) **United States Design Patent**
Keeports et al.

(10) **Patent No.:** **US D587,269 S**

(45) **Date of Patent:** **** Feb. 24, 2009**

(54) **RFID READER**

(75) Inventors: **Doug Keeports**, Murrysville, PA (US);
Keith Mayhood, Lower Burrell, PA (US)

(73) Assignee: **Vocollect, Inc.**, Pittsburgh, PA (US)

(**) Term: **14 Years**

(21) Appl. No.: **29/317,743**

(22) Filed: **May 6, 2008**

(51) **LOC (9) Cl.** **14-02**

(52) **U.S. Cl.** **D14/358; D14/385; D14/188**

(58) **Field of Classification Search** D14/356–370,
D14/383–387, 402, 407–410, 432–435, 439,
D14/448, 137, 138, 155, 188, 191, 299, 902;
D13/107, 108, 123, 133, 154, 158, 162, 168,
D13/184, 199; D3/201, 203.5, 203.6, 205,
D3/218, 273–275, 302; D9/715, 414, 424,
D9/426, 430–432, 499; 361/600, 622, 627–636,
361/724, 725, 679–687; 341/173, 176; 235/492
See application file for complete search history.

(56) **References Cited**

U.S. PATENT DOCUMENTS

D385,263 S *	10/1997	Taylor	D14/407
D385,540 S *	10/1997	Taylor	D13/168
D385,541 S *	10/1997	Taylor	D13/168
D391,953 S *	3/1998	Copeland et al.	D14/137
D408,783 S *	4/1999	Lucaci et al.	D13/107
D424,577 S *	5/2000	Backs et al.	D13/168
D426,529 S *	6/2000	Lohrding et al.	D14/137
D430,882 S *	9/2000	Tsai	D14/434
D454,568 S *	3/2002	Andre et al.	D14/408
D483,369 S *	12/2003	Klemettila	D14/383
D483,370 S *	12/2003	Klemettila	D14/383
D491,953 S *	6/2004	Arakaki et al.	D14/385
6,910,911 B2	6/2005	Mellott et al.		
D512,718 S *	12/2005	Mori et al.	D14/434

D518,451 S *	4/2006	Nussberger et al.	D13/184
7,052,799 B2	5/2006	Zatezalo et al.		
D522,897 S *	6/2006	Kellond	D14/137
D528,031 S *	9/2006	Kellond	D14/137
D535,974 S *	1/2007	Alwicker et al.	D14/188
D536,692 S *	2/2007	Alwicker et al.	D14/188
D537,978 S *	3/2007	Chen	D14/137
D558,761 S	1/2008	Viduya et al.		
D558,785 S *	1/2008	Kofford	D14/358
D565,569 S	4/2008	Viduya et al.		
D571,372 S *	6/2008	Brefka et al.	D14/433
D572,655 S *	7/2008	Osiecki et al.	D13/107

* cited by examiner

Primary Examiner—Cathron C Brooks

Assistant Examiner—Deanna Fluegeman

(74) *Attorney, Agent, or Firm*—Wood, Herron & Evans, LLP

(57) **CLAIM**

The ornamental design for an RFID reader, as shown and described.

DESCRIPTION

FIG. 1 is a perspective view of the invention;

FIG. 2 is a front view of FIG. 1;

FIG. 3 is a bottom view of FIG. 1, with the top view being a mirror image;

FIG. 4 is a right side view of FIG. 1, showing the connector cord in phantom;

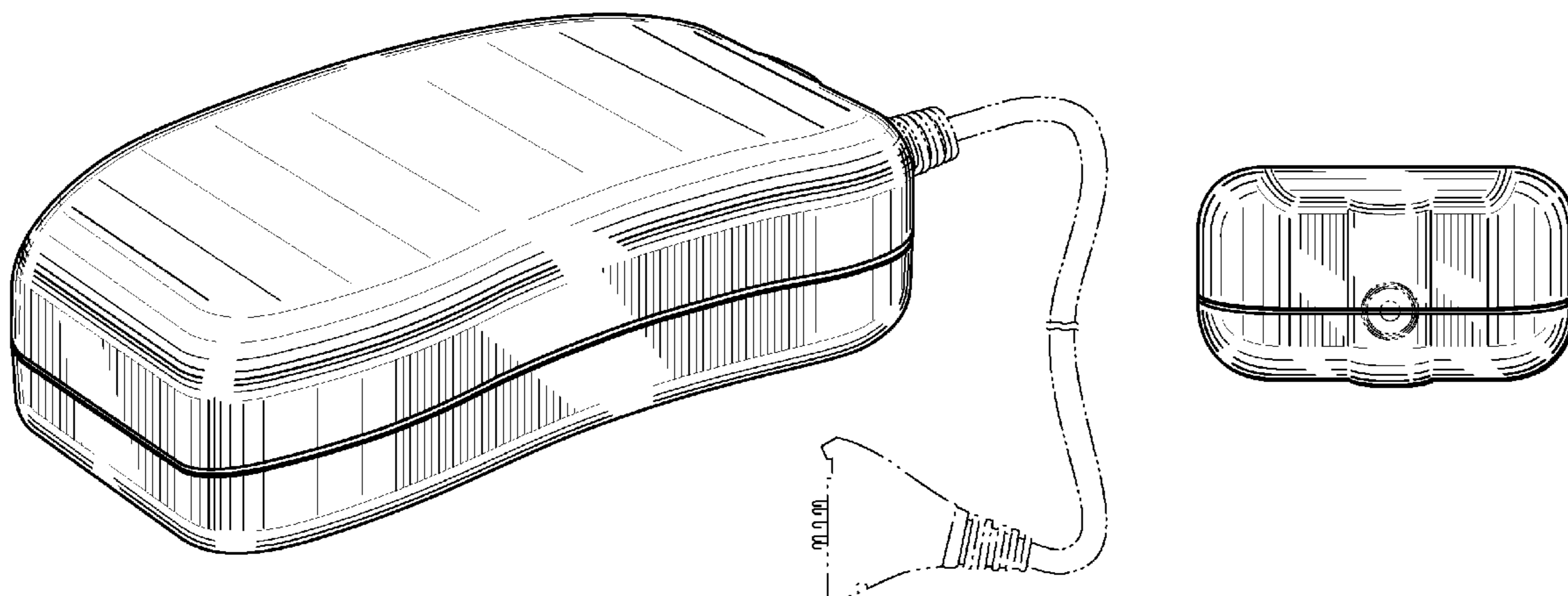
FIG. 5 is a right side view of FIG. 1;

FIG. 6 is a left side view of FIG. 1; and,

FIG. 7 is a rear view of FIG. 1.

Any elements shown in dash-dot broken lines form no part of the claimed invention in this application, and are instead included to show environmental aspects of the claimed invention.

1 Claim, 2 Drawing Sheets



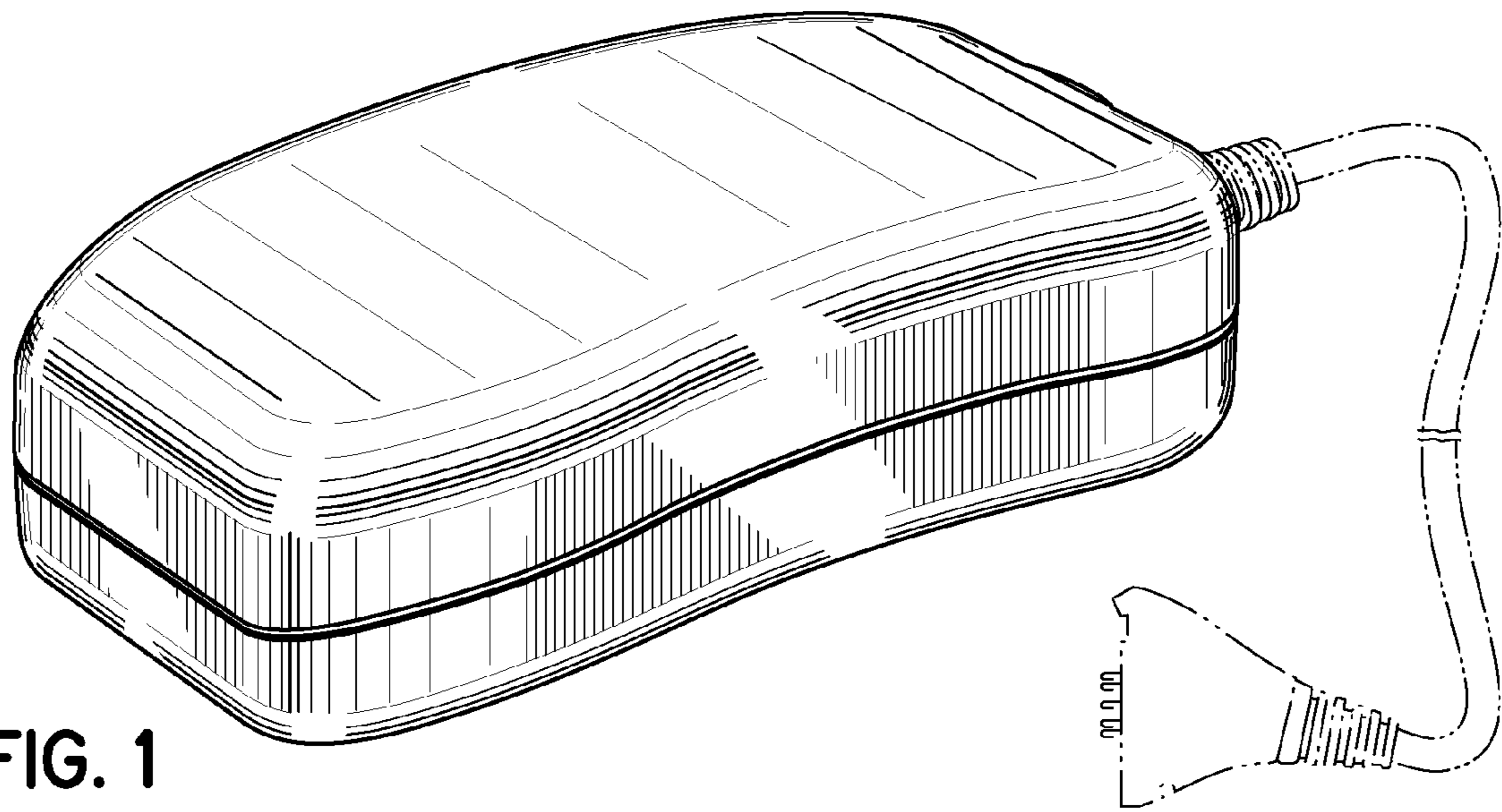


FIG. 1

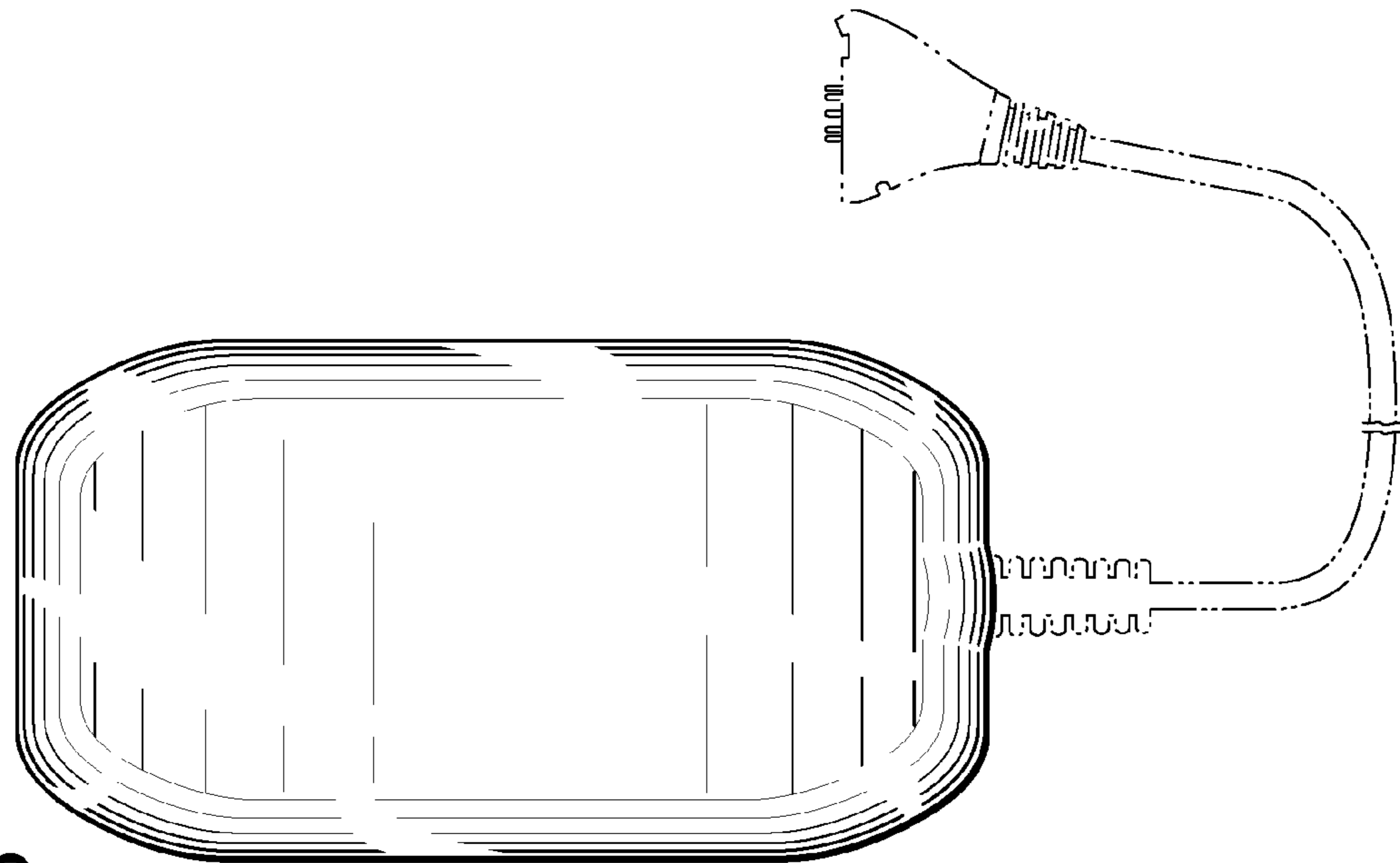


FIG. 2

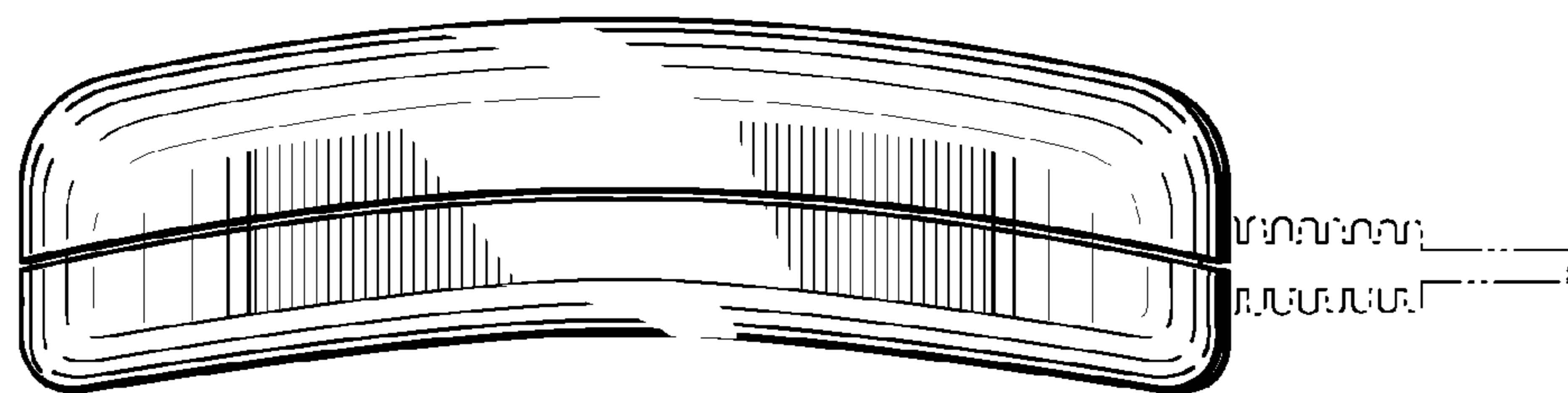


FIG. 3

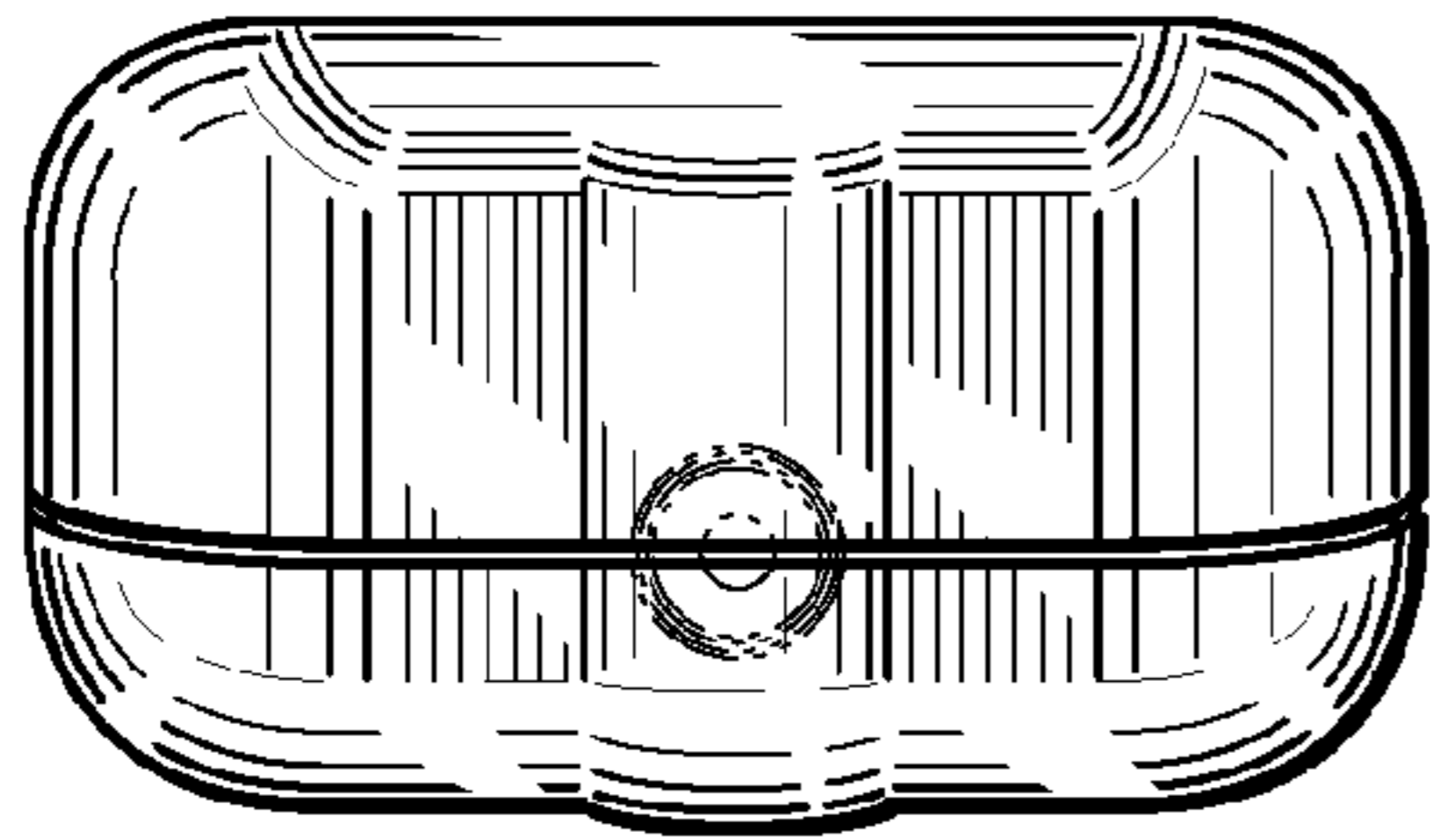


FIG. 4

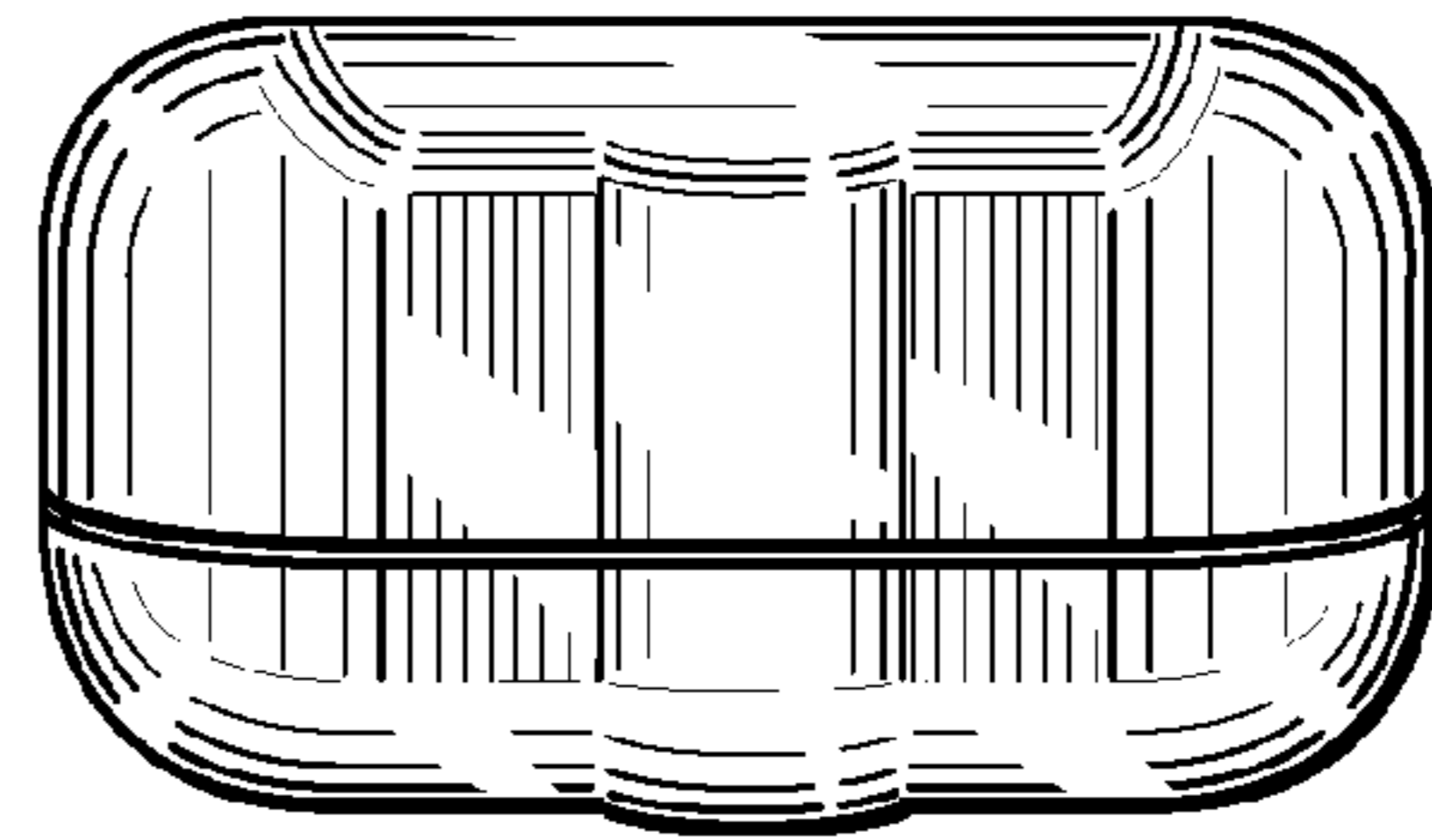


FIG. 5

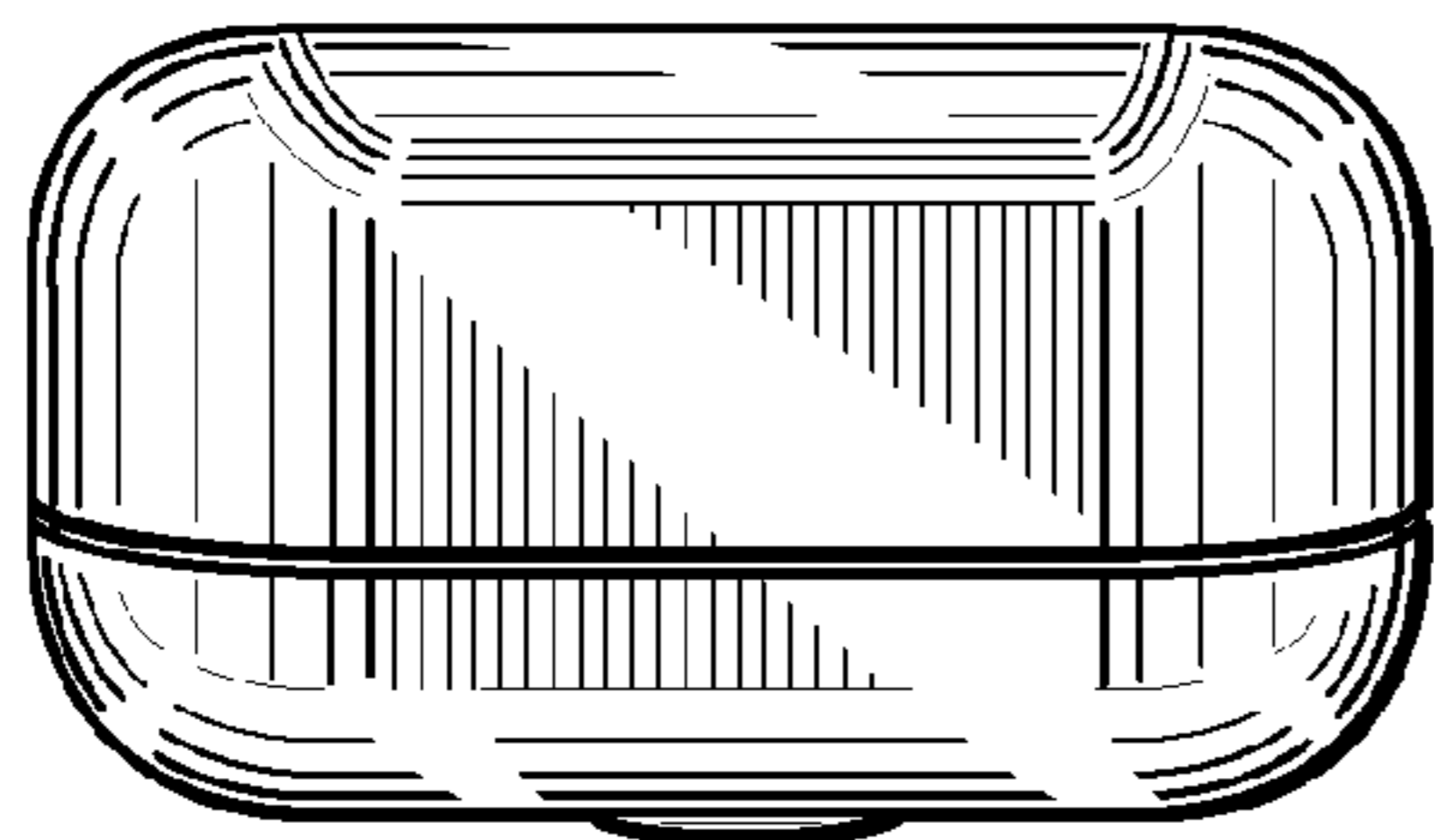


FIG. 6

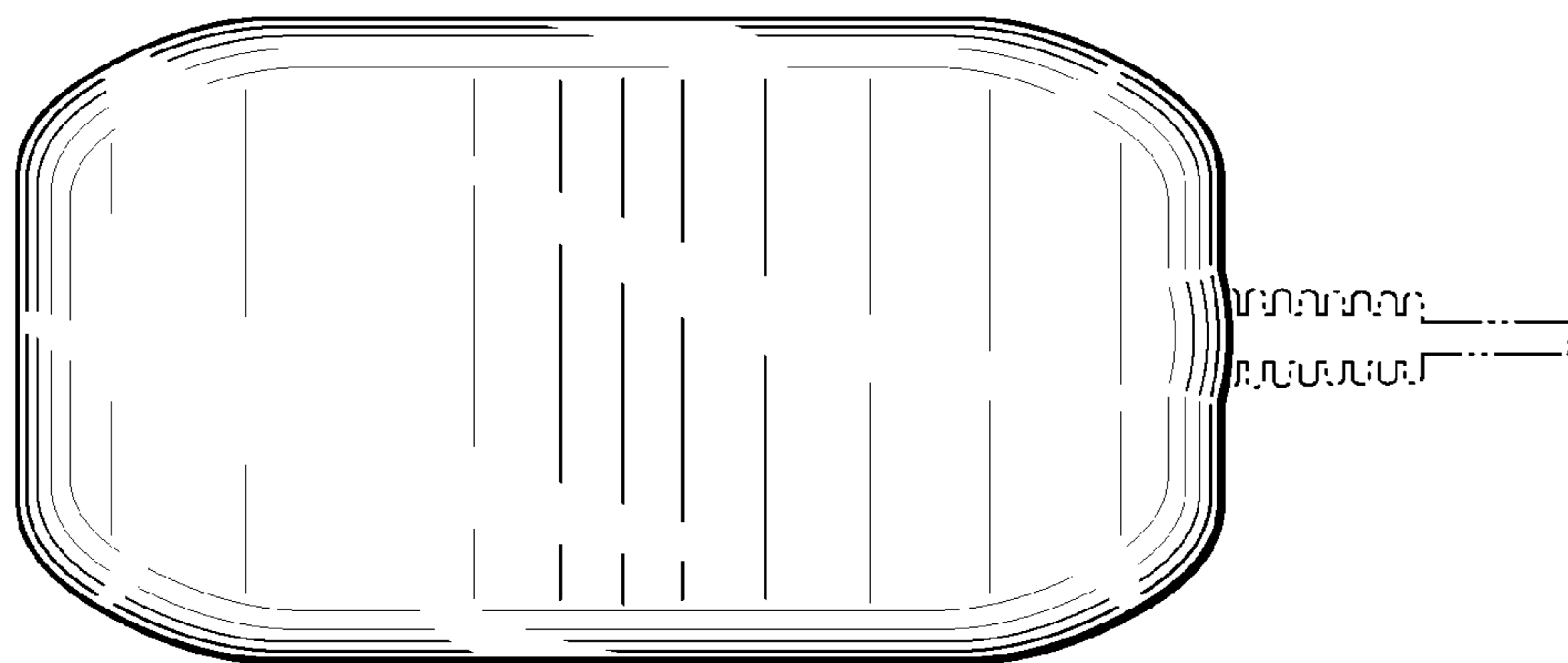


FIG. 7