



US00D587266S

(12) **United States Design Patent**
Deguchi

(10) **Patent No.:** **US D587,266 S**

(45) **Date of Patent:** **** Feb. 24, 2009**

(54) **STORAGE MEDIUM**

(75) Inventor: **Michio Deguchi**, Tokyo (JP)

(73) Assignee: **Sony Corporation**, Tokyo (JP)

(**) Term: **14 Years**

(21) Appl. No.: **29/290,480**

(22) Filed: **Dec. 10, 2007**

(30) **Foreign Application Priority Data**

Oct. 25, 2007 (JP) 2007-029294

(51) **LOC (9) Cl.** **14-02**

(52) **U.S. Cl.** **D14/356**

(58) **Field of Classification Search** D14/411,
D14/384-385, 518, 348, 432-436, 299, 167,
D14/402, 242, 356, 358, 496, 156, 240; 455/344;
710/300-301; 361/684-686; 439/518, 139-141,
439/131, 607, 133; 365/63

See application file for complete search history.

(56) **References Cited**

U.S. PATENT DOCUMENTS

2,780,050	A *	2/1957	Florman	368/277
6,456,500	B1 *	9/2002	Chen	361/752
D479,844	S *	9/2003	Slocombe et al.	D14/411
6,743,030	B2 *	6/2004	Lin et al.	439/131
D494,969	S	8/2004	Lin		
D500,485	S *	1/2005	Deguchi	D14/167
D530,340	S *	10/2006	Andre et al.	D14/496
D545,311	S	6/2007	Wai		
D547,311	S *	7/2007	Chen et al.	D14/356
D553,618	S *	10/2007	Cheng	D14/356
7,301,596	B1 *	11/2007	Morganstern et al.	349/131
D563,954	S *	3/2008	Buchanon	D14/356
2004/0233645	A1 *	11/2004	Chen	361/737

2005/0173276	A1 *	8/2005	Hsu	206/320
2006/0258196	A1 *	11/2006	Chen et al.	439/141

FOREIGN PATENT DOCUMENTS

JP	D1208256	S	6/2004
JP	D1277057	S	7/2006

OTHER PUBLICATIONS

Rotatable Card Reader Manufacturer [online], [retrieved on Jan. 8, 2007]. Retrieved from the Internet <URL: <http://www.globalsources.com/gsol/I/Memory-card/p/bg/1001397133.htm>>.*

Press Release, "PQI Coll Drive U350", <http://www.pqi.com/tw/product2.asp?cate1=18&proid=275>, 1 sheet, PQI (2007).

Press Release, "i-Spring", <http://www.umade.co.kr/item/1013811>, 1 sheet, Axxen (2007).

* cited by examiner

Primary Examiner—Robin V Webster

Assistant Examiner—Karen E Kearney

(74) *Attorney, Agent, or Firm*—Rader, Fishman & Grauer, PLLC

(57) **CLAIM**

The ornamental design for a storage medium, as shown.

DESCRIPTION

FIG. 1 is a perspective view of a storage medium showing my new design;

FIG. 2 is a front elevational view thereof;

FIG. 3 is a rear elevational view thereof;

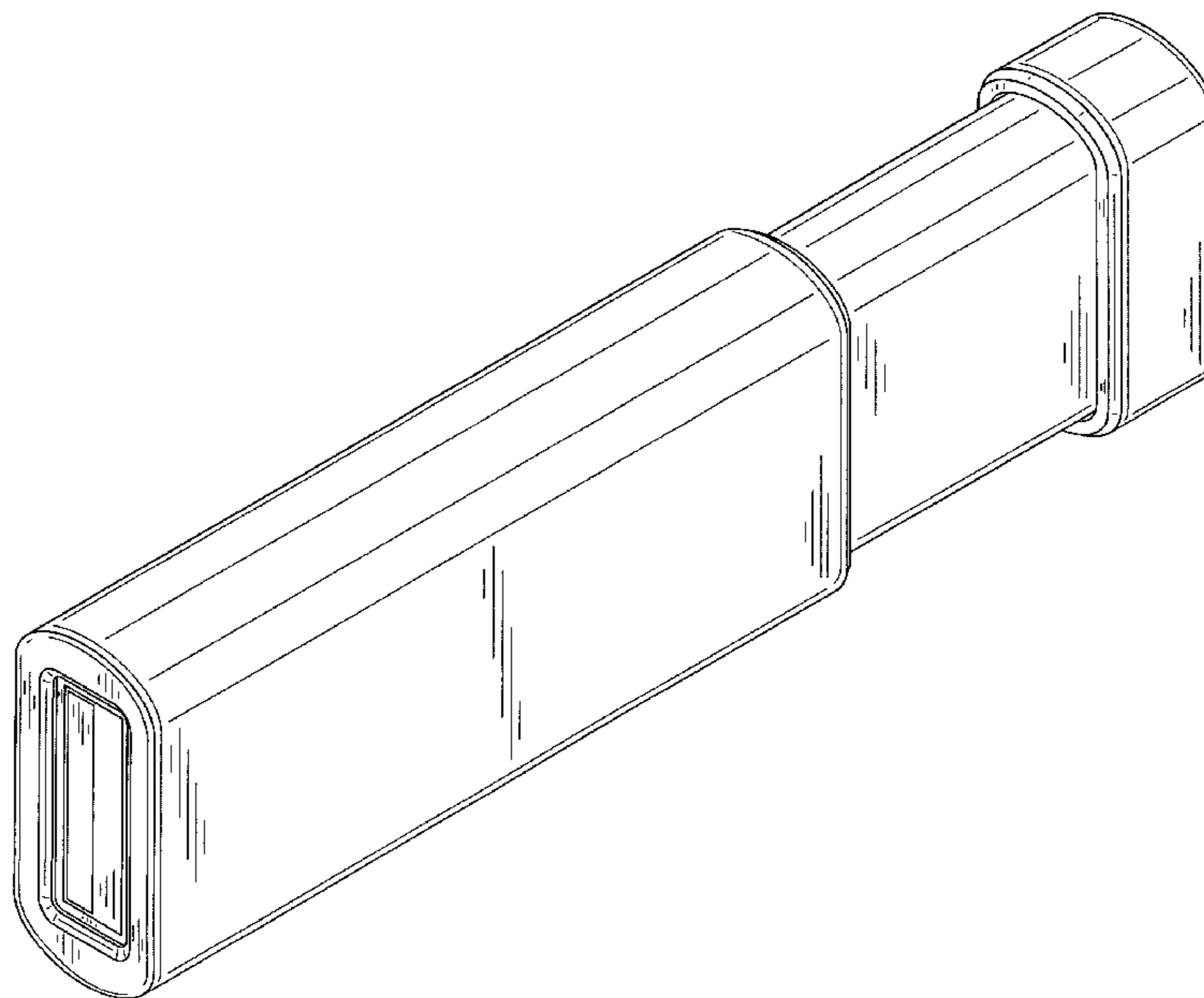
FIG. 4 is a left side elevational view thereof;

FIG. 5 is a right side elevational view thereof;

FIG. 6 is a top plan view thereof; and,

FIG. 7 is a bottom plan view thereof.

1 Claim, 7 Drawing Sheets



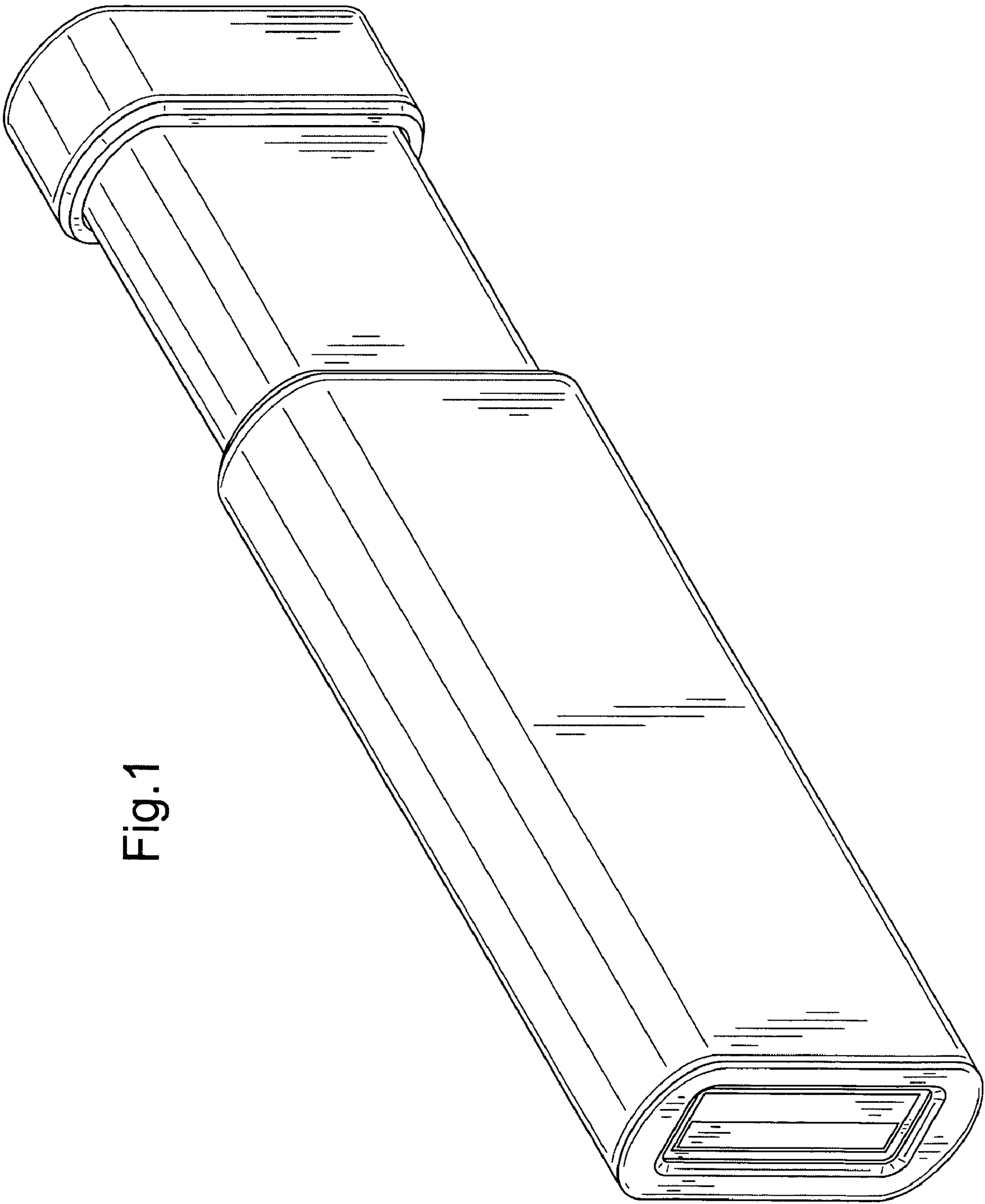


Fig.1

Fig. 2

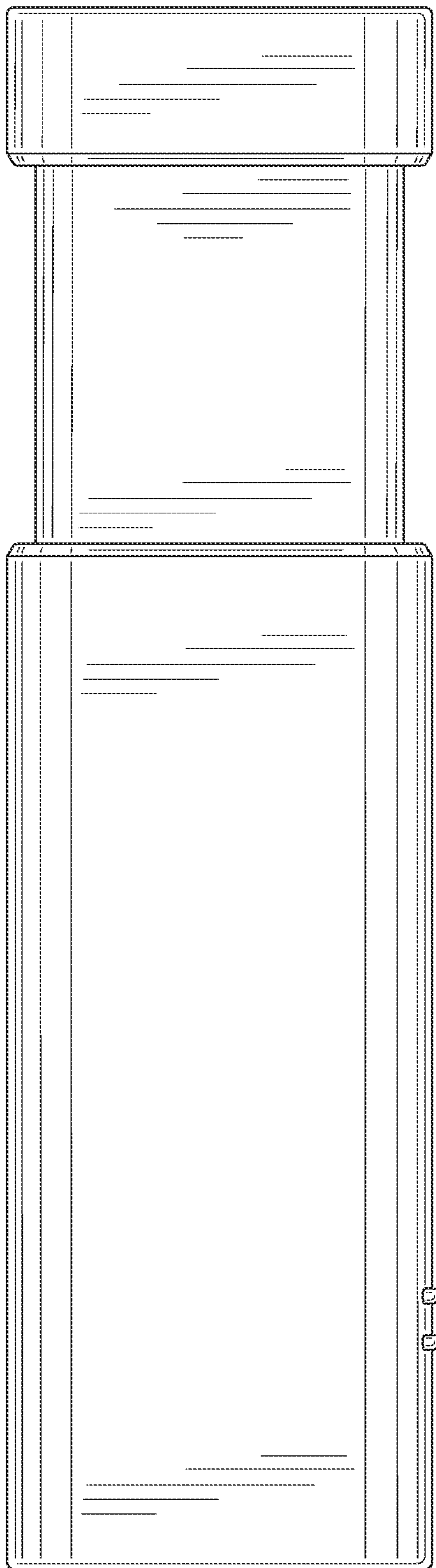


Fig.3

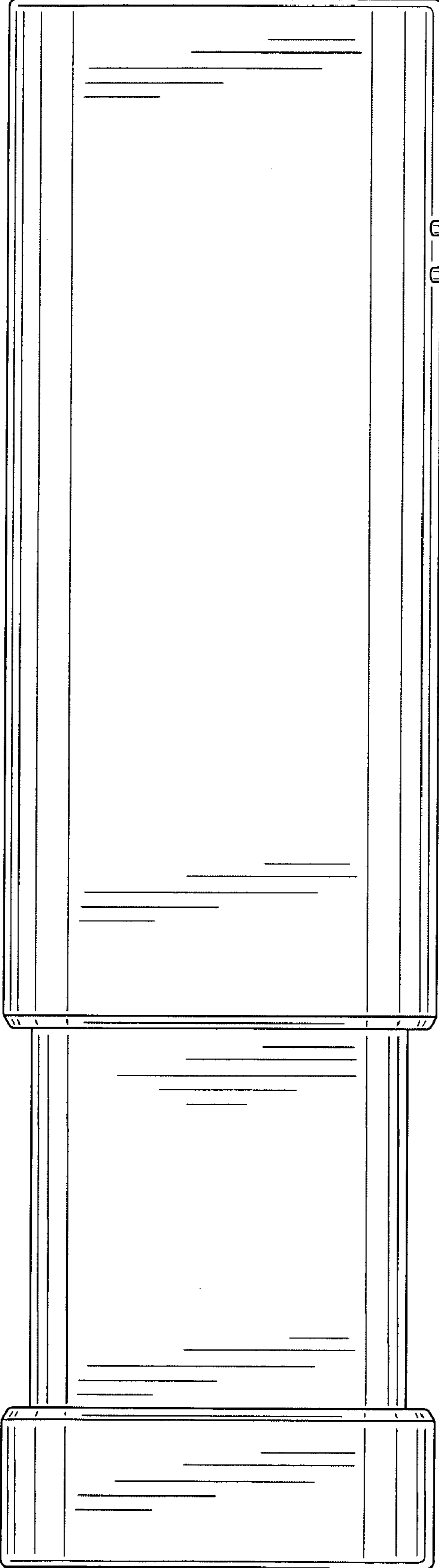


Fig.4

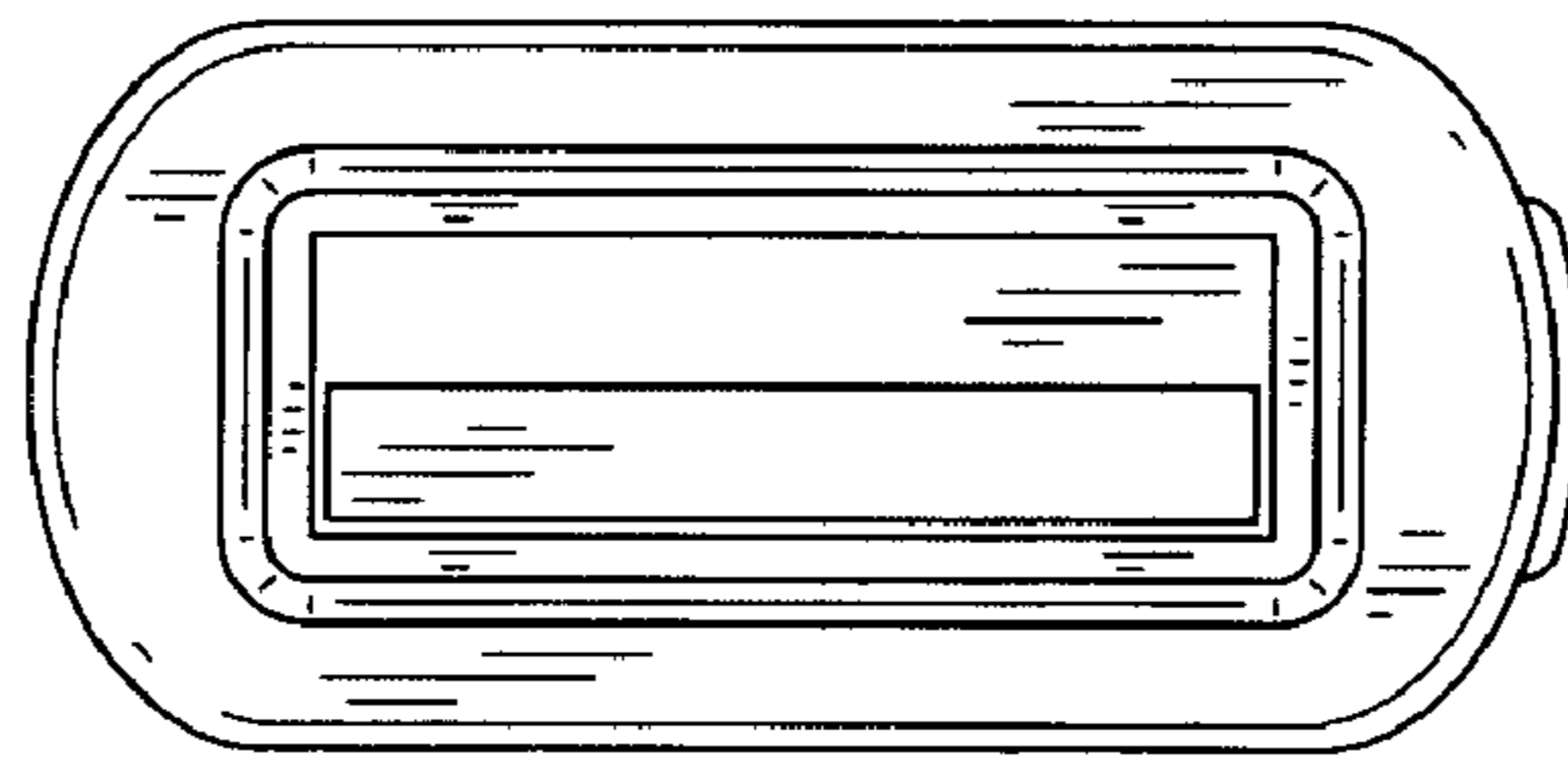
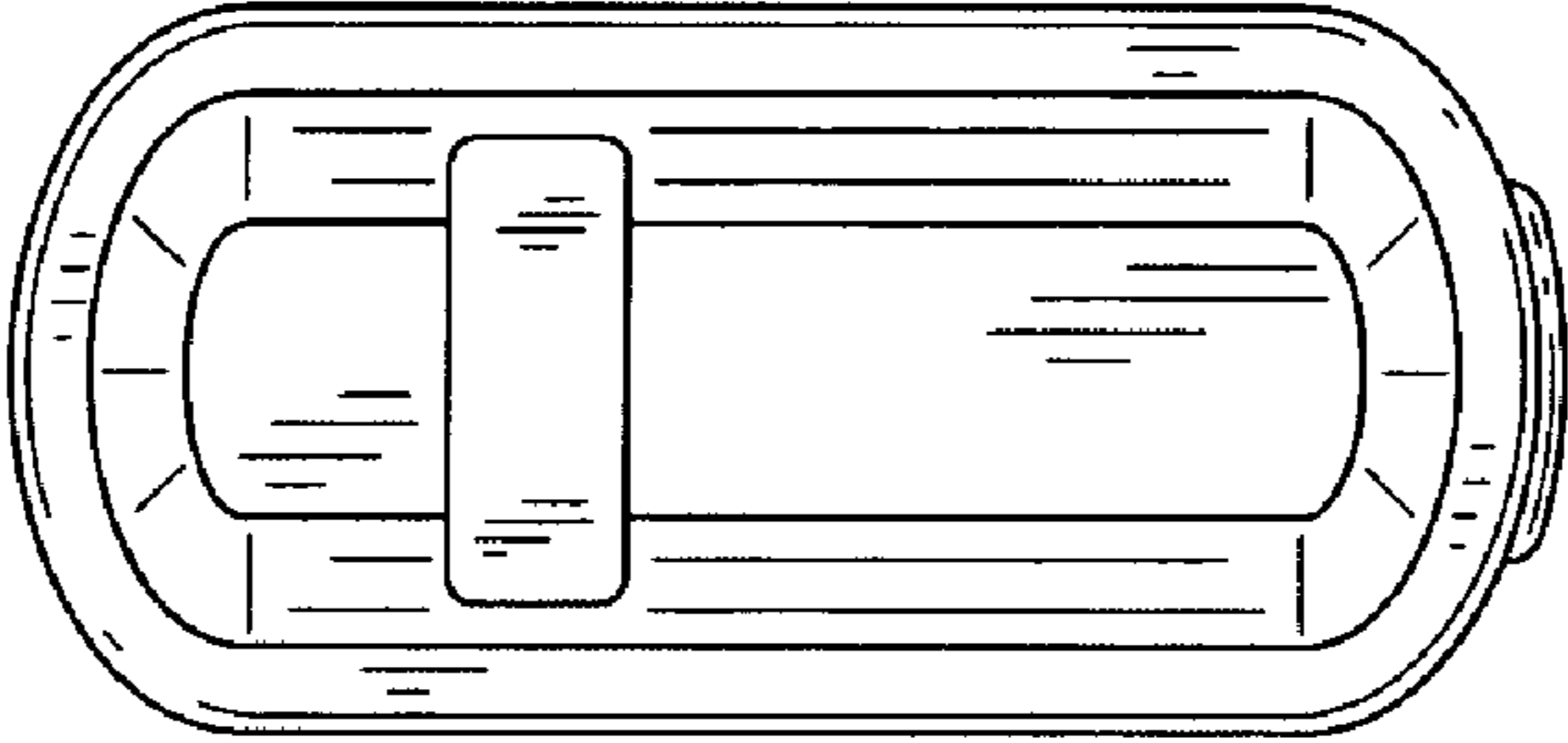


Fig. 5



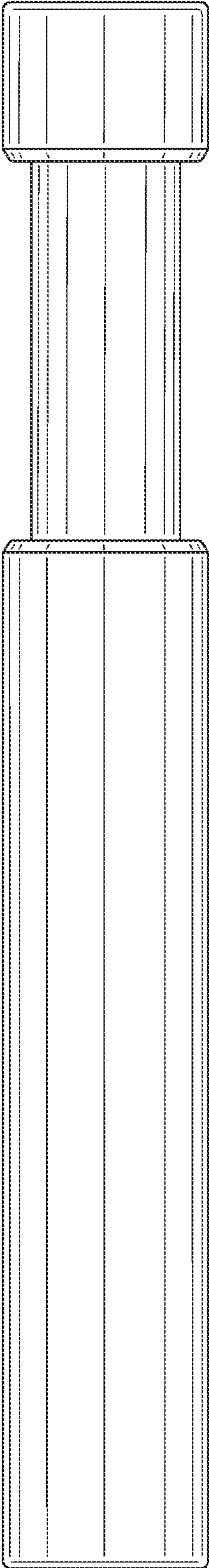


Fig.6

Fig. 7

