



US00D587264S

(12) **United States Design Patent**  
**Griffin et al.**

(10) **Patent No.:** **US D587,264 S**  
(45) **Date of Patent:** **\*\* Feb. 24, 2009**

(54) **HAND-HELD ELECTRONIC DEVICE**

2008/0055253 A1\* 3/2008 Moosavi et al. .... 345/169

(75) Inventors: **Jason T. Griffin**, Kitchener (CA);  
**Cortez Corley**, Waterloo (CA)

(73) Assignee: **Research in Motion Limited**, Waterloo,  
Ontario (CA)

(\*\*) Term: **14 Years**

(21) Appl. No.: **29/248,288**

(22) Filed: **Aug. 7, 2006**

(51) **LOC (9) Cl.** ..... **14-02**

(52) **U.S. Cl.** ..... **D14/346; D14/248**

(58) **Field of Classification Search** ..... D14/346,  
D14/341, 342, 343, 344, 345, 347, 439, 137,  
D14/138, 374, 248, 496, 125, 129; 345/169,  
345/173; 379/433.04, 433.06, 433.07, 433.11,  
379/433.12, 433.13; 348/14.02; 455/556.1,  
455/556.2, 566, 575.1, 575.3, 575.4, 90.3;  
341/22; D13/168; D18/6, 7; D21/329, 331  
See application file for complete search history.

(56) **References Cited**

**U.S. PATENT DOCUMENTS**

D550,186 S *	9/2007	Rak	.....	D14/138
D550,641 S *	9/2007	Wang	.....	D14/138
D550,665 S *	9/2007	Griffin et al.	.....	D14/346
D551,227 S *	9/2007	Griffin et al.	.....	D14/346
D556,749 S *	12/2007	Rak et al.	.....	D14/346
2007/0188462 A1 *	8/2007	Lee et al.	.....	345/167
2007/0234208 A1 *	10/2007	Scott	.....	715/700
2007/0254721 A1 *	11/2007	Griffin et al.	.....	455/566
2007/0259698 A1 *	11/2007	Chen et al.	.....	455/566
2007/0275771 A1 *	11/2007	Lee et al.	.....	455/575.1

**OTHER PUBLICATIONS**

BlackBerry 7130g, Jun. 2006, [http://www.gsmarena.com/blackberry\\_7130g-1622.php](http://www.gsmarena.com/blackberry_7130g-1622.php).  
BlackBerry Pearl 8100, Sep. 2006, [http://www.gsmarena.com/blackberry\\_pearl\\_8100-1701.php](http://www.gsmarena.com/blackberry_pearl_8100-1701.php).  
BlackBerry Pearl 8120, Oct. 2007, [http://www.gsmarena.com/blackberry\\_pearl\\_8120-2136.php](http://www.gsmarena.com/blackberry_pearl_8120-2136.php).  
BlackBerry Pearl 8110, Jan. 2008, [http://www.gsmarena.com/blackberry\\_pearl\\_8110-2226.php](http://www.gsmarena.com/blackberry_pearl_8110-2226.php).

\* cited by examiner

*Primary Examiner*—Jennifer Rivard

*Assistant Examiner*—Angela J Lee

(74) *Attorney, Agent, or Firm*—Novak Druce + Quigg LLP

(57) **CLAIM**

We claim the ornamental design for a hand-held electronic device, as shown and described.

**DESCRIPTION**

FIG. 1 is a front, left-side perspective view of a hand-held electronic device;

FIG. 2 is a rear, left-side perspective view thereof;

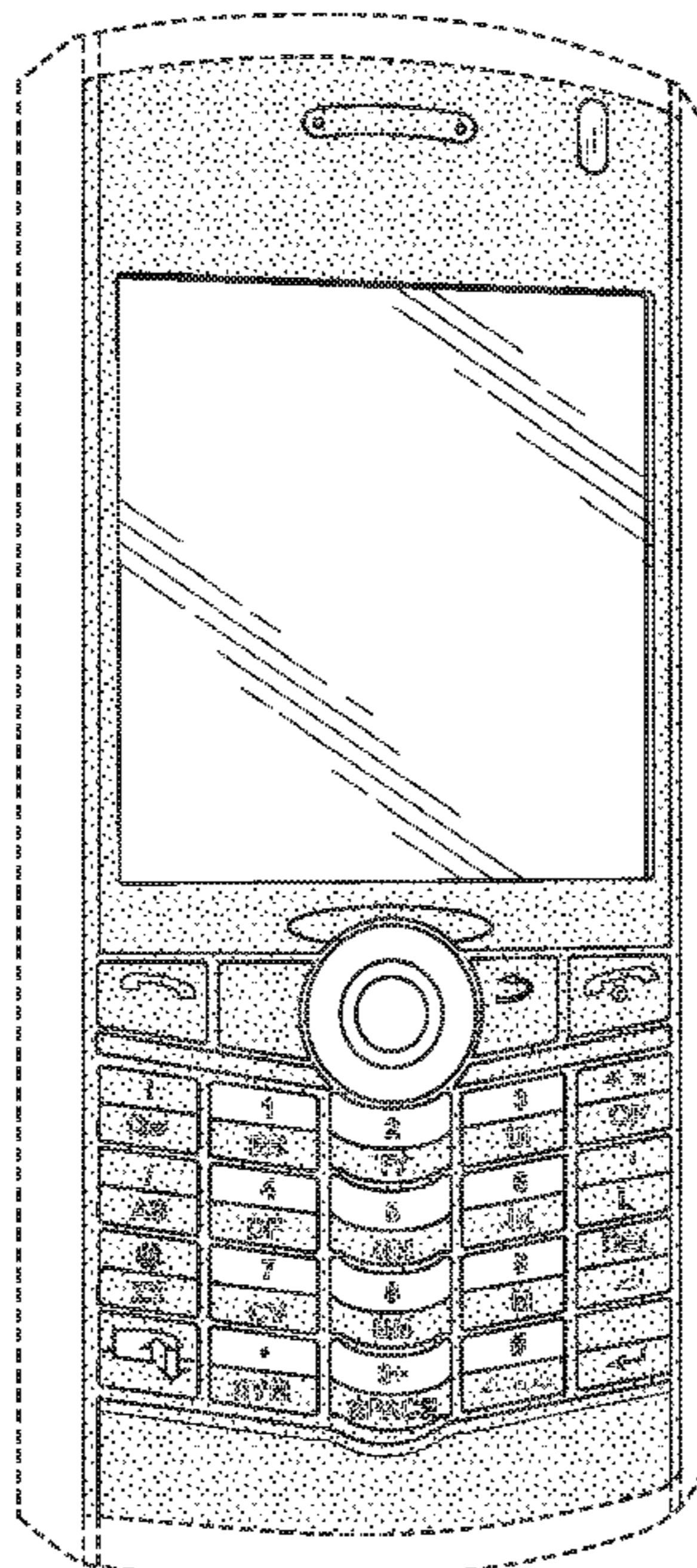
FIG. 3 is a front, right-side perspective view thereof;

FIG. 4 is a front elevational view thereof; and,

FIG. 5 is a rear elevational view thereof.

The broken line showing of the surface indicia and portions of the hand-held electronic device are included for the purpose of illustrating environment. The broken lines immediately adjacent the stippled shading represent the bounds of the claim. None of the broken lines forms part of the claimed design.

**1 Claim, 5 Drawing Sheets**



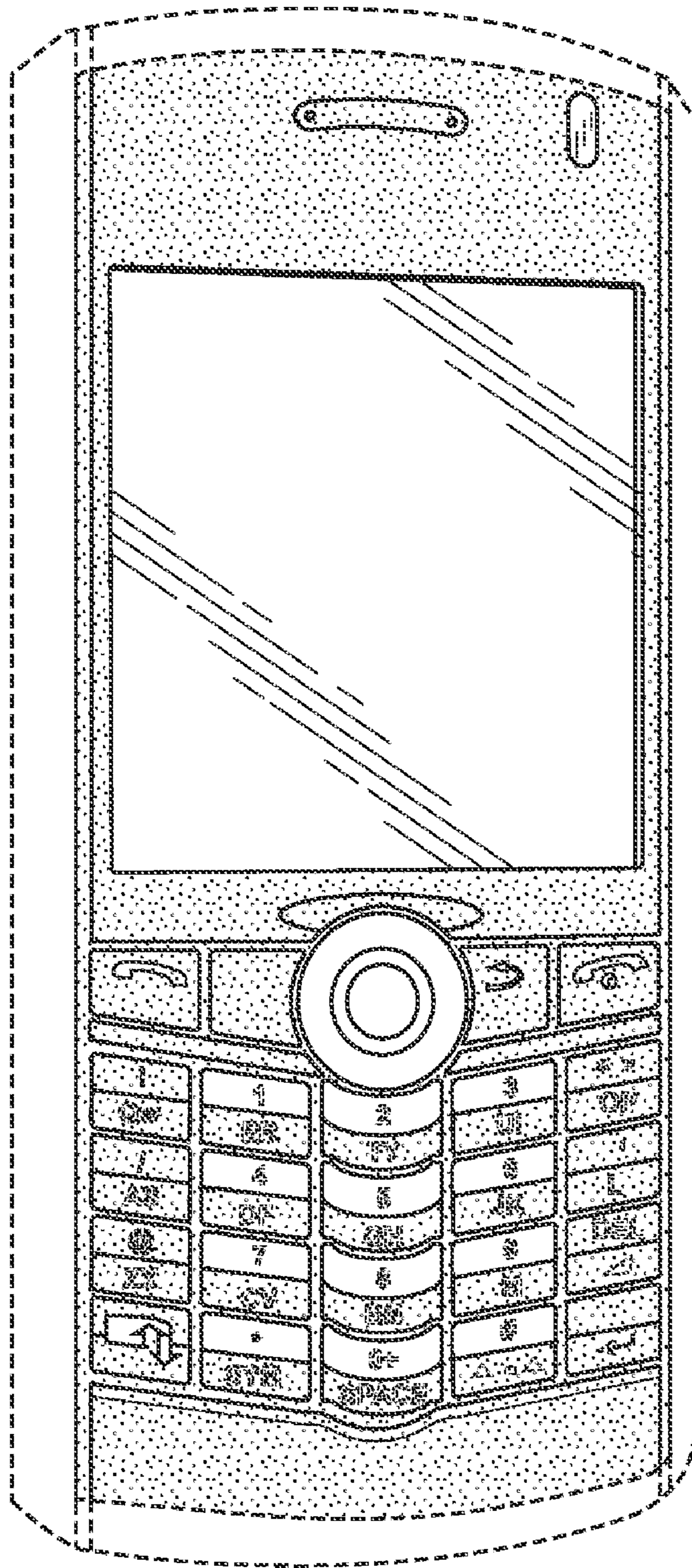


FIG. 1



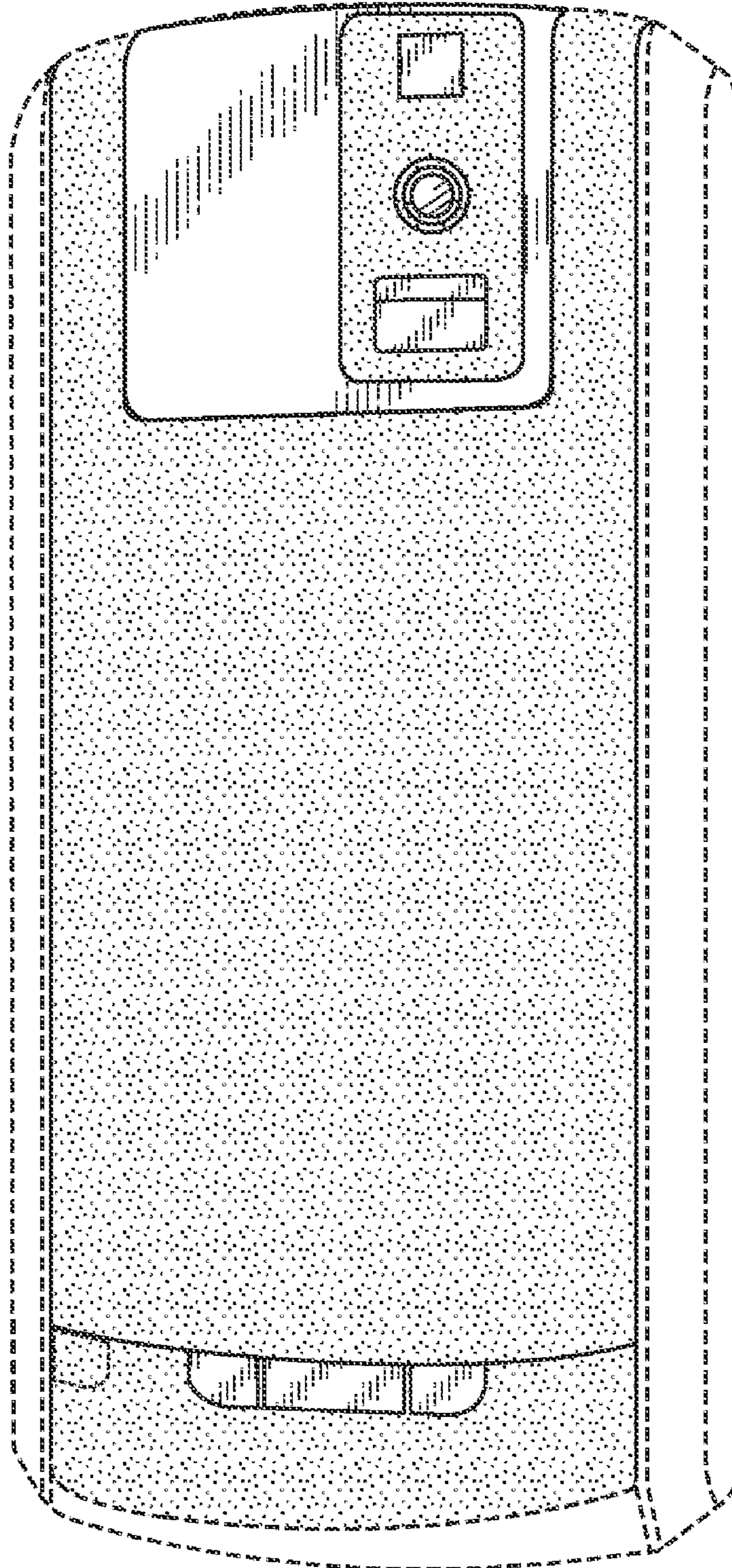


FIG. 2

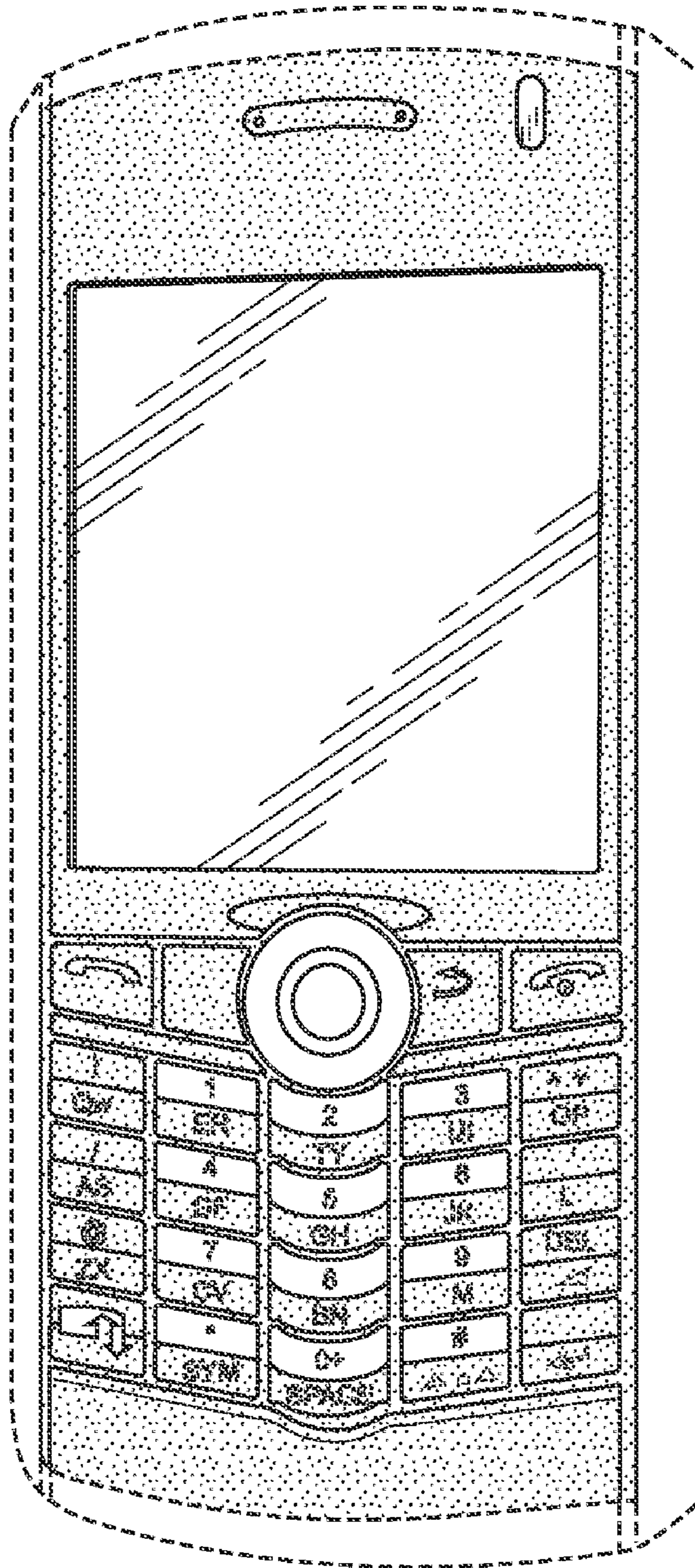


FIG. 3



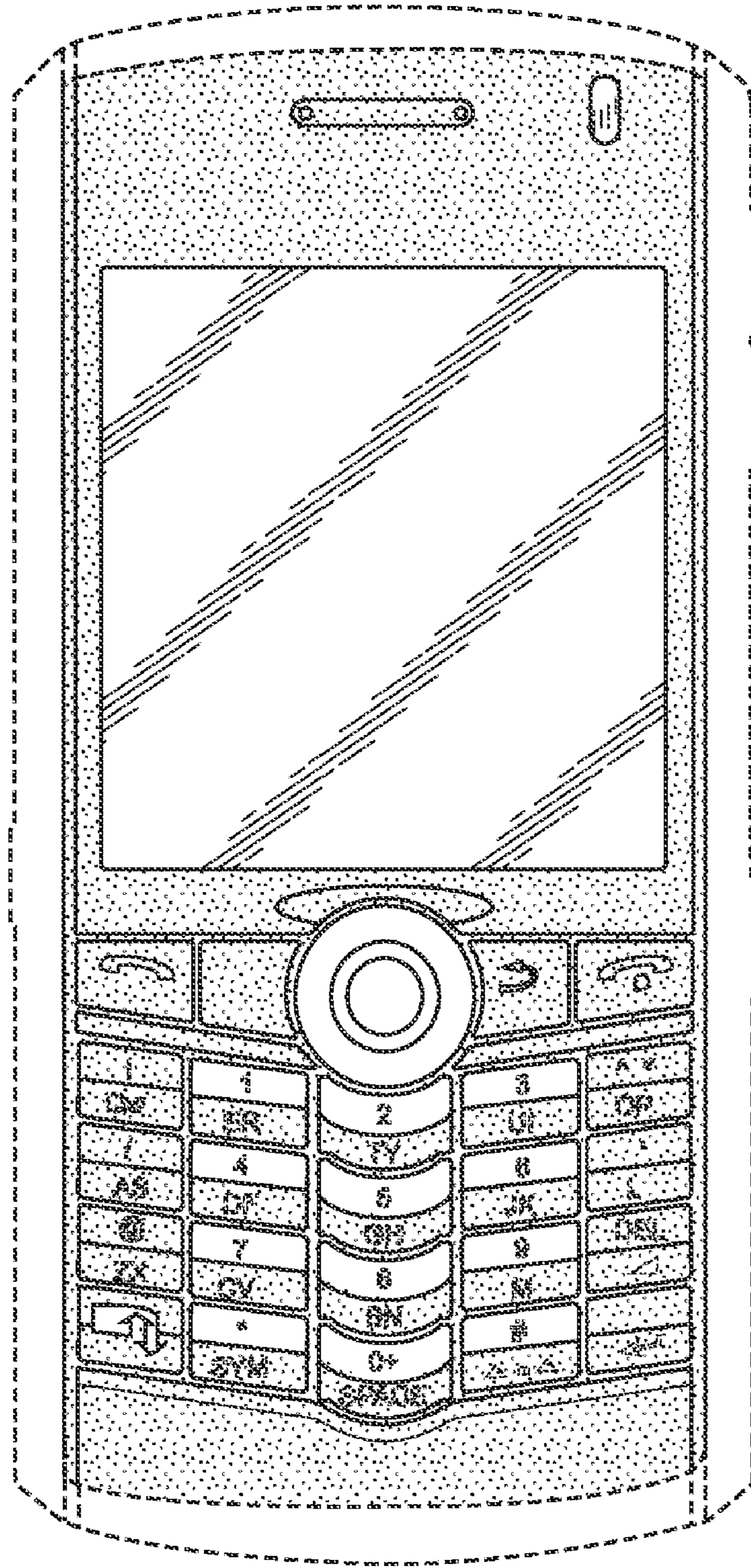


FIG. 4

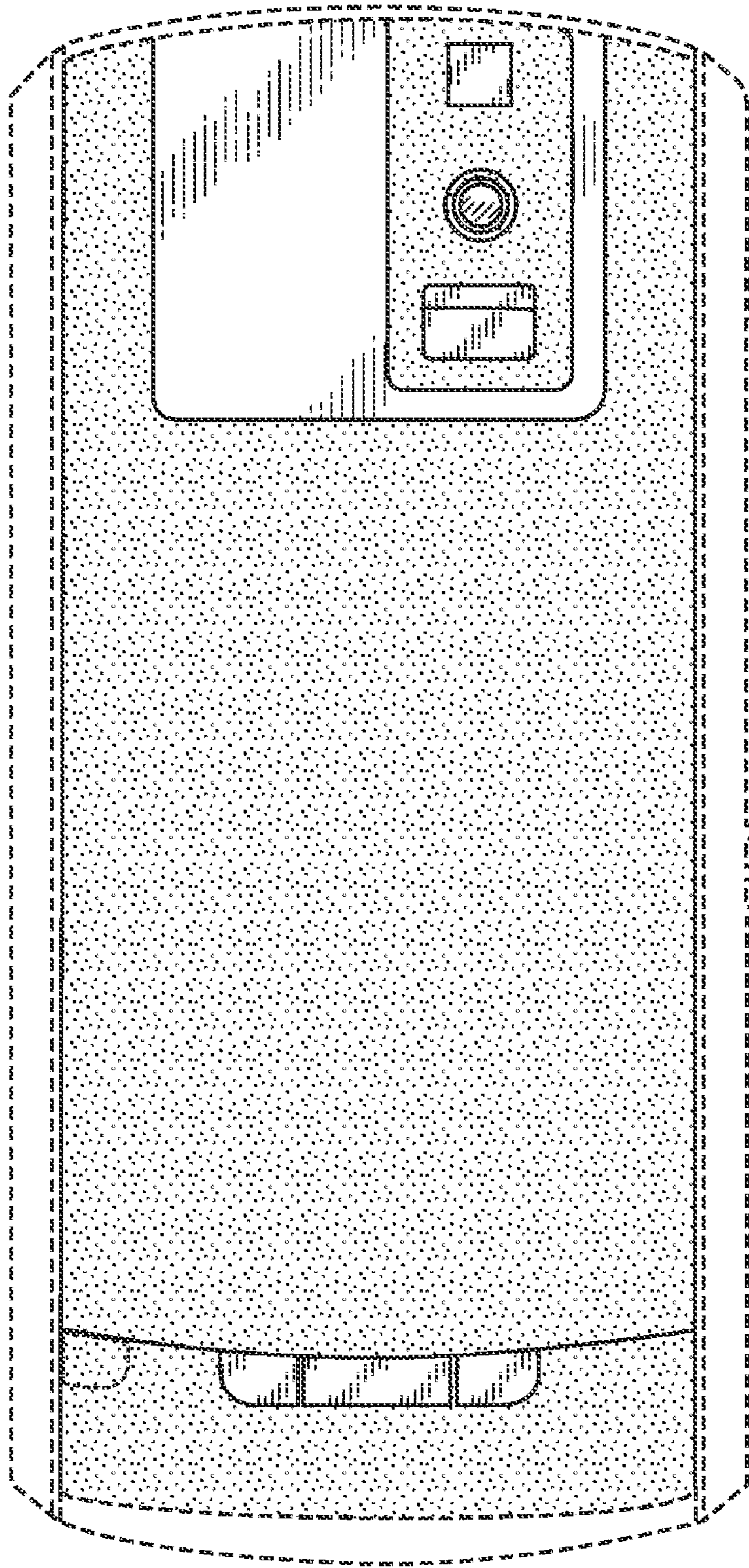


FIG. 5