



US00D587261S

(12) **United States Design Patent**
Skaf et al.

(10) **Patent No.:** **US D587,261 S**

(45) **Date of Patent:** **** Feb. 24, 2009**

(54) **TOUCH PANEL**

(75) Inventors: **Rashid Skaf**, Plano, TX (US); **Lorelei Curtiss Cannon**, Plano, TX (US); **Arthur Chao Chung Wu**, Plano, TX (US); **I-Te Liu**, Taipei (TW); **Lee T. VanLanen**, McKinney, TX (US)

(73) Assignee: **AMX LLC**, Richardson, TX (US)

(**) Term: **14 Years**

(21) Appl. No.: **29/284,322**

(22) Filed: **Sep. 5, 2007**

(51) **LOC (9) Cl.** **14-02**

(52) **U.S. Cl.** **D14/341**

(58) **Field of Classification Search** D14/125–129, D14/132, 341–346, 374, 387, 399; D18/1, D18/2, 4.1, 4.4, 7, 11; D19/26, 59, 60; D21/329, D21/324; 178/18.01, 18.03; 235/145 A, 235/145 R; 248/917–924; 33/443; 341/12, 341/22, 23; 345/104, 156, 168, 169, 172, 345/173, 179, 672; 348/180, 184, 325, 739, 348/837; 349/1, 11, 12, 2, 62; 361/680–686; 434/307 R, 308, 309, 317

See application file for complete search history.

(56) **References Cited**

U.S. PATENT DOCUMENTS

D422,979	S *	4/2000	Lee	D14/375
D496,034	S *	9/2004	Guerrera et al.	D14/336
D536,313	S *	2/2007	Chen et al.	D14/126
7,319,499	B2 *	1/2008	Peng	349/58
2007/0211420	A1 *	9/2007	Bang	361/683

* cited by examiner

Primary Examiner—Cathron C Brooks

Assistant Examiner—Barbara Fox

(74) *Attorney, Agent, or Firm*—Gardere Wynne Sewell LLP; Karl L. Larson

(57) **CLAIM**

The ornamental design for a touch panel, as shown and described.

DESCRIPTION

FIG. 1 is a front view of a touch panel in accordance with the invention;

FIG. 2 is a first side view of the touch panel shown in FIG. 1;

FIG. 3 is a second side view of the touch panel shown in FIG. 1;

FIG. 4 is a top view of the touch panel shown in FIG. 1;

FIG. 5 is a rear view of the touch panel shown in FIG. 1;

FIG. 6 is a bottom view of the touch panel shown in FIG. 1;

FIG. 7 is a front perspective of the touch panel shown in FIG. 1;

FIG. 8 is a rear perspective of the touch panel shown in FIG. 1;

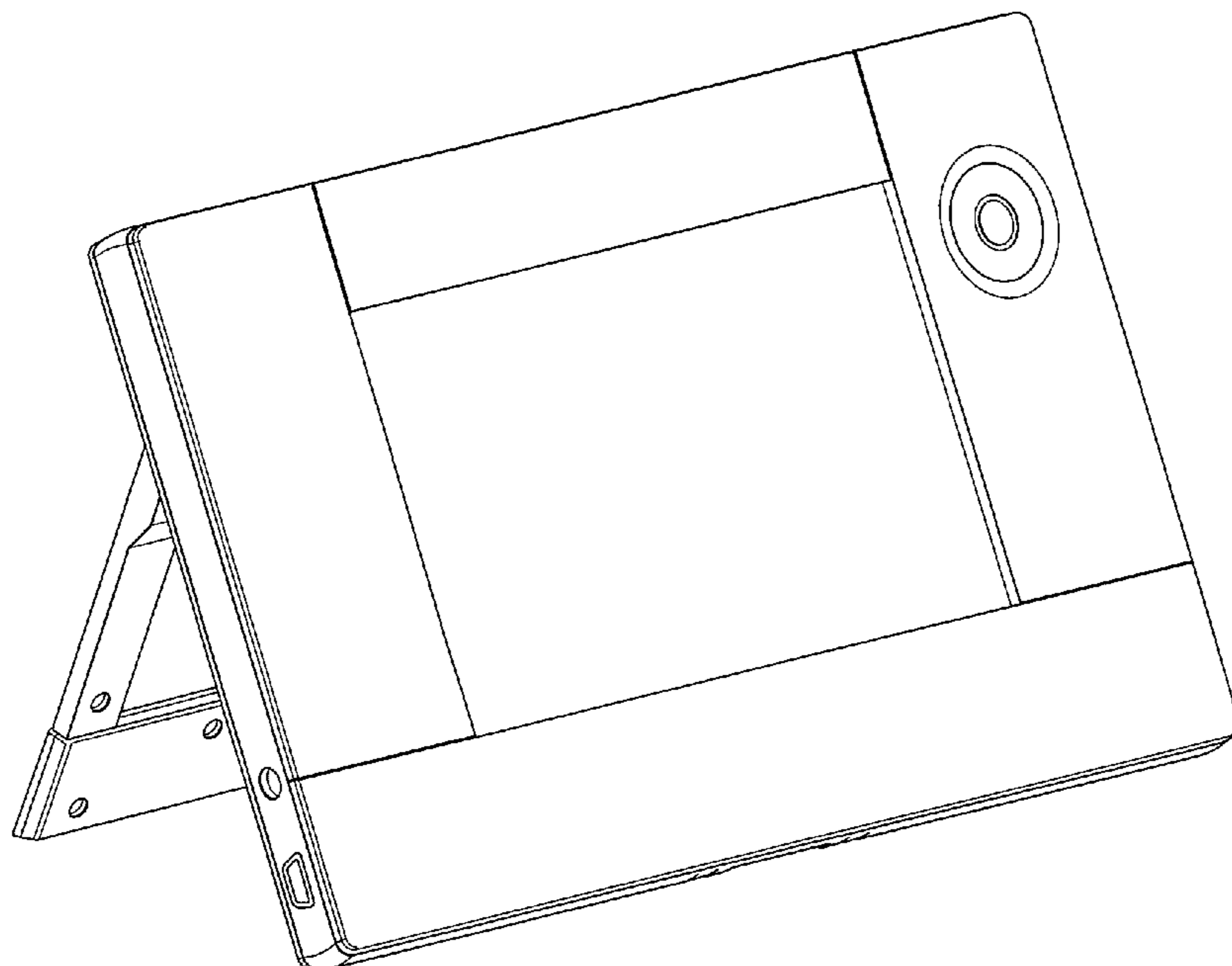
FIG. 9 is a first rear perspective of the touch panel shown in FIG. 1 depicting an extended support member;

FIG. 10 is a second rear perspective of the touch panel shown in FIG. 1 depicting the extended support member;

FIG. 11 is a first front perspective of the touch panel shown in FIG. 1 partially depicting the extended support member; and,

FIG. 12 is a second front perspective of the touch panel shown in FIG. 1 partially depicting the extended support member.

1 Claim, 6 Drawing Sheets



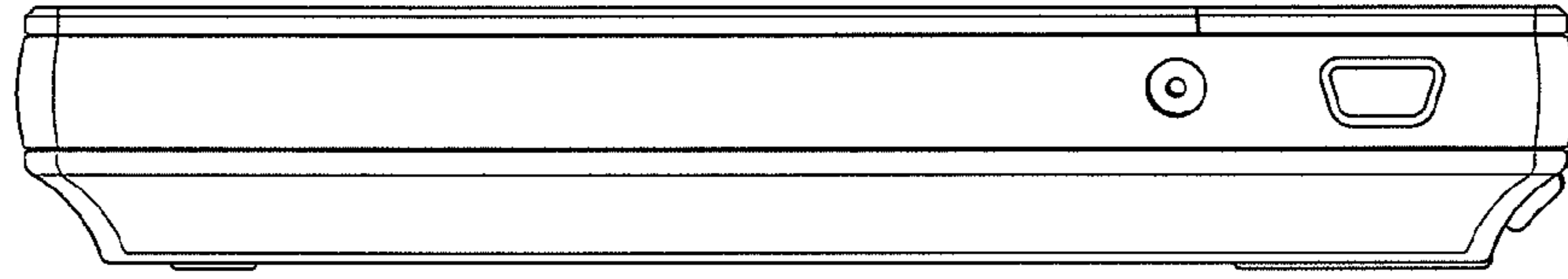


FIG. 2

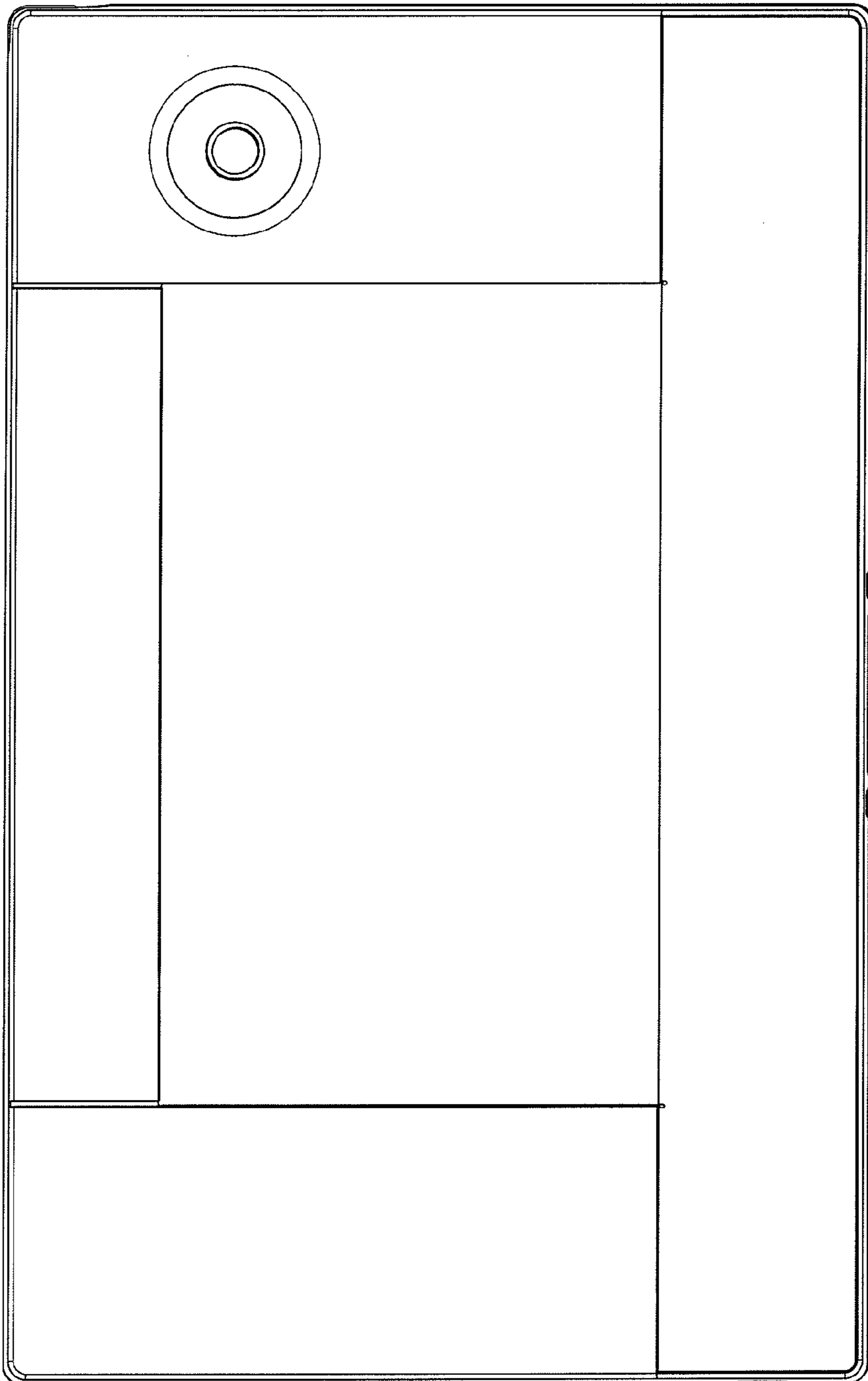


FIG. 1

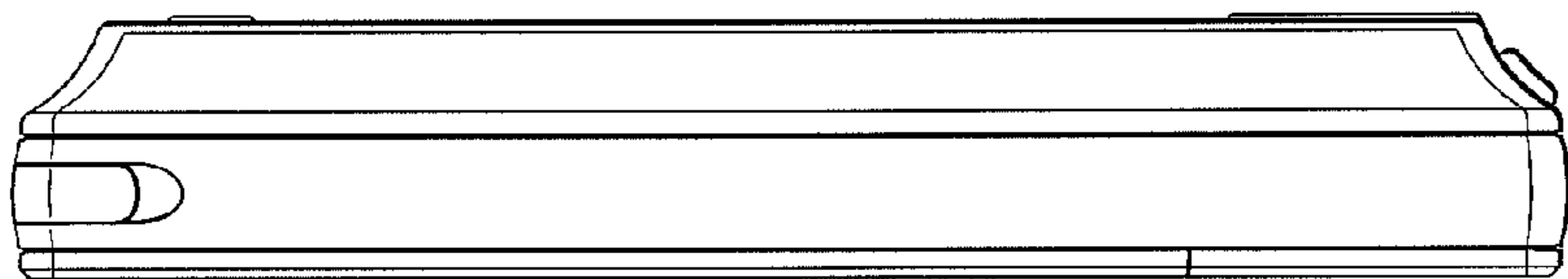


FIG. 3

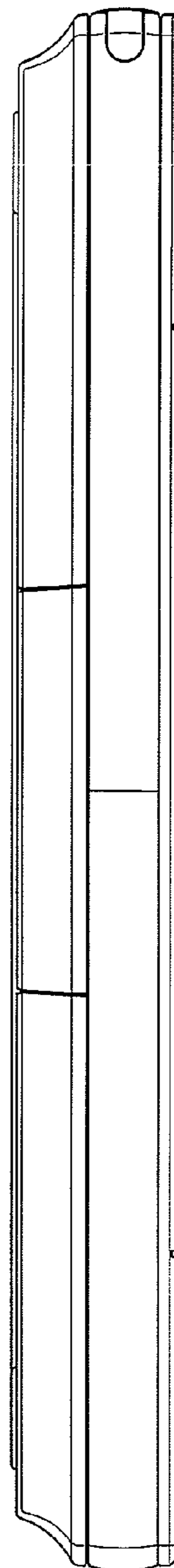


FIG. 4

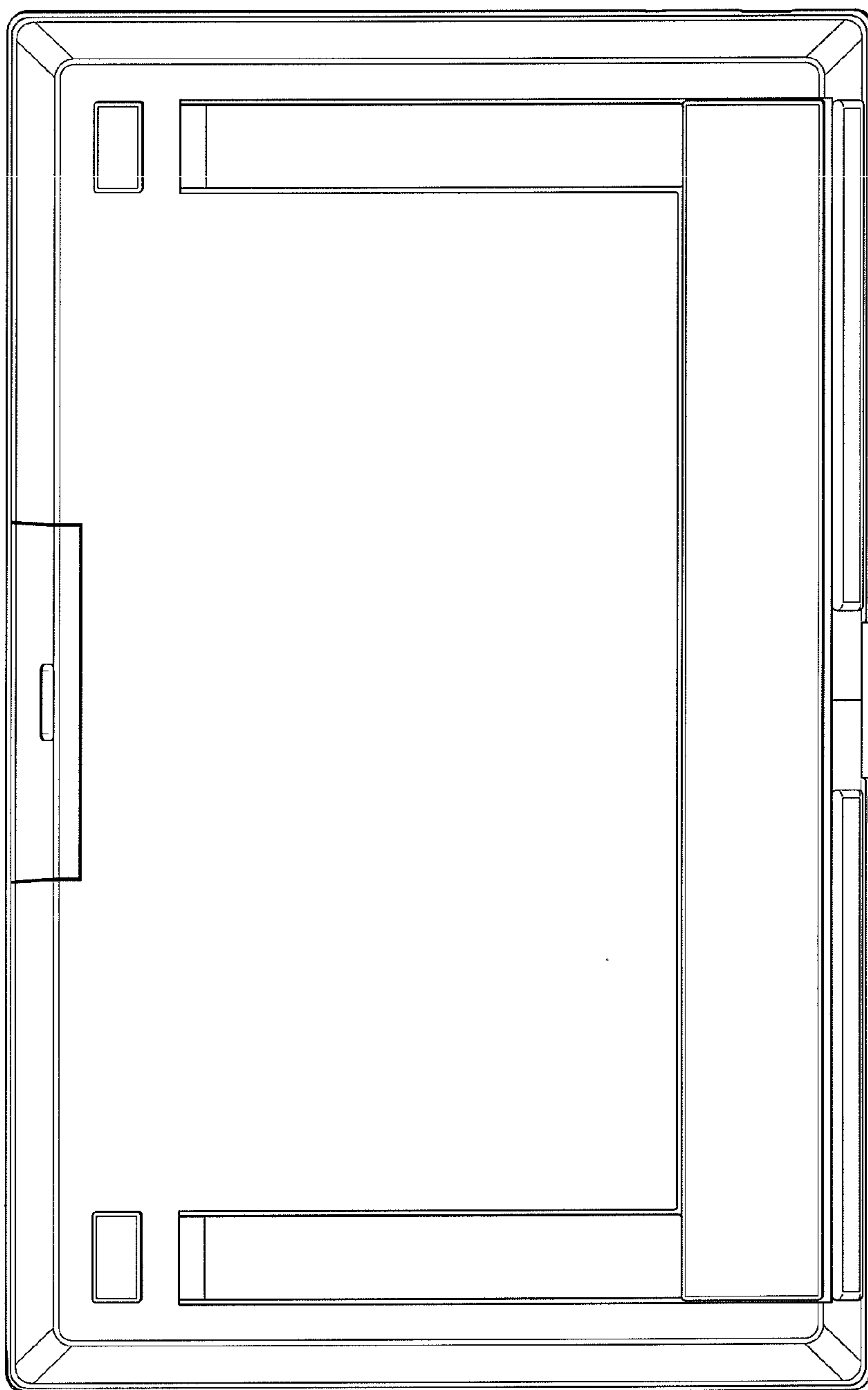


FIG. 5

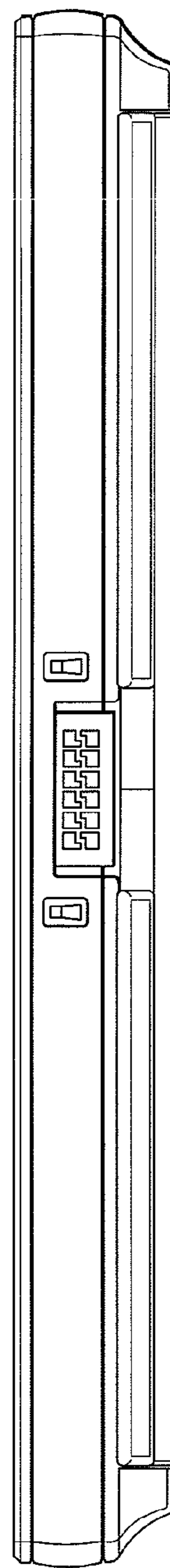


FIG. 6

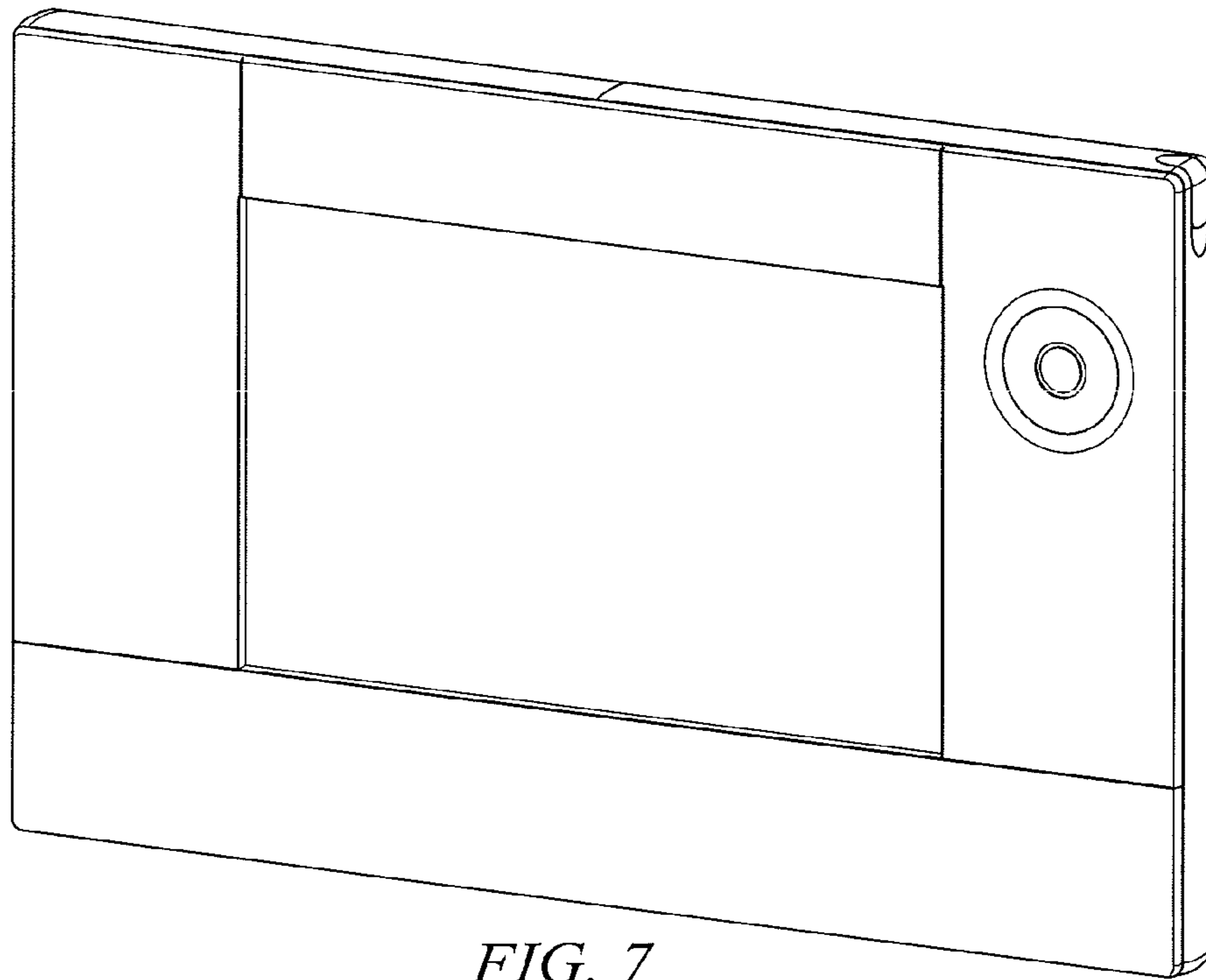


FIG. 7

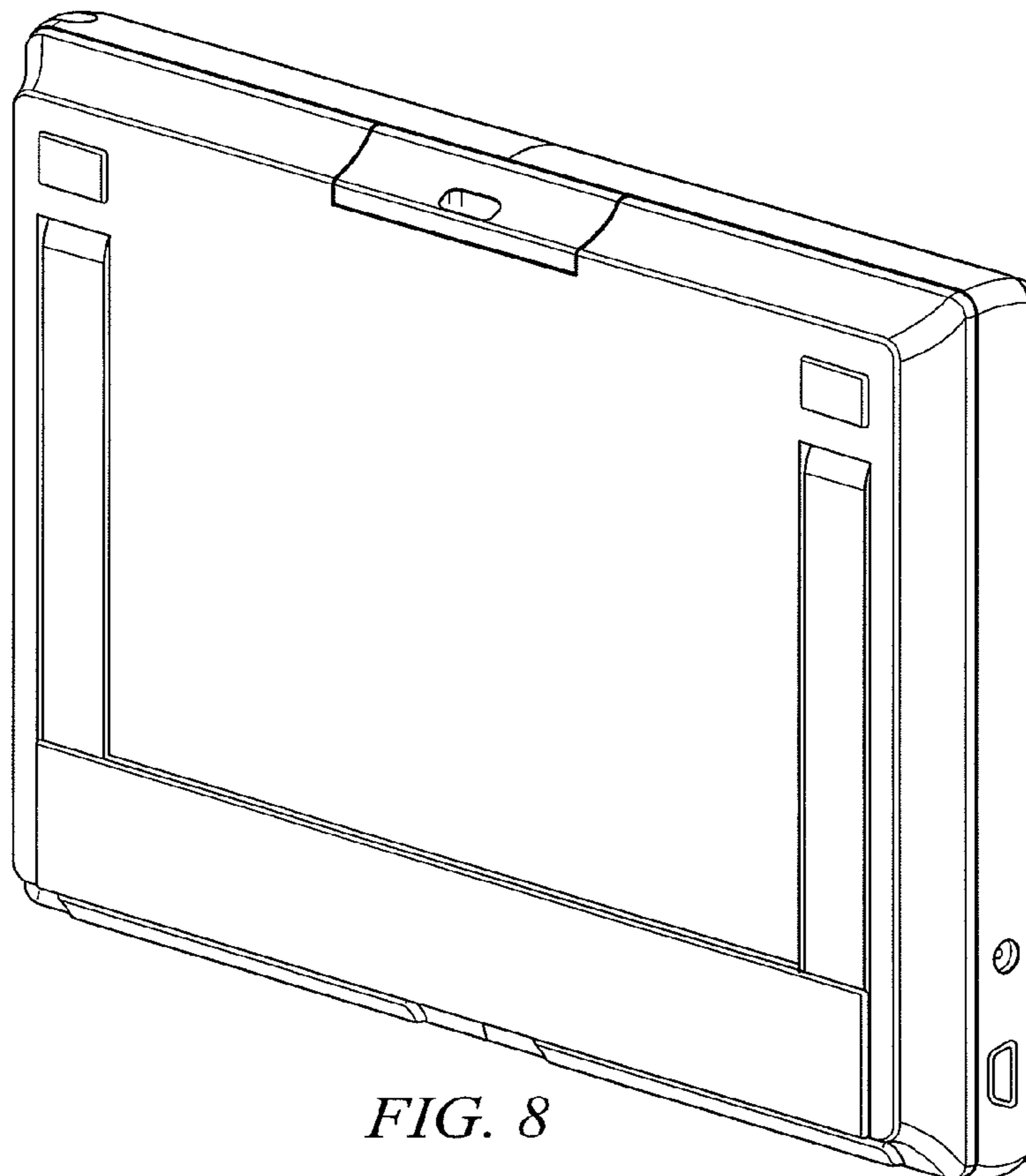


FIG. 8

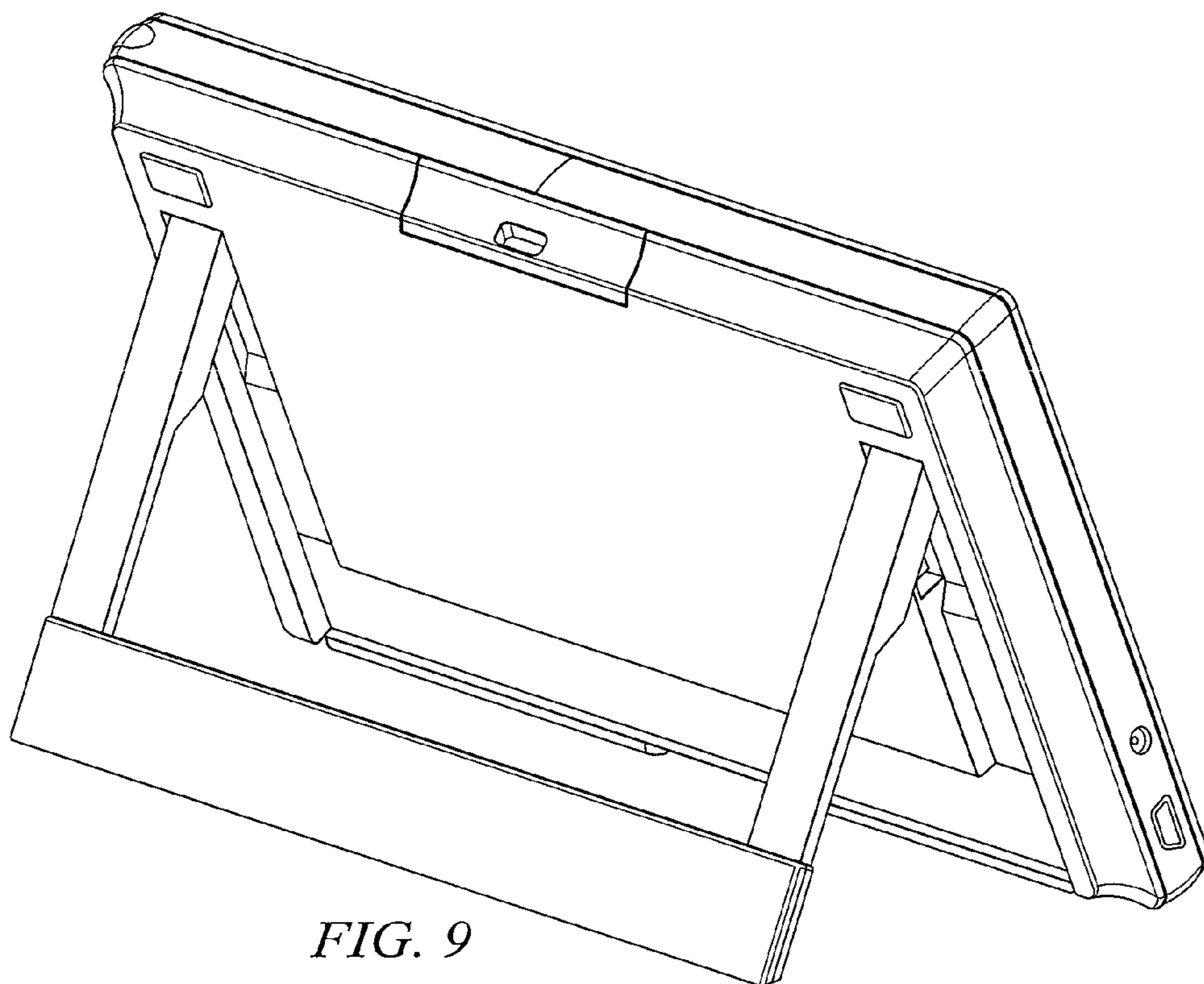


FIG. 9

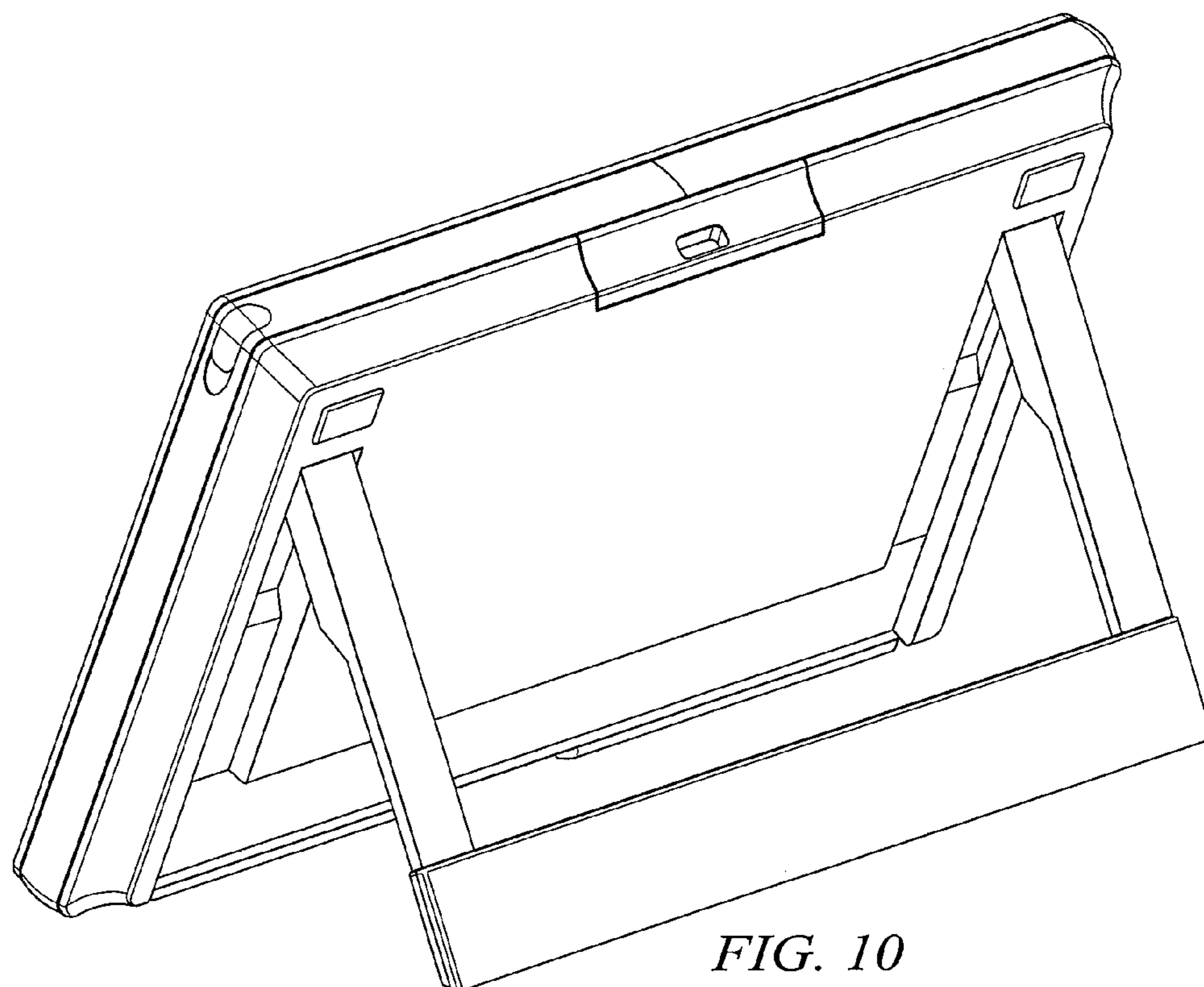


FIG. 10

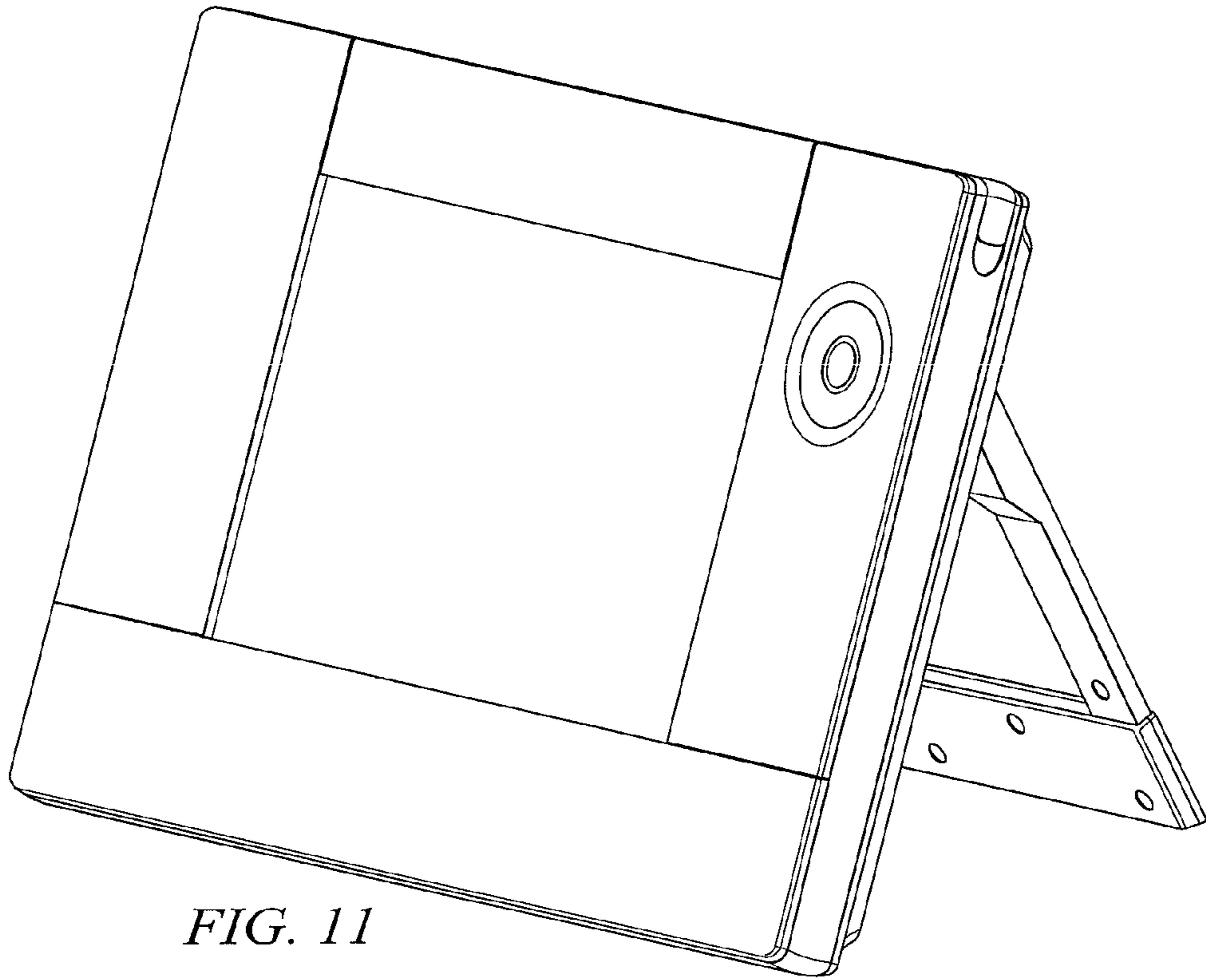


FIG. 11

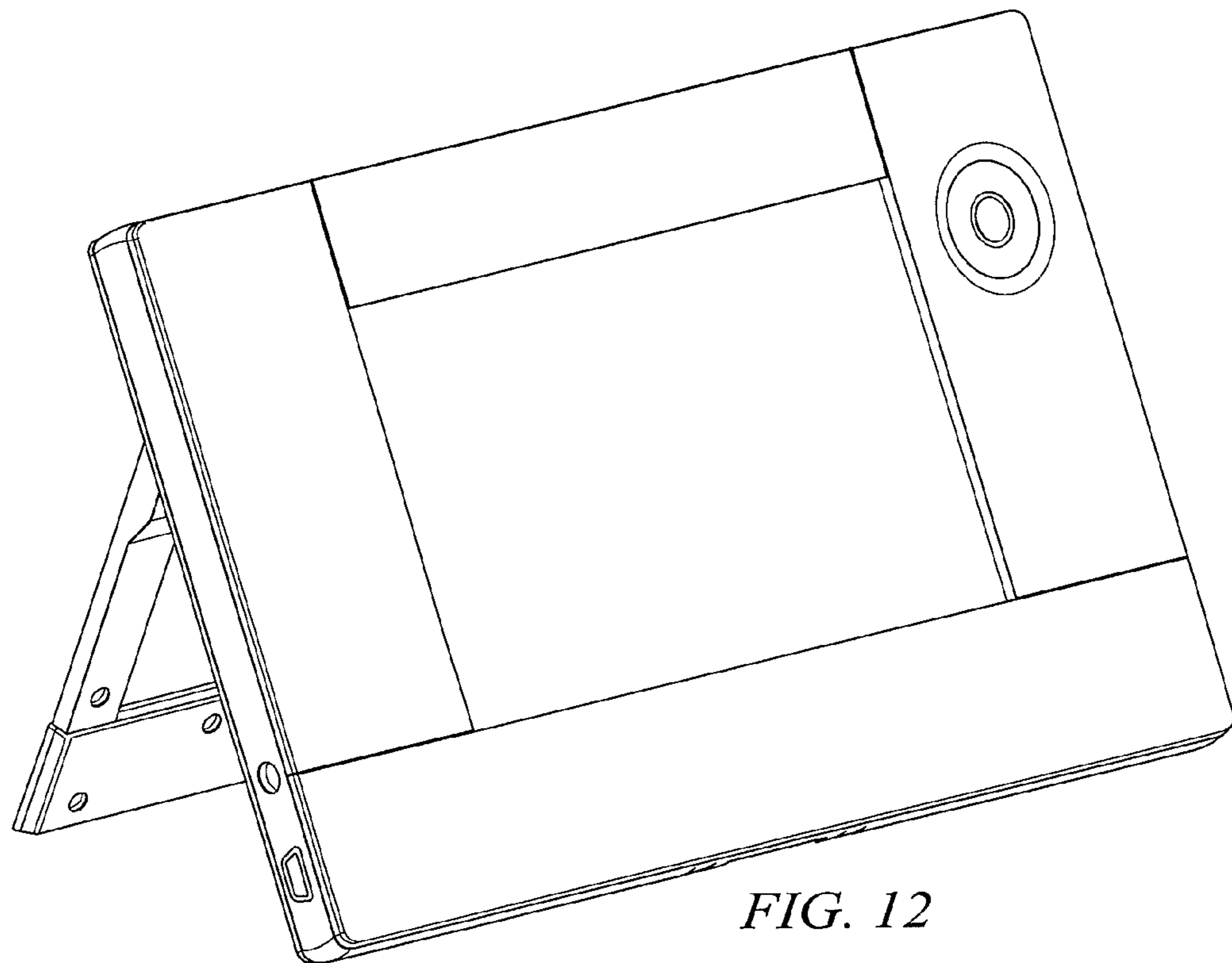


FIG. 12