



US00D587260S

(12) **United States Design Patent**
Marsh et al.

(10) **Patent No.:** **US D587,260 S**

(45) **Date of Patent:** **** Feb. 24, 2009**

(54) **ELECTRONIC DOCUMENT READER**

(75) Inventors: **Matthew Marsh**, London (GB); **Timon Botez**, London (GB); **Nicole Hodgkinson**, London (GB); **David Tonge**, London (GB)

(73) Assignee: **Plastic Logic Limited** (GB)

(**) Term: **14 Years**

(21) Appl. No.: **29/278,500**

(22) Filed: **Mar. 30, 2007**

(51) **LOC (9) Cl.** **14-02**

(52) **U.S. Cl.** **D14/341**

(58) **Field of Classification Search** D14/125-129, D14/132, 341-346, 374, 387, 399; D18/1, D18/2, 4.1, 4.4, 7, 11; D19/26, 59, 60; D21/329, D21/324; 178/18.01, 18.03; 235/145 A, 235/145 R; 248/917-924; 33/443; 341/12, 341/22, 23; 345/104, 156, 168, 169, 172, 345/173, 179, 672; 348/180, 184, 325, 739, 348/837; 349/1, 11, 12, 2, 62; 361/680-686; 434/307 R, 308, 309, 317

See application file for complete search history.

(56) **References Cited**

U.S. PATENT DOCUMENTS

D361,754	S	*	8/1995	Jambhekar et al.	D14/345
D395,454	S	*	6/1998	Hayashi	D20/10
5,815,127	A	*	9/1998	Jacobs et al.	345/1.2
D534,909	S	*	1/2007	Weiher et al.	D14/356
D541,785	S	*	5/2007	Hwang et al.	D14/138 G

D569,837	S	*	5/2008	Baik et al.	D14/138 G
D575,760	S	*	8/2008	Kim et al.	D14/138
2002/0105780	A1	*	8/2002	Liu	361/687
2005/0052831	A1	*	3/2005	Chen	361/680

* cited by examiner

Primary Examiner—Cathron C Brooks

Assistant Examiner—Barbara Fox

(74) *Attorney, Agent, or Firm*—Knobbe, Martens, Olson & Bear, LLP

(57) **CLAIM**

The ornamental design for an electronic document reader, as shown and described.

DESCRIPTION

FIG. 1 is a front elevational view of an electronic document reader of the present design;

FIG. 2 is a rear elevational view of the electronic document reader of FIG. 1;

FIG. 3 is a top side elevational view of the electronic document reader of FIG. 1;

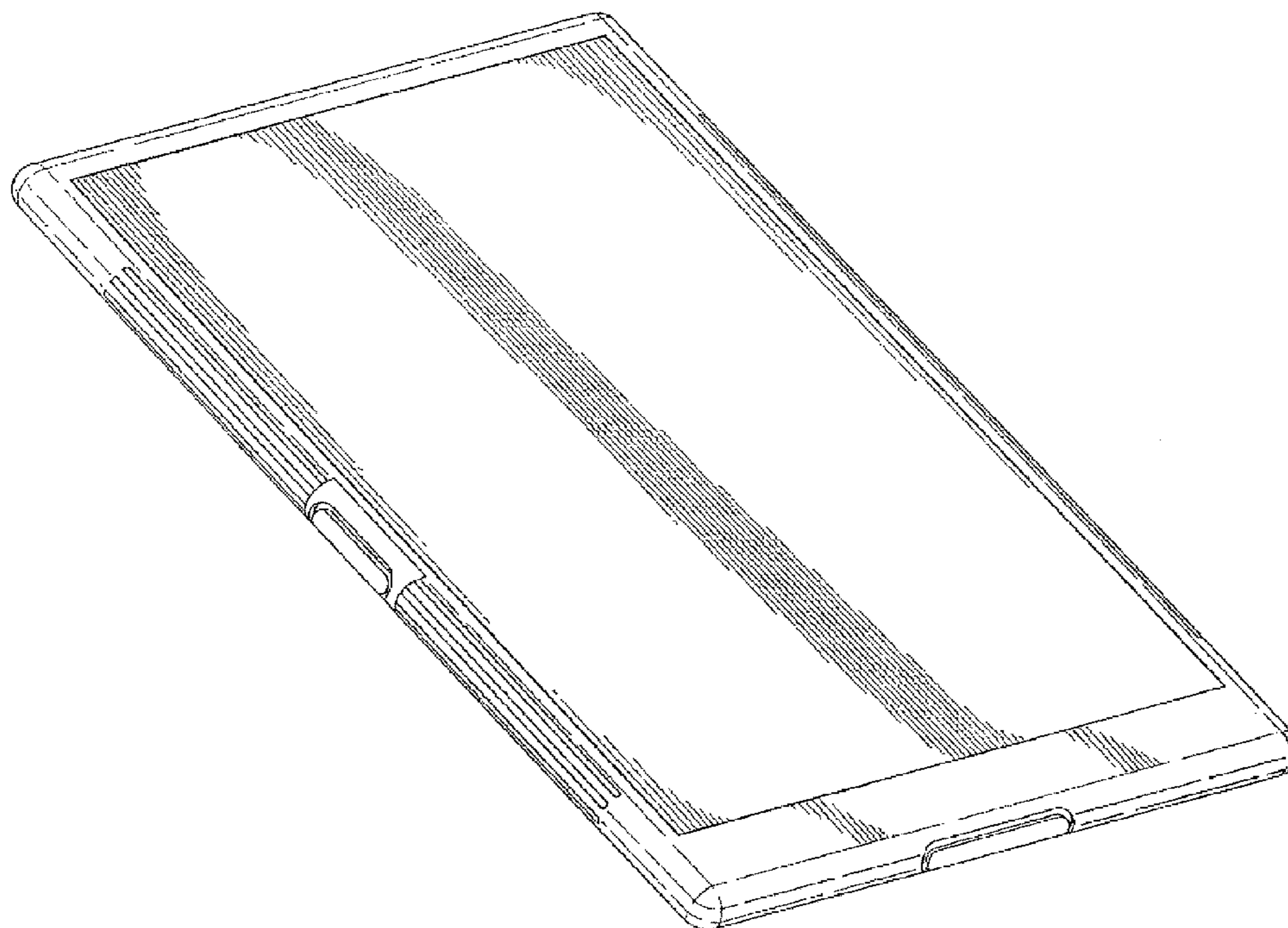
FIG. 4 is a bottom side elevational view of the electronic document reader of FIG. 1;

FIG. 5 is a left side elevational view of the electronic document reader of FIG. 1;

FIG. 6 is a right side elevational view of the electronic document reader of FIG. 1; and,

FIG. 7 is a front, bottom side, and left side perspective view of the electronic document reader of FIG. 1.

1 Claim, 4 Drawing Sheets



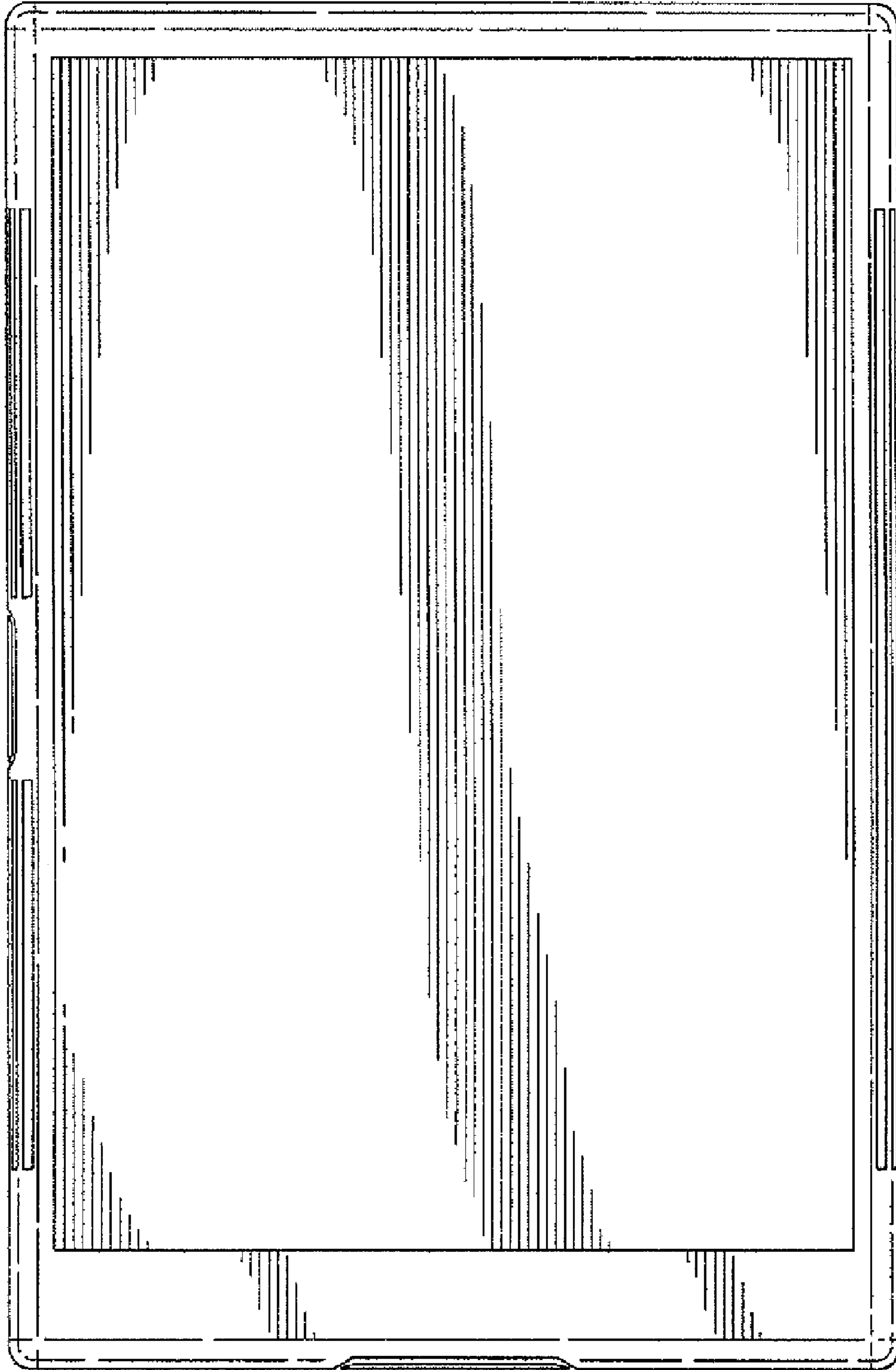


Fig.1

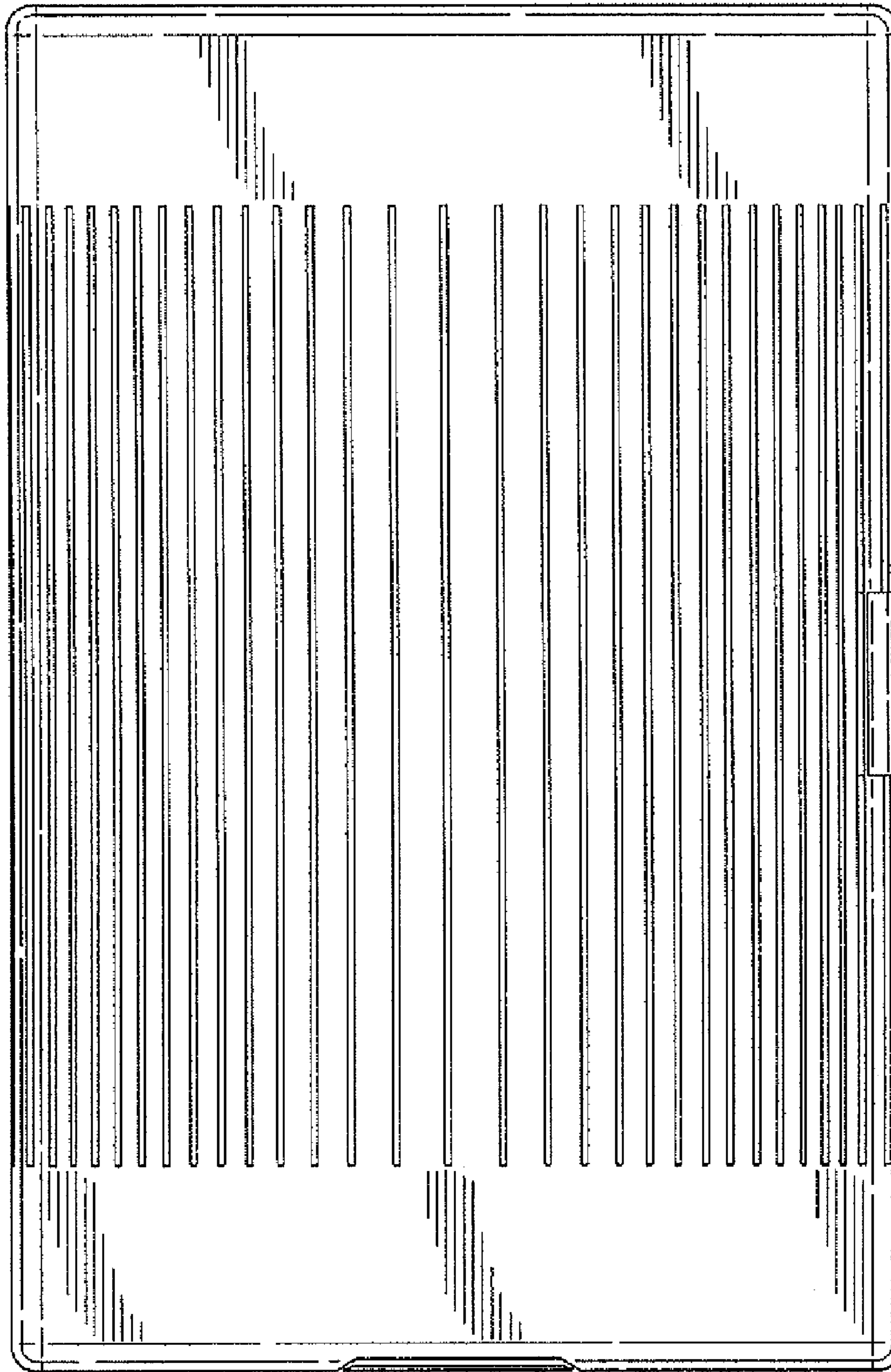


Fig.2

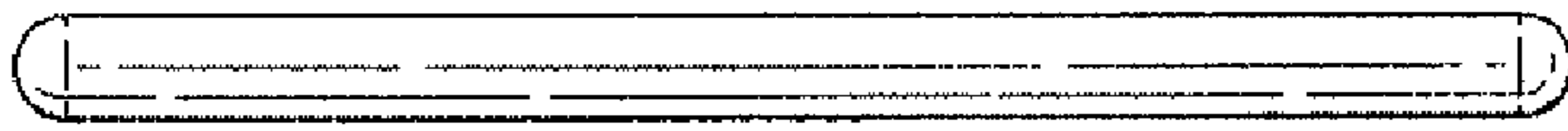


Fig.3

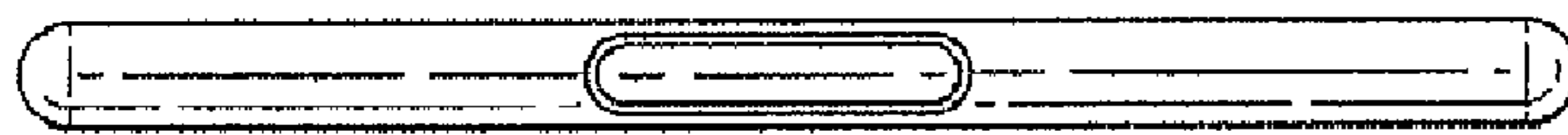


Fig.4



Fig.5

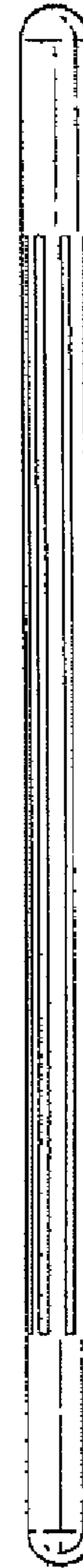


Fig.6

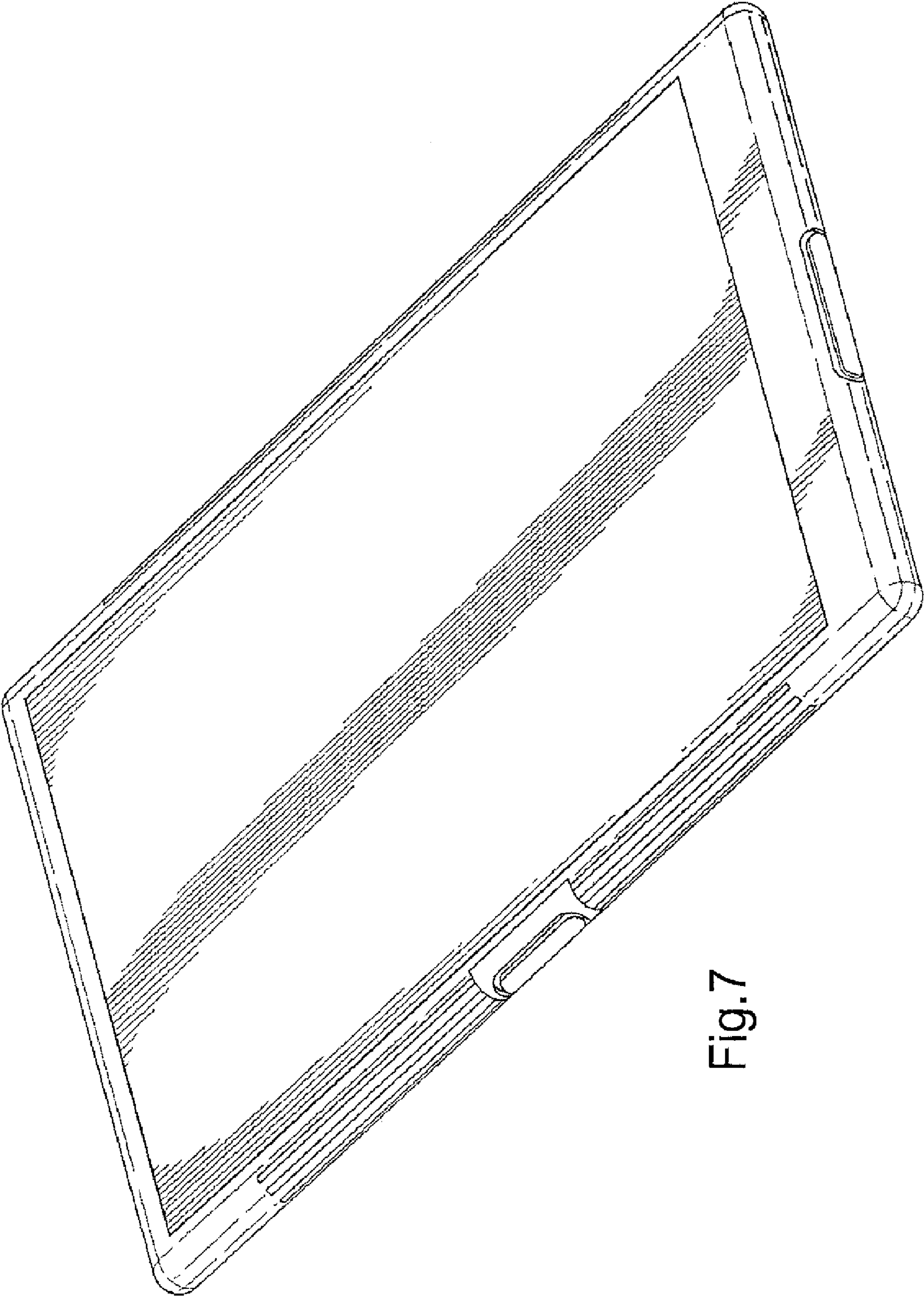


Fig. 7

UNITED STATES PATENT AND TRADEMARK OFFICE
CERTIFICATE OF CORRECTION

PATENT NO. : Des. 587,260 S
APPLICATION NO. : 29/278500
DATED : February 24, 2009
INVENTOR(S) : Matthew Marsh et al.

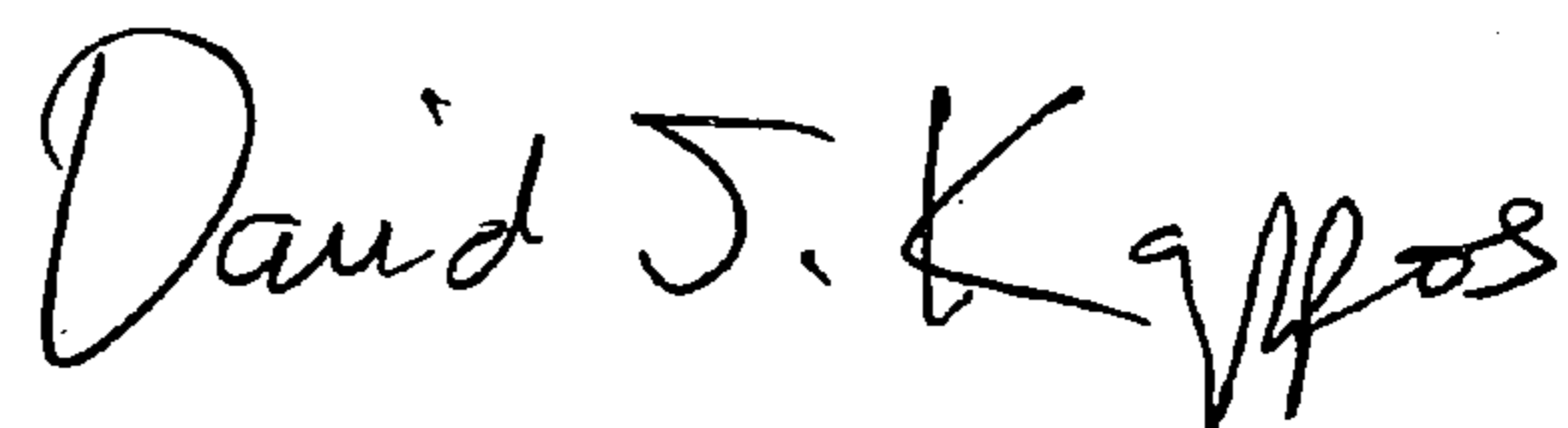
Page 1 of 1

It is certified that error appears in the above-identified patent and that said Letters Patent is hereby corrected as shown below:

Title page, under Item (22) "Filed," insert -- (30) Foreign Application Priority Data,
Feb 7, 2007 (EM) 000670252 -- therefor.

Signed and Sealed this

Thirtieth Day of November, 2010

A handwritten signature in black ink that reads "David J. Kappos". The signature is written in a cursive, flowing style.

David J. Kappos
Director of the United States Patent and Trademark Office