



US00D587259S

(12) **United States Design Patent**
Hamaguchi et al.

(10) **Patent No.:** **US D587,259 S**

(45) **Date of Patent:** **** Feb. 24, 2009**

(54) **COMPUTER**

D544,477 S * 6/2007 Tsuzuki et al. D14/300
D556,747 S * 12/2007 Wang D14/300

(75) Inventors: **Hiroyuki Hamaguchi**, Tokyo (JP);
Keisuke Nakayama, Yamanashi (JP);
Tetsuya Nagata, Tokyo (JP)

FOREIGN PATENT DOCUMENTS

(73) Assignee: **NEC Corporation**, Tokyo (JP)

DE	40407038.8	12/2004
FR	04 5679	5/2005
FR	04 5680	5/2005
GB	3019672	12/2004
GB	3019676	12/2004
JP	1239443	5/2005
JP	1239637	5/2005

(**) Term: **14 Years**

* cited by examiner

(21) Appl. No.: **29/303,992**

Primary Examiner—Freda S Nunn

(22) Filed: **Feb. 22, 2008**

(74) *Attorney, Agent, or Firm*—Seyfarth Shaw LLP

(30) **Foreign Application Priority Data**

Oct. 24, 2007 (JP) 2007-029249

(57) **CLAIM**

(51) **LOC (9) Cl.** **14-02**

The ornamental design for the computer, as shown and described.

(52) **U.S. Cl.** **D14/300; D14/349**

(58) **Field of Classification Search** D14/300–302,
D14/308–314, 348–369; D13/162, 184,
D13/199; 312/223.1–223.3; 360/99.01–99.12;
361/680–686, 690–696; 369/34.01, 36.01
See application file for complete search history.

DESCRIPTION

FIG. 1 is a perspective view of the computer showing our new design;

(56) **References Cited**

U.S. PATENT DOCUMENTS

6,407,910	B1 *	6/2002	Diaz et al.	361/683
6,549,397	B1 *	4/2003	Diaz et al.	361/683
D477,315	S *	7/2003	Lee	D14/301
D484,500	S *	12/2003	Matsuoka	D14/310
D495,696	S *	9/2004	Peng et al.	D14/349
D511,159	S *	11/2005	Su et al.	D14/300
D519,996	S	5/2006	Tsuzuki et al.	
D523,427	S	6/2006	Tsuzuki et al.	

FIG. 2 is a front elevational view thereof;

FIG. 3 is a rear elevational view thereof;

FIG. 4 is a left-side elevational view of thereof;

FIG. 5 is a right-side elevational view thereof;

FIG. 6 is a top plan view thereof;

FIG. 7 is a bottom plan view thereof; and,

FIG. 8 is a cross sectional view thereof taken along the line 8—8 of FIG. 2.

1 Claim, 8 Drawing Sheets

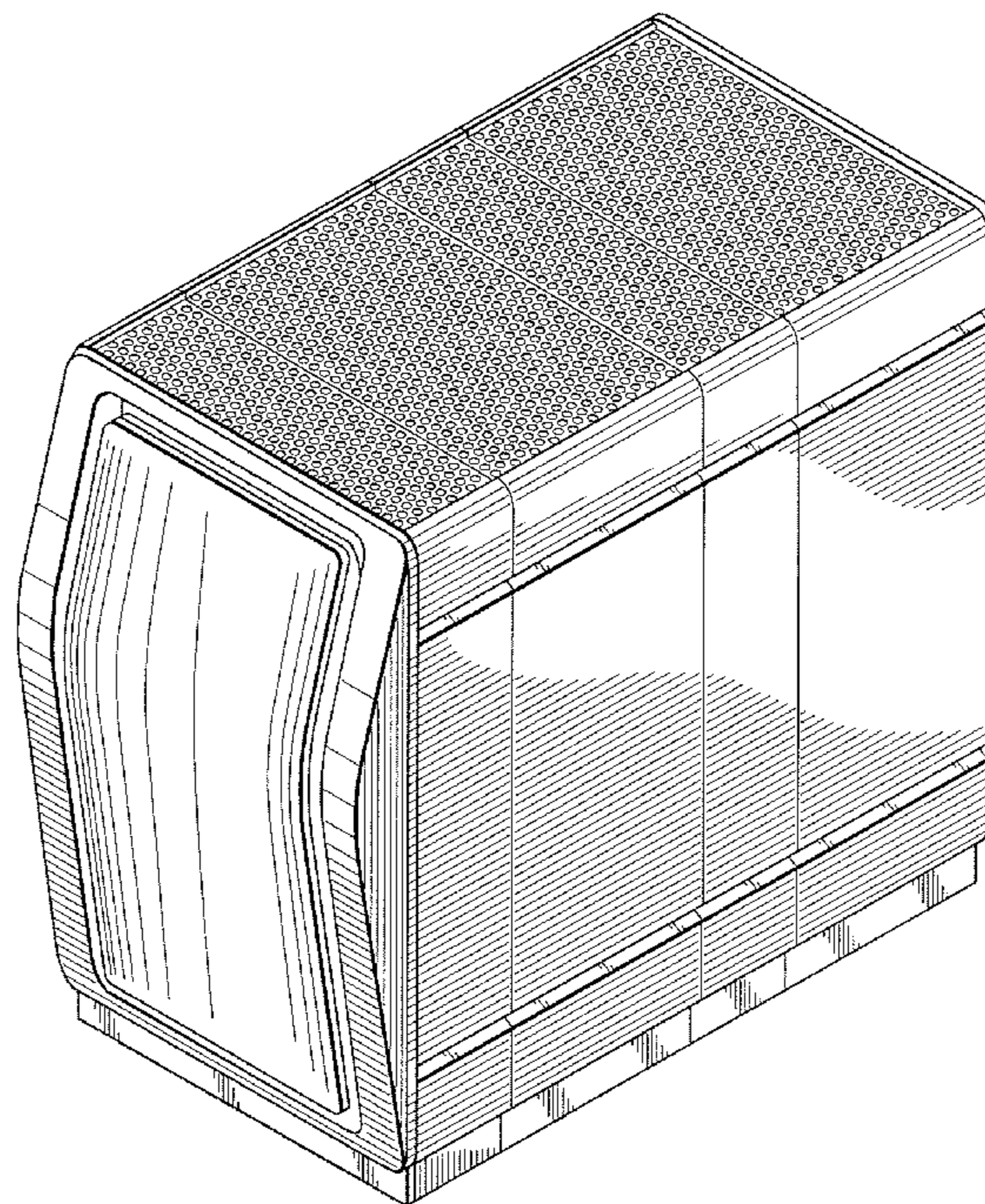


Fig. 1

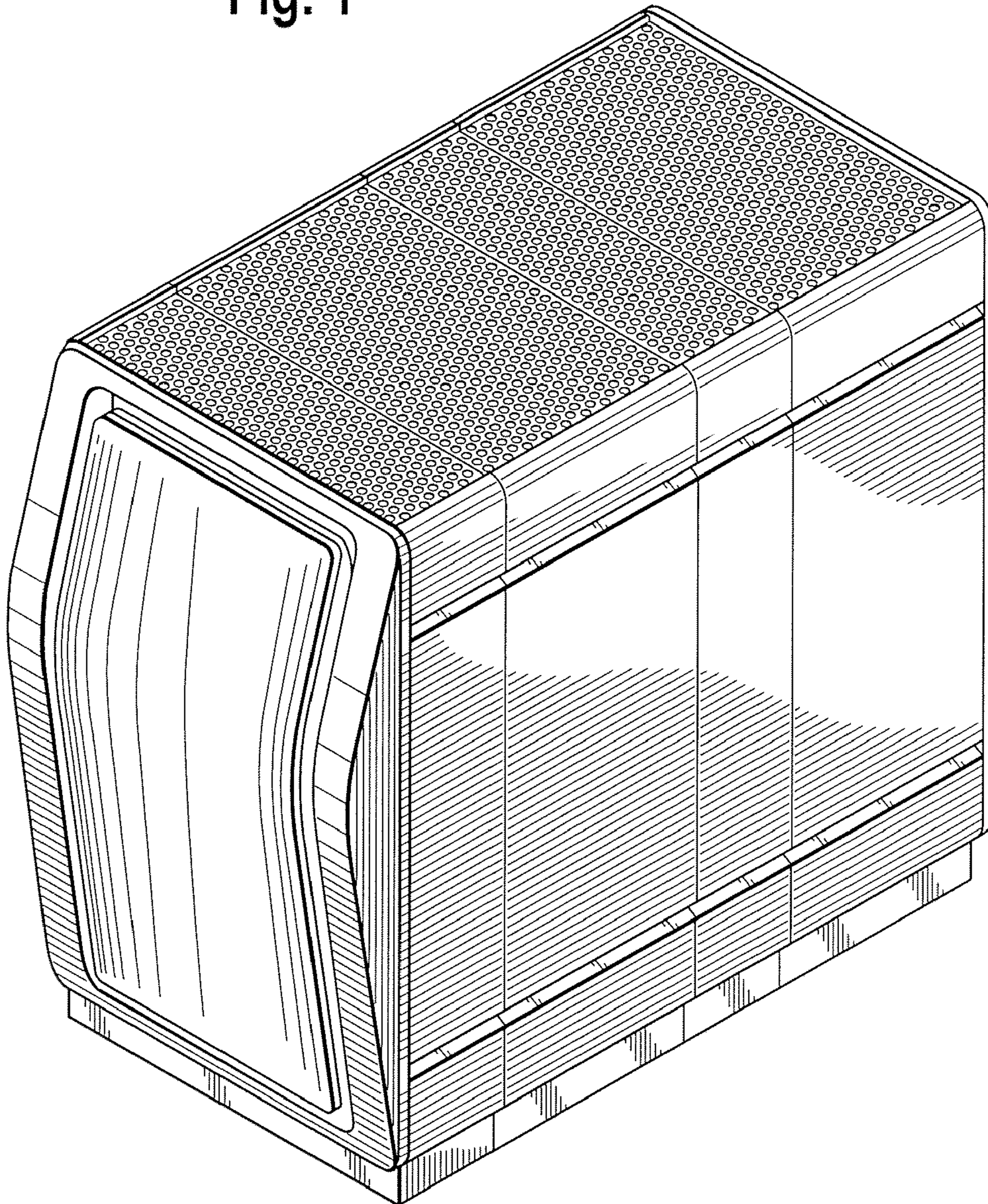
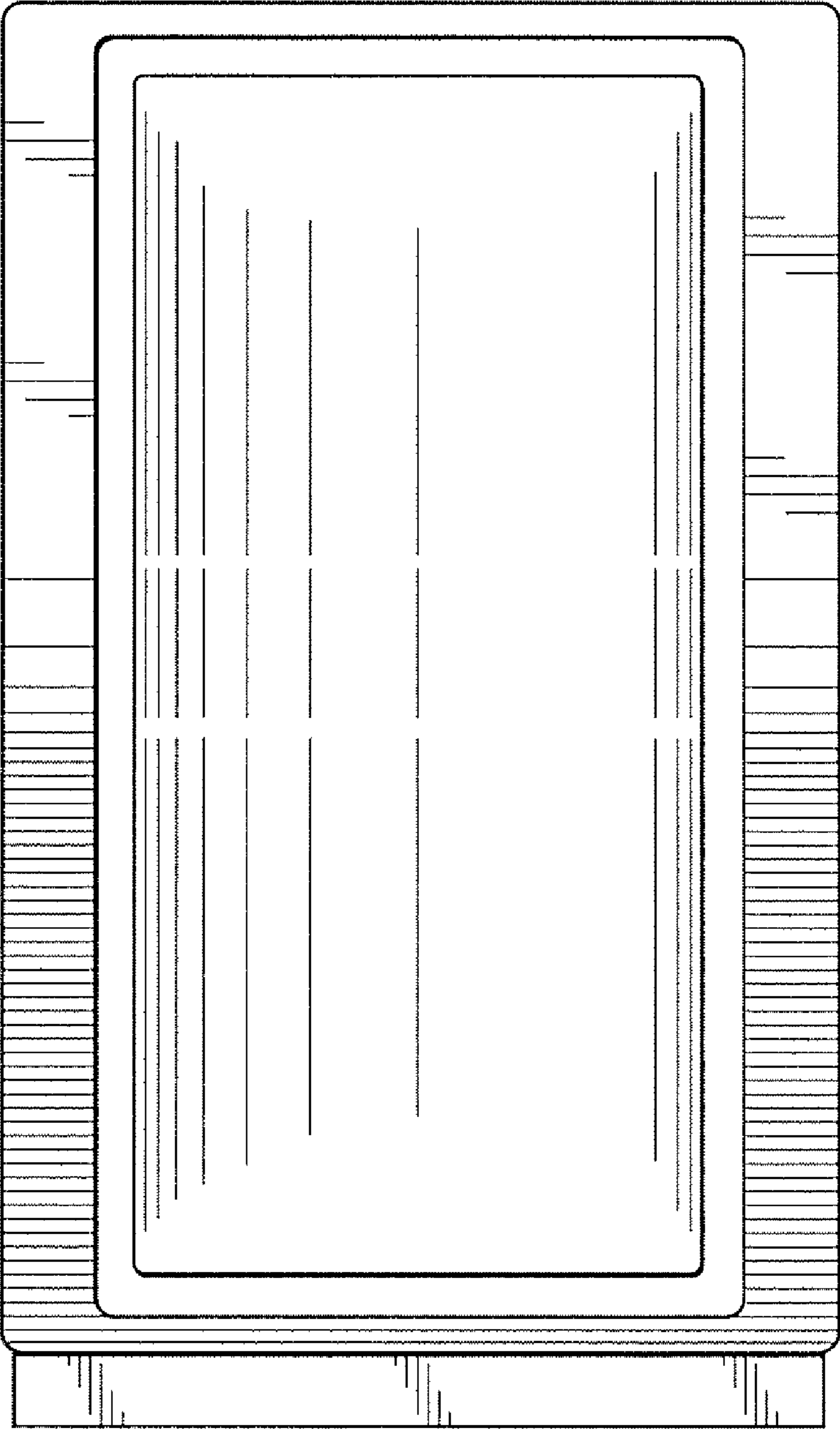


Fig. 2

8 ←



8 ←

Fig. 3



Fig. 4

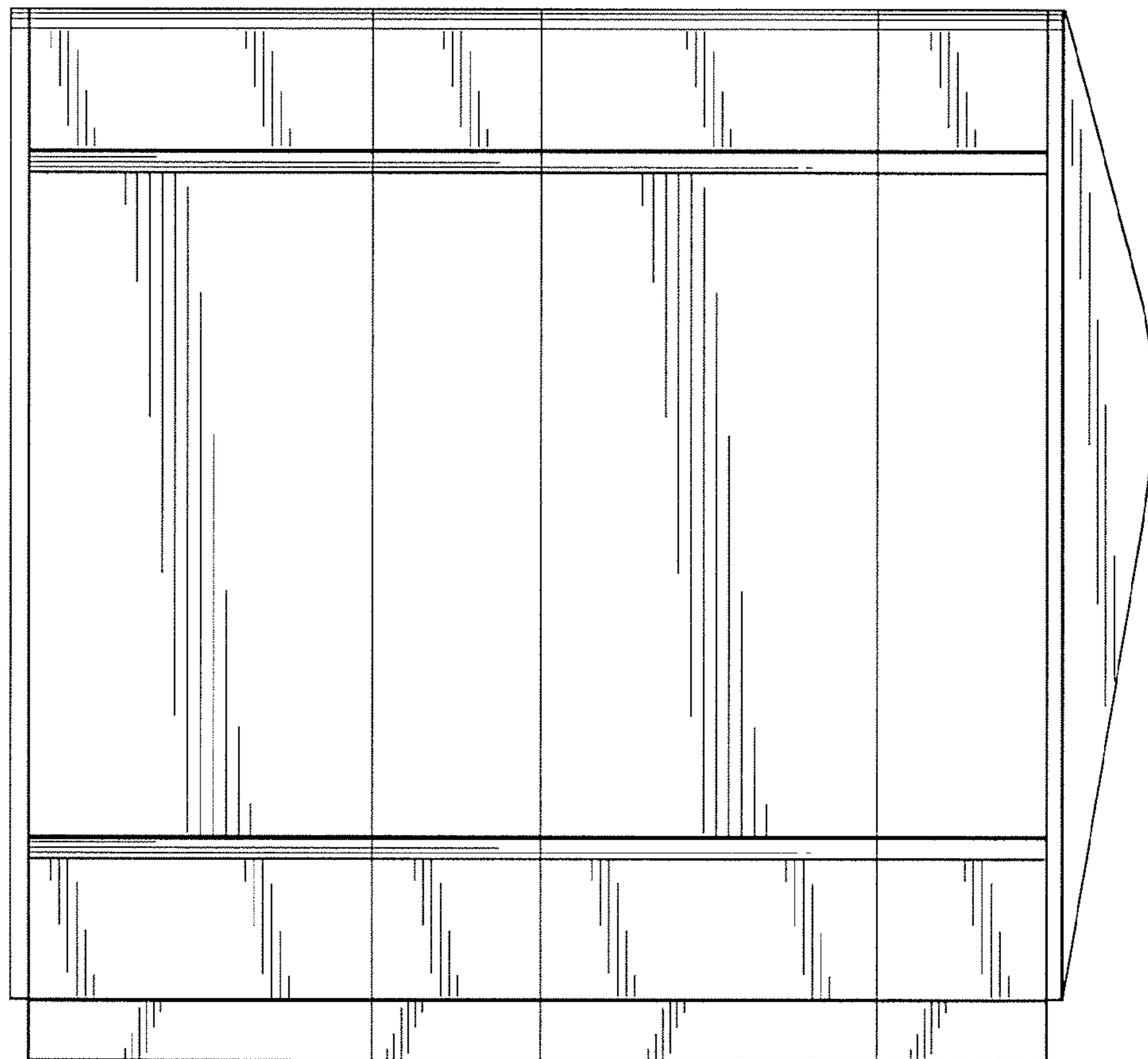


Fig. 5

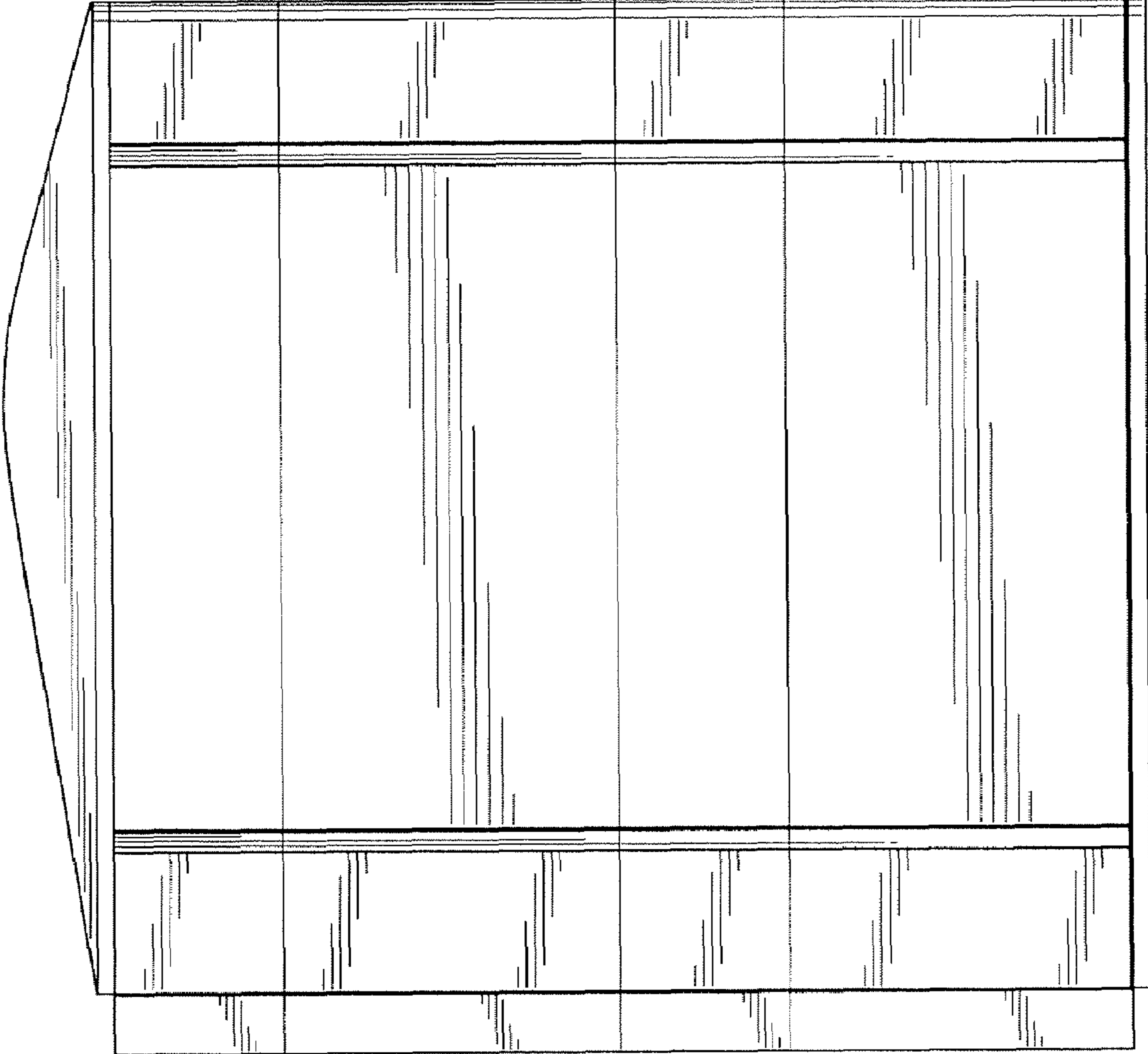


Fig. 6

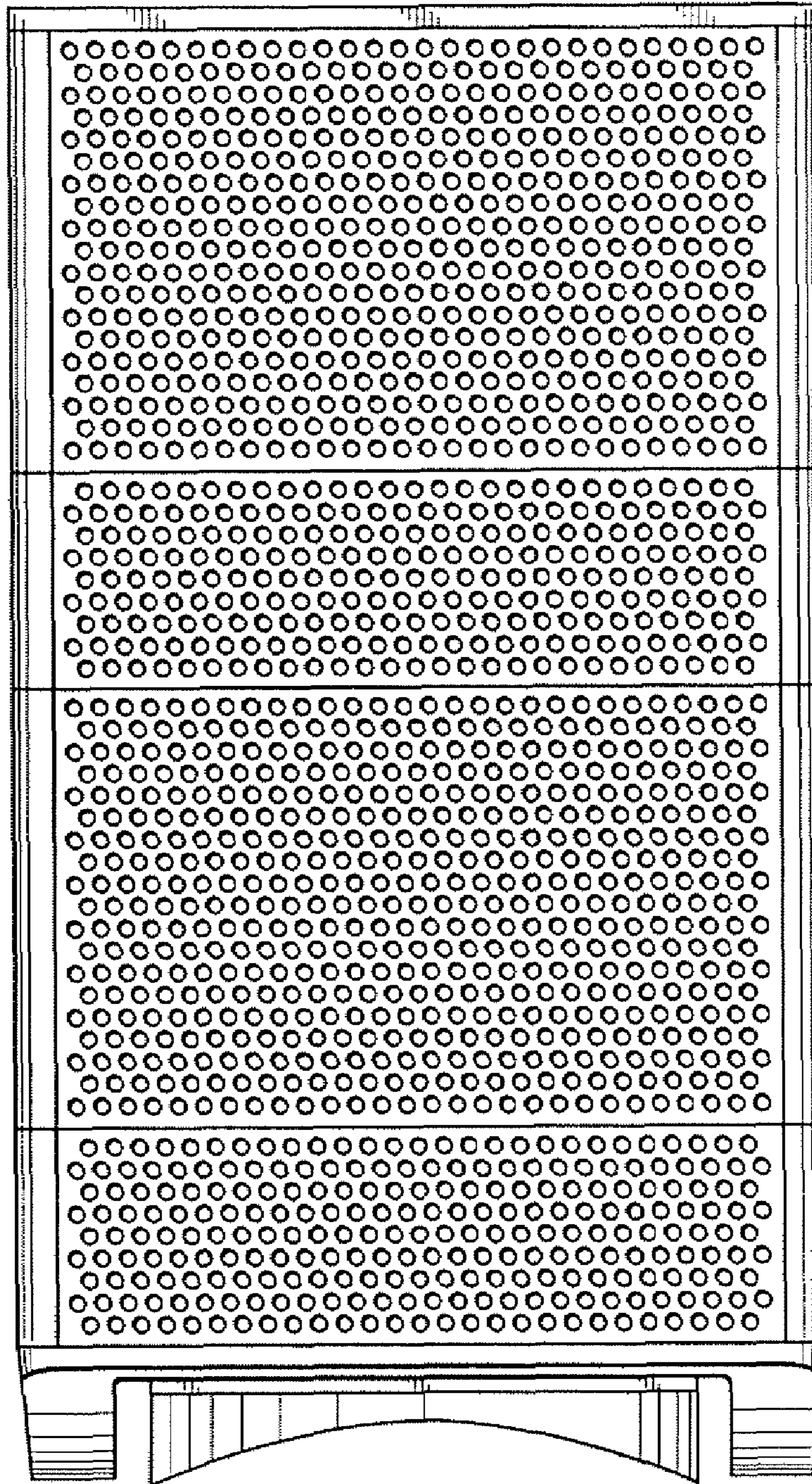


Fig. 7

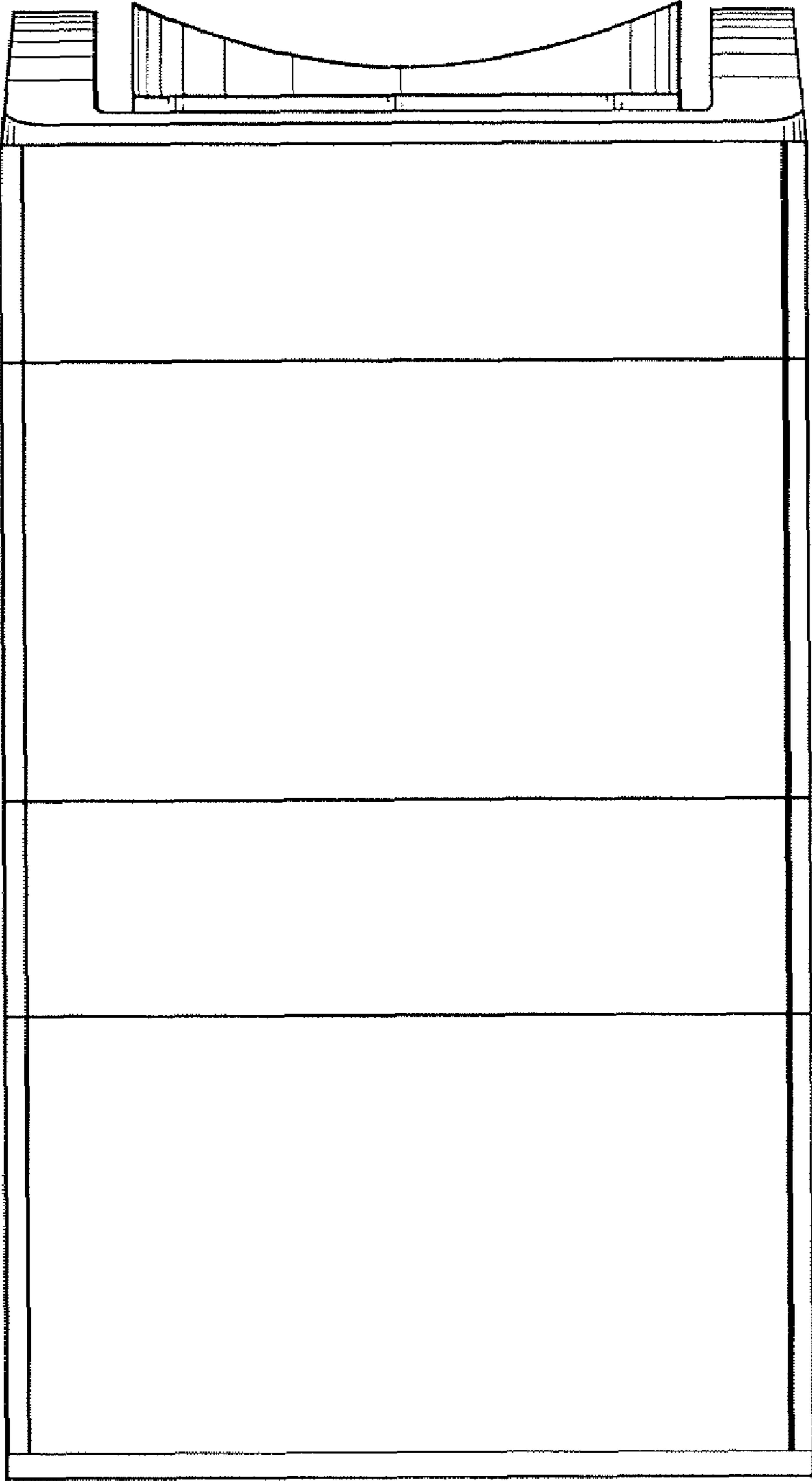


Fig. 8

