



US00D587258S

(12) **United States Design Patent**
Vaglica et al.

(10) **Patent No.:** **US D587,258 S**

(45) **Date of Patent:** **** Feb. 24, 2009**

(54) **MOUNTING SYSTEM FOR A DISPLAY**

(75) Inventors: **Dominic Vaglica**, Arlington Heights, IL (US); **Andy Whitley**, Lake in the Hills, IL (US)

(73) Assignee: **Peerless Industries, Inc.**, Melrose Park, IL (US)

(**) Term: **14 Years**

(21) Appl. No.: **29/319,929**

(22) Filed: **Jun. 17, 2008**

(51) **LOC (9) Cl.** **14-03**

(52) **U.S. Cl.** **D14/239**

(58) **Field of Classification Search** D14/125-134, D14/239, 371, 136, 374-377; D8/363, 373, D8/349, 394; 248/465, 917-924, 123.11; 348/825, 827, 836, 837, 838, 180, 184, 325, 348/739; 600/443; D6/477-479, 407, 474, D6/460, 461, 468; 312/7.2; 341/12; 345/87, 345/104, 133, 156, 168, 169, 173; 720/605, 720/669, 600, 655; 369/99, 197; 455/344-347; 349/1, 2, 11, 62; 108/59, 91, 92, 96; 211/40, 211/41.12, 42, 49.1, 50, 85.2, 90.04, 187, 211/190, 119.003, 134.153, 87.01, 71.01

See application file for complete search history.

(56) **References Cited**

U.S. PATENT DOCUMENTS

D276,612 S * 12/1984 McVicker et al. D14/451
5,632,463 A * 5/1997 Sung et al. 248/371

6,199,810 B1 * 3/2001 Wu et al. 248/291.1
D480,948 S * 10/2003 Patrizzi et al. D8/373
D489,377 S * 5/2004 van Kuijk D14/451
D495,713 S * 9/2004 Pfister et al. D14/451
D560,676 S * 1/2008 Wohlford et al. D14/451
D560,677 S * 1/2008 Wohlford et al. D14/451
D561,189 S * 2/2008 Wohlford et al. D14/451
D577,728 S * 9/2008 Sculler et al. D14/451

* cited by examiner

Primary Examiner—Raphael Barkai

Assistant Examiner—Randall H Gholson

(74) *Attorney, Agent, or Firm*—Foley & Lardner LLP

(57) **CLAIM**

We claim the ornamental design for a mounting system for a display, as shown and described.

DESCRIPTION

FIG. 1 is a perspective view of the mounting system for a display showing our new design;

FIG. 2 is a front view thereof;

FIG. 3 is a rear view thereof;

FIG. 4 is a right side view thereof;

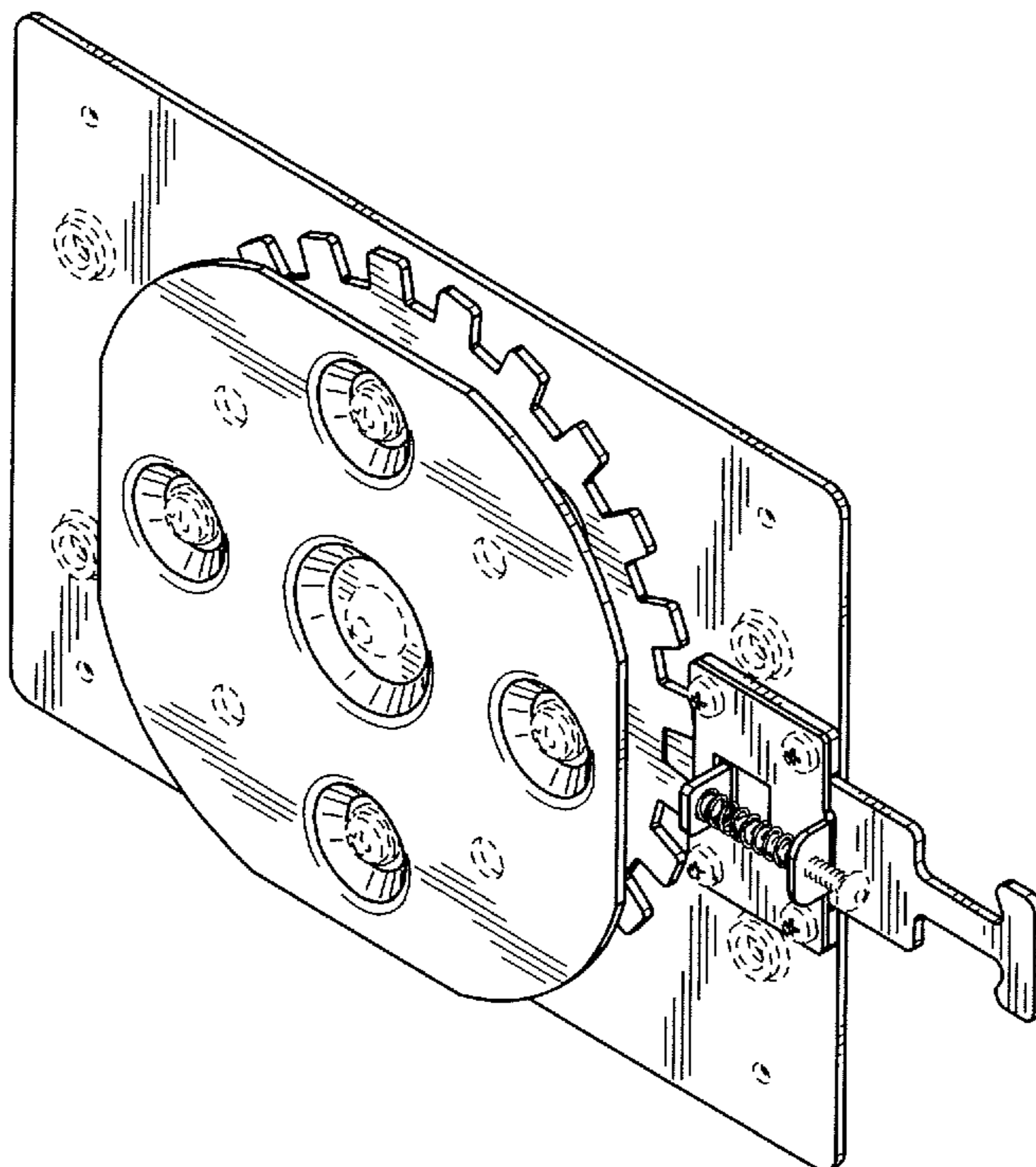
FIG. 5 is a left side view thereof;

FIG. 6 is a top plan view thereof; and,

FIG. 7 is a bottom view thereof.

The broken lines in the drawings are for illustrative purposes only and form no part of the claimed design.

1 Claim, 3 Drawing Sheets



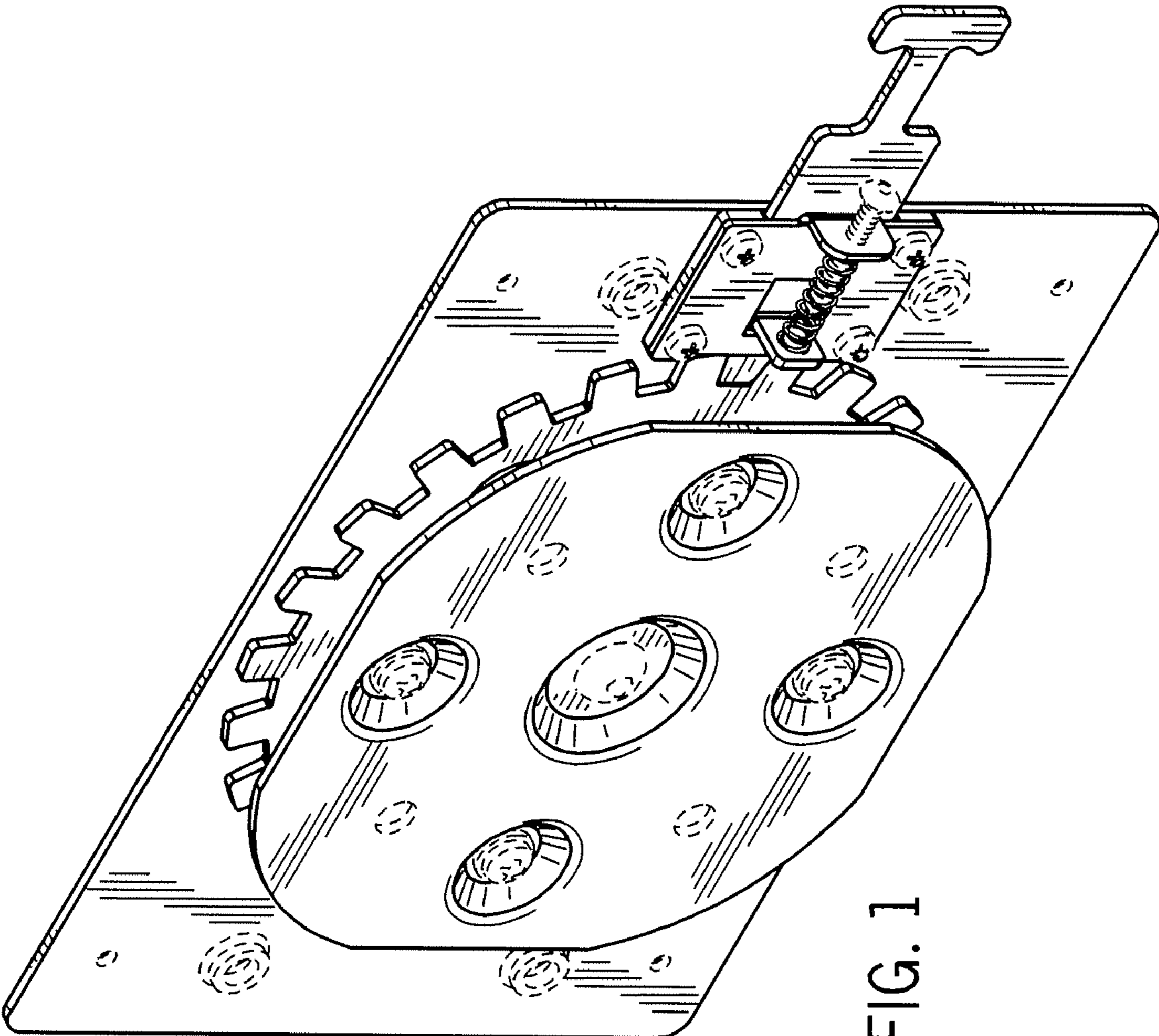


FIG. 1

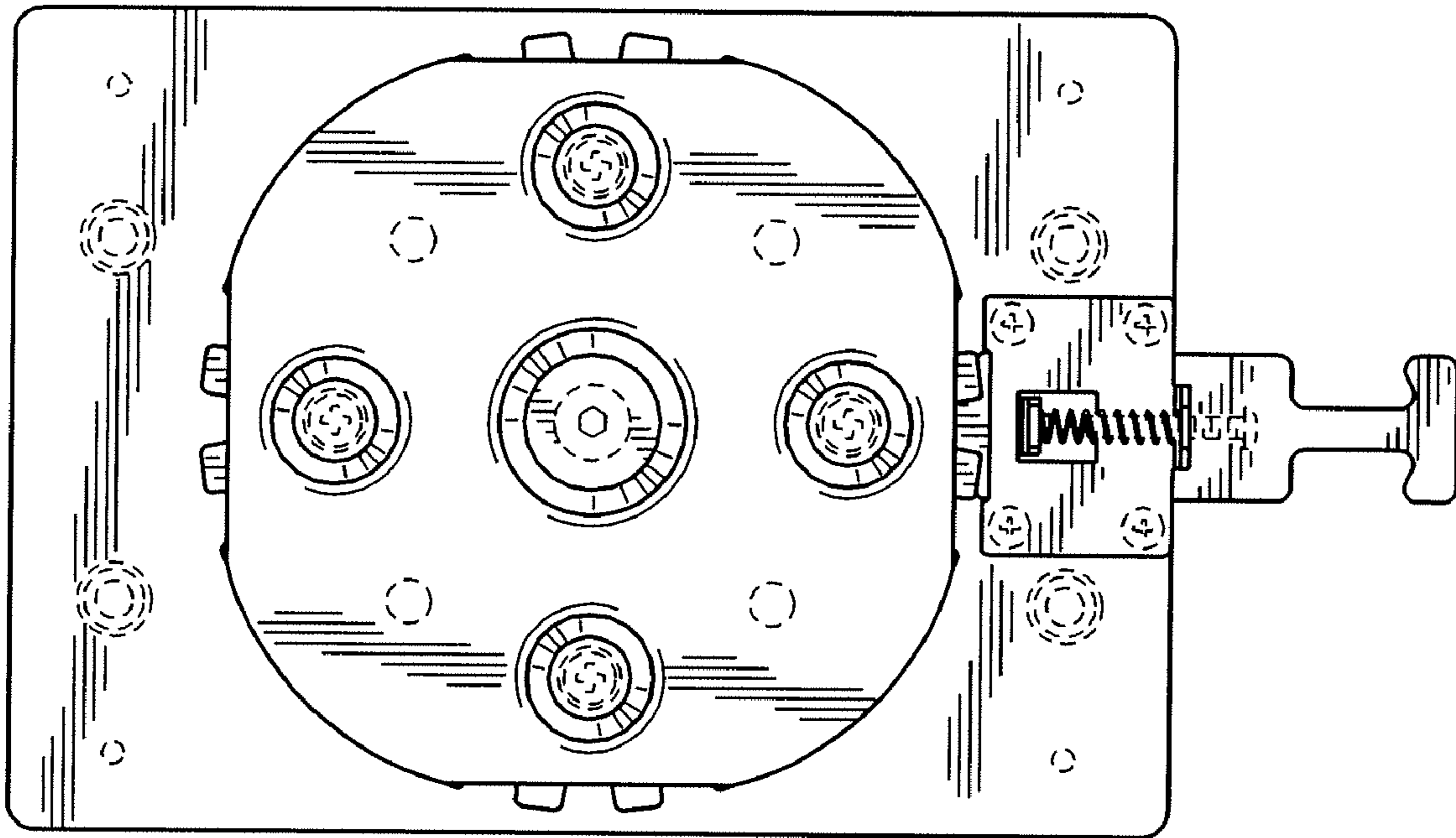


FIG. 2

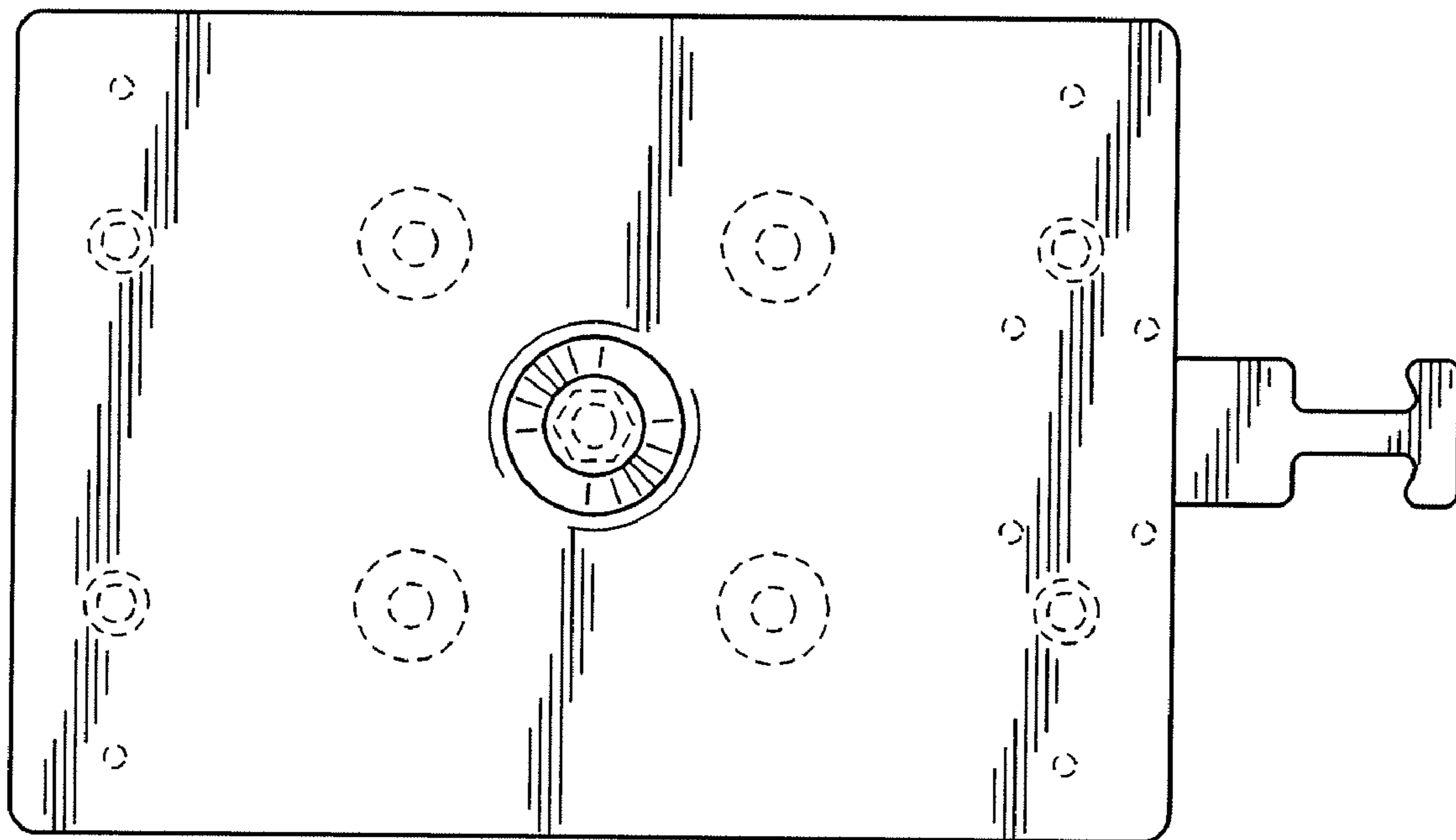


FIG. 3

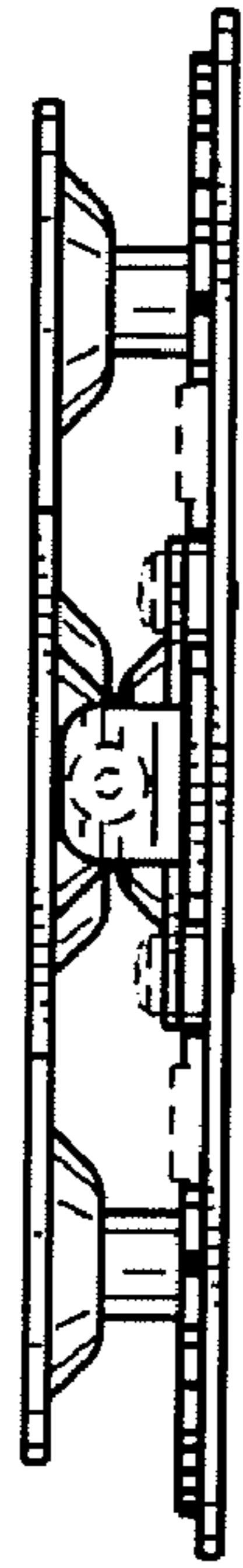


FIG. 4

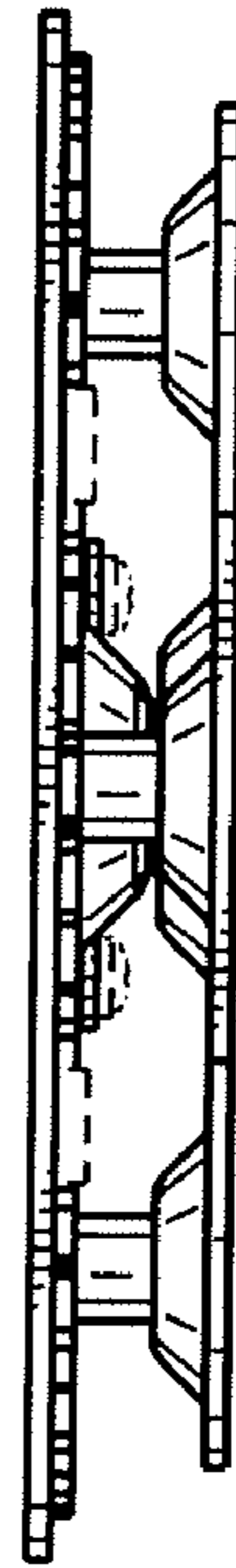


FIG. 5

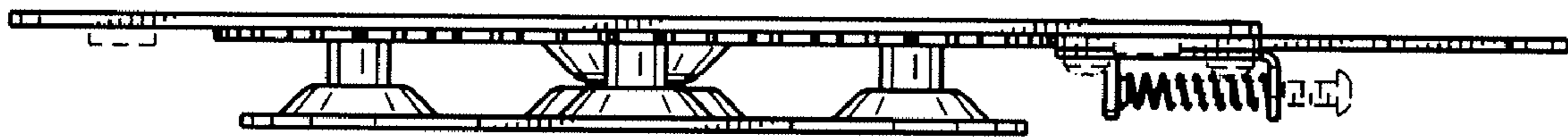


FIG. 6

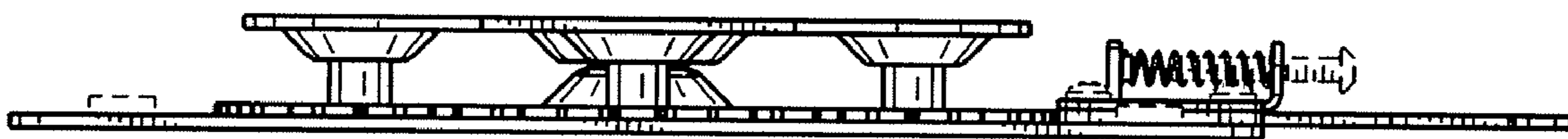


FIG. 7