



US00D587256S

(12) **United States Design Patent**  
**Morello**

(10) **Patent No.:** **US D587,256 S**  
(45) **Date of Patent:** **\*\* Feb. 24, 2009**

(54) **TELEVISION STAND**

(76) Inventor: **Domenico Morello**, Via Carso 19,  
Formigine (MO) (IT) 41043

(\*\*) Term: **14 Years**

(21) Appl. No.: **29/306,021**

(22) Filed: **Apr. 1, 2008**

(30) **Foreign Application Priority Data**

Dec. 19, 2007 (EM) ..... 000846399-0004

(51) **LOC (9) Cl.** ..... **14-03**

(52) **U.S. Cl.** ..... **D14/239**

(58) **Field of Classification Search** ..... D14/125-134,  
D14/239, 371, 136, 374-377; D8/363, 373,  
D8/349, 394; 248/465, 917-924, 123.11;  
348/825, 827, 836, 837, 838, 180, 184, 325,  
348/739; 600/443; D6/477-479, 407, 474,  
D6/460, 461, 468; 312/7.2; 341/12; 345/87,  
345/104, 133, 156, 168, 169, 173; 720/605,  
720/669, 600, 655; 369/99, 197; 455/344-347;  
349/1, 2, 11, 62; 108/59, 91, 92, 96; 211/40,  
211/41.12, 42, 49.1, 50, 85.2, 90.04, 187,  
211/190, 119.003, 134.153, 87.01, 71.01

See application file for complete search history.

(56) **References Cited**

**U.S. PATENT DOCUMENTS**

D142,211 S \* 8/1945 Glukes ..... D6/477  
D383,568 S \* 9/1997 Giedd ..... D28/73  
D474,047 S \* 5/2003 Lara ..... D6/479  
D480,237 S \* 10/2003 de Carolis ..... D6/474  
D508,801 S \* 8/2005 Holst ..... D6/477

D524,578 S \* 7/2006 Stenhouse et al. .... D6/479  
D535,109 S \* 1/2007 Palmer ..... D6/312  
D537,658 S \* 3/2007 Tung ..... D6/479  
D544,222 S \* 6/2007 Stilwell et al. .... D6/344  
D545,081 S \* 6/2007 Lara ..... D6/466  
7,261,261 B2 \* 8/2007 Ligertwood ..... D6/344  
D570,620 S \* 6/2008 Ongor ..... D6/479  
D573,367 S \* 7/2008 Chang ..... D6/426

\* cited by examiner

*Primary Examiner*—Raphael Barkai

*Assistant Examiner*—Randall H Gholson

(74) *Attorney, Agent, or Firm*—Themis Law

(57) **CLAIM**

The ornamental design for a television stand, as shown and described.

**DESCRIPTION**

FIG. 1 is a right side perspective view of a television stand showing my new design;

FIG. 2 is a rear-right side perspective view thereof;

FIG. 3 is a front-left side perspective view thereof;

FIG. 4 is a second front-left side perspective view thereof;

FIG. 5 is a front-right side perspective view thereof;

FIG. 6 is a rear side perspective view thereof;

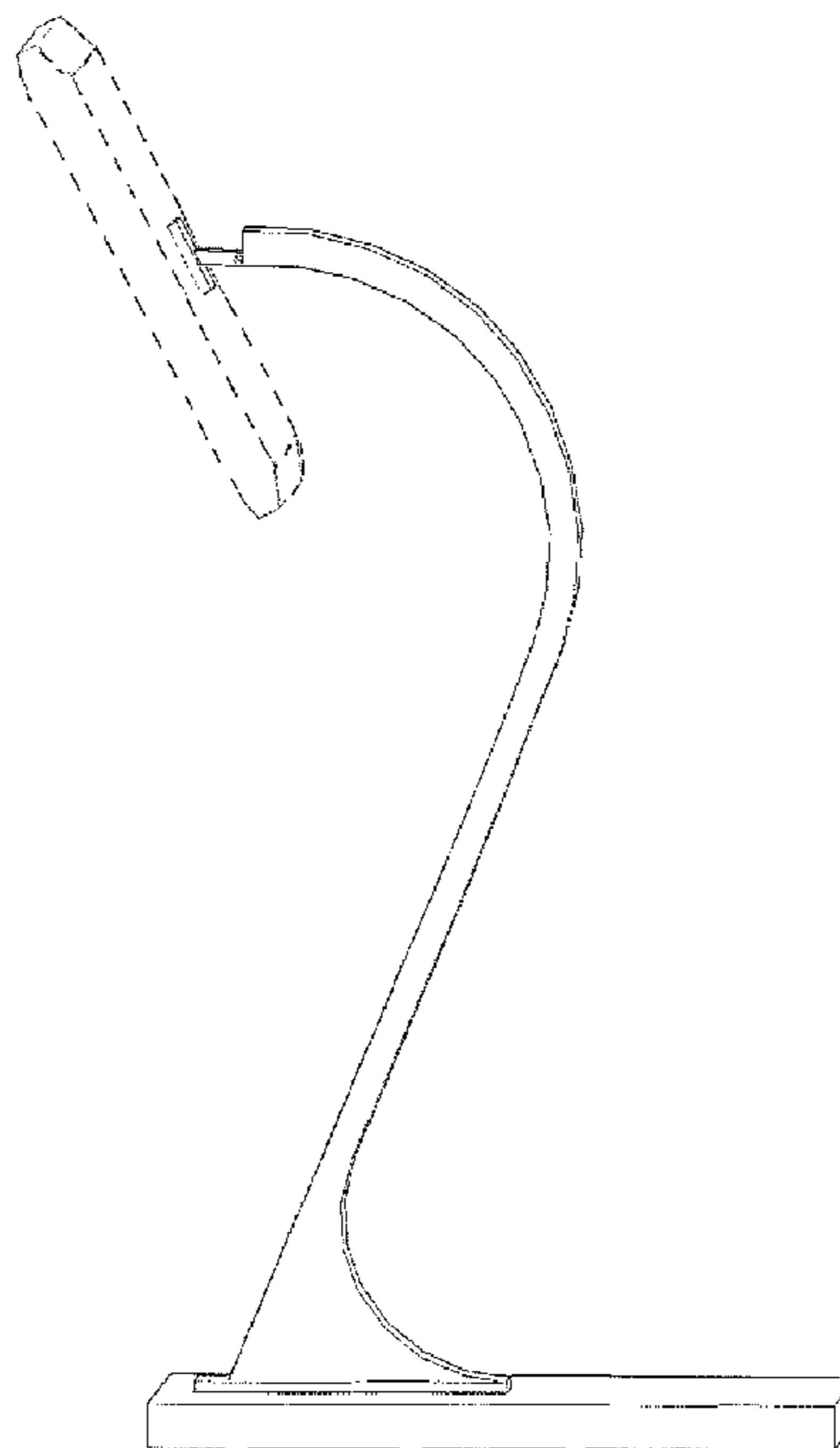
FIG. 7 is a second front-right side perspective view thereof;

FIG. 8 is a top perspective view thereof; and,

FIG. 9 is a top-right side perspective view thereof.

The television set is shown in broken lines for illustrative purposes only and forms no part of the claimed design.

**1 Claim, 9 Drawing Sheets**



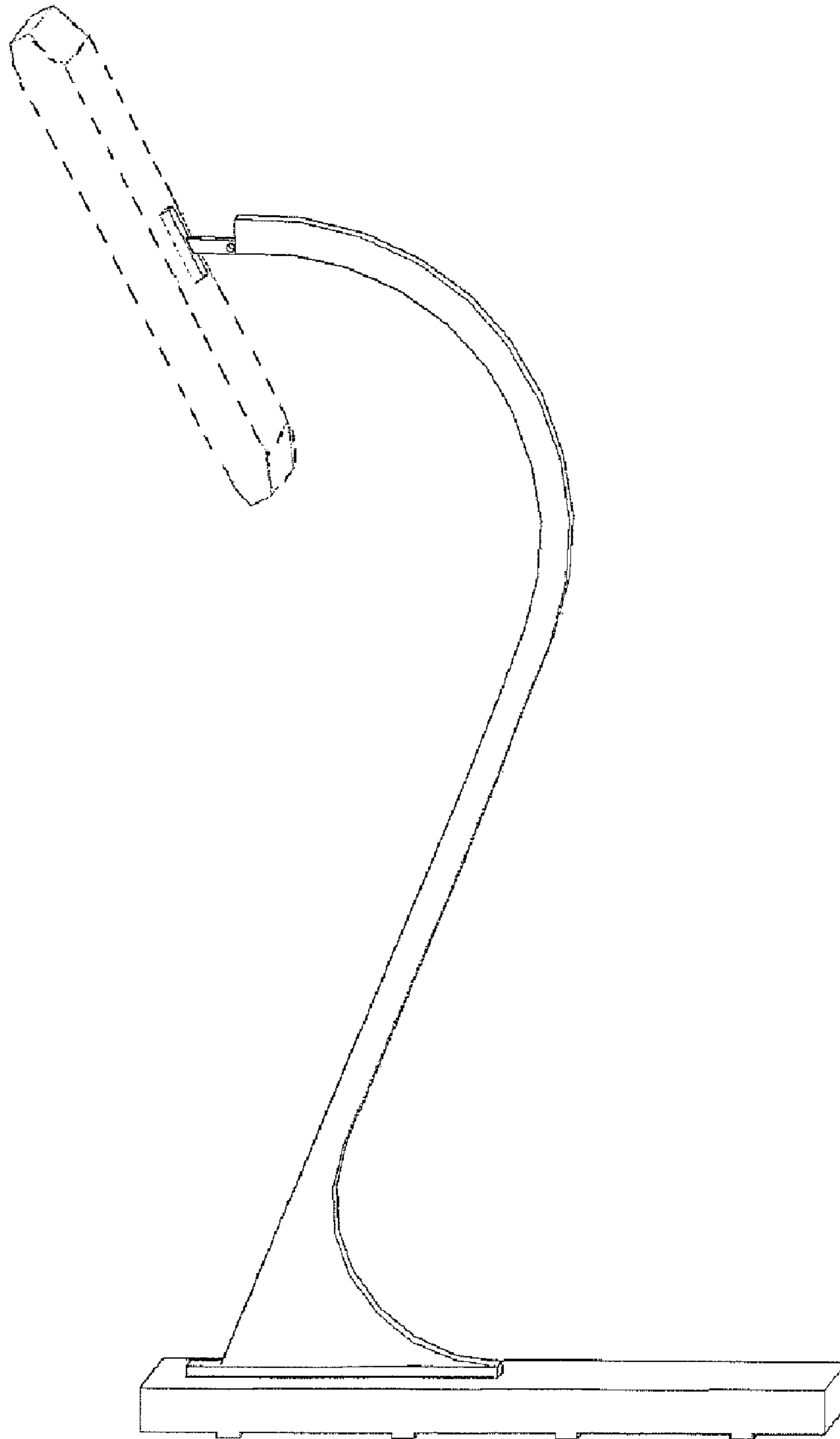


FIG. 1

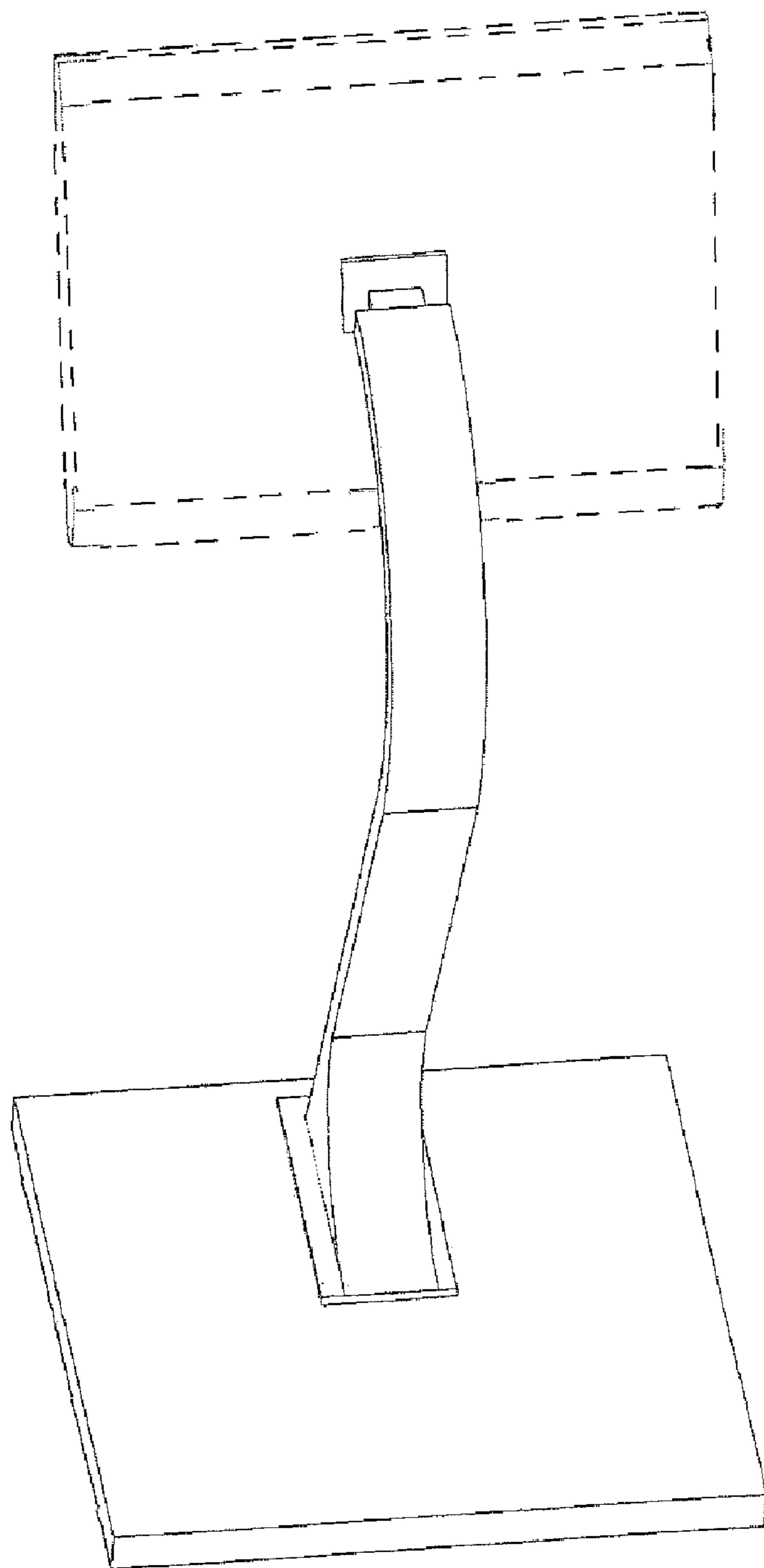


FIG. 2

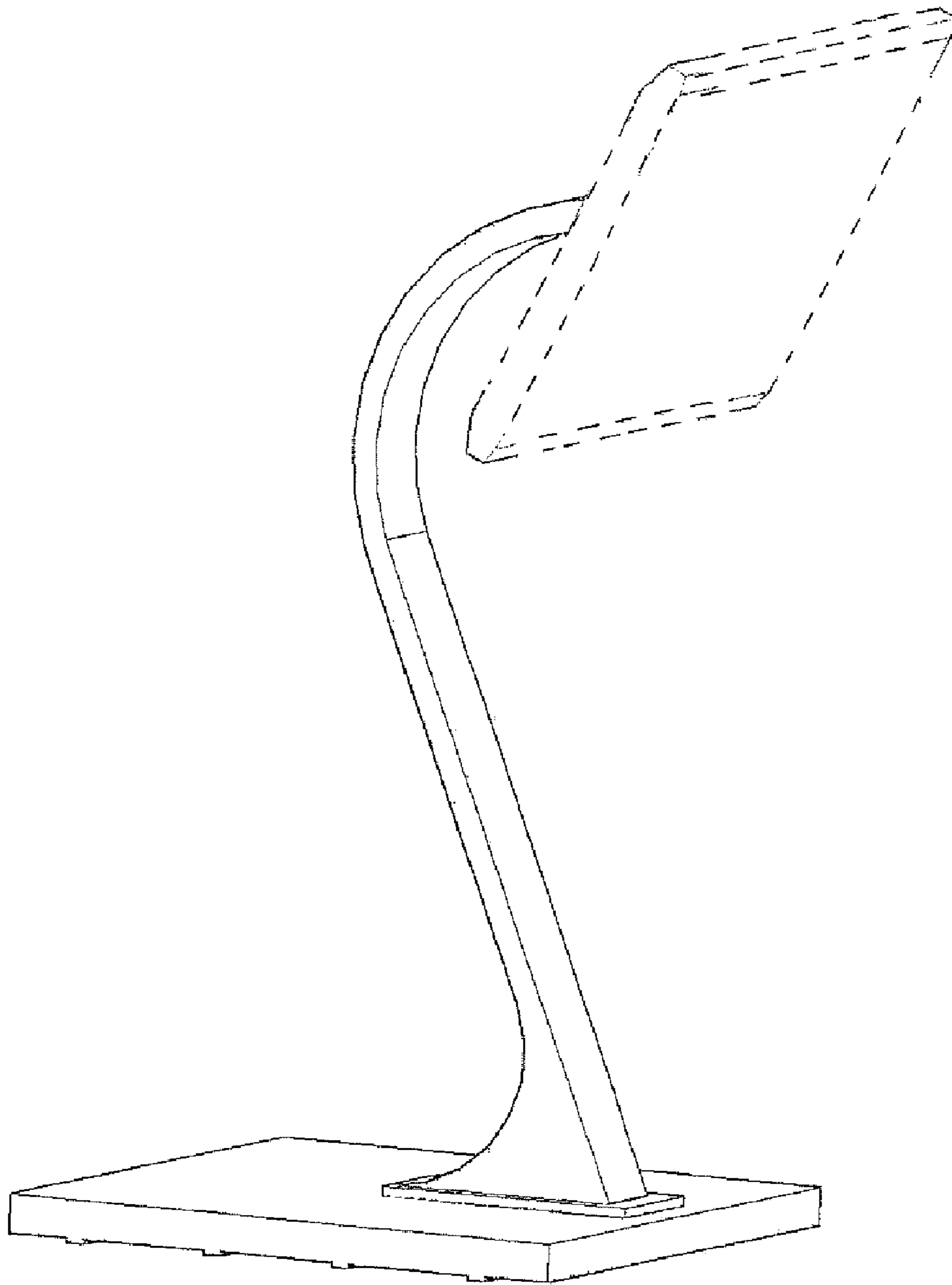


FIG. 3

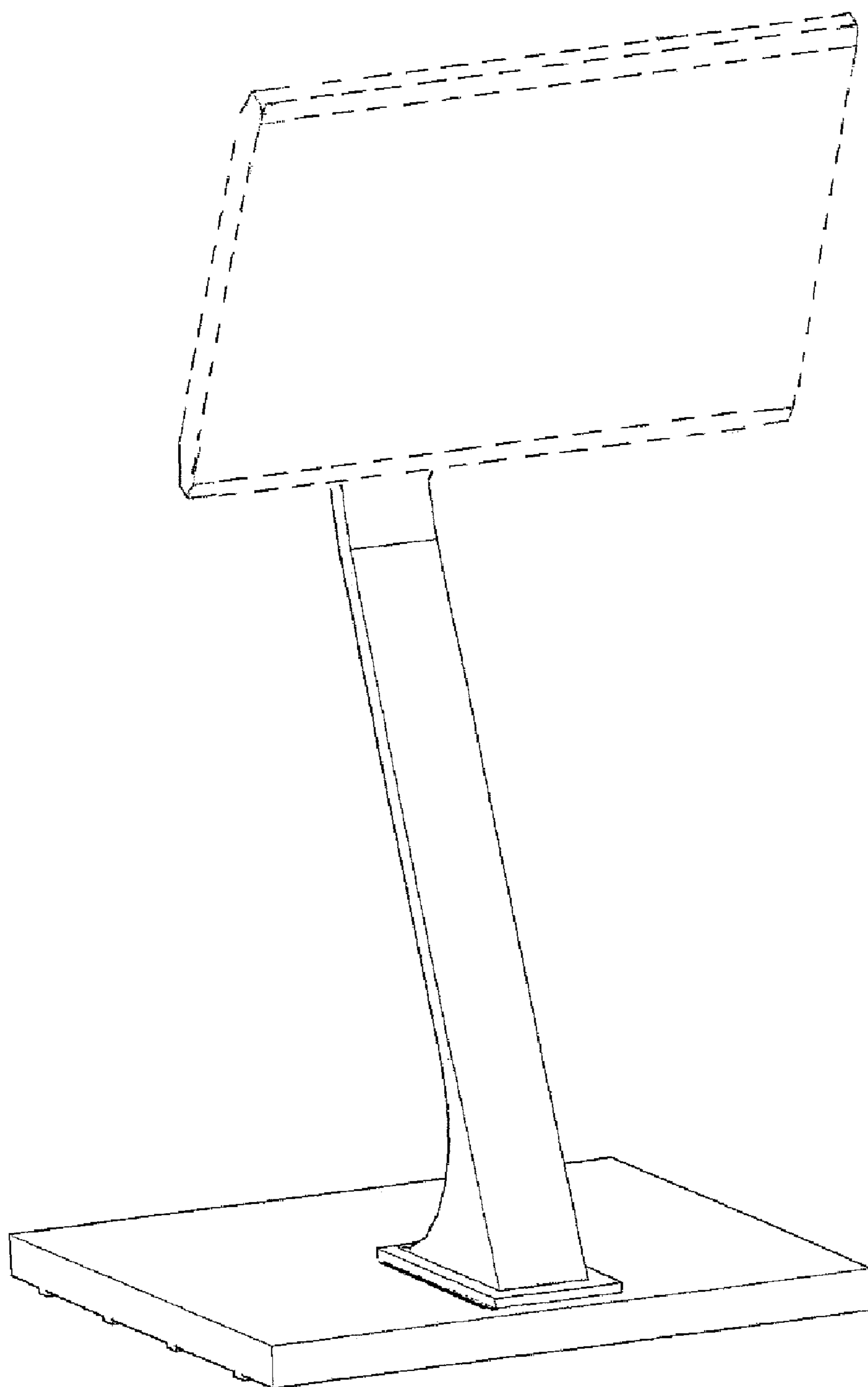


FIG. 4

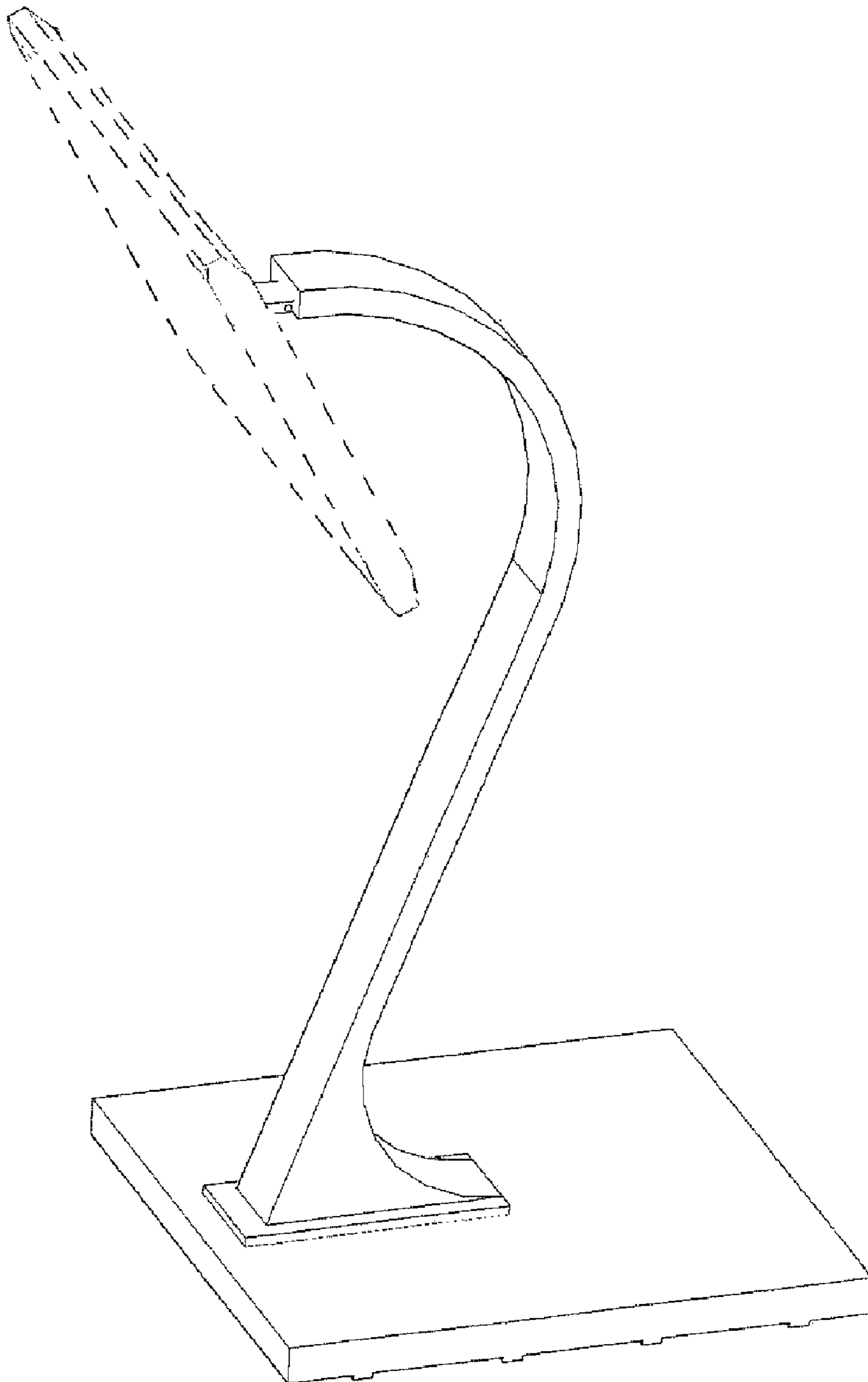


FIG. 5

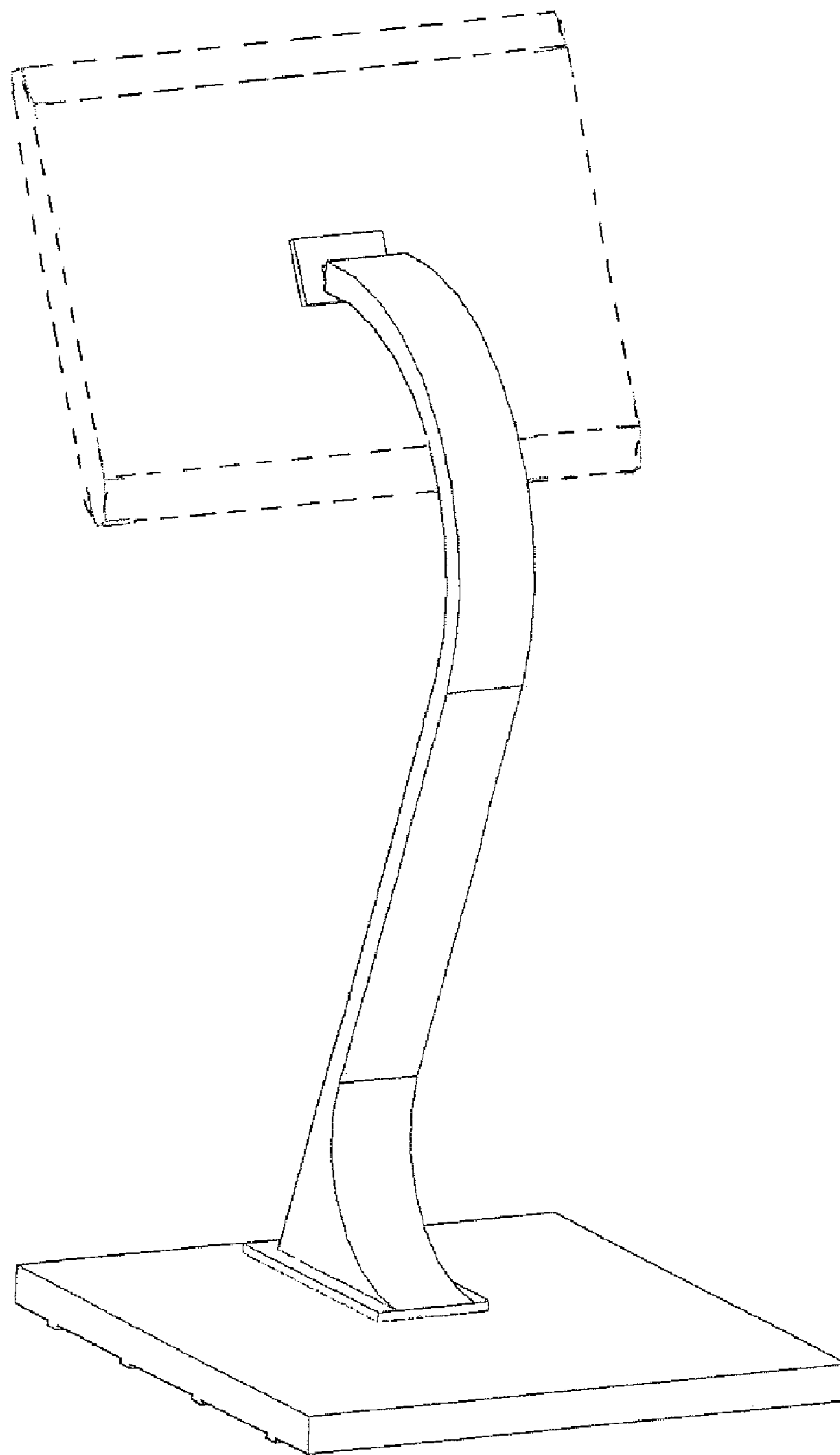


FIG. 6

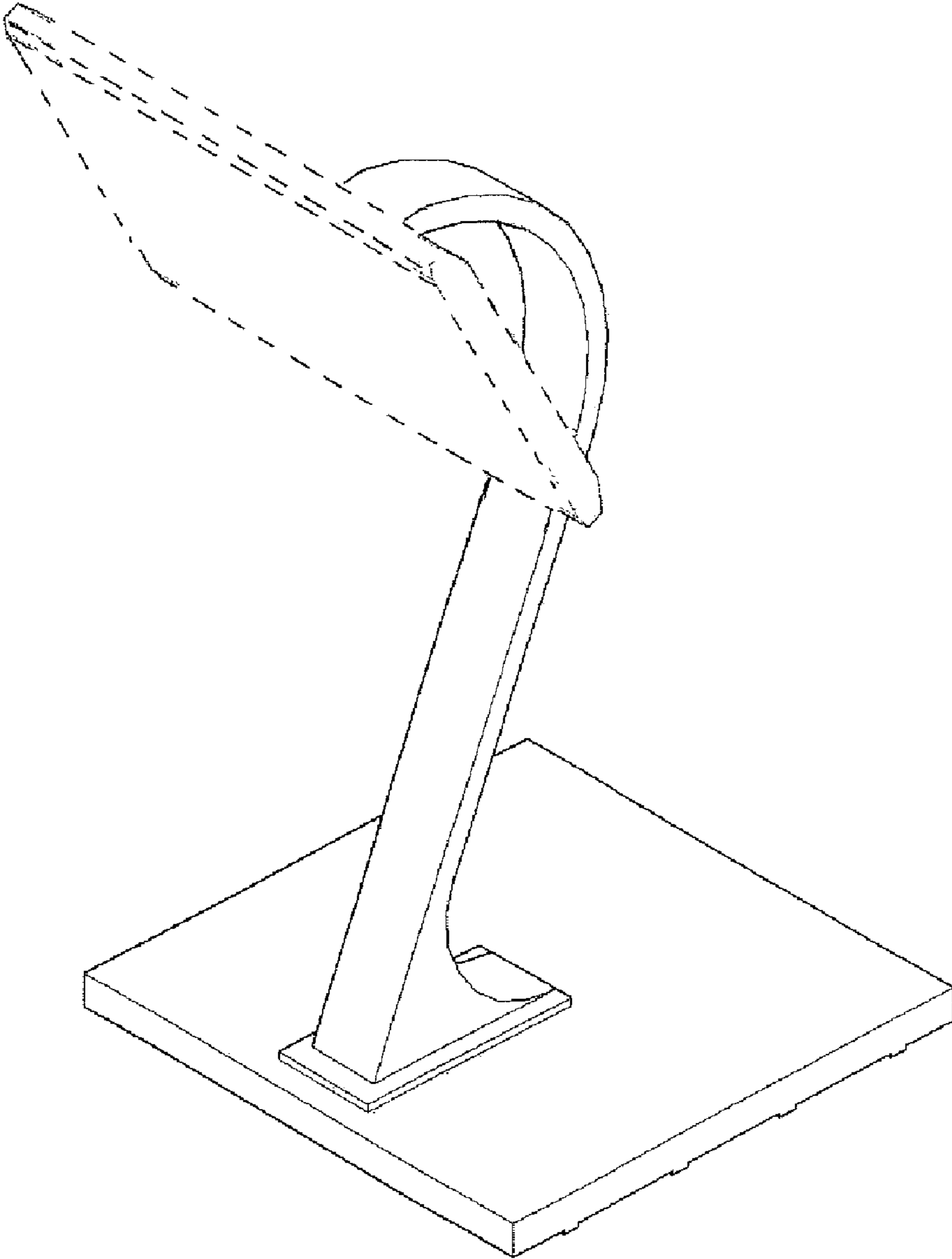


FIG. 7



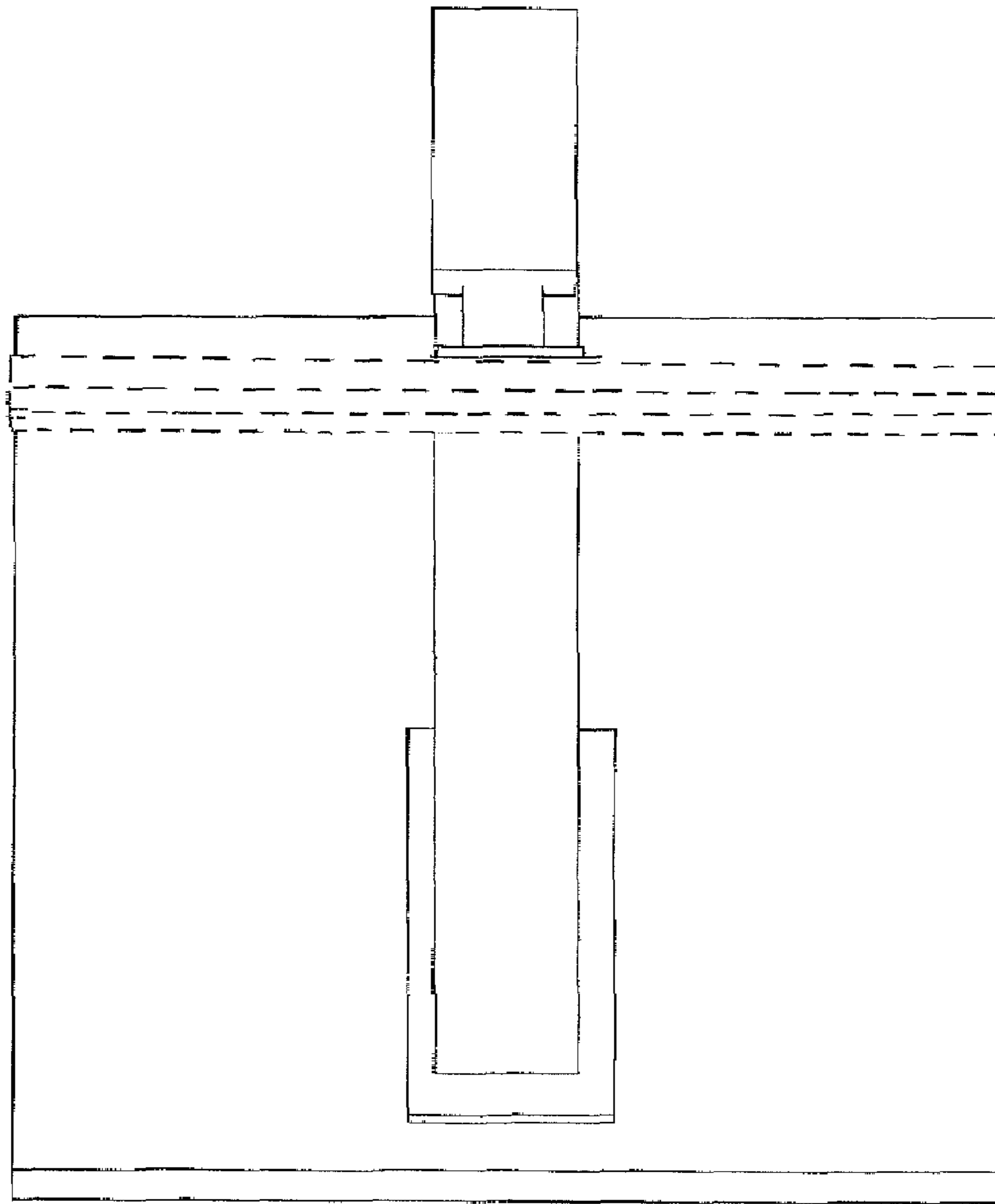


FIG. 8

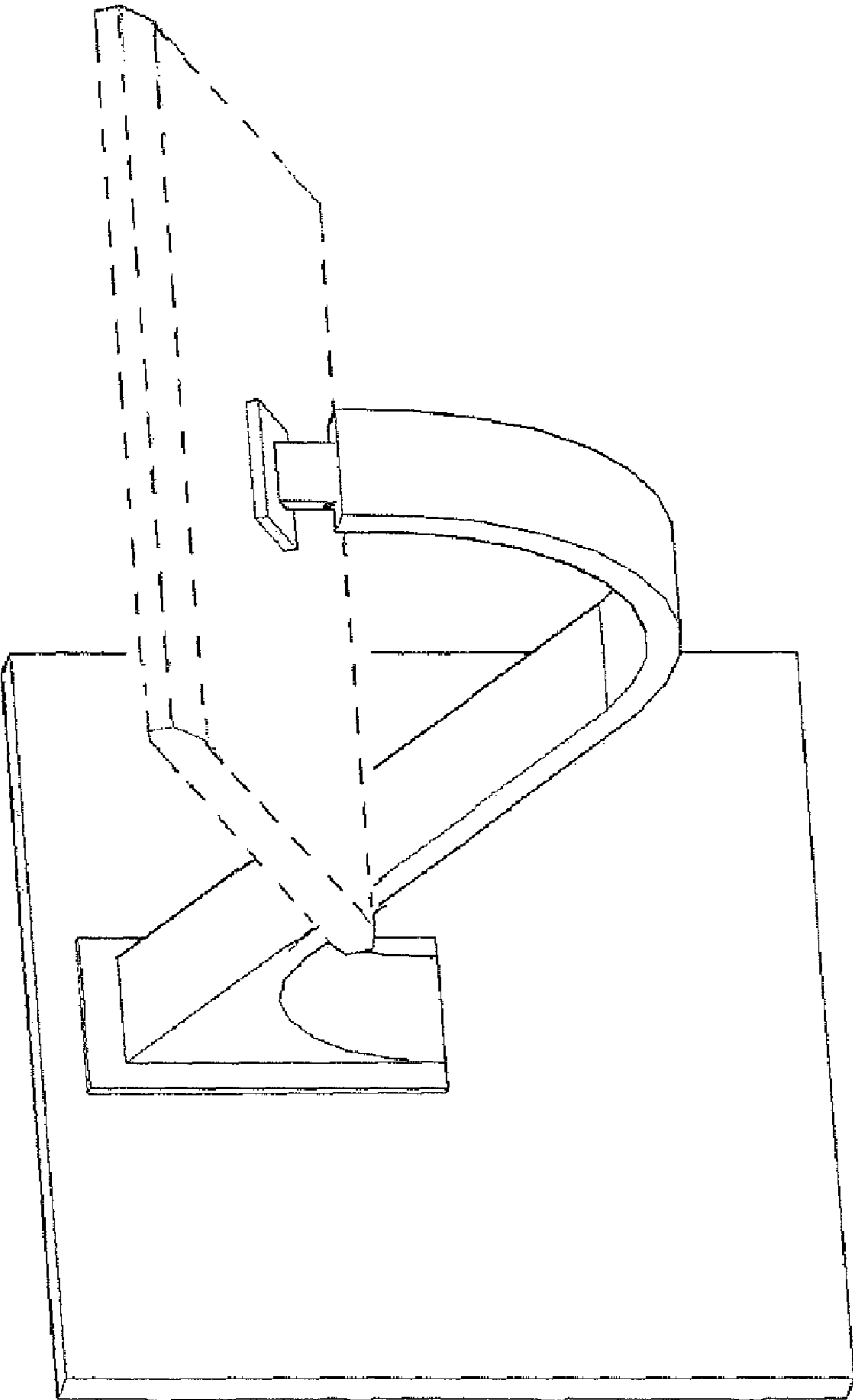


FIG. 9