



US00D587253S

(12) **United States Design Patent**
Morello

(10) **Patent No.:** **US D587,253 S**

(45) **Date of Patent:** **** Feb. 24, 2009**

(54) **TELEVISION STAND**

(76) Inventor: **Domenico Morello**, Via Carso 19,
Formigine (MO) (IT) 41043

(**) Term: **14 Years**

(21) Appl. No.: **29/306,014**

(22) Filed: **Apr. 1, 2008**

(30) **Foreign Application Priority Data**

Oct. 8, 2007 (EM) 000803663-0005

(51) **LOC (9) Cl.** **14-03**

(52) **U.S. Cl.** **D14/239**

(58) **Field of Classification Search** D14/125-134,
D14/239, 371, 136, 374-377; D8/363, 373,
D8/349, 394; 248/465, 917-924, 123.11;
348/825, 827, 836, 837, 838, 180, 184, 325,
348/739; 600/443; D6/477-479, 407, 474,
D6/460, 461, 468; 312/7.2; 341/12; 345/87,
345/104, 133, 156, 168, 169, 173; 720/605,
720/669, 600, 655; 369/99, 197; 455/344-347;
349/1, 2, 11, 62; 108/59, 91, 92, 96; 211/40,
211/41.12, 42, 49.1, 50, 85.2, 90.04, 187,
211/190, 119.003, 134.153, 87.01, 71.01

See application file for complete search history.

(56) **References Cited**

U.S. PATENT DOCUMENTS

3,889,910 A * 6/1975 Walters 248/122.1
D383,568 S * 9/1997 Giedd D28/73
D393,853 S * 4/1998 Maas D14/126
D474,047 S * 5/2003 Lara D6/479
D503,568 S * 4/2005 Adams D6/474

D508,801 S * 8/2005 Holst D6/477
D524,578 S * 7/2006 Stenhouse et al. D6/479
D535,109 S * 1/2007 Palmer D6/312
D537,658 S * 3/2007 Tung D6/479
D545,081 S * 6/2007 Lara D6/466
D570,620 S * 6/2008 Ongor D6/479
D573,367 S * 7/2008 Chang D6/426

* cited by examiner

Primary Examiner—Raphael Barkai
Assistant Examiner—Randall H Gholson
(74) *Attorney, Agent, or Firm*—Themis Law

(57) **CLAIM**

The ornamental design for a television stand, as shown and described.

DESCRIPTION

FIG. 1 is a front-right side perspective view of a television stand showing my new design;

FIG. 2 is a right side perspective view thereof;

FIG. 3 is a left side perspective view thereof;

FIG. 4 is a front-left side perspective view thereof;

FIG. 5 is a front perspective view thereof;

FIG. 6 is a rear-right side perspective view thereof;

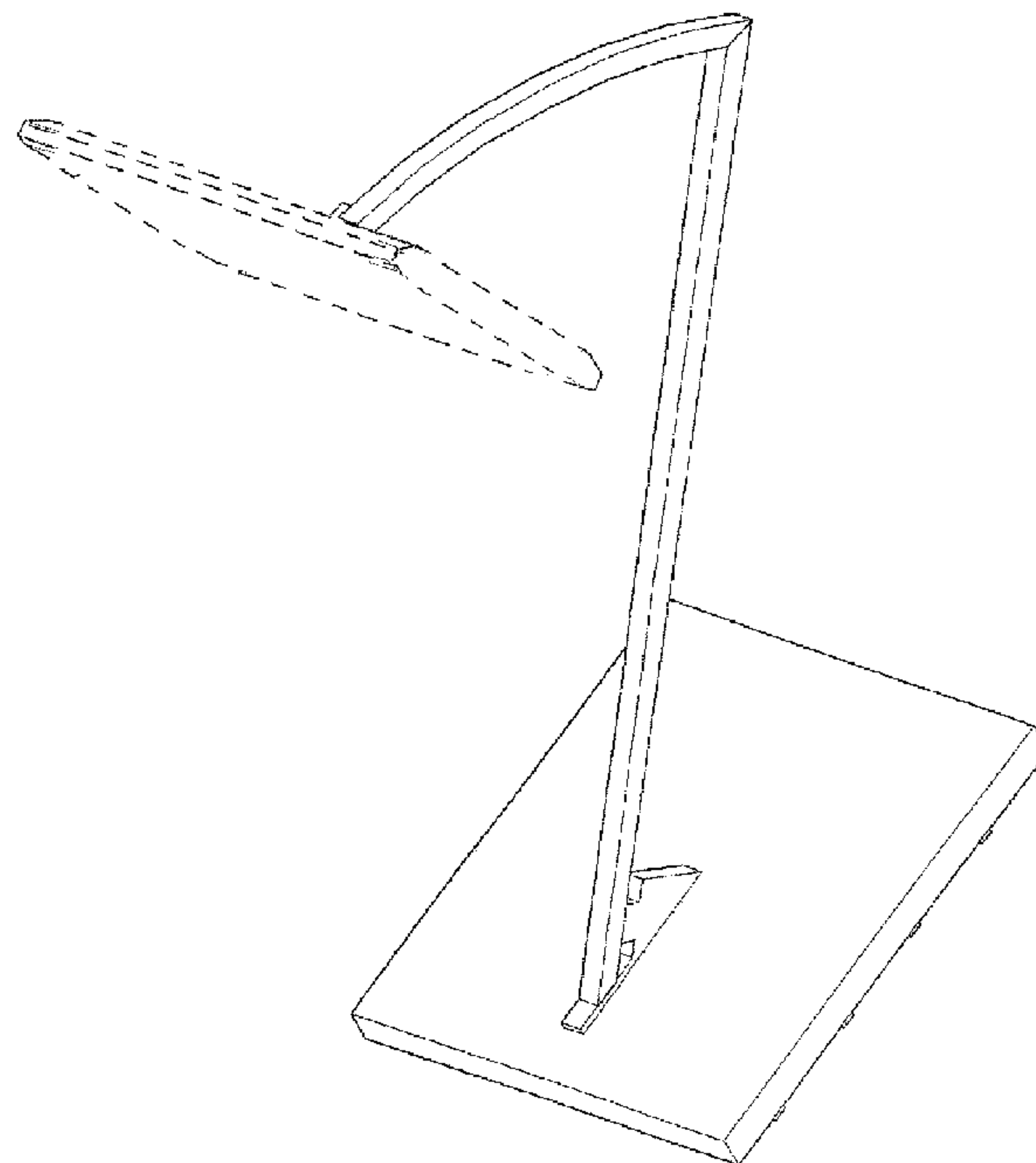
FIG. 7 is a rear-left side perspective view thereof;

FIG. 8 is a top perspective view thereof; and,

FIG. 9 is a rear perspective view thereof.

The television set is shown in broken lines for illustrative purposes only and forms no part of the claimed design.

1 Claim, 9 Drawing Sheets



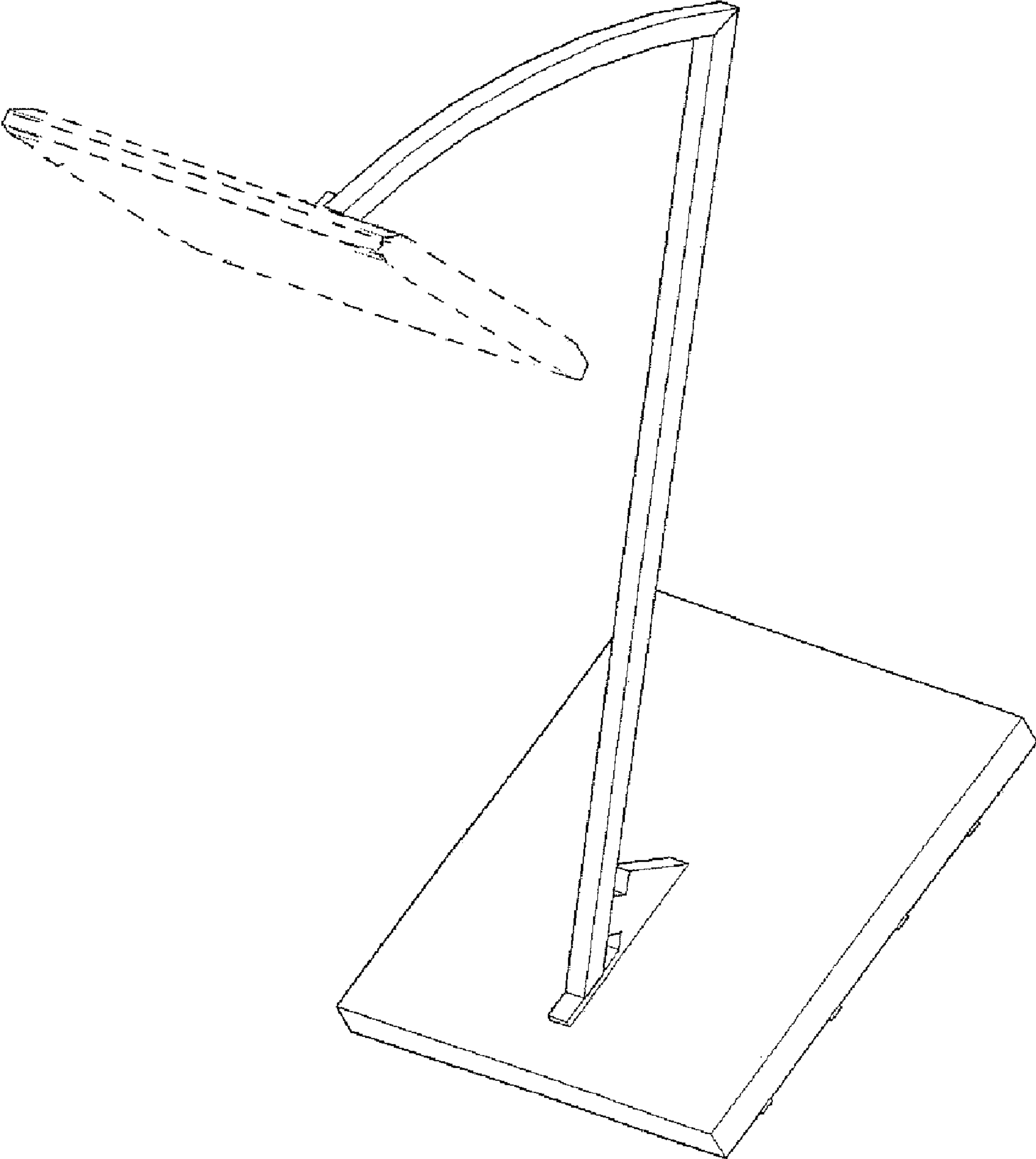


FIG. 1

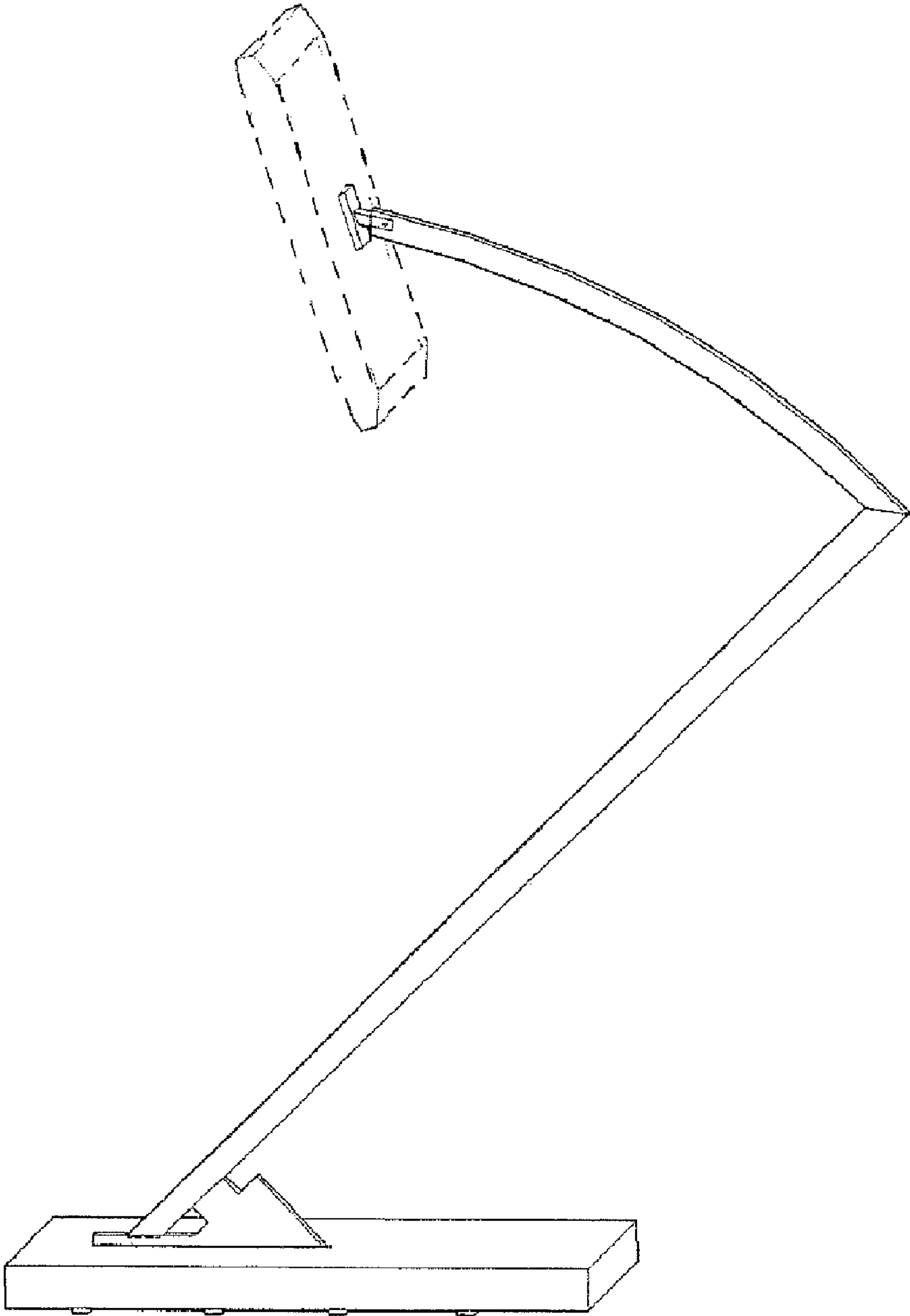


FIG. 2

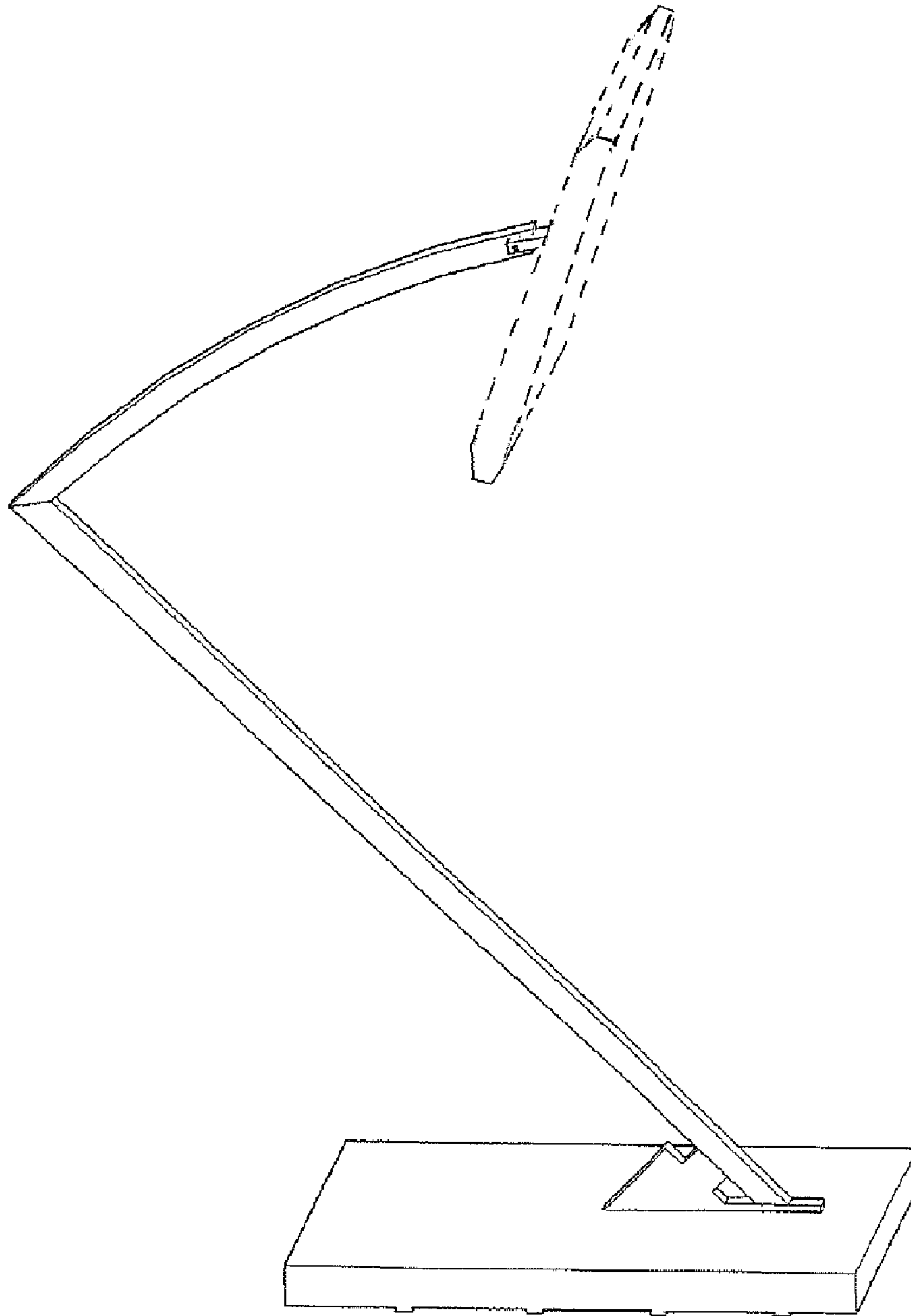


FIG. 3

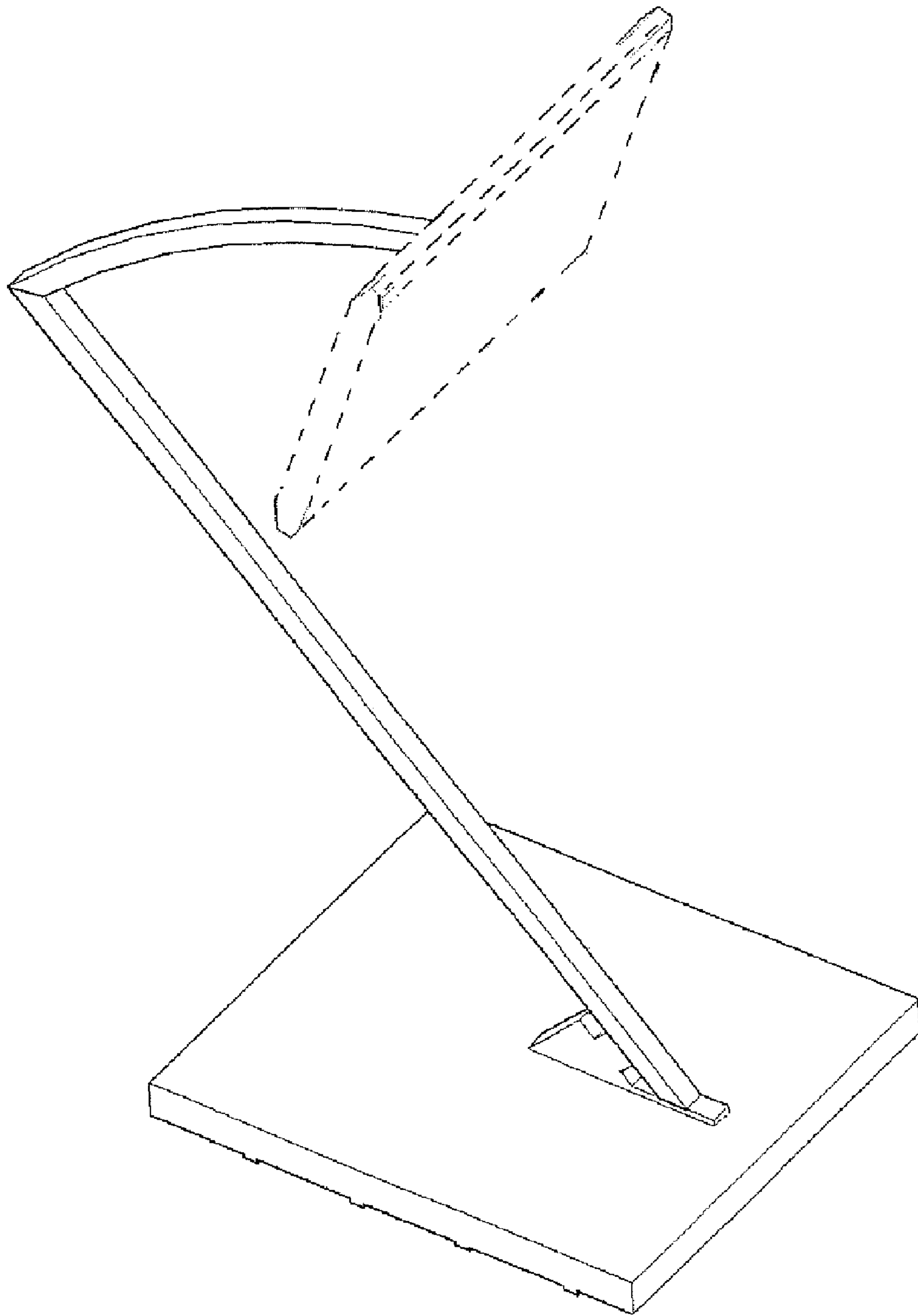


FIG. 4

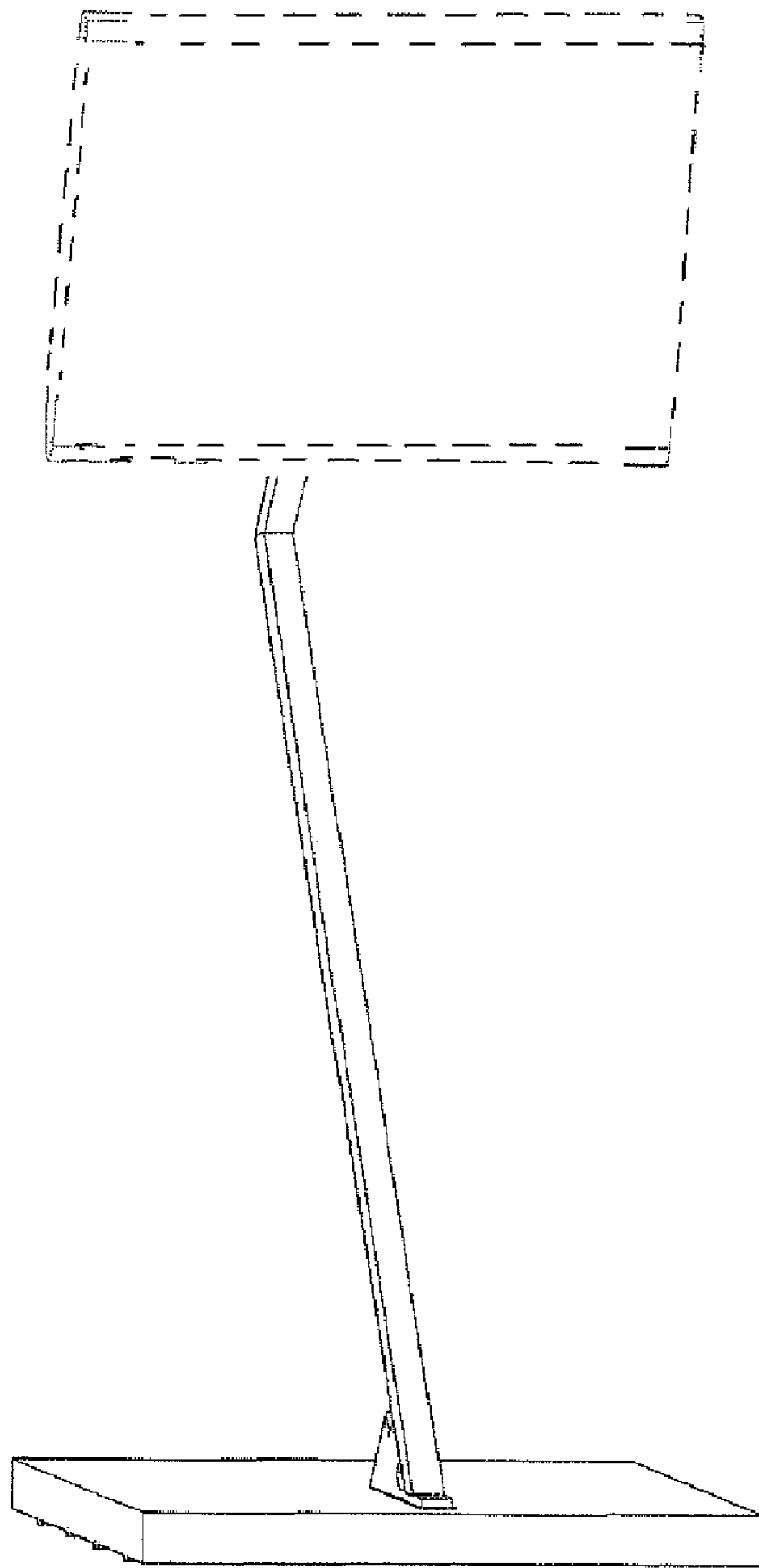


FIG. 5

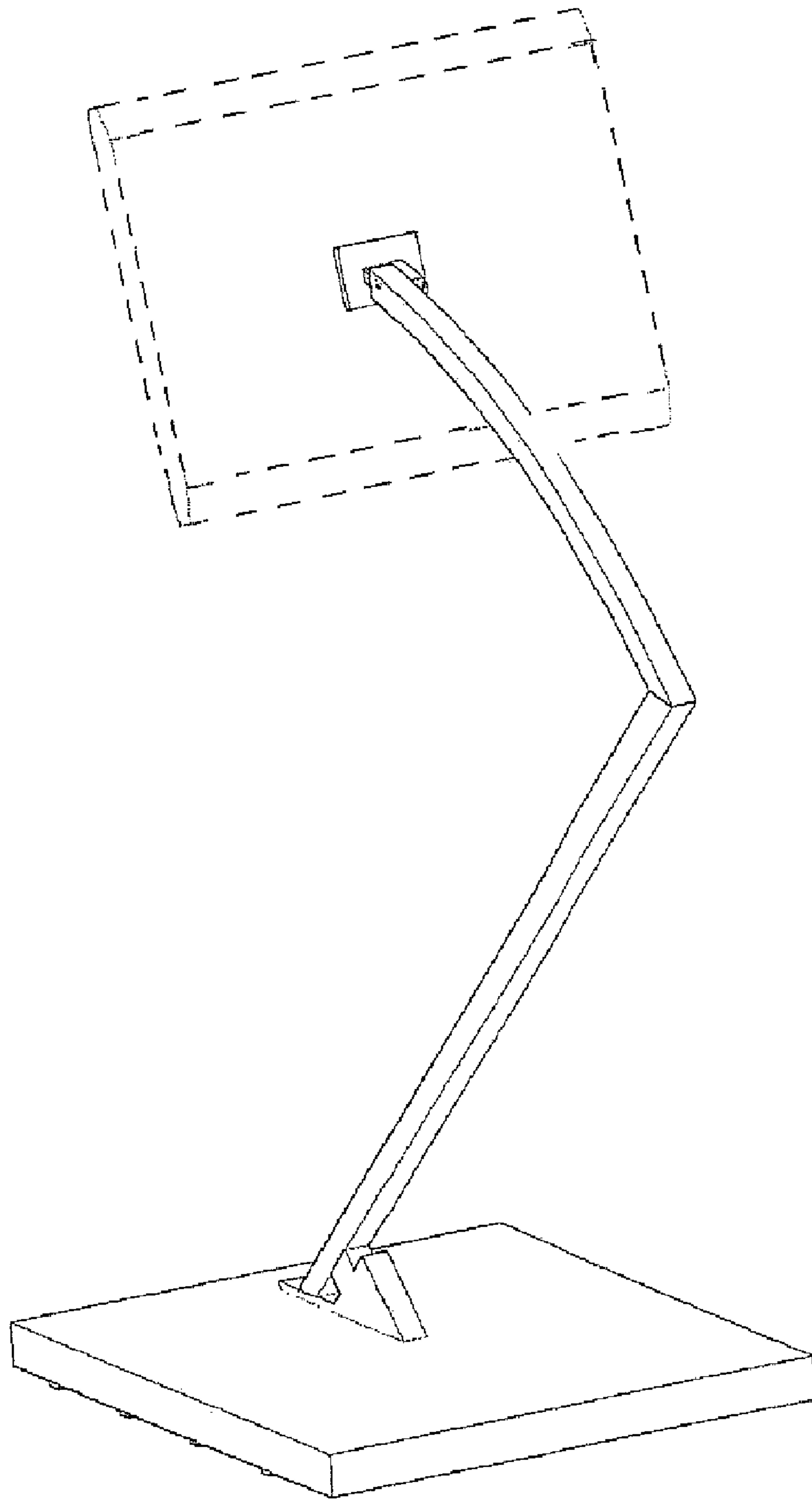


FIG. 6

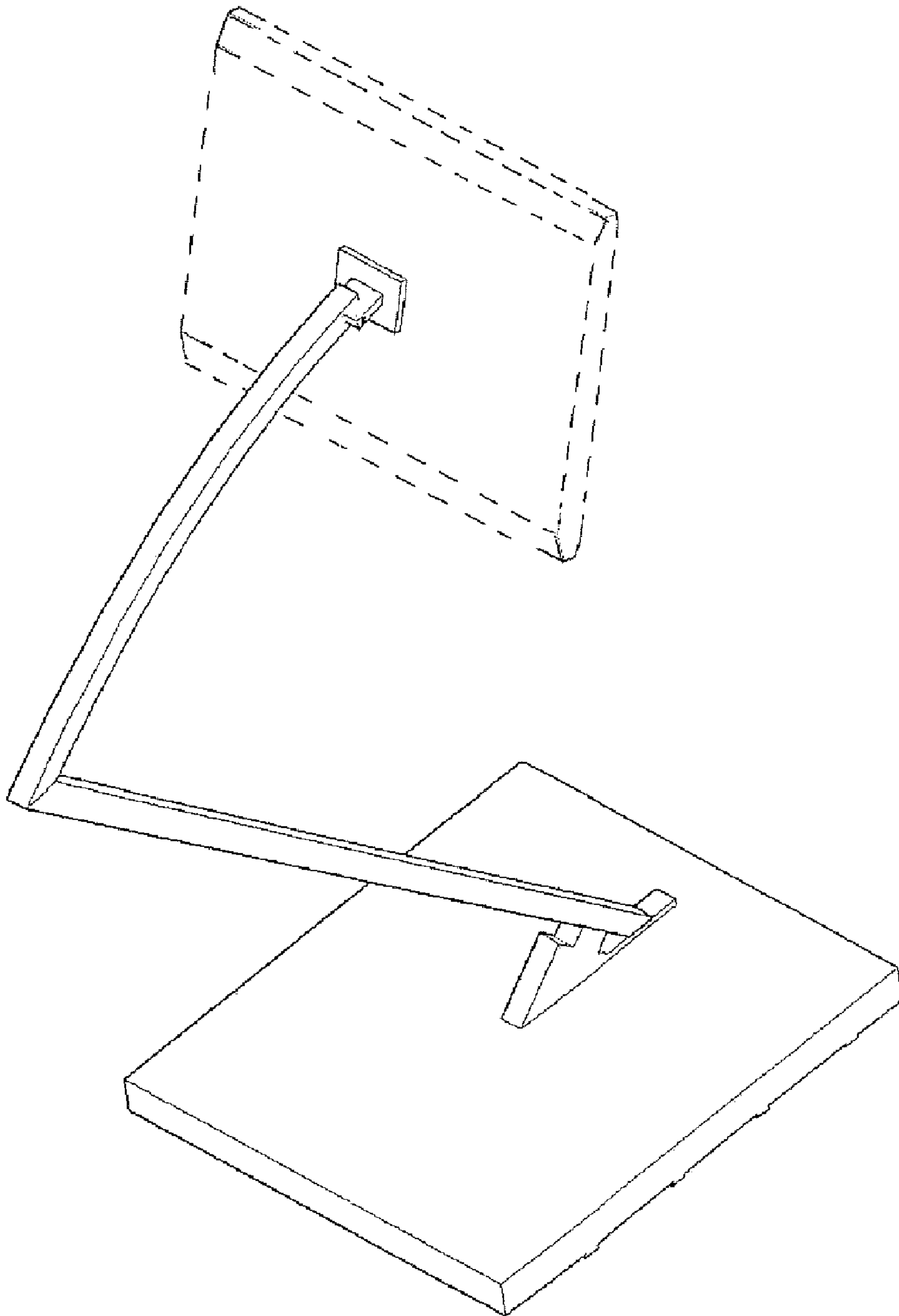


FIG. 7

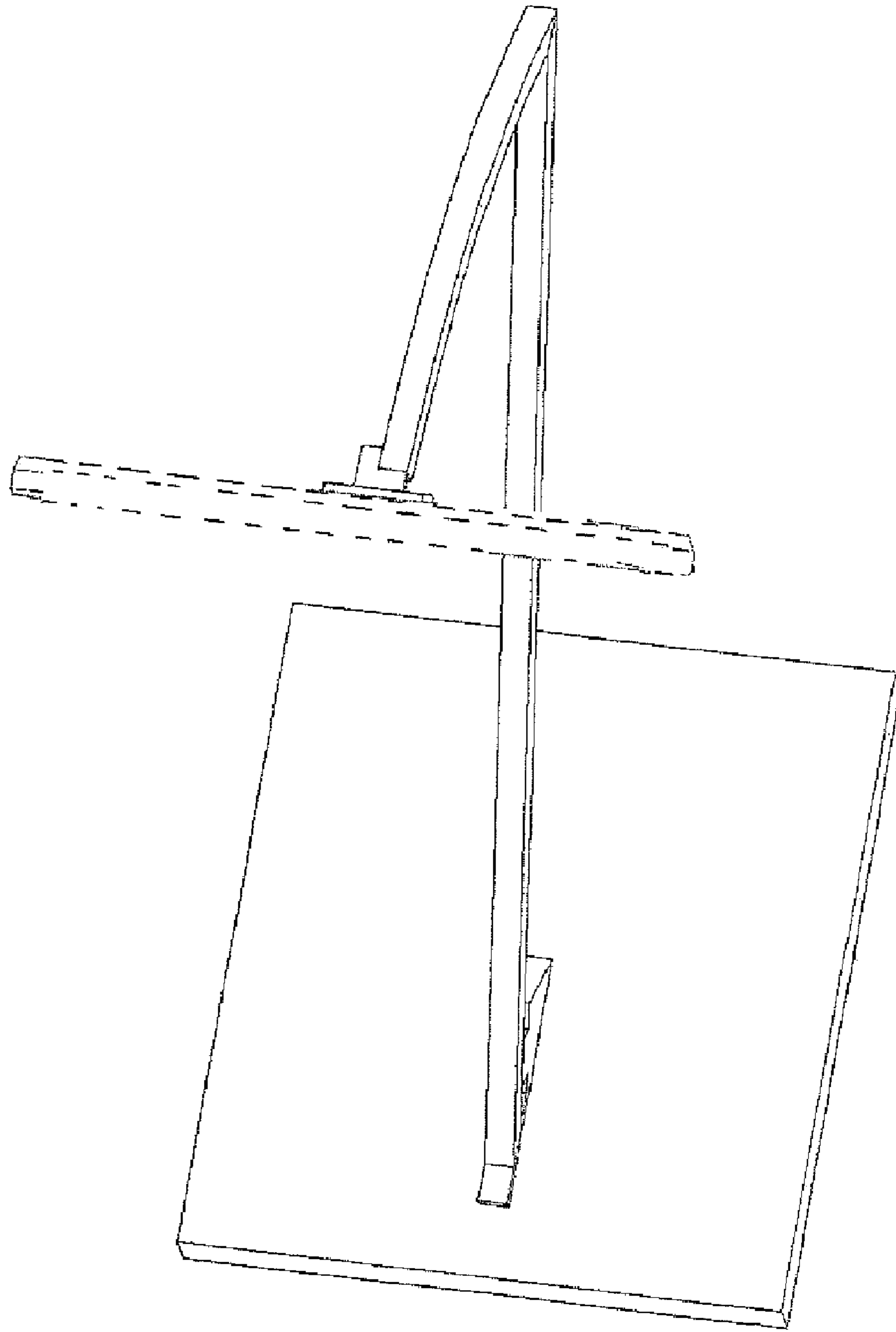


FIG. 8

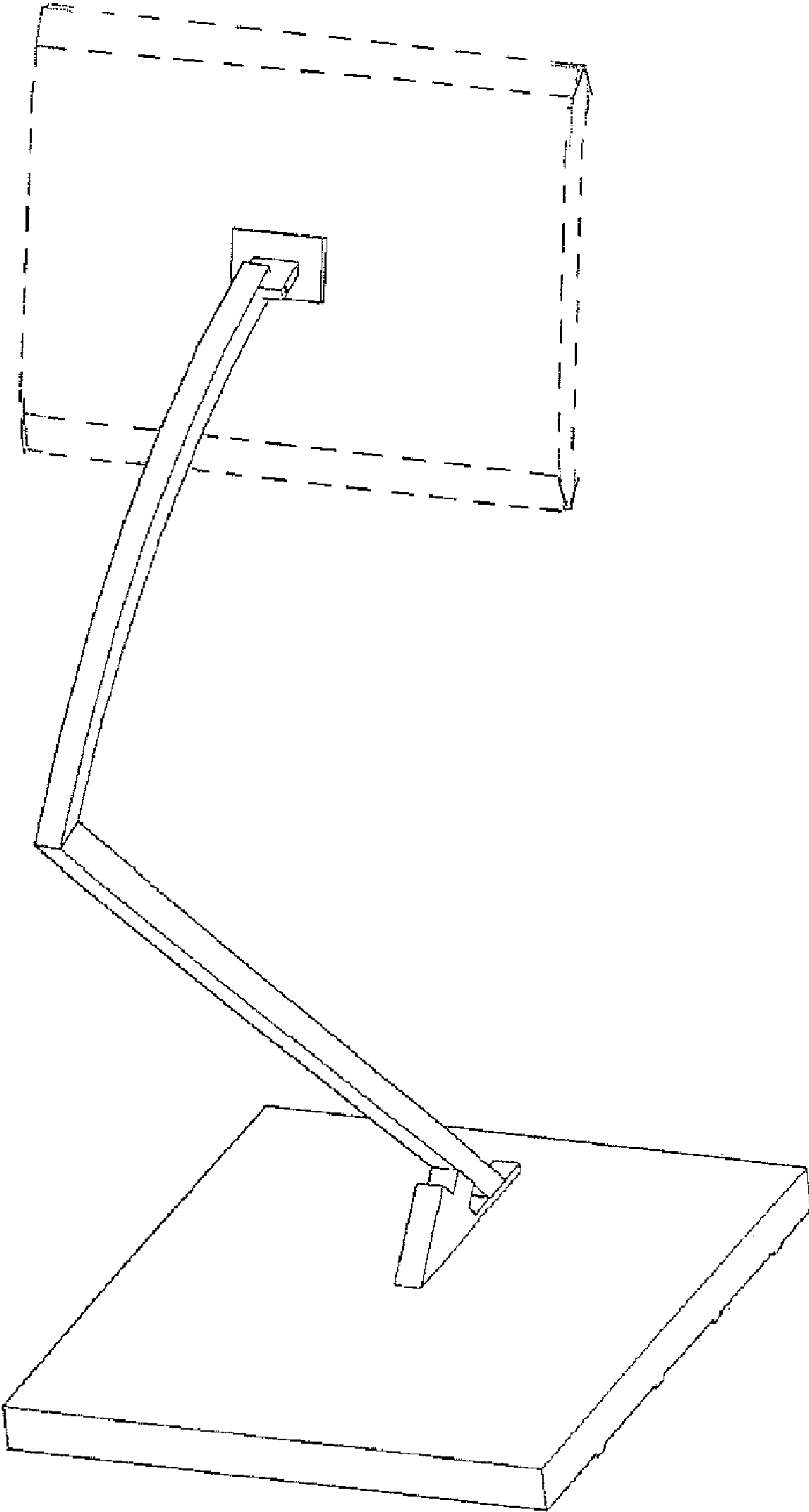


FIG. 9