



US00D587250S

(12) **United States Design Patent**
Cai

(10) **Patent No.:** **US D587,250 S**
(45) **Date of Patent:** **** Feb. 24, 2009**

(54) **WIRELESS MICROPHONE KARAOKE SYSTEM WITH SLIDE**

(75) Inventor: **Jin-nan Cai**, Zhuhai (CN)

(73) Assignee: **Zhuhai Sanjin Industrial Co., Ltd.**, Zhuhai, Guangdong (CN)

(**) Term: **14 Years**

(21) Appl. No.: **29/284,386**

(22) Filed: **Sep. 6, 2007**

(30) **Foreign Application Priority Data**

Mar. 9, 2007 (CN) 2007 3 0049129

(51) **LOC (9) Cl.** **14-01**

(52) **U.S. Cl.** **D14/227; D14/228**

(58) **Field of Classification Search** D14/225-229, D14/217, 434, 253, 149, 168, 453, 242, 357; D13/100, 107, 108; 181/158, 242; 381/355, 381/360, 269, 361; 320/111; 455/556.1, 455/556.2, 557

See application file for complete search history.

(56) **References Cited**

U.S. PATENT DOCUMENTS

D194,790 S * 3/1963 Neuhardt et al. D13/107

(Continued)

Primary Examiner—Paula Greene

(74) *Attorney, Agent, or Firm*—Moore Patents; David Dreyfuss; Cynthia R. Moore

(57) **CLAIM**

The ornamental design for a wireless microphone karaoke system with slide, as shown and described.

DESCRIPTION

FIG. 1 is a front elevational view of a wireless microphone karaoke system with slide of my new and original design;

FIG. 2 is a front elevational view of a microphone plate of the wireless microphone karaoke system with slide shown in FIG. 1, the microphone plate is shown separately for purpose of illustration;

FIG. 3 is a rear elevational view of the microphone plate shown in FIG. 2;

FIG. 4 is a top plan view of the microphone plate shown in FIG. 2;

FIG. 5 is a bottom plan view of the microphone plate shown in FIG. 2;

FIG. 6 is a right side elevational view of a microphone plate shown in FIG. 2, the left side elevational view is a mirror image;

FIG. 7 is a front elevational view of a wireless microphone of the wireless microphone karaoke system with slide shown in FIG. 1, the wireless microphone is shown separately for purpose of illustration;

FIG. 8 is a rear elevational view of the wireless microphone shown in FIG. 7;

FIG. 9 is a left side elevational view of the wireless microphone shown in FIG. 7, the right side elevational view is a mirror image;

FIG. 10 is a top plan view of the wireless microphone shown in FIG. 7;

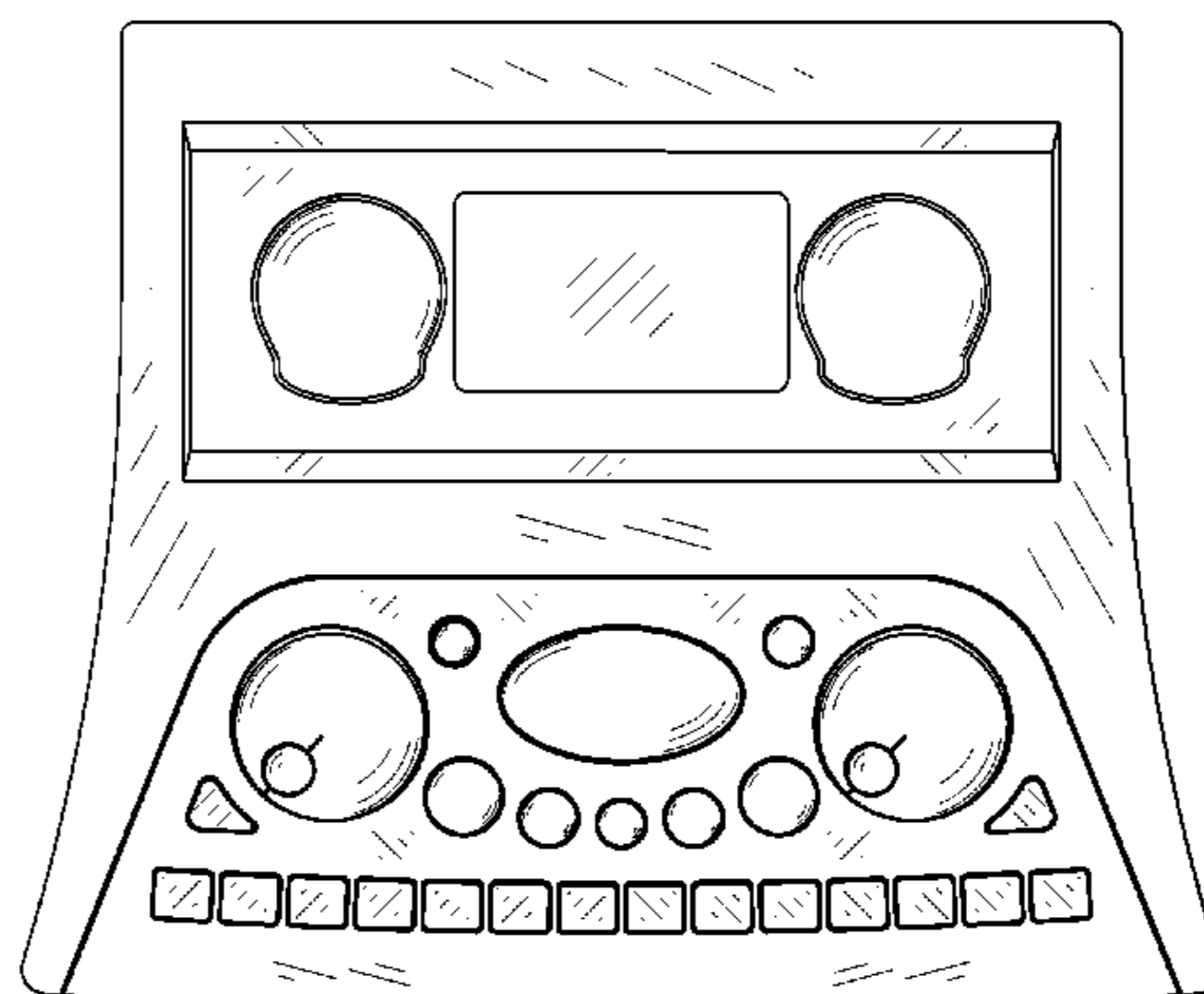
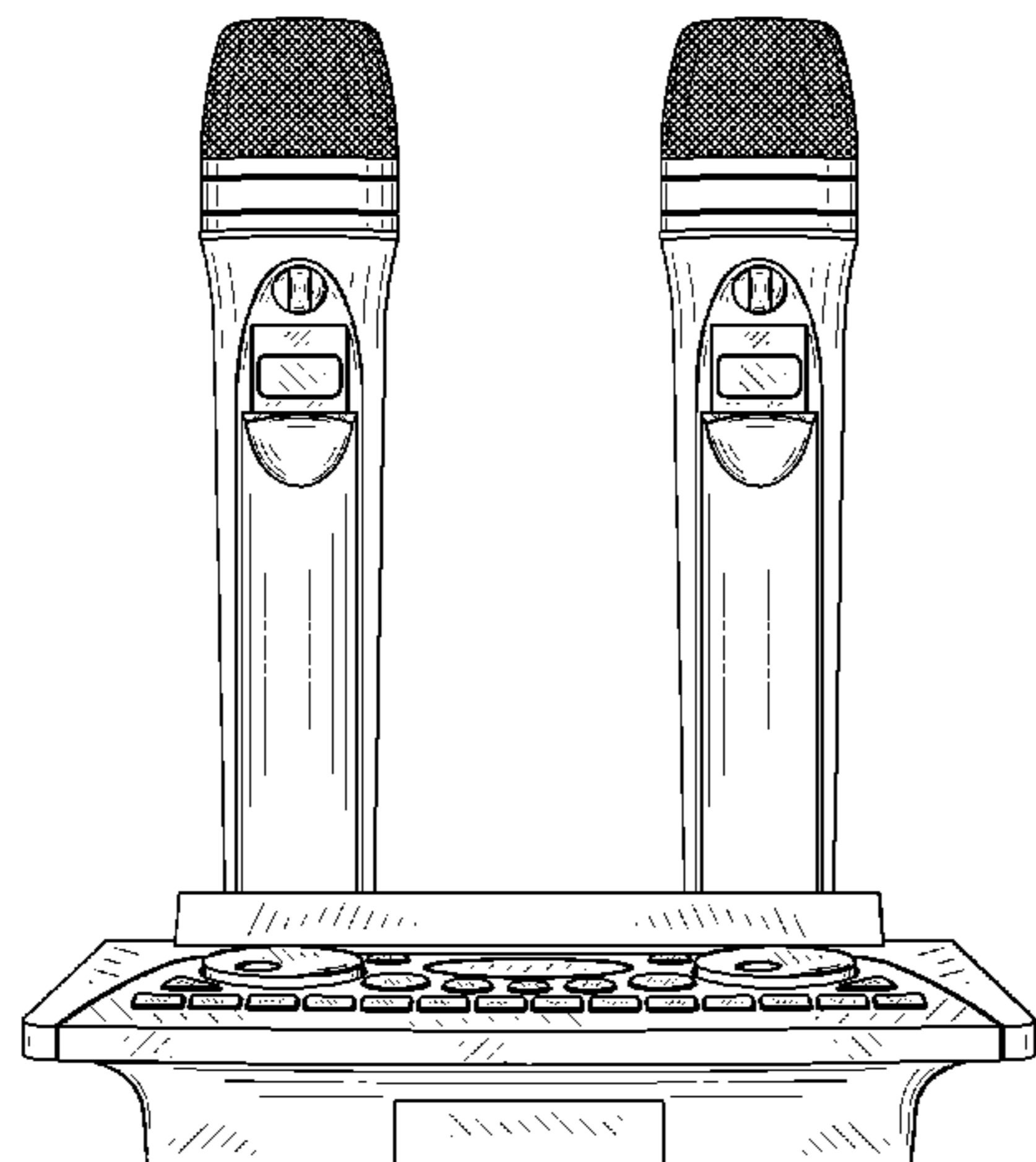
FIG. 11 is a bottom plan view of the wireless microphone shown in FIG. 7;

FIG. 12 is a reference view of the wireless microphone of FIG. 7, showing the wireless microphone in state of use; and,

FIG. 13 is another reference view of the wireless microphone of FIG. 7, showing the wireless microphone in state of use.

It is to be understood that, for the sake of clarity, the left side elevational view of the microphone plate of the wireless microphone karaoke system with slide is omitted because it is symmetrical with the right side elevation view of the microphone plate. A right side elevational view of a wireless microphone of the wireless microphone karaoke system with slide is omitted because it is symmetrical with the left side elevational view of the wireless microphone.

1 Claim, 6 Drawing Sheets



US D587,250 S

Page 2

U.S. PATENT DOCUMENTS

D213,111 S *	1/1969	Jaffe	D13/107	D493,441 S *	7/2004	Sabick et al.	D14/149
D341,133 S *	11/1993	Miyake et al.	D14/357	D494,152 S *	8/2004	Sabick et al.	D14/149
D449,042 S *	10/2001	Chung	D14/228	D517,519 S *	3/2006	Skulley et al.	D14/149
D457,517 S *	5/2002	Chung	D14/228	D549,695 S *	8/2007	Lee	D14/227
6,424,724 B1 *	7/2002	Ming-Cheng	381/361	D557,690 S *	12/2007	Lee	D14/228

* cited by examiner

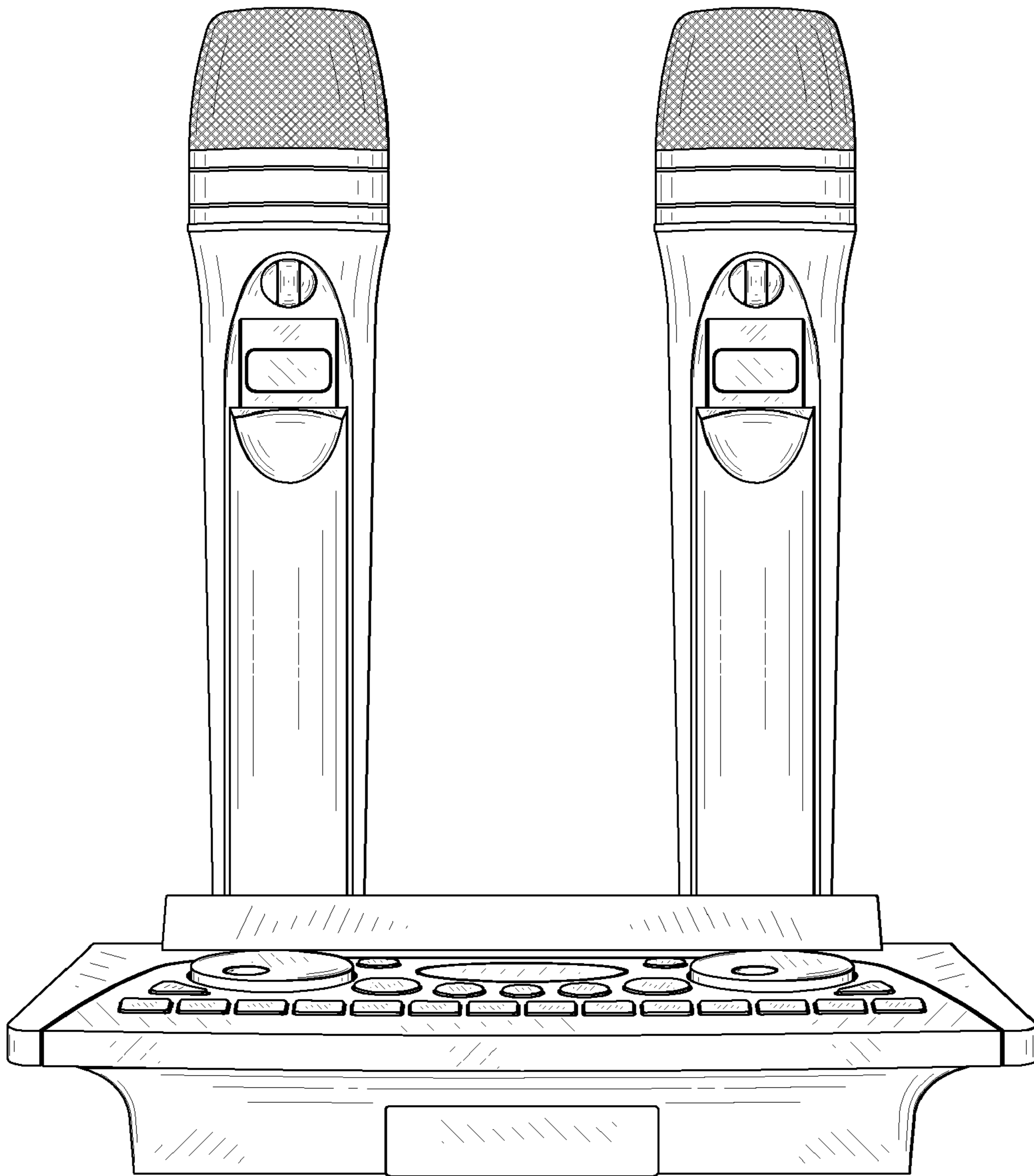


FIG. 1

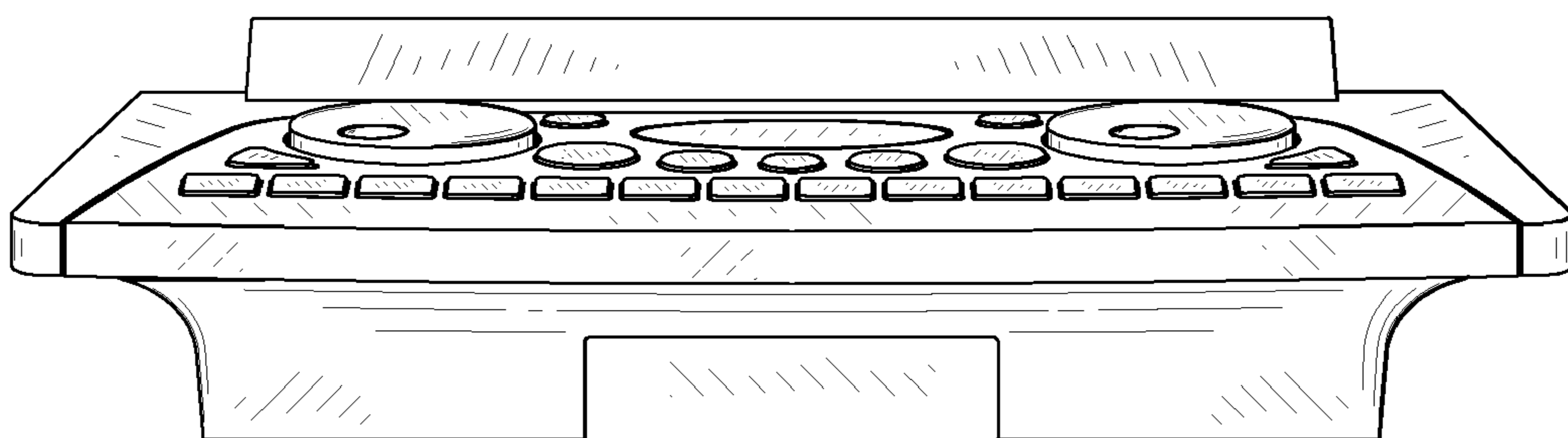


FIG. 2

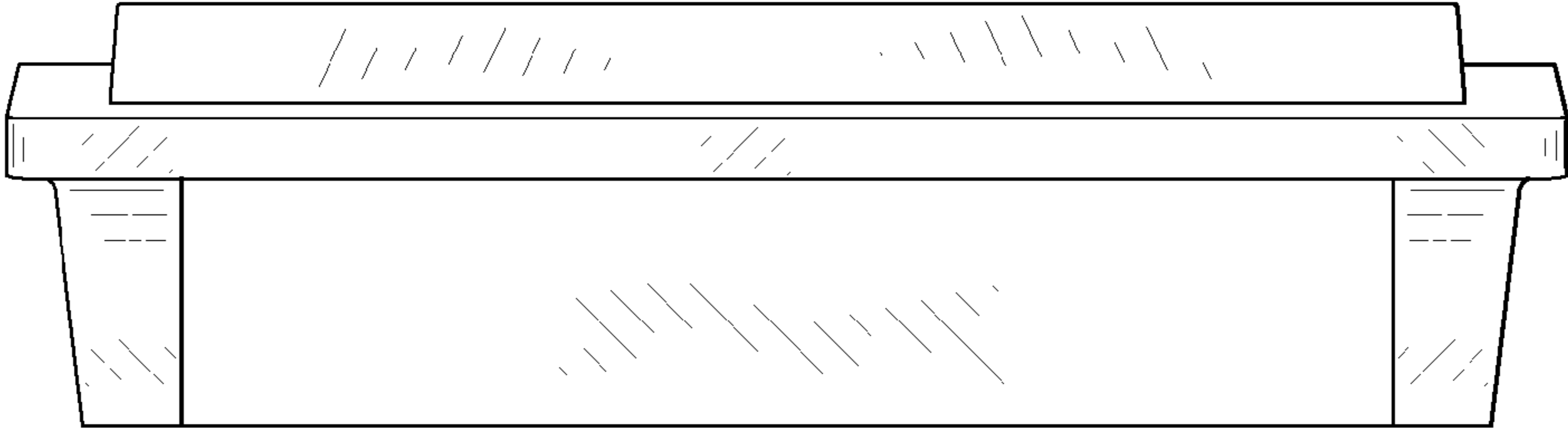


FIG. 3

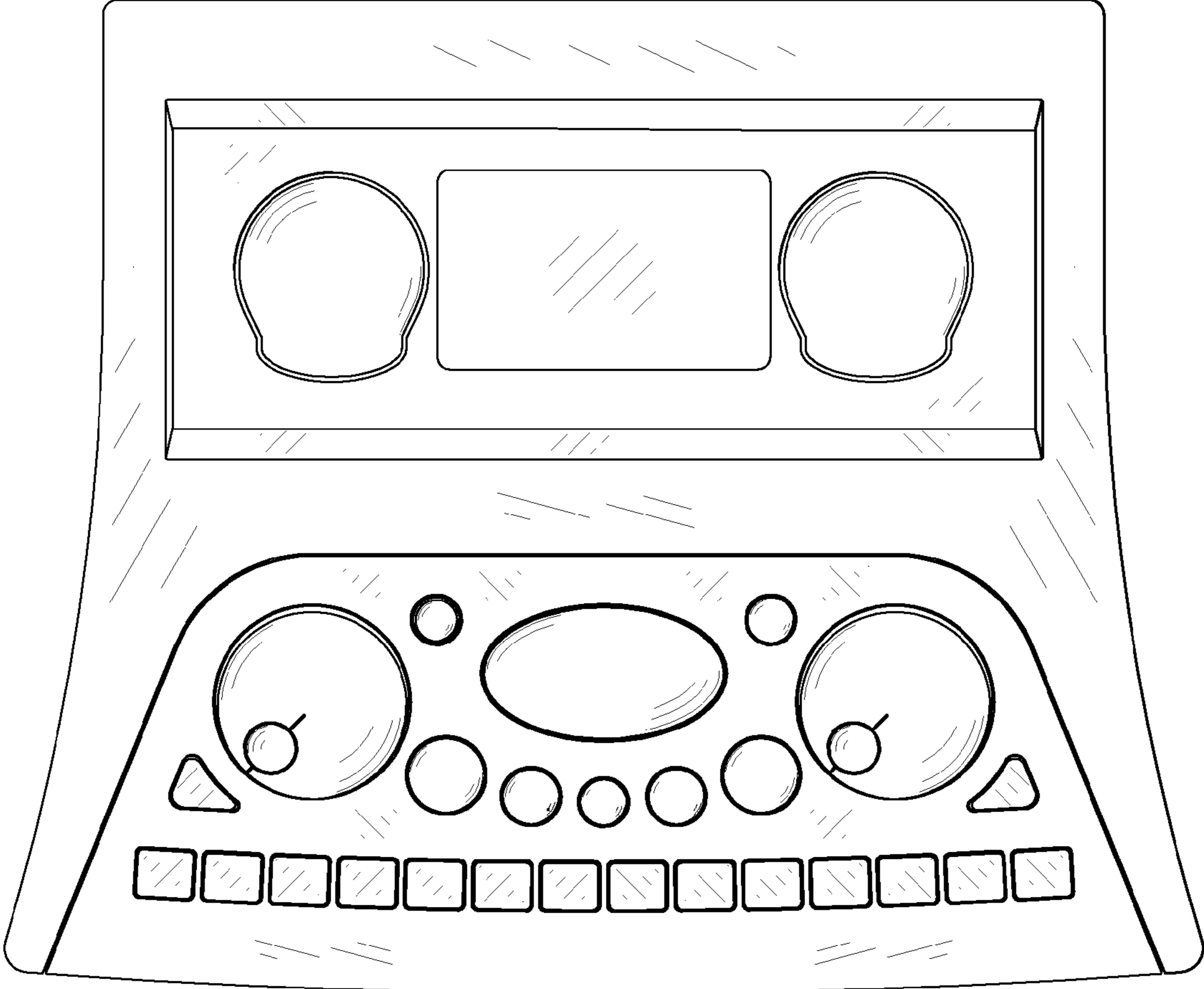


FIG. 4

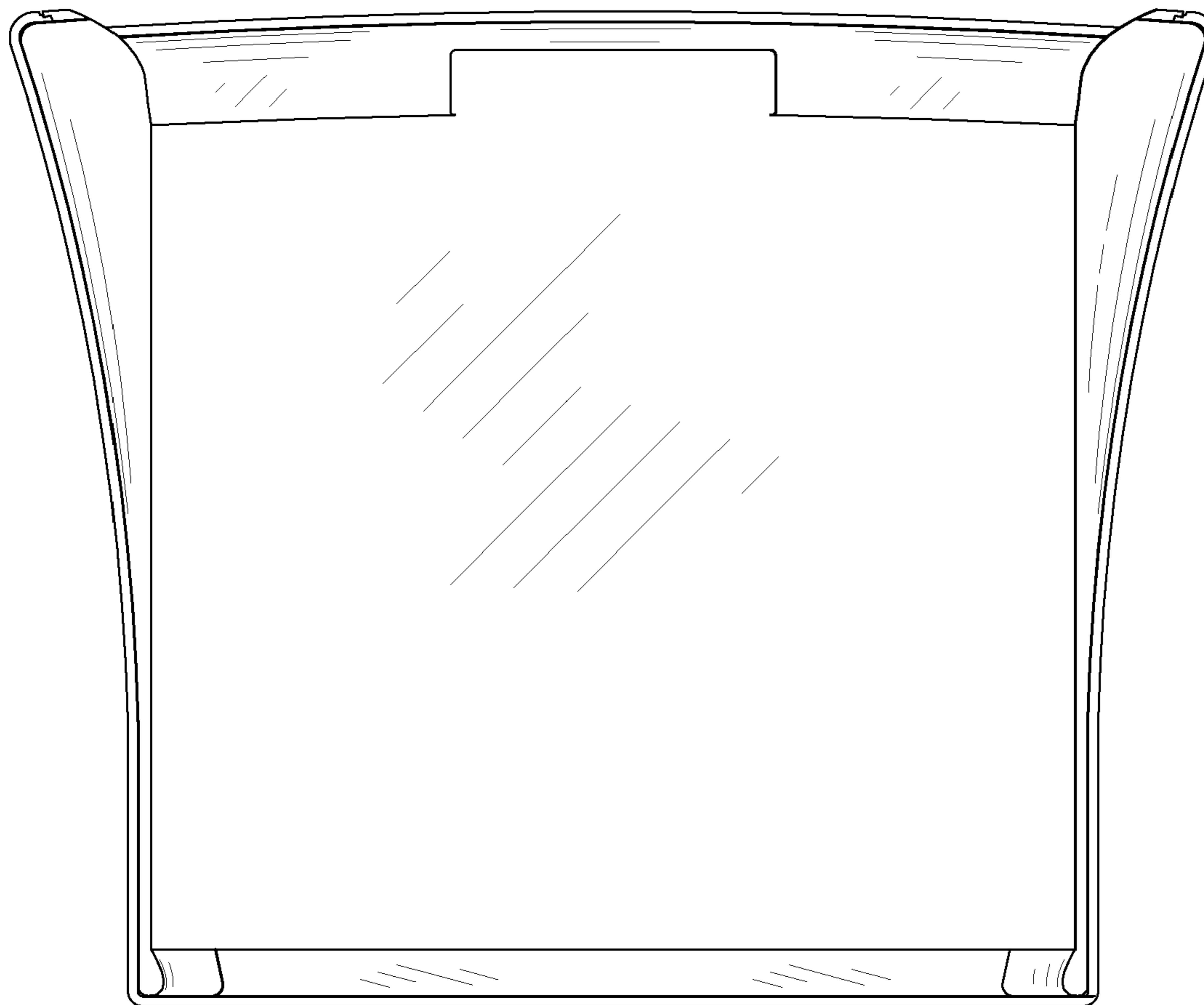


FIG. 5

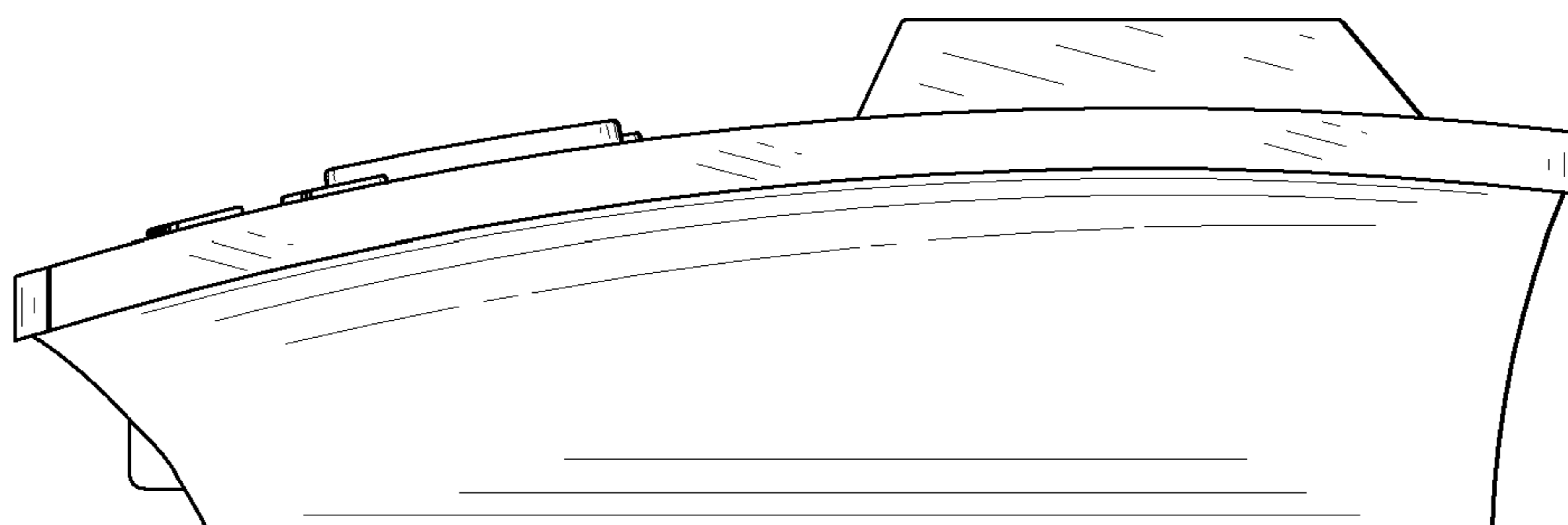


FIG. 6

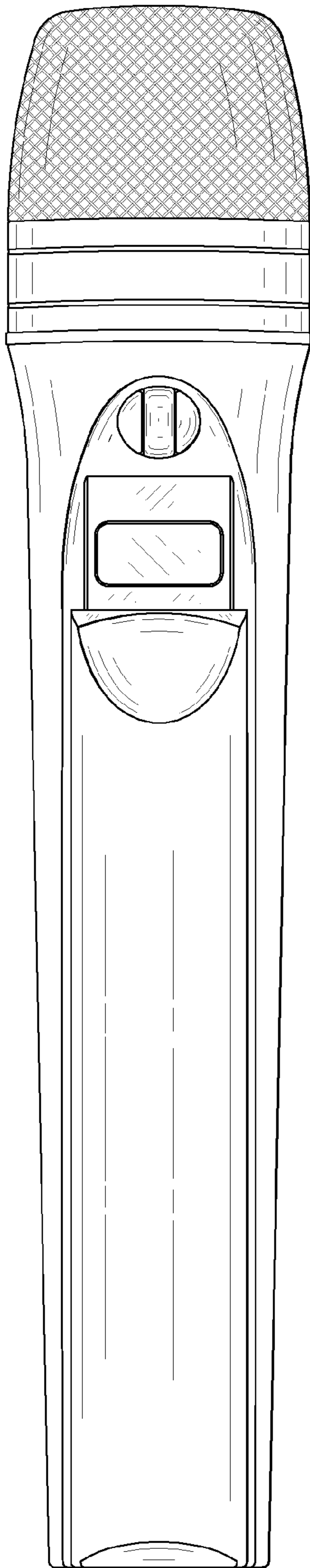


FIG. 7

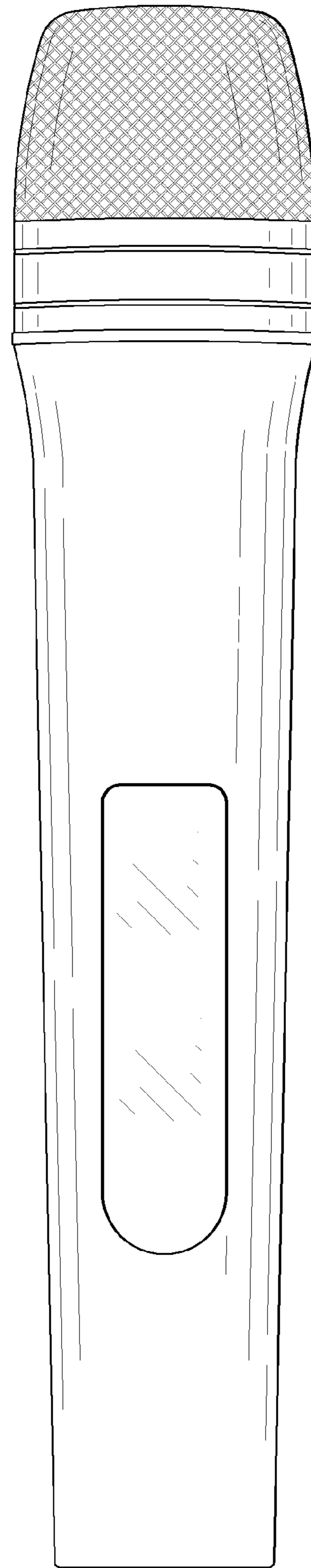


FIG. 8



FIG. 9

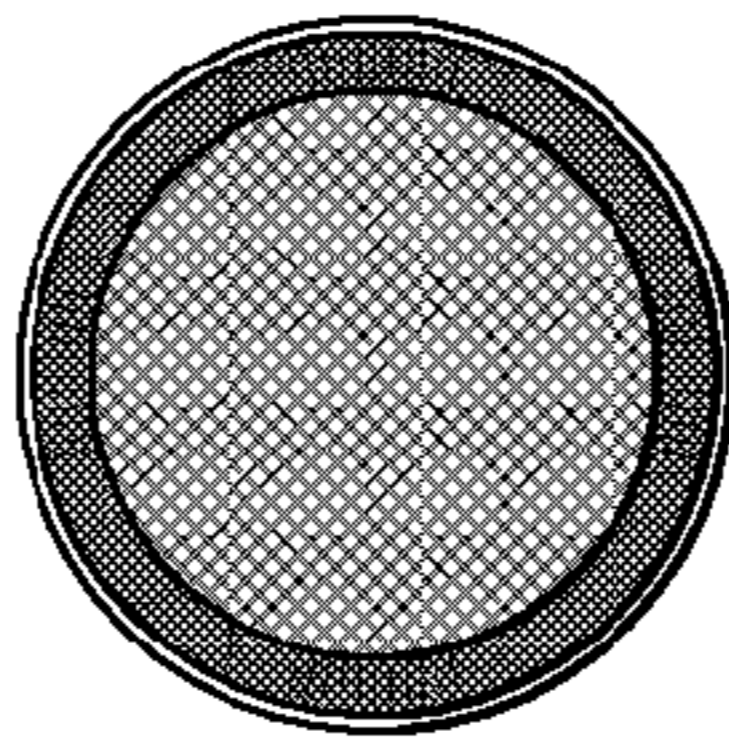


FIG. 10

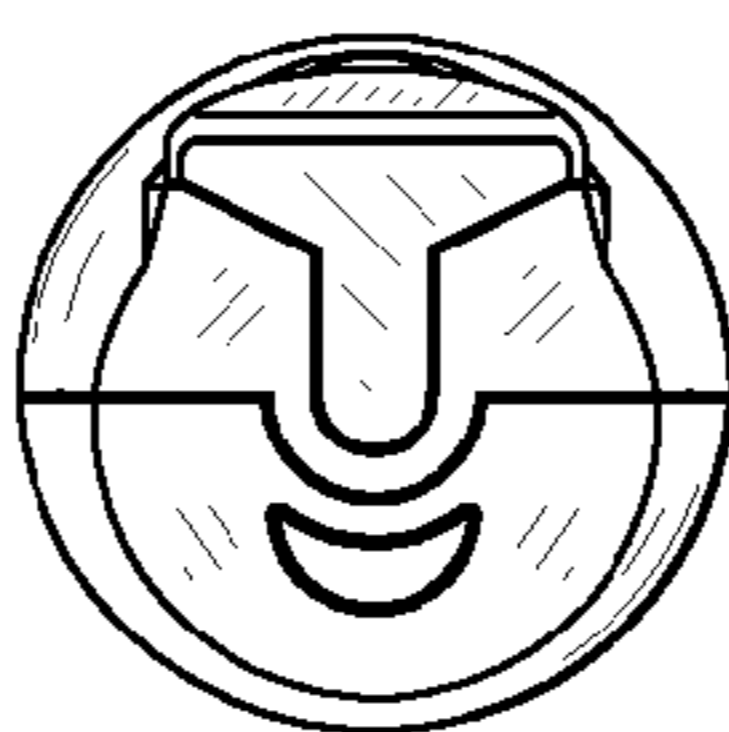


FIG. 11

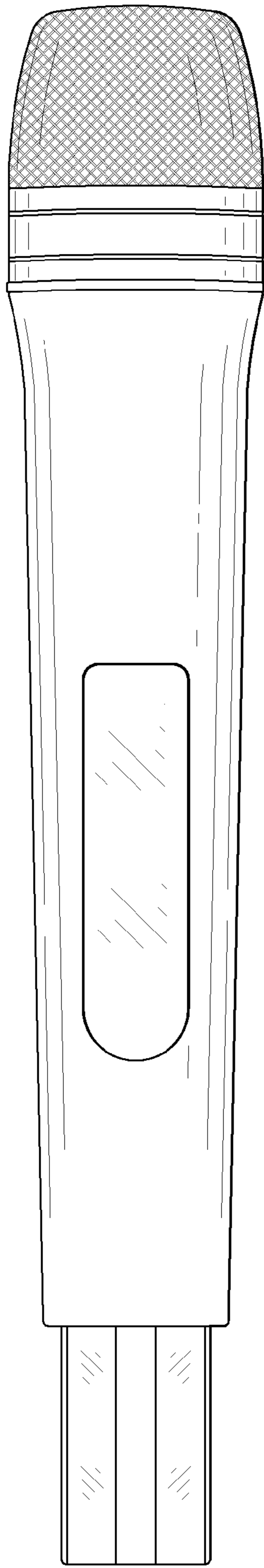


FIG. 12

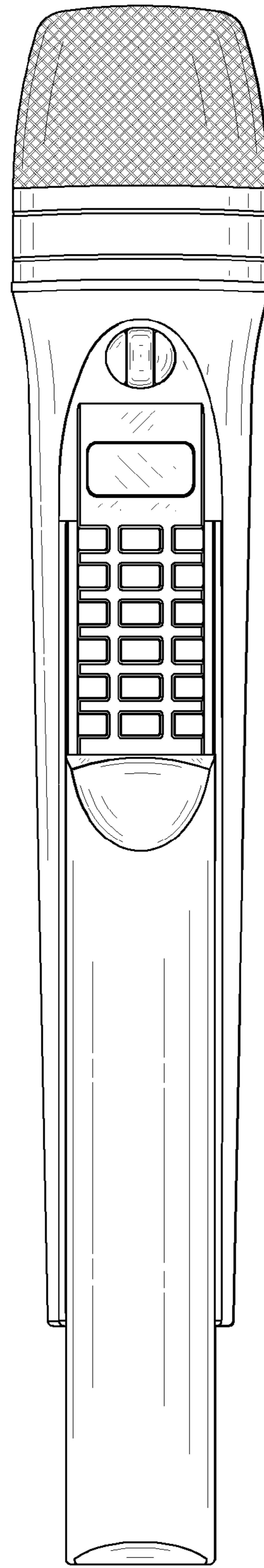


FIG. 13