



US00D587249S

(12) **United States Design Patent**
Densho

(10) **Patent No.:** **US D587,249 S**
(45) **Date of Patent:** **** Feb. 24, 2009**

(54) **EARPHONE**

(75) Inventor: **Keiko Densho**, Tokyo (JP)

(73) Assignee: **Sony Corporation**, Tokyo (JP)

(**) Term: **14 Years**

(21) Appl. No.: **29/300,199**

(22) Filed: **Feb. 29, 2008**

(30) **Foreign Application Priority Data**

Aug. 31, 2007 (JP) D2007-023857

(51) **LOC (9) Cl.** **14-01**

(52) **U.S. Cl.** **D14/223**

(58) **Field of Classification Search** D14/205,
D14/206, 223, 240, 249; 181/128, 129, 130,
181/135, 137; 381/381; 379/430, 433; D24/174
See application file for complete search history.

(56) **References Cited**

U.S. PATENT DOCUMENTS

D106,823 S *	11/1937	Sears	D24/174
2,325,590 A *	7/1943	Carlisle et al.	381/328
2,430,229 A *	11/1947	Kelsey	381/338
2,787,670 A *	4/1957	Rowland	381/324
3,047,089 A *	7/1962	Zwislocki	181/135
3,983,336 A *	9/1976	Malek et al.	381/313
4,585,089 A *	4/1986	Topholm	181/135
4,972,492 A *	11/1990	Tanaka et al.	381/380
5,298,692 A *	3/1994	Ikeda et al.	181/135
D377,796 S	2/1997	Hayashi		
D459,342 S *	6/2002	Marion et al.	D14/223
D474,171 S *	5/2003	Suzuki	D14/206
D487,077 S *	2/2004	Obata	D14/223

D510,085 S	9/2005	Suzukii		
D533,867 S	12/2006	Koizumi		
D563,394 S *	3/2008	Donaldson et al.	D14/223
D564,495 S *	3/2008	Sasaki	D14/205
D566,099 S *	4/2008	Komiyama	D14/206
D567,217 S *	4/2008	Kamo et al.	D14/205
D572,703 S *	7/2008	Ledbetter et al.	D14/205
D574,361 S *	8/2008	Sasaki	D14/205
D575,773 S *	8/2008	Yanai	D14/223
D576,154 S *	9/2008	Ledbetter et al.	D14/223

FOREIGN PATENT DOCUMENTS

JP	D1305029 S	6/2006
JP	D1305030 S	6/2007

* cited by examiner

Primary Examiner—Paula Greene

(74) *Attorney, Agent, or Firm*—Rader, Fishman & Grauer, PLLC

(57) **CLAIM**

The ornamental design for an earphone, as shown.

DESCRIPTION

FIG. 1 is a front perspective view of an earphone showing my new design;

FIG. 2 is a rear perspective view thereof;

FIG. 3 is a front elevational view thereof;

FIG. 4 is a rear elevational view thereof;

FIG. 5 is a top plan view thereof;

FIG. 6 is a bottom plan view thereof;

FIG. 7 is a right side elevational view thereof; and,

FIG. 8 is a left side elevational view thereof.

1 Claim, 8 Drawing Sheets

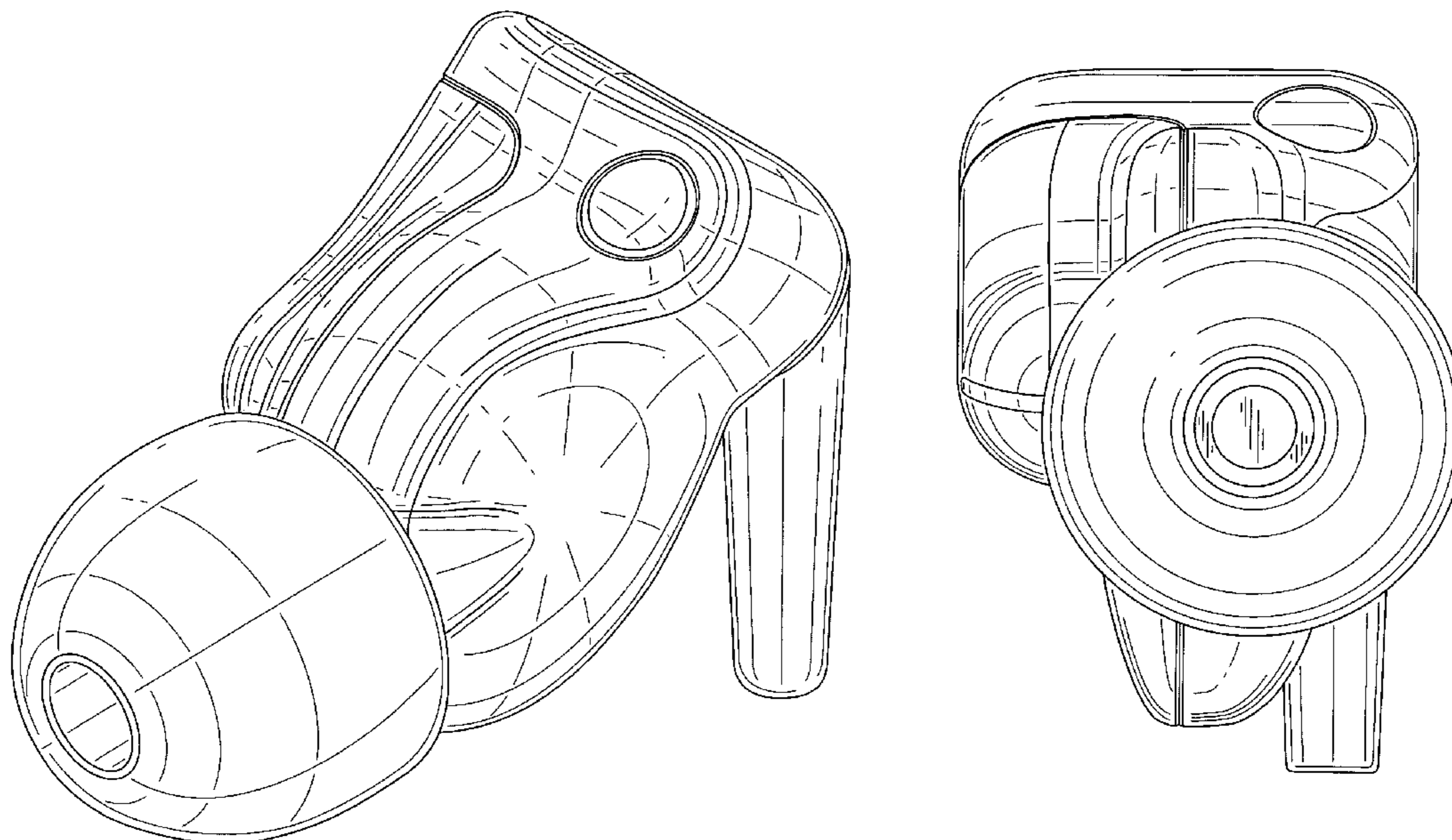


FIG.1

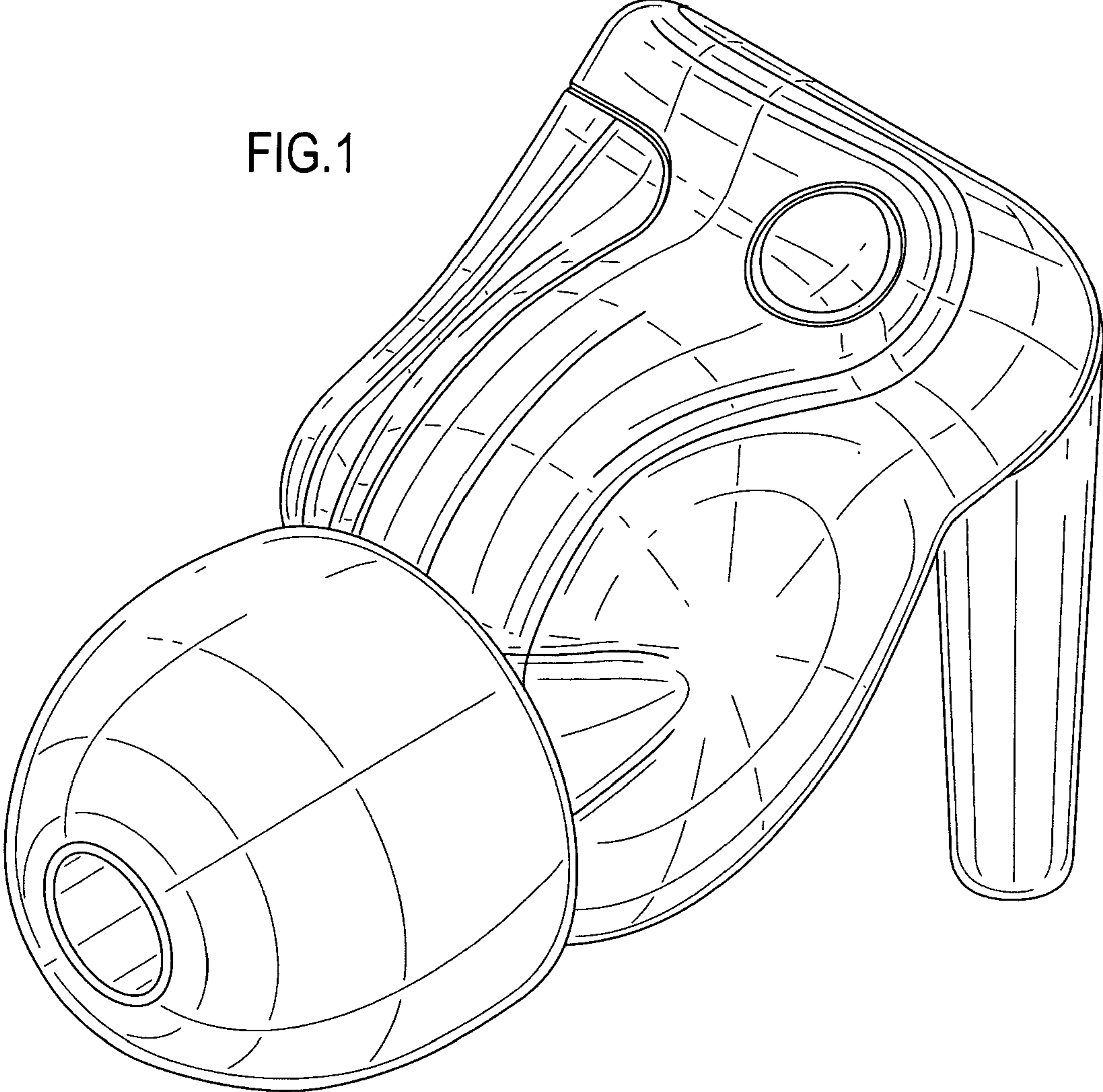


FIG.2

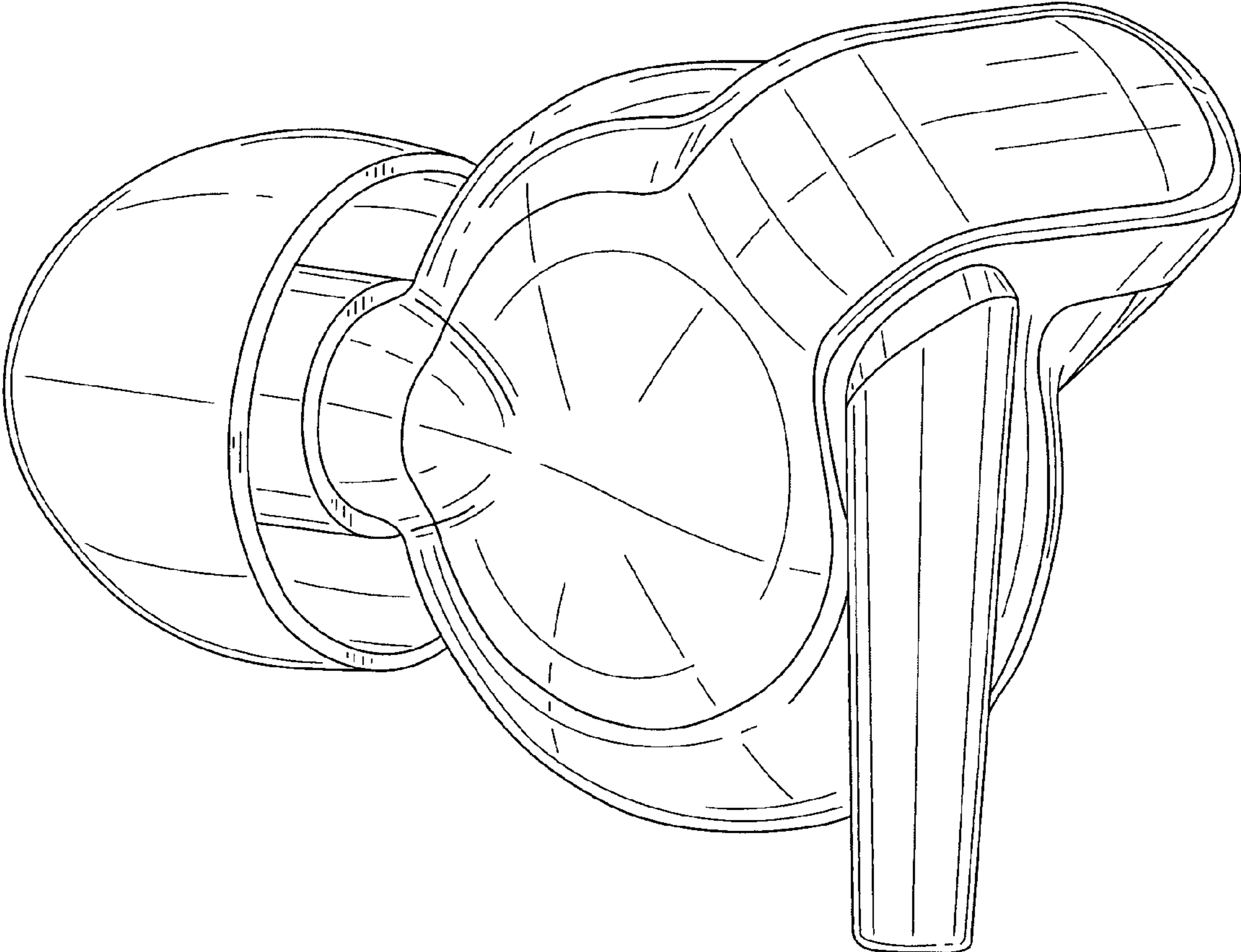


FIG.3

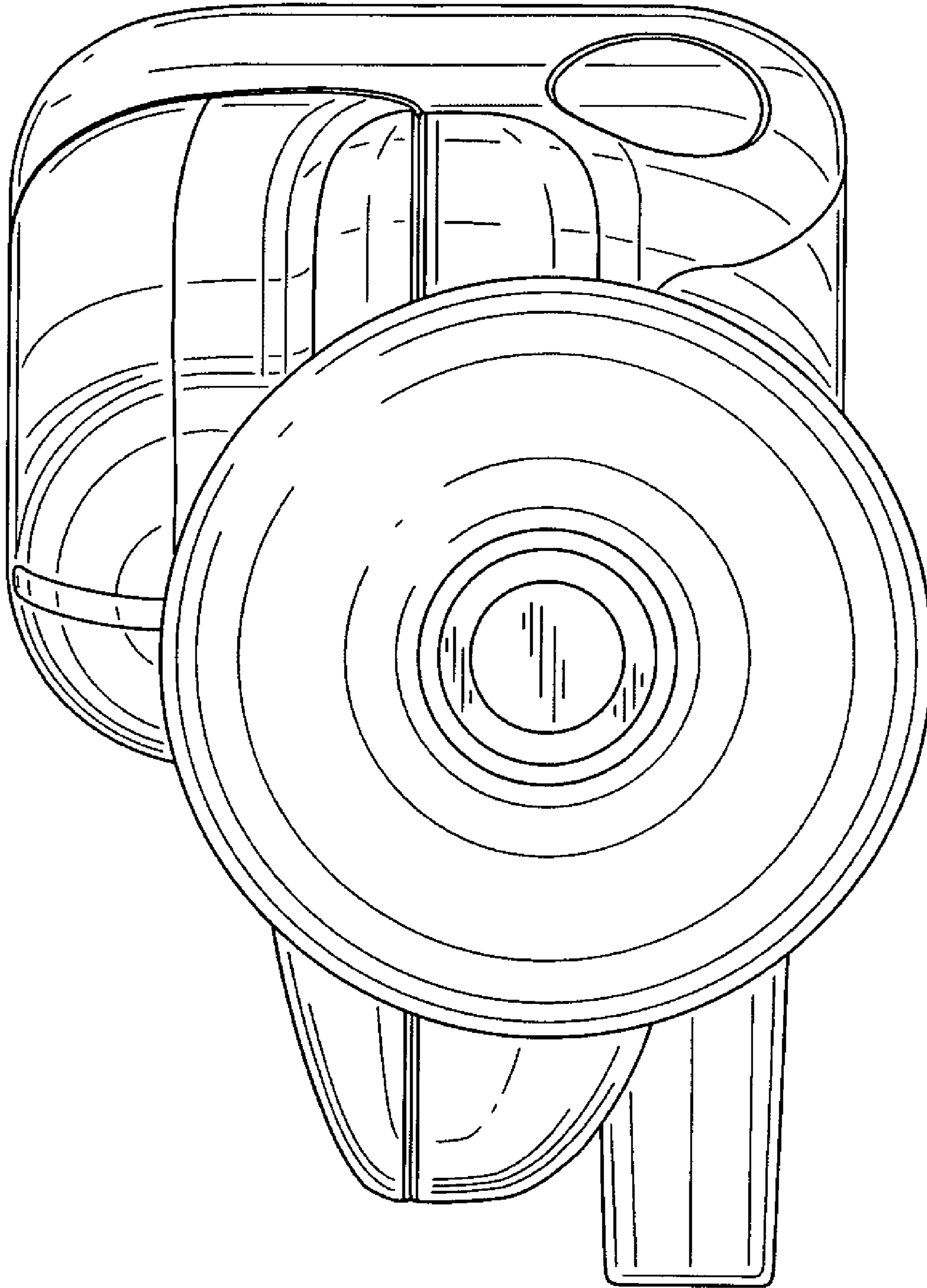


FIG.4

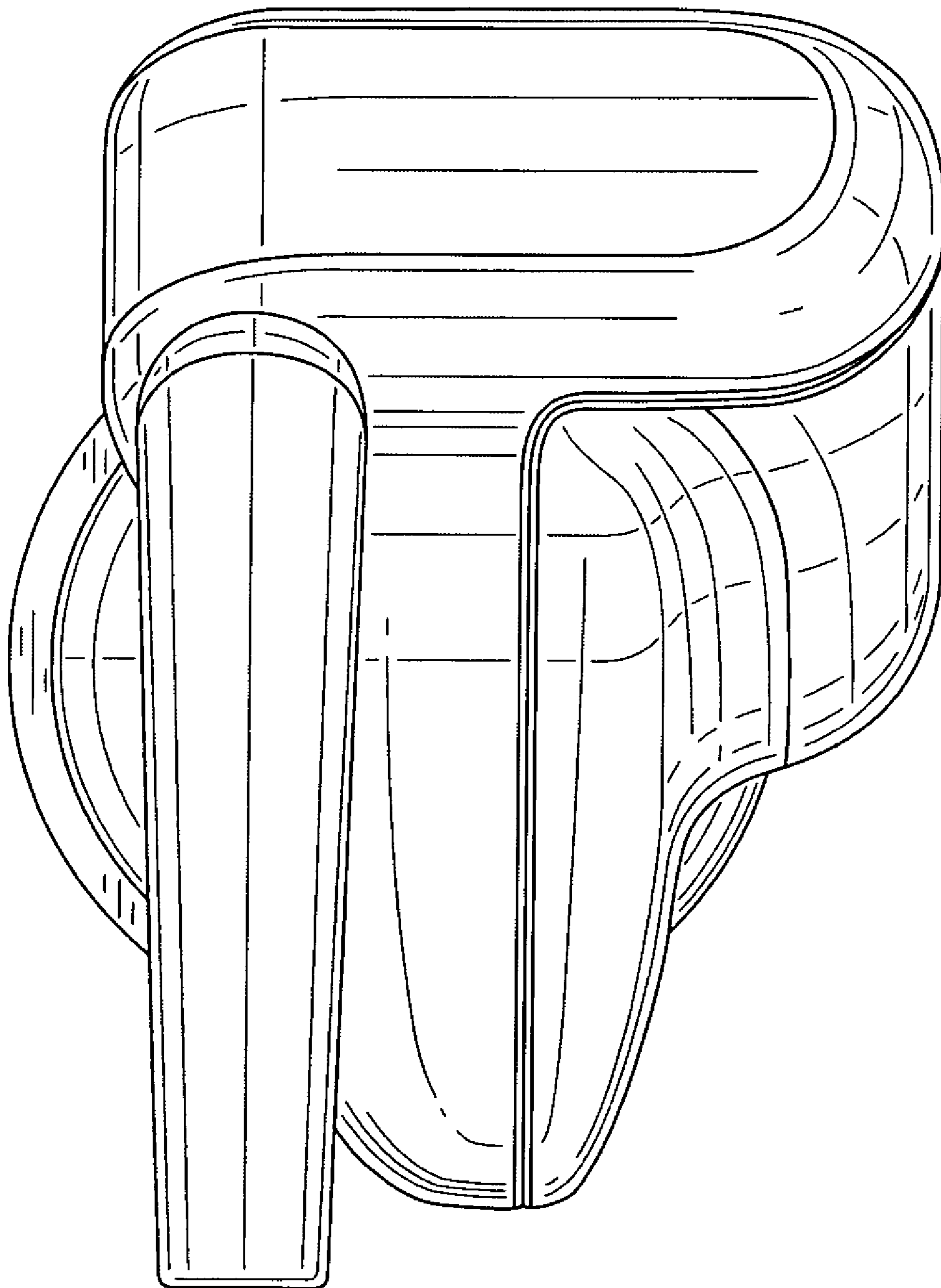


FIG.5

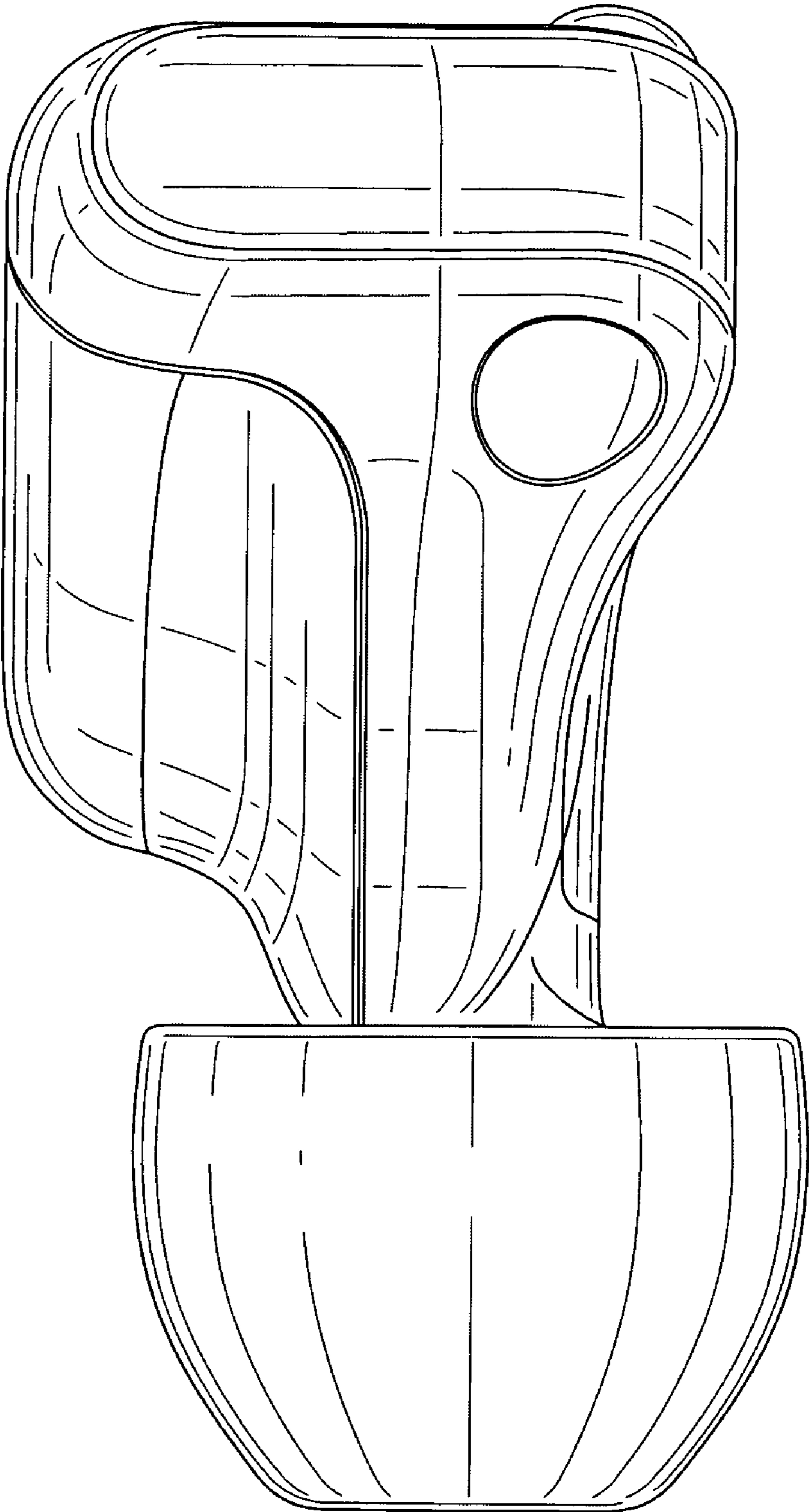
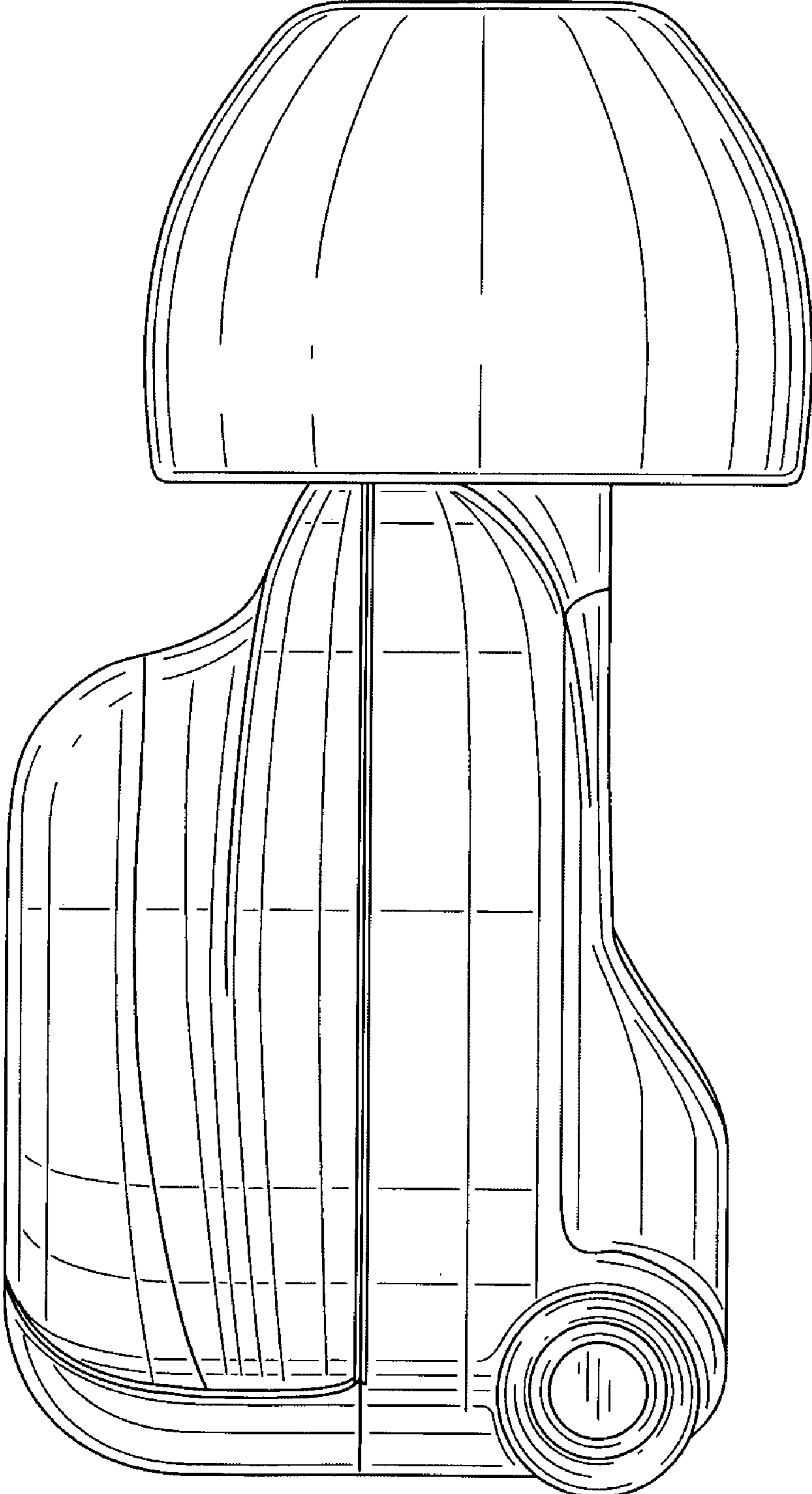


FIG.6



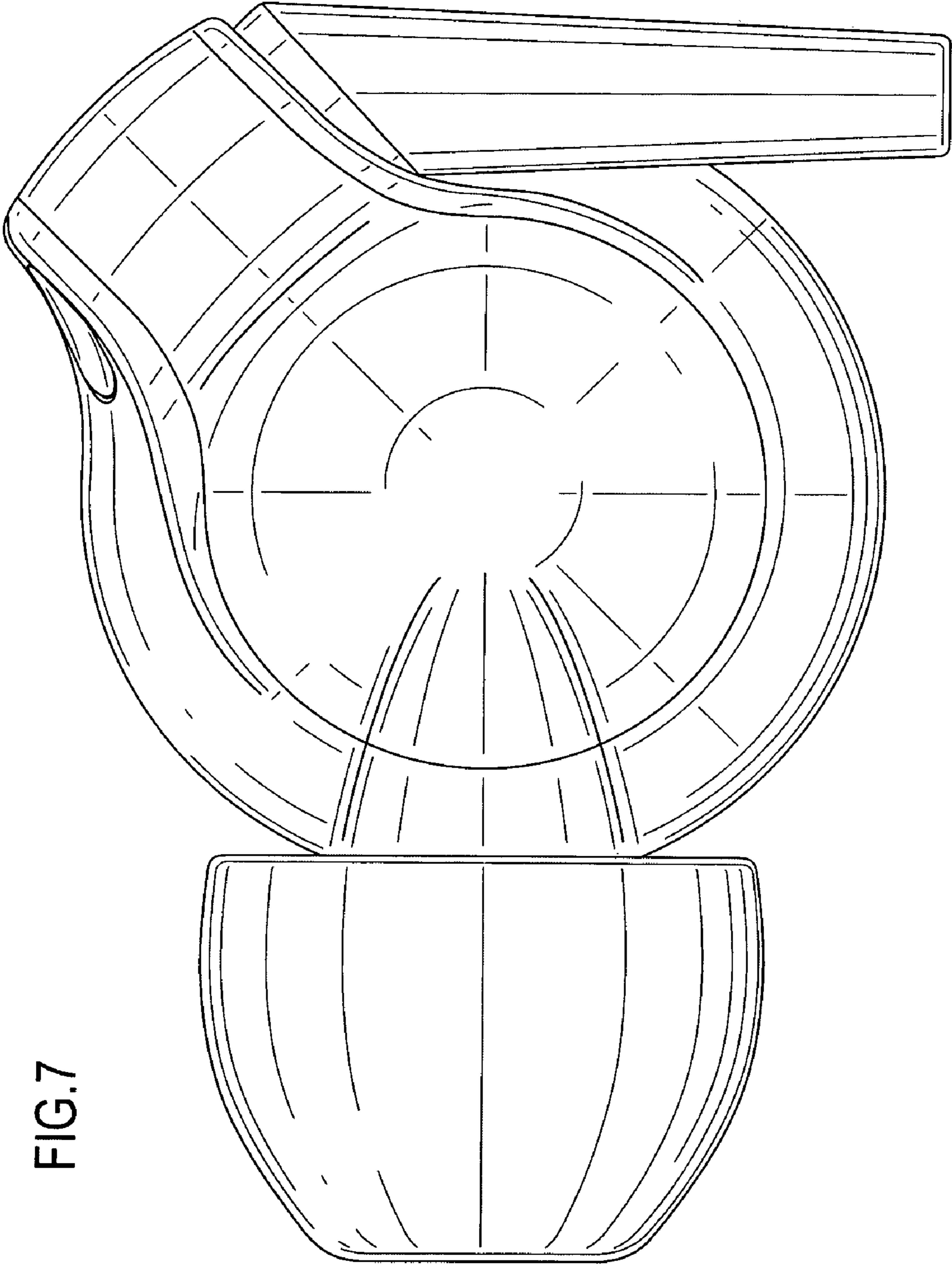


FIG. 7

FIG. 8

