



US00D587248S

(12) **United States Design Patent**  
**Densho**

(10) **Patent No.:** **US D587,248 S**  
(45) **Date of Patent:** **\*\* Feb. 24, 2009**

(54) **EARPHONE**

(75) Inventor: **Keiko Densho**, Tokyo (JP)

(73) Assignee: **Sony Corporation**, Tokyo (JP)

(\*\*) Term: **14 Years**

(21) Appl. No.: **29/300,198**

(22) Filed: **Feb. 29, 2008**

(30) **Foreign Application Priority Data**

Aug. 31, 2007 (JP) ..... D2007-023861

(51) **LOC (9) Cl.** ..... **14-01**

(52) **U.S. Cl.** ..... **D14/223**

(58) **Field of Classification Search** ..... D14/205,  
D14/206, 223, 242, 243, 188, 192, 240, 249;  
181/128, 129, 130, 135, 137; 381/381, 370;  
379/430, 431, 444, 433; D24/174; D21/405;  
D10/40

See application file for complete search history.

(56) **References Cited**

**U.S. PATENT DOCUMENTS**

D106,823 S *	11/1937	Sears	.....	D24/174
D135,674 S *	5/1943	Williams et al.	.....	D14/205
D304,944 S *	12/1989	Behringer	.....	D14/188
D314,964 S *	2/1991	Chung	.....	D14/192
D350,133 S *	8/1994	Kanno	.....	D14/198
D377,796 S	2/1997	Hayashi		
D382,307 S *	8/1997	Sharpe et al.	.....	D21/405
D396,722 S *	8/1998	Benedetti	.....	D14/195
D437,314 S *	2/2001	DeLeon	.....	D14/242
D440,551 S *	4/2001	Bolas et al.	.....	D14/188

D444,141 S *	6/2001	Koss et al.	.....	D14/223
D481,374 S *	10/2003	Lee	.....	D14/188
D510,085 S	9/2005	Suzuki		
D519,981 S *	5/2006	Lai	.....	D14/188
D525,241 S *	7/2006	Dyer	.....	D14/243
D533,867 S	12/2006	Koizumi		

**FOREIGN PATENT DOCUMENTS**

JP	1305029 S	6/2007
JP	1305030 S	6/2007

\* cited by examiner

*Primary Examiner*—Paula Greene

(74) *Attorney, Agent, or Firm*—Rader, Fishman & Grauer, PLLC

(57) **CLAIM**

The ornamental design for an earphone, as shown and described.

**DESCRIPTION**

FIG. 1 is a front perspective view of an earphone showing my new design, the undisclosed opposite perspective view is not part of the claimed design;

FIG. 2 is a rear perspective view thereof;

FIG. 3 is a front elevational view thereof;

FIG. 4 is a rear elevational view thereof;

FIG. 5 is a top plan view thereof;

FIG. 6 is a bottom plan view thereof; and,

FIG. 7 is a left side elevational view thereof.

The portions indicated in broken lines are for illustrative purposes only and form no part of the claimed design.

**1 Claim, 7 Drawing Sheets**

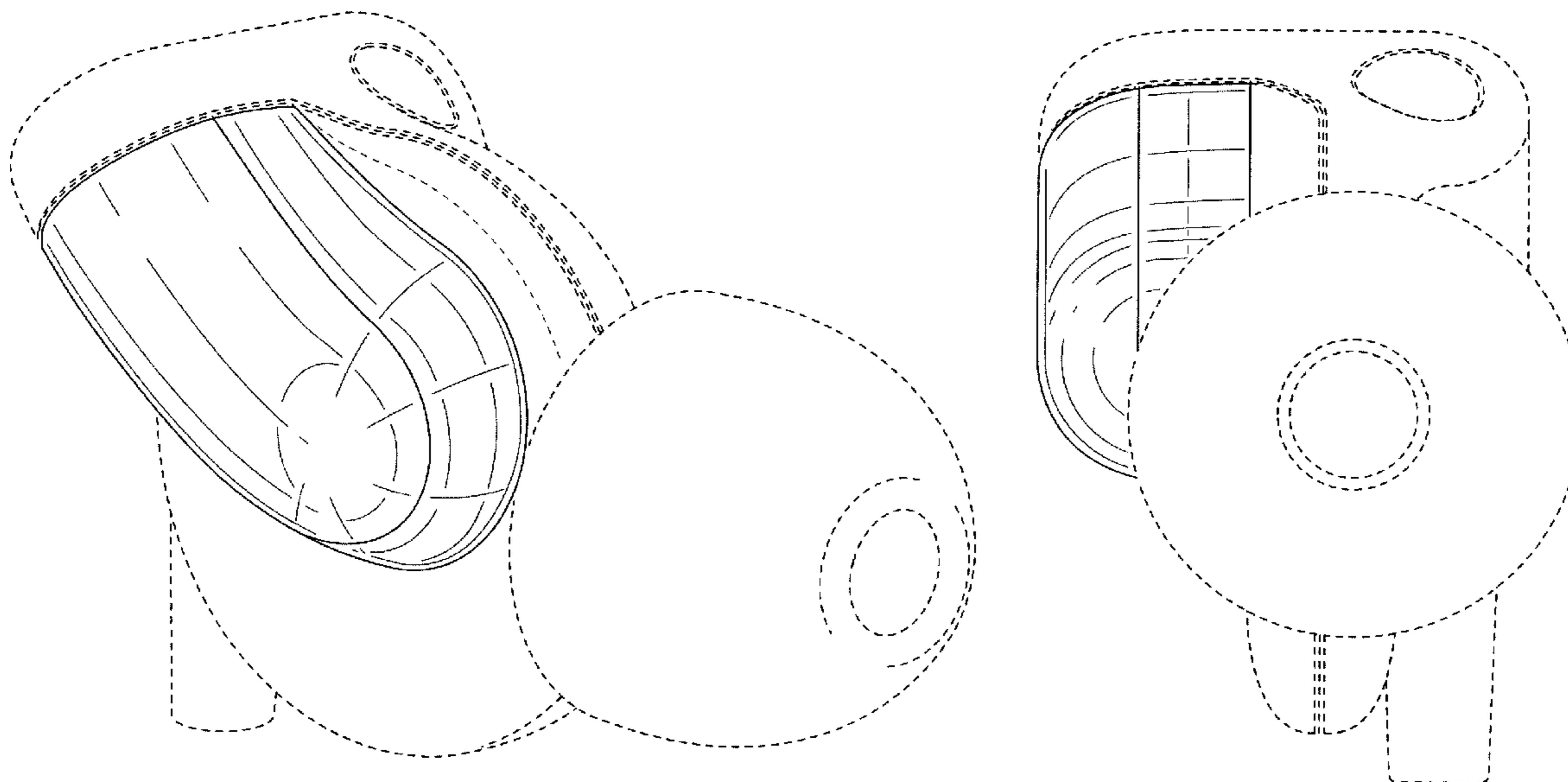


FIG.1

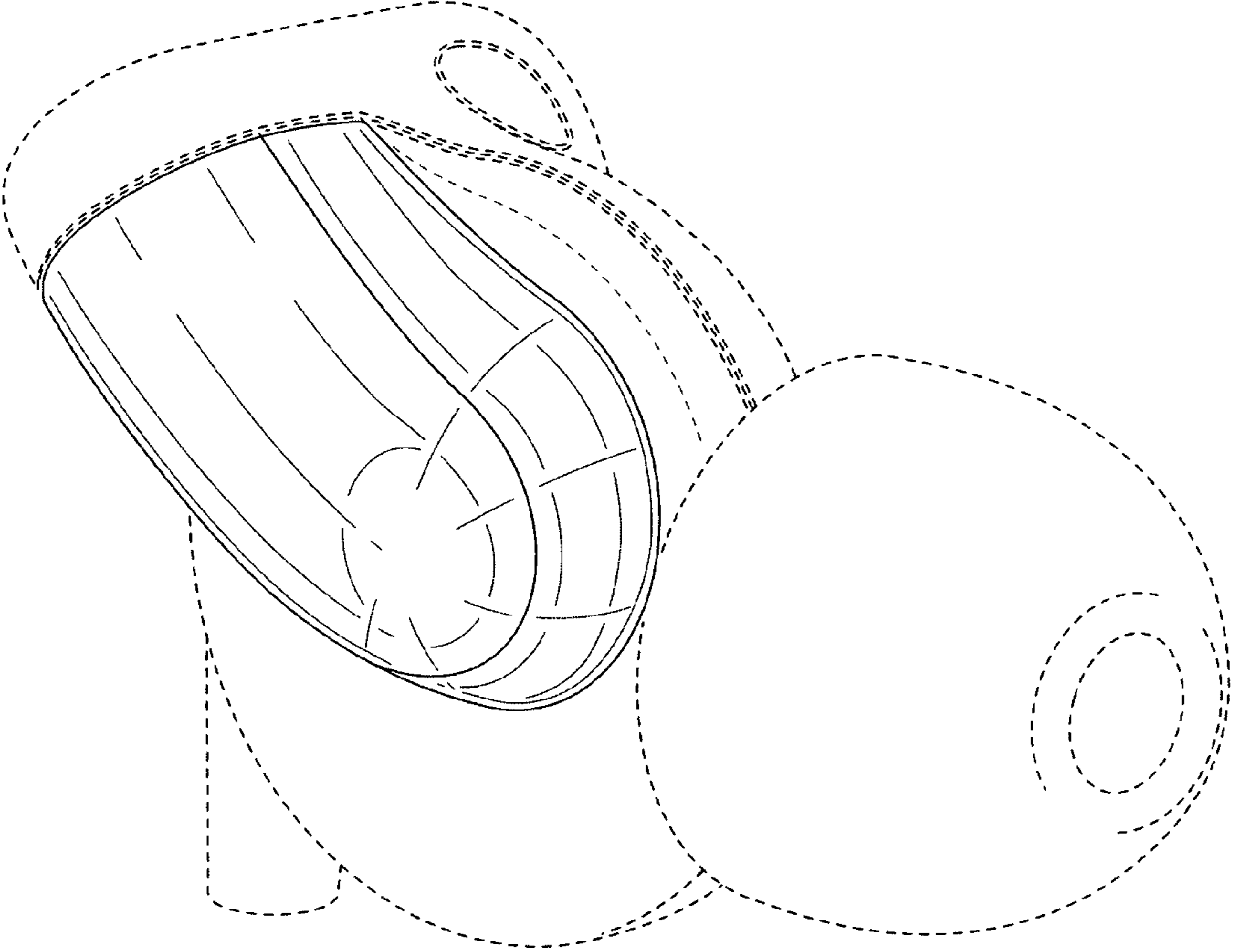


FIG.2

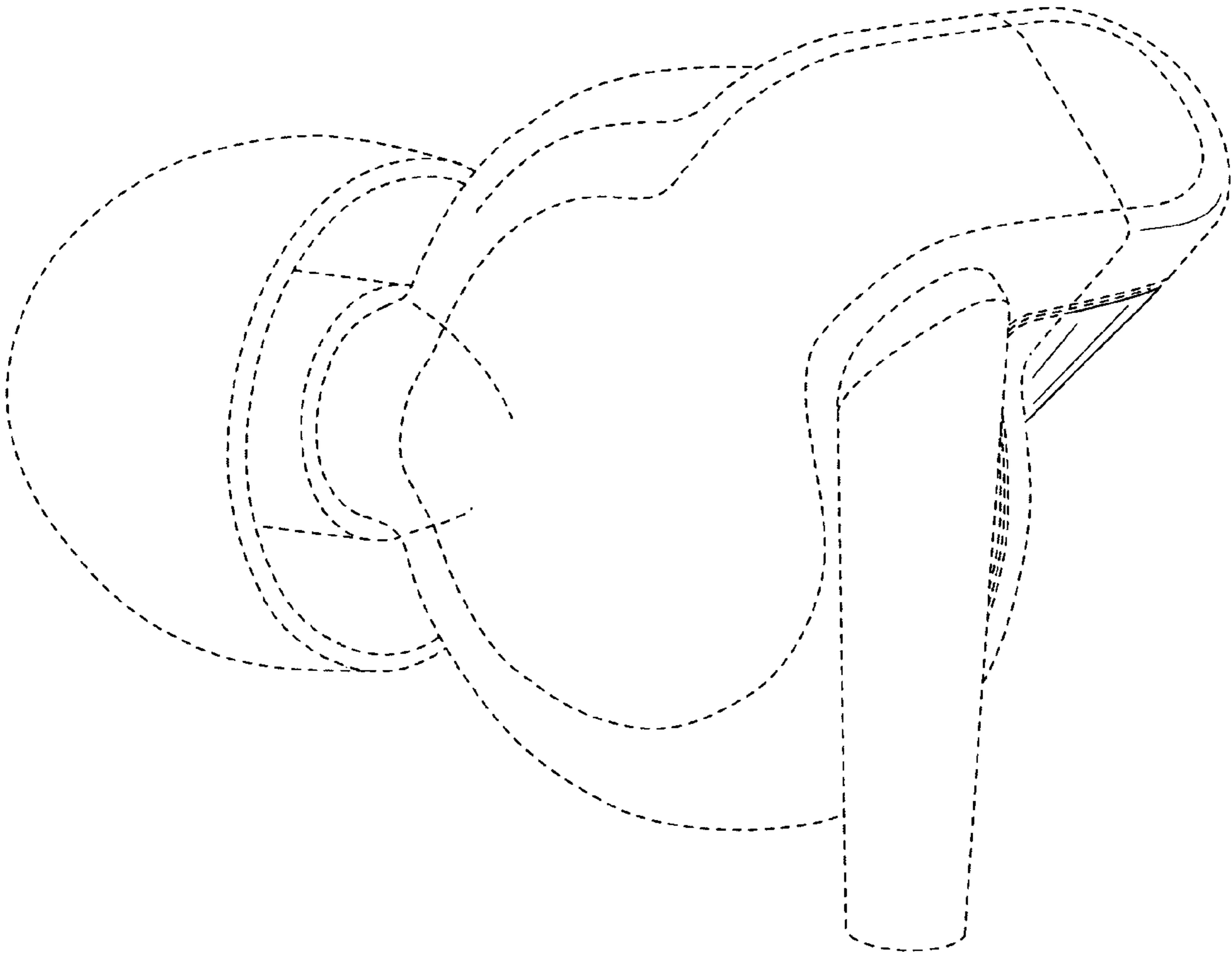


FIG.3

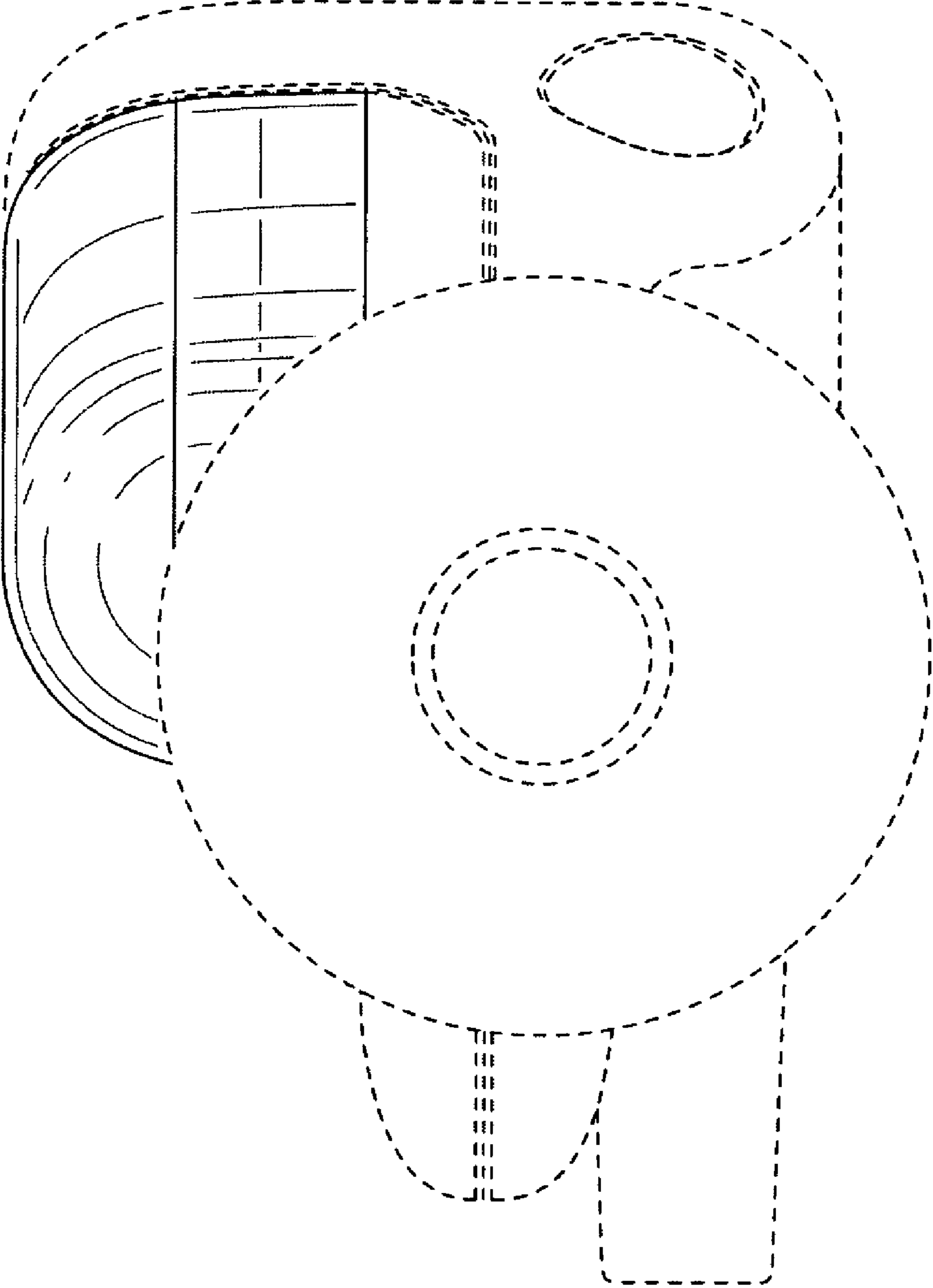


FIG.4

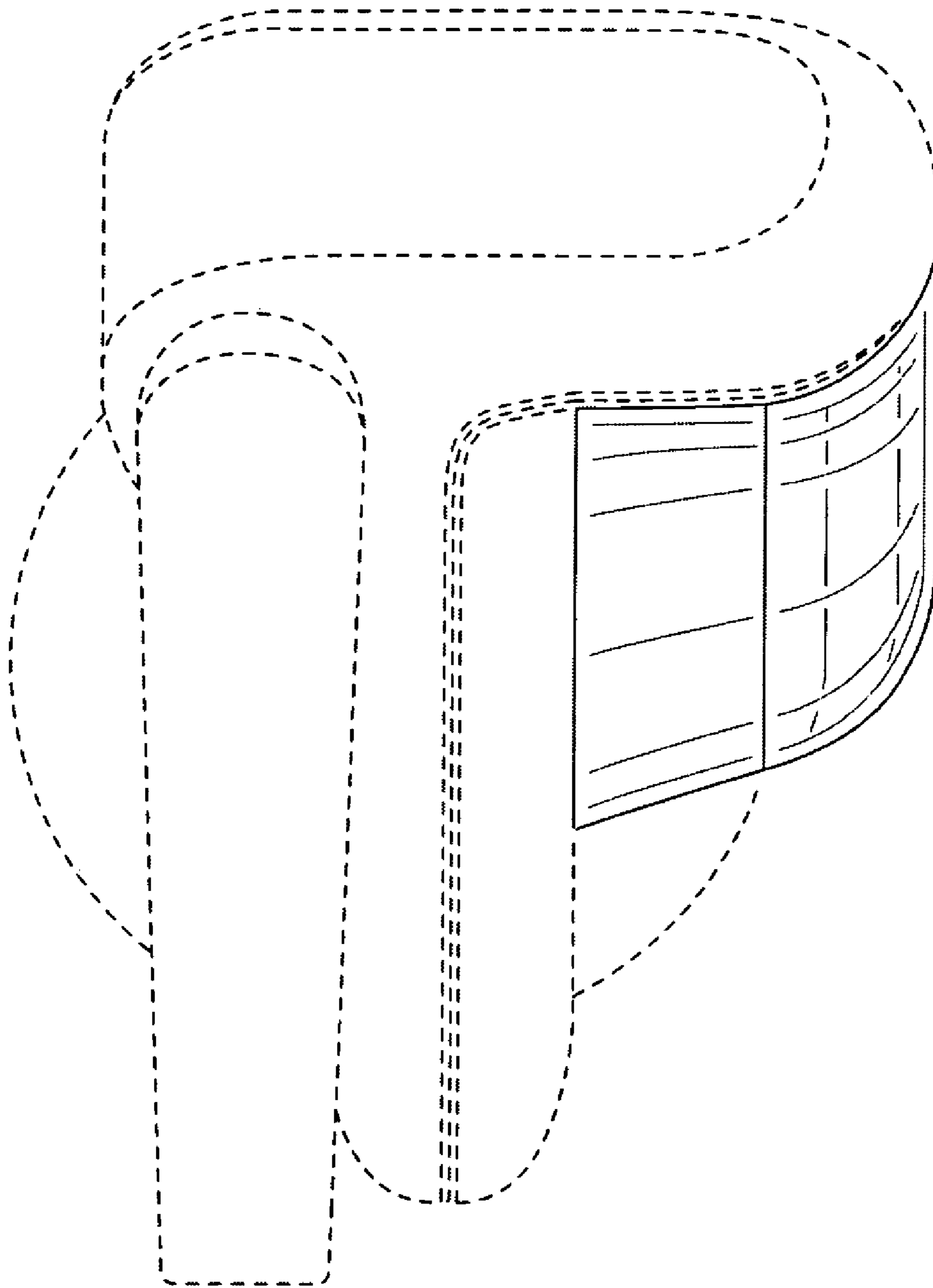


FIG.5

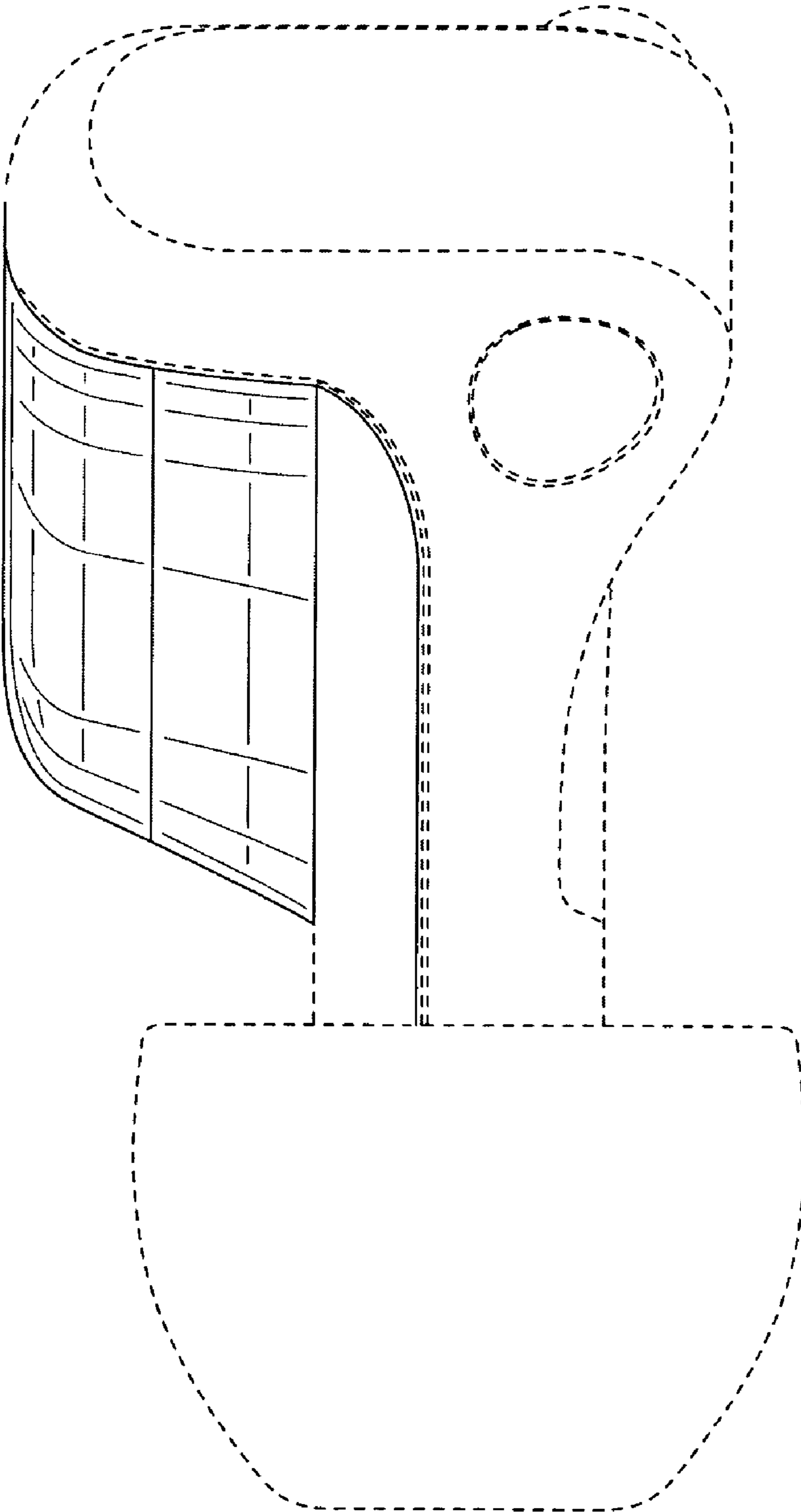


FIG.6

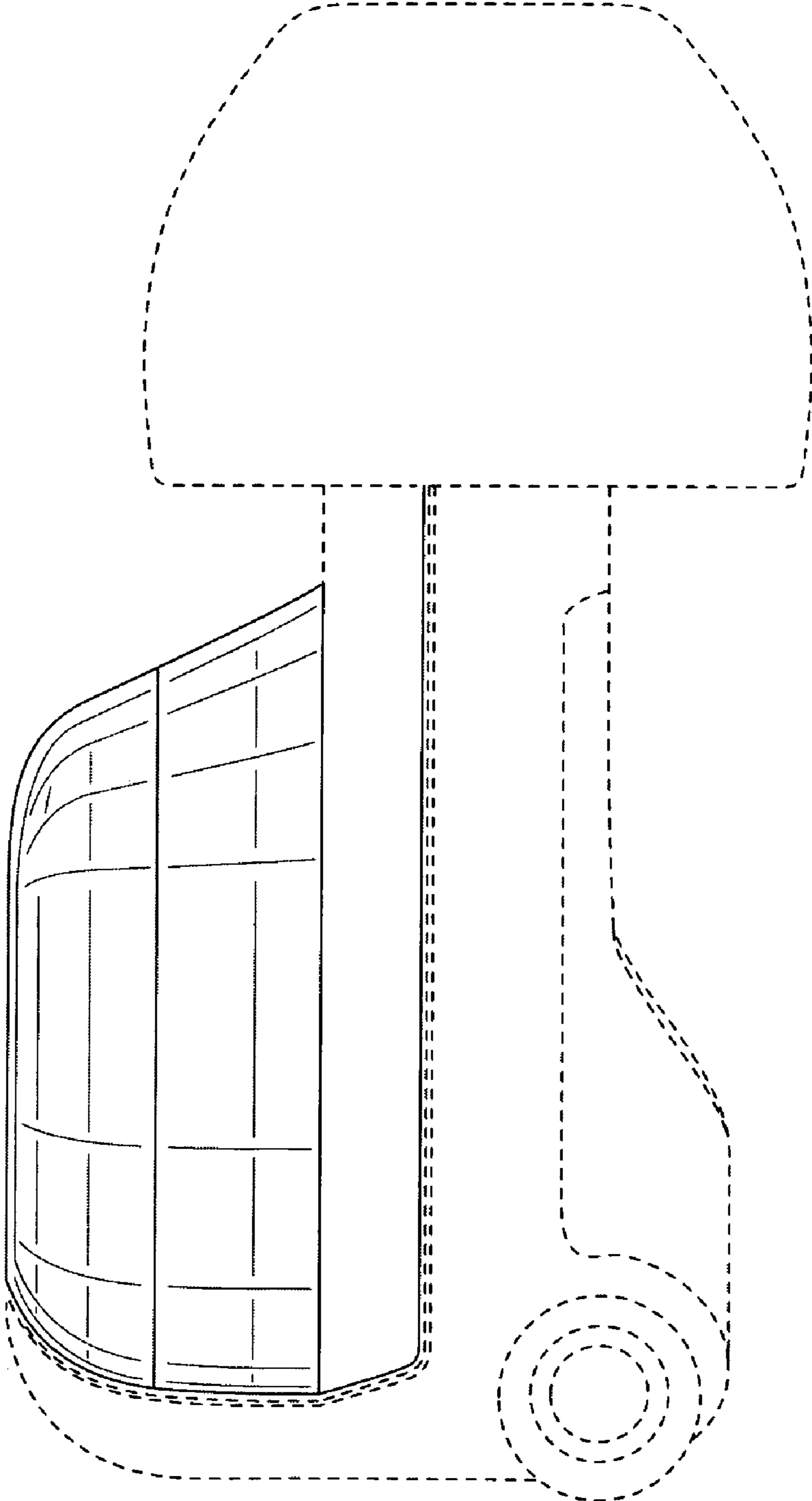


FIG.7

