



US00D587247S

(12) **United States Design Patent**  
**Densho**

(10) **Patent No.:** **US D587,247 S**  
(45) **Date of Patent:** **\*\* Feb. 24, 2009**

(54) **EARPHONE**

(75) Inventor: **Keiko Densho**, Tokyo (JP)

(73) Assignee: **Sony Corporation**, Tokyo (JP)

(\*\*) Term: **14 Years**

(21) Appl. No.: **29/300,196**

(22) Filed: **Feb. 29, 2008**

(30) **Foreign Application Priority Data**

Aug. 31, 2007 (JP) ..... D2007-023864

(51) **LOC (9) Cl.** ..... **14-01**

(52) **U.S. Cl.** ..... **D14/223**

(58) **Field of Classification Search** ..... D14/205,  
D14/206, 223, 240, 249, 188, 192; 181/129,  
181/130; 381/381, 380, 370, 322; 379/430,  
379/433; 128/864, 865; D24/174, 106

See application file for complete search history.

(56) **References Cited**

U.S. PATENT DOCUMENTS

2,430,229	A *	11/1947	Kelsey	.....	381/338
D377,796	S	2/1997	Hayashi		
6,418,230	B1 *	7/2002	McDonald et al.	.....	381/381
D468,301	S *	1/2003	Fushimi	.....	D14/223
D508,479	S *	8/2005	Okada	.....	D14/206
D510,085	S	9/2005	Suzuki		
D514,094	S *	1/2006	Griffin	.....	D14/223
7,092,543	B1 *	8/2006	Mahoney et al.	.....	381/328
D533,867	S	12/2006	Koizumi		
D539,268	S *	3/2007	Suzuki	.....	D14/206
7,221,768	B2 *	5/2007	Sjursen et al.	.....	381/322
D550,657	S *	9/2007	Gan et al.	.....	D14/223
D554,756	S *	11/2007	Sjursen et al.	.....	D24/174

D563,394	S *	3/2008	Donaldson et al.	.....	D14/223
D566,099	S *	4/2008	Komiyama	.....	D14/206
D567,217	S *	4/2008	Kamo et al.	.....	D14/205
D574,361	S *	8/2008	Sasaki	.....	D14/205
D574,814	S *	8/2008	Hammond	.....	D14/223
D575,773	S *	8/2008	Yanai	.....	D14/223

FOREIGN PATENT DOCUMENTS

JP	1305029	S	6/2007
JP	1305030	S	6/2007

\* cited by examiner

*Primary Examiner*—Paula Greene

(74) *Attorney, Agent, or Firm*—Rader, Fishman & Grauer, PLLC

(57) **CLAIM**

The ornamental design for an earphone, as shown and described.

**DESCRIPTION**

FIG. 1 is a front perspective view of an earphone showing my new design;

FIG. 2 is a rear perspective view thereof;

FIG. 3 is a front elevational view thereof;

FIG. 4 is a rear elevational view thereof;

FIG. 5 is a top plan view thereof;

FIG. 6 is a bottom plan view thereof;

FIG. 7 is a left side elevational view thereof; and,

FIG. 8 is a right side elevational view thereof.

The portions indicated in broken lines are for illustrative purposes only and form no part of the claimed design.

**1 Claim, 8 Drawing Sheets**

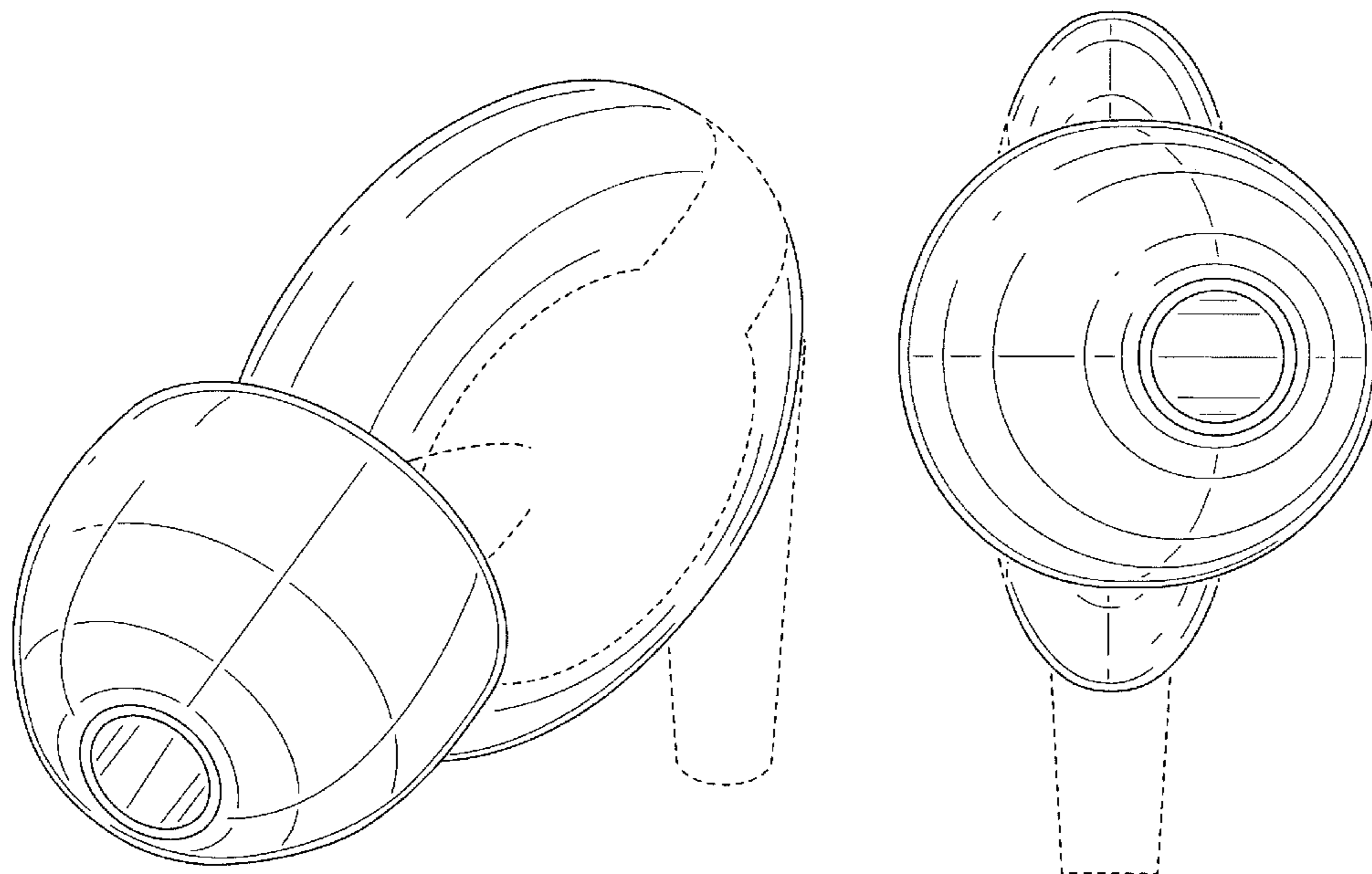


FIG. 1

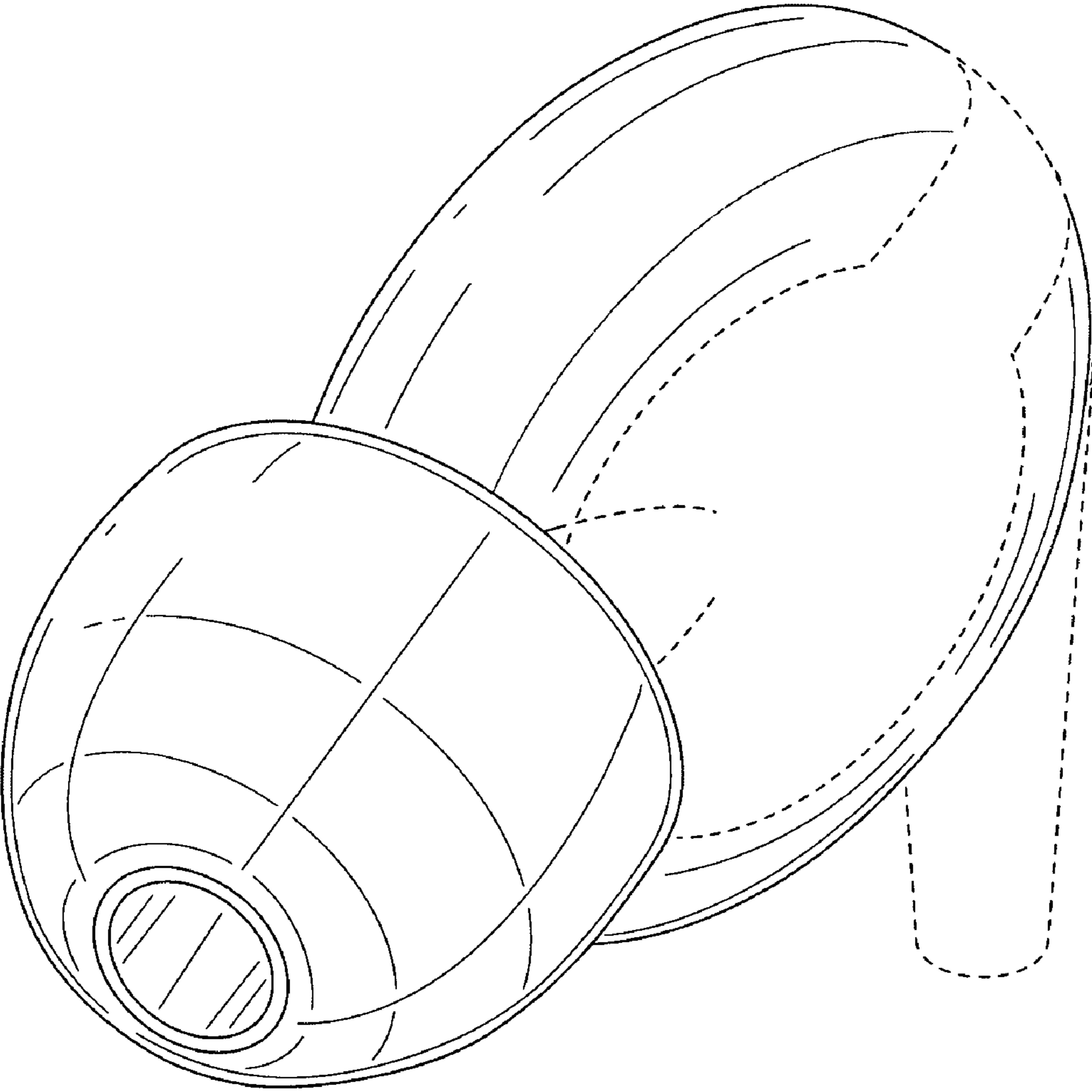


FIG.2

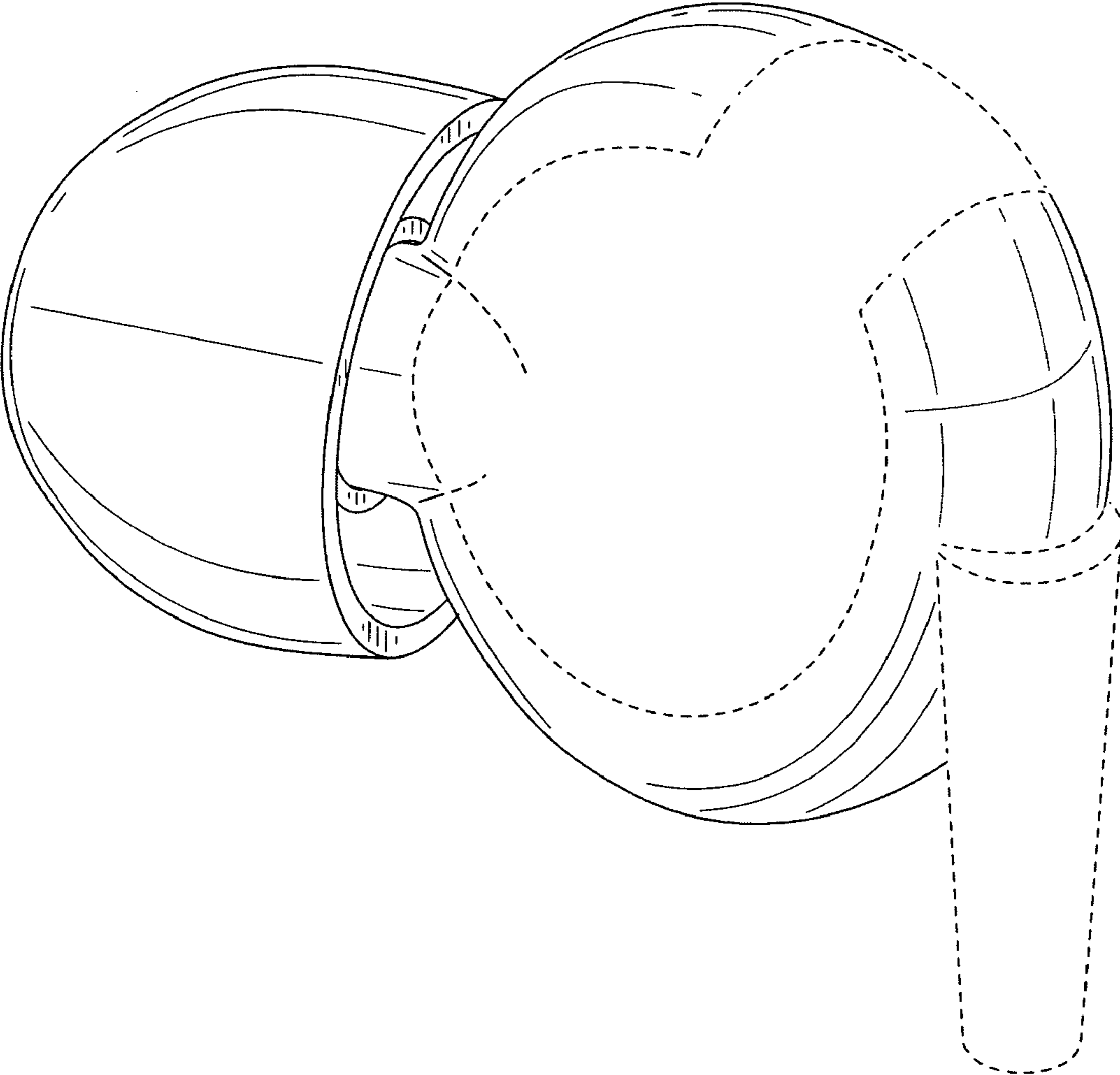


FIG.3

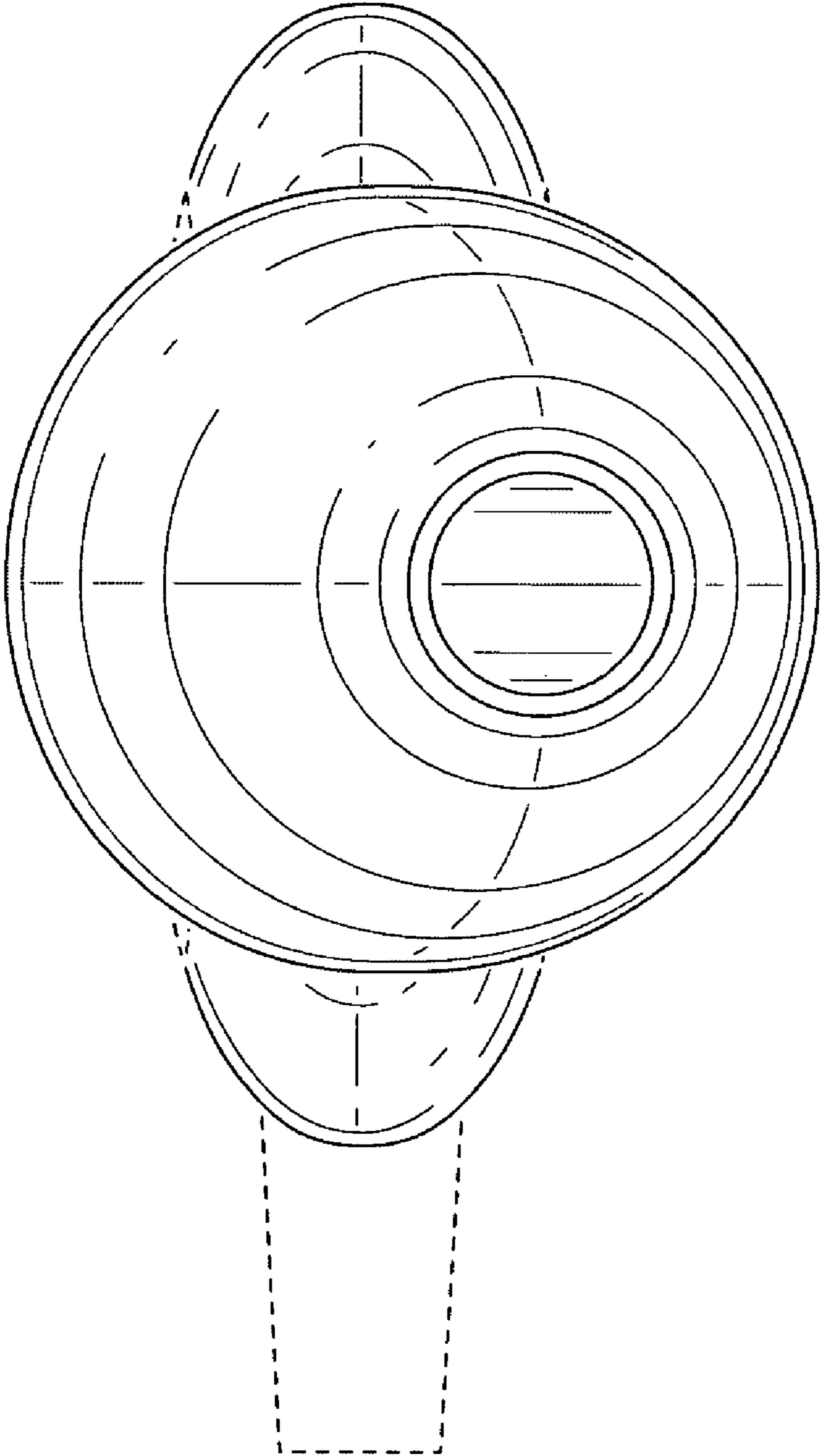


FIG.4

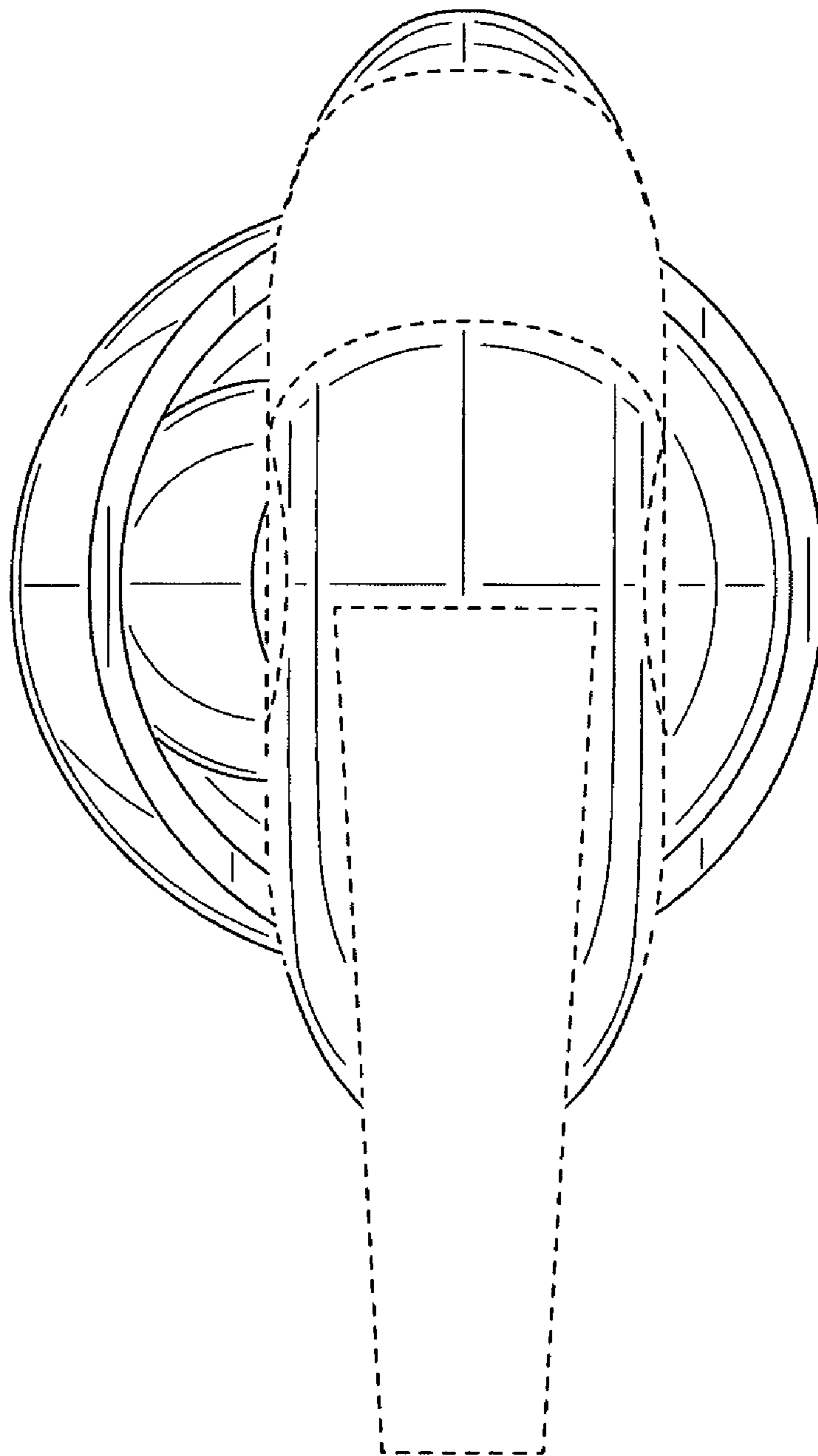


FIG.5

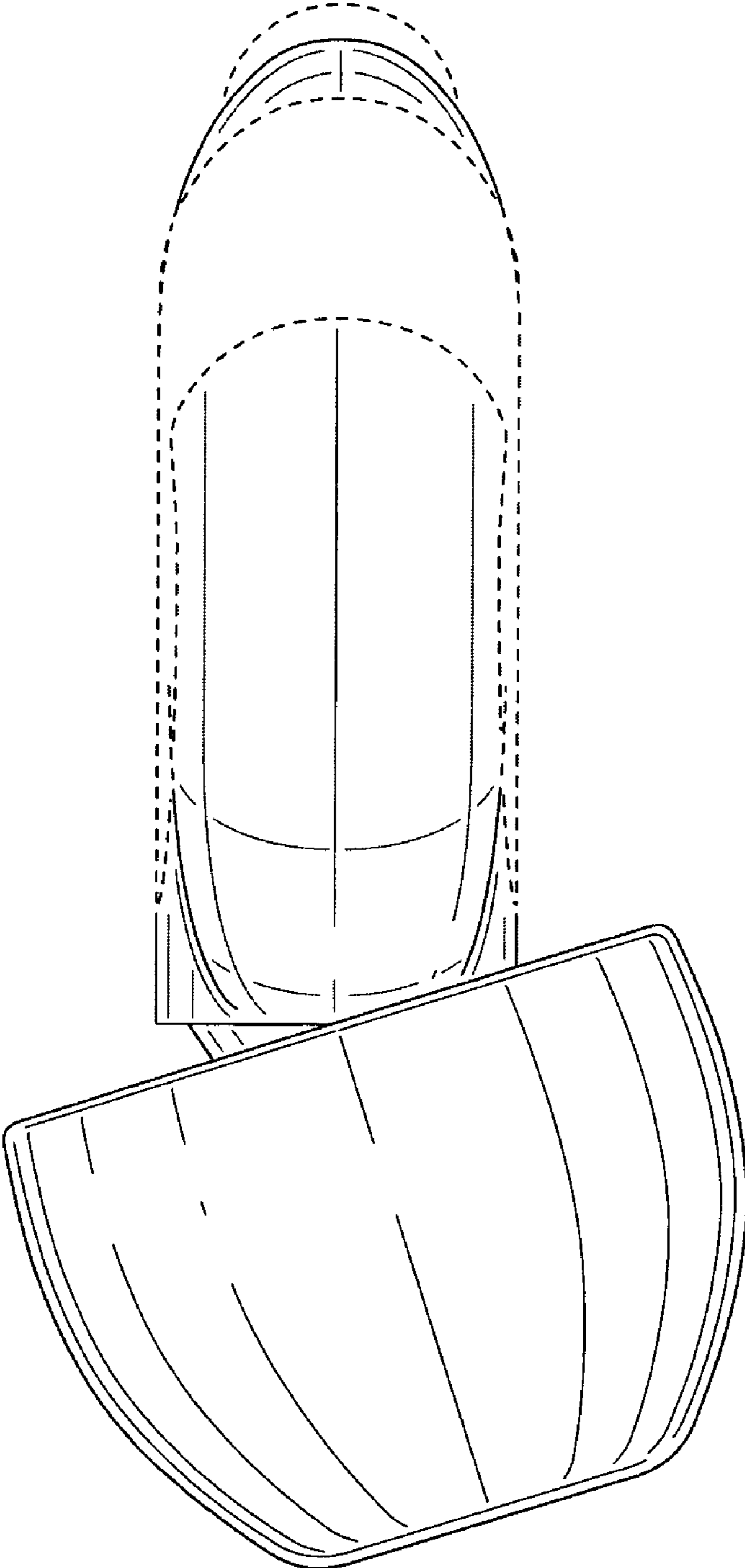


FIG.6

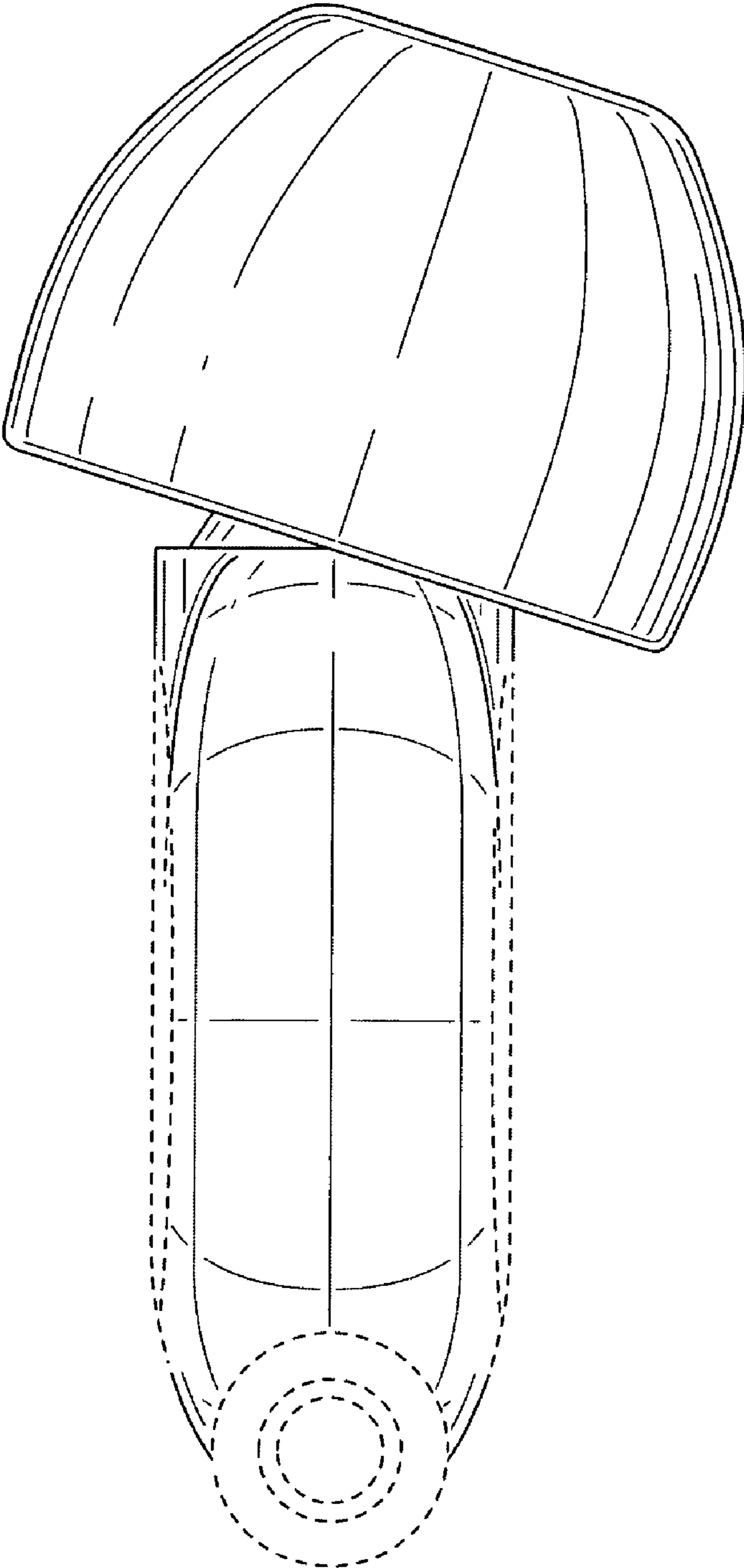


FIG.7

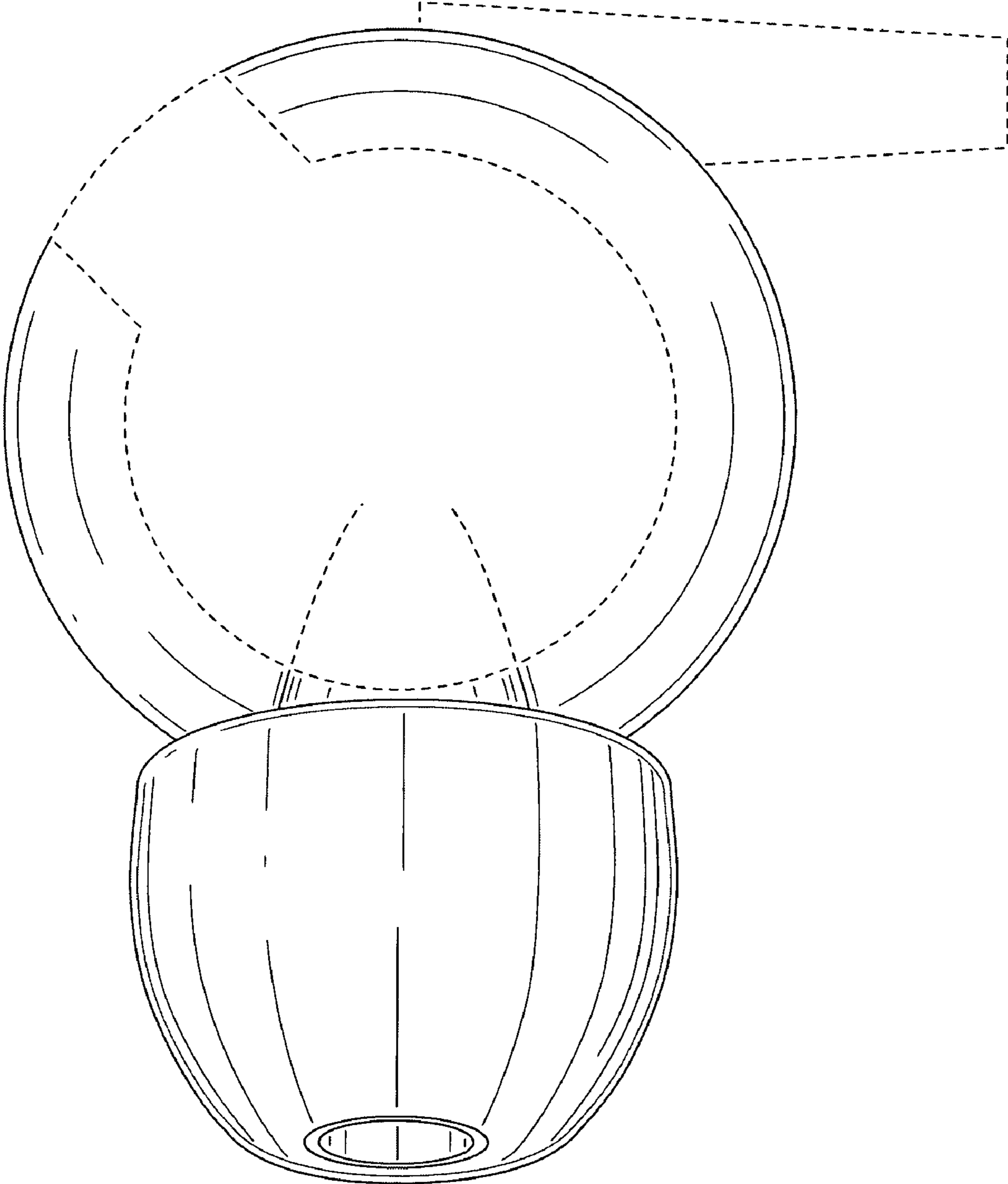




FIG.8

