



US00D587241S

(12) **United States Design Patent**
Suzuki

(10) **Patent No.:** **US D587,241 S**
(45) **Date of Patent:** **** Feb. 24, 2009**

(54) **HEADPHONE**

(75) Inventor: **Satoshi Suzuki**, Tokyo (JP)
(73) Assignee: **Sony Corporation**, Tokyo (JP)
(**) Term: **14 Years**

(21) Appl. No.: **29/300,190**
(22) Filed: **Feb. 29, 2008**

(30) **Foreign Application Priority Data**

Aug. 31, 2007 (JP) D2007-023868

(51) **LOC (9) Cl.** **14-01**
(52) **U.S. Cl.** **D14/205; D14/225**
(58) **Field of Classification Search** D14/205,
D14/206, 223, 192, 156, 168, 215, 225, 226;
181/129, 130; D29/122; 379/430, 433.01,
379/433.02; 455/344, 347, 350, 351, 575.1,
455/575.2; 381/309, 379, 384, 346, 380,
381/381, 370, 412; 128/866; D19/60

See application file for complete search history.

(56) **References Cited**

U.S. PATENT DOCUMENTS

1,570,129 A 1/1926 Clarke
2,149,341 A * 3/1939 Harrison 381/379
2,437,049 A * 3/1948 Salisbury et al. 128/866
D246,242 S * 11/1977 Bellini D14/205
D304,944 S * 12/1989 Behringer D14/188
D316,551 S * 4/1991 Ichikawa D14/205
D331,928 S * 12/1992 McDowell D14/205
D350,354 S * 9/1994 Nakamura D14/205
5,406,037 A * 4/1995 Nageno et al. 181/129
5,509,528 A 4/1996 Weisburn
D390,846 S 2/1998 Suzuki
D417,452 S * 12/1999 Wu D14/192
D417,465 S * 12/1999 Kreitz et al. D19/60
6,072,887 A * 6/2000 Wei 381/412
D429,717 S 8/2000 Kizawa
D467,574 S 12/2002 Suzuki et al.
D502,938 S * 3/2005 Tokioka et al. D14/205
D504,414 S * 4/2005 Yoshida D14/192
D504,883 S * 5/2005 Jacobson et al. D14/192
D512,983 S * 12/2005 Tachikawa D14/205

D517,045 S * 3/2006 Komiyama D14/205
D517,527 S 3/2006 Suzuki
D518,474 S 4/2006 Suzuki
D525,235 S 7/2006 Koizumi
D536,693 S 2/2007 Komiyama
D538,269 S * 3/2007 Tragatschnig D14/223
D539,267 S * 3/2007 Komiyama D14/205
D540,302 S * 4/2007 Hagiwara et al. D14/205
D540,303 S * 4/2007 Rausch et al. D14/205
D544,464 S * 6/2007 Lee D14/205
D567,799 S * 4/2008 Viduya et al. D14/205
D577,356 S * 9/2008 Moon et al. D14/215

FOREIGN PATENT DOCUMENTS

JP D1134988 S 1/2002
JP D1135159 S 1/2002
JP D1143139 S 4/2002
JP D1144325 S 4/2002
JP D1190583 S 10/2003
JP D1191026 S 10/2003
JP D1293099 S 1/2007

* cited by examiner

Primary Examiner—Paula Greene

(74) *Attorney, Agent, or Firm*—Rader, Fishman & Grauer, PLLC

(57) **CLAIM**

The ornamental design for a headphone, as shown and described.

DESCRIPTION

FIG. 1 is a front perspective view of a headphone showing my new design;

FIG. 2 is a rear perspective view thereof;

FIG. 3 is a front elevational view thereof;

FIG. 4 is a rear elevational view thereof;

FIG. 5 is a left side elevational view thereof;

FIG. 6 is a right side elevational view thereof;

FIG. 7 is a top plan view thereof; and,

FIG. 8 is a bottom plan view thereof.

The portions indicated in broken lines are for illustrative purposes only and form no part of the claimed design.

1 Claim, 8 Drawing Sheets



FIG. 1

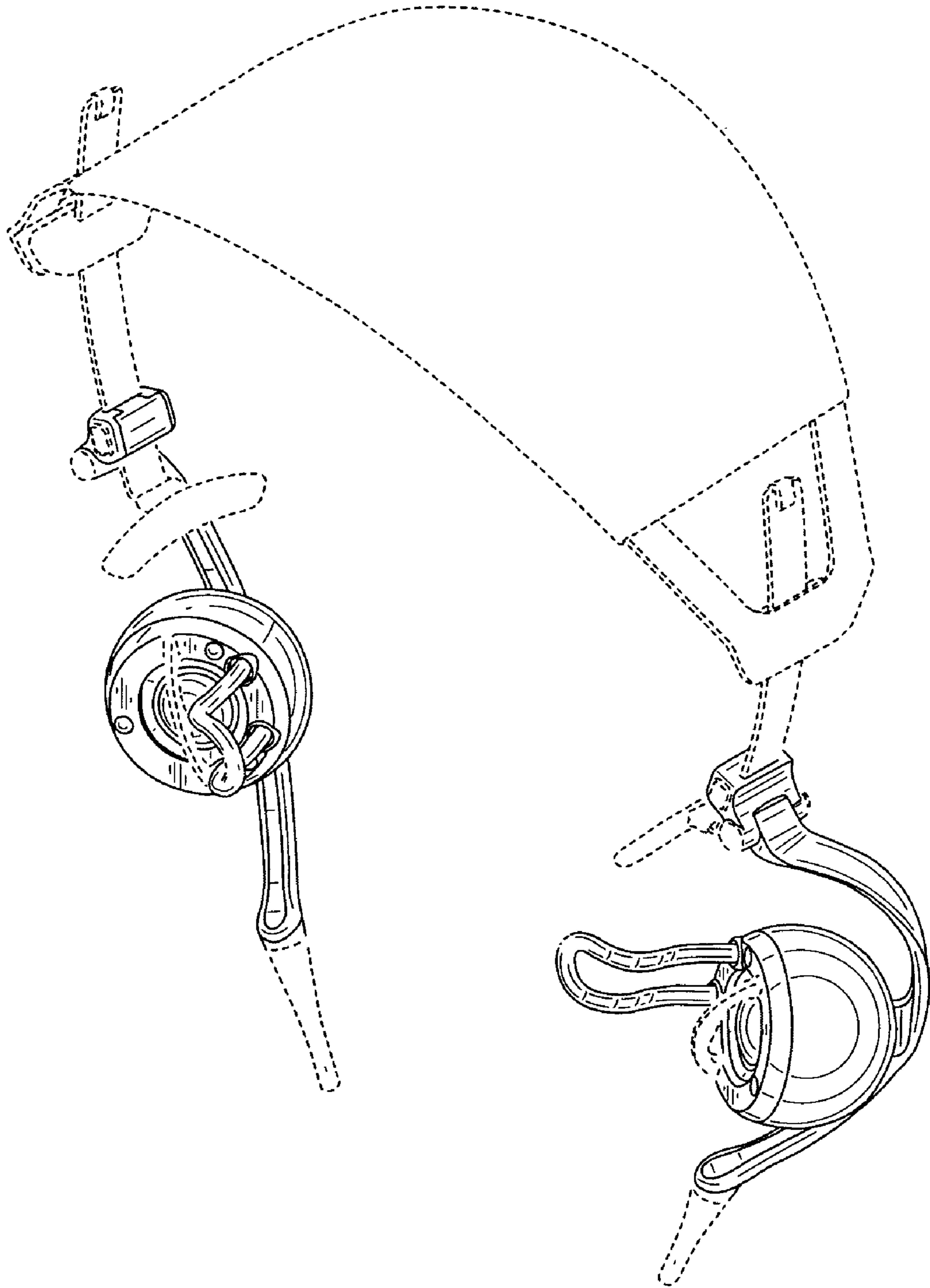


FIG.2

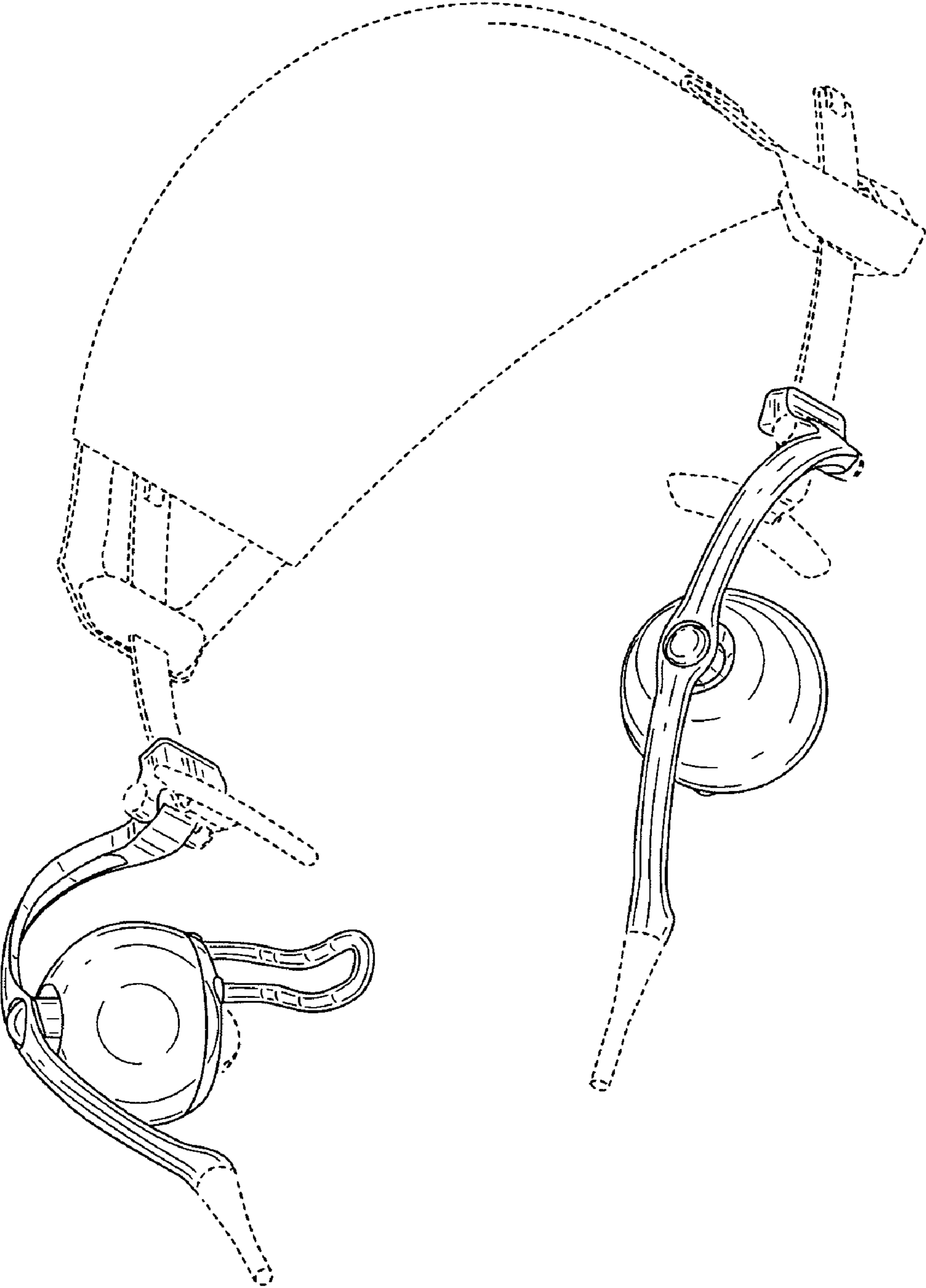


FIG.3

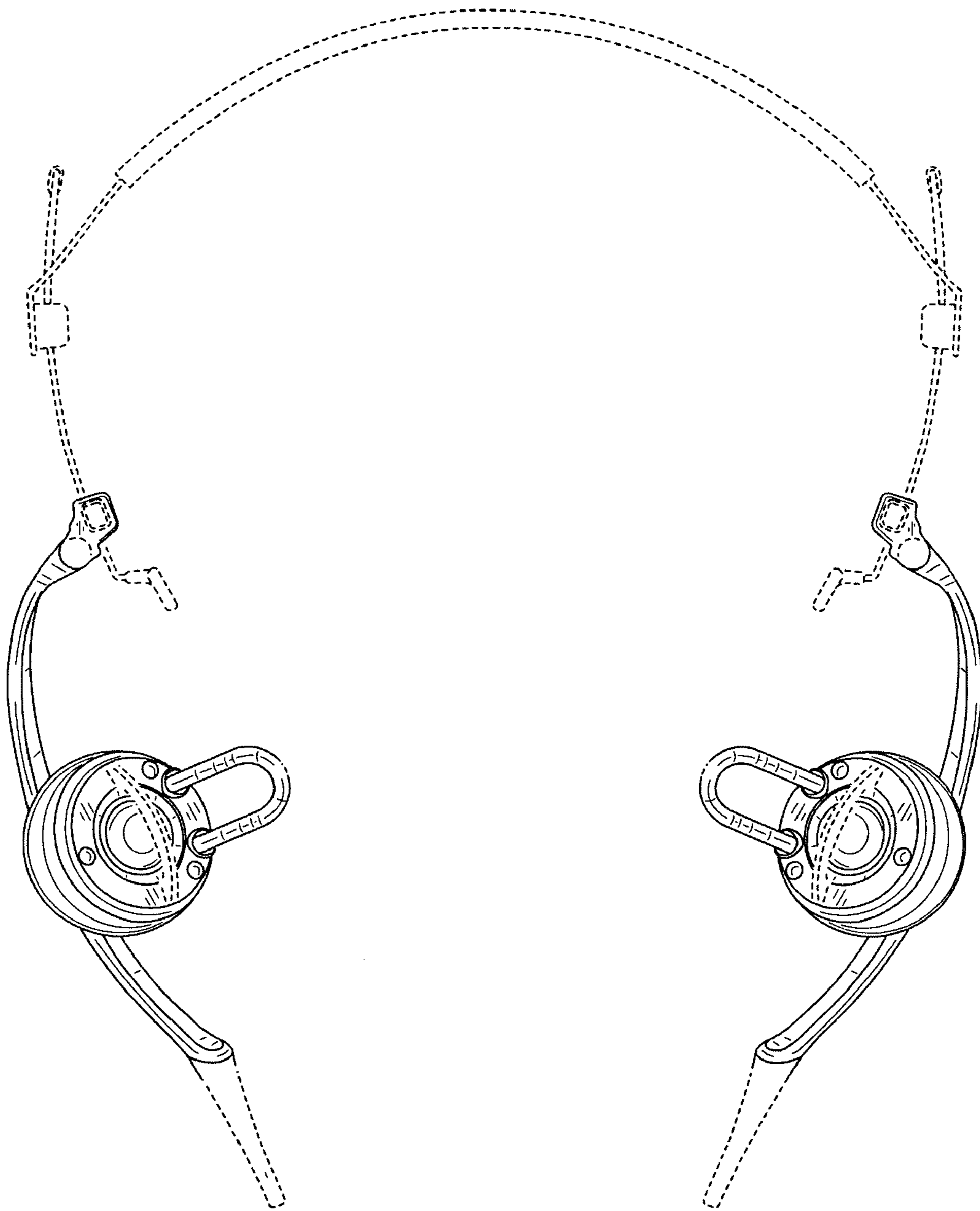


FIG.4

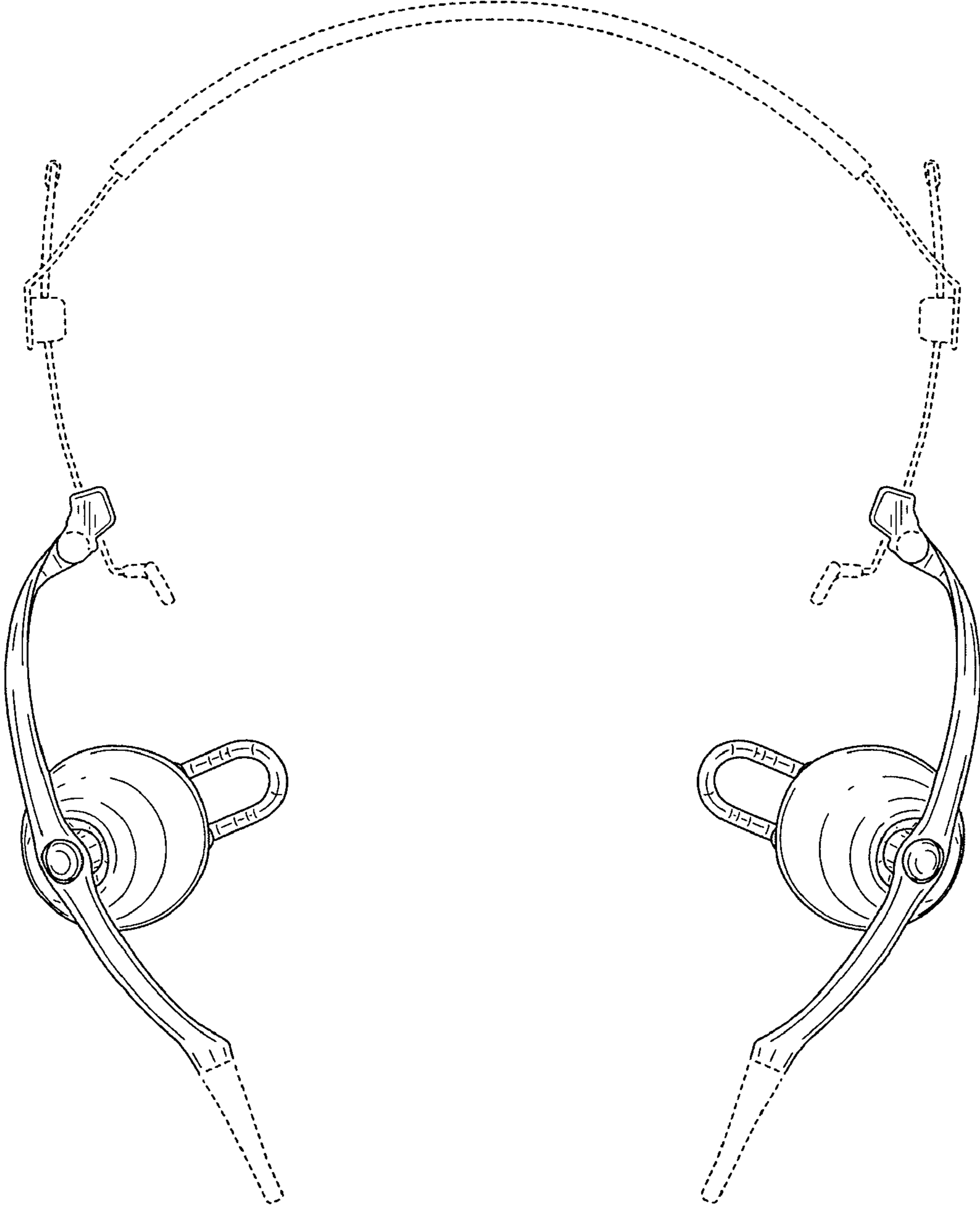


FIG.5

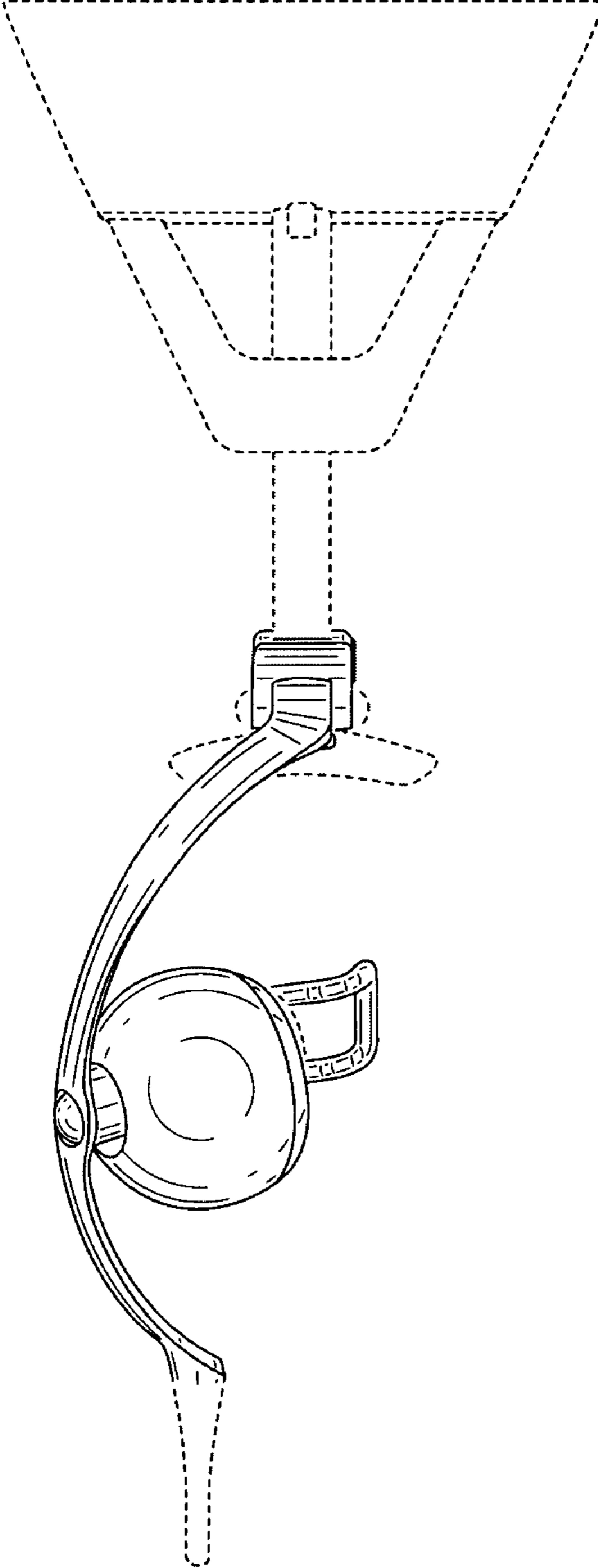


FIG.6

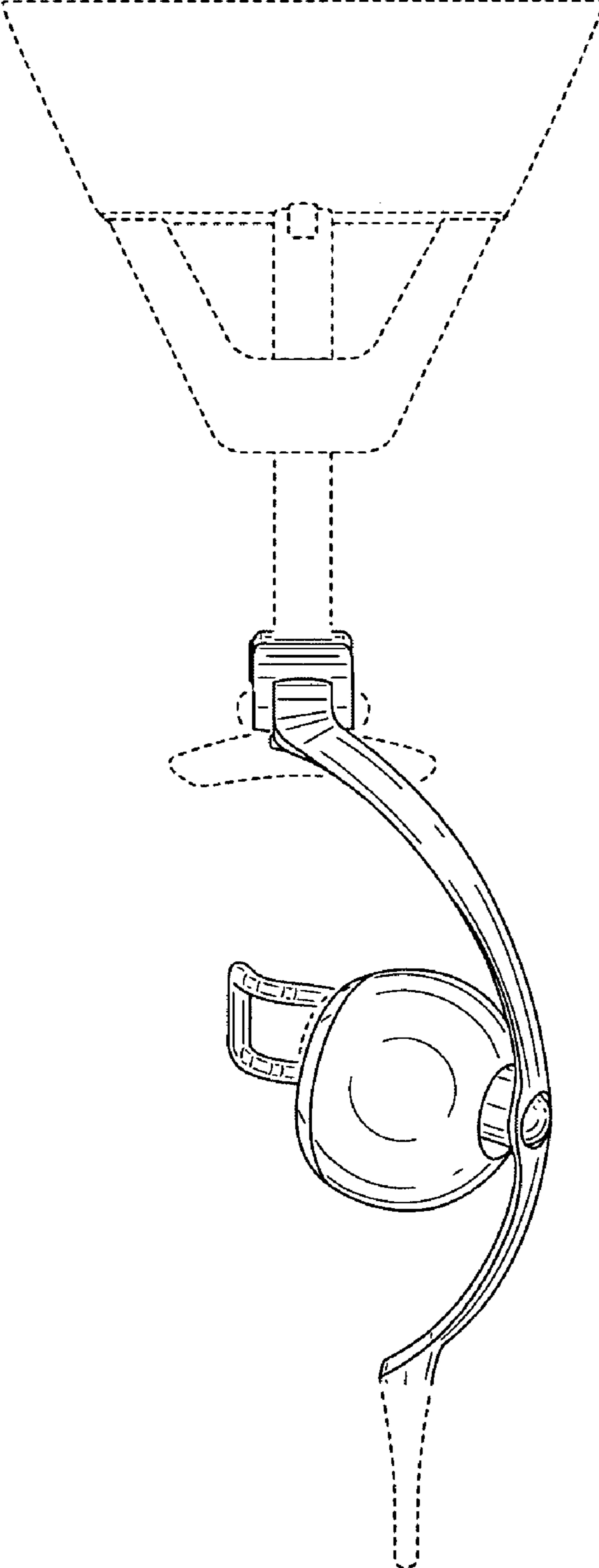


FIG. 7

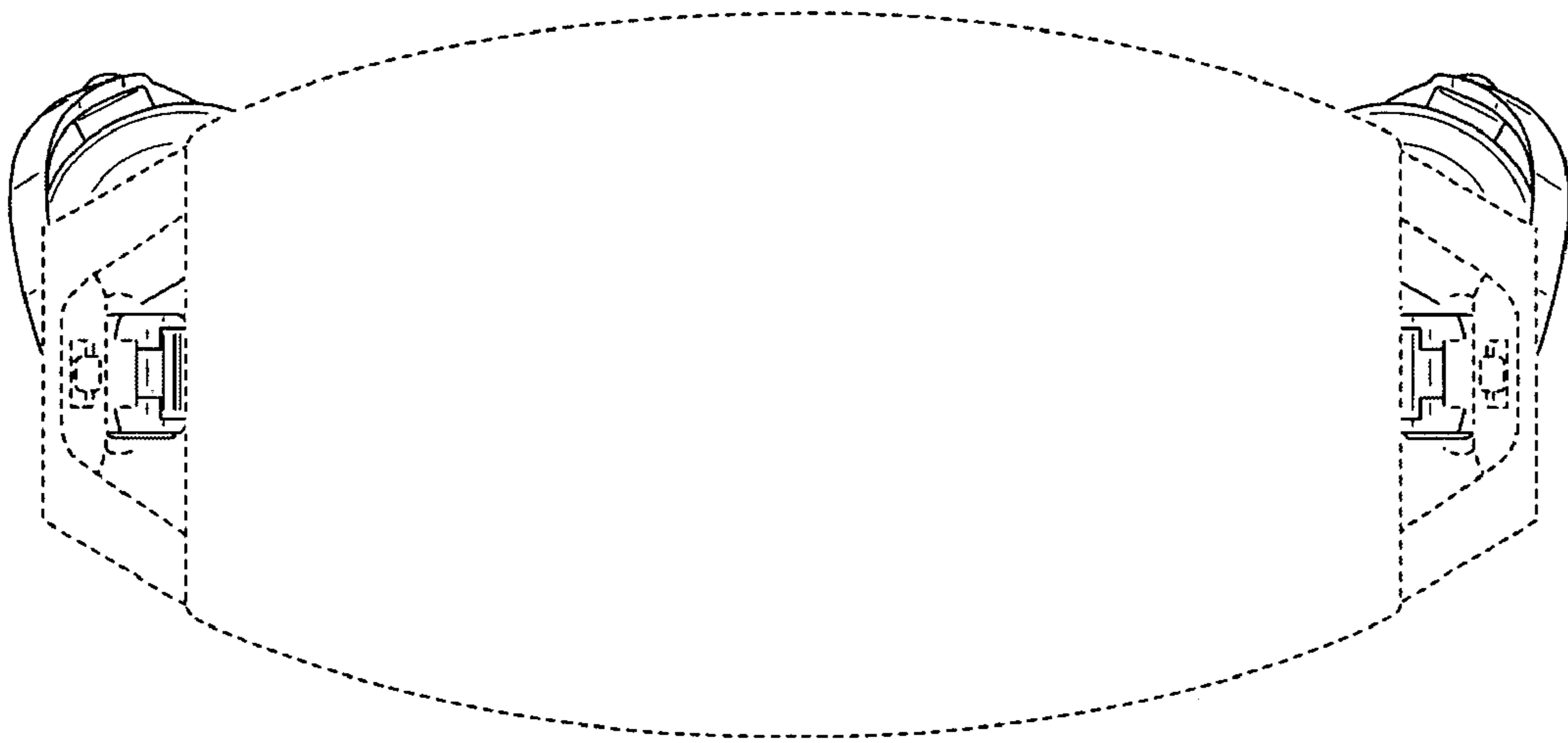


FIG.8

