



US00D587240S

(12) **United States Design Patent**  
**Zadro**

(10) **Patent No.:** **US D587,240 S**  
(45) **Date of Patent:** **\*\* Feb. 24, 2009**

(54) **SHOWER RADIO**

(76) Inventor: **Zlatko Zadro**, 5422 Argosy Dr.,  
Huntington Beach, CA (US) 92649

(\*\*) Term: **14 Years**

(21) Appl. No.: **29/308,021**

(22) Filed: **May 23, 2008**

(51) **LOC (9) Cl.** ..... **14-03**

(52) **U.S. Cl.** ..... **D14/189**; D14/197

(58) **Field of Classification Search** ..... D14/137,  
D14/155, 156, 168, 170, 171, 188, 189, 193-198,  
D14/210, 212, 214, 217, 496; D10/2; 312/7.1;  
369/6-12; 370/342-344; 455/90.1-90.3,  
455/344-355

See application file for complete search history.

(56) **References Cited**

**U.S. PATENT DOCUMENTS**

5,940,350	A	*	8/1999	Booty, Jr.	.....	368/276
D432,516	S	*	10/2000	Chen	.....	D14/170
D437,842	S	*	2/2001	Chen	.....	D14/194
D452,828	S	*	1/2002	Wah	.....	D10/22
D480,381	S	*	10/2003	Harris et al.	.....	D14/188

D495,679	S	*	9/2004	Chen	.....	D14/171
D503,166	S	*	3/2005	Tse	.....	D14/171
D562,799	S	*	2/2008	Harris et al.	.....	D14/194

\* cited by examiner

*Primary Examiner*—Stella M Reid

*Assistant Examiner*—Keli L Hill

(74) *Attorney, Agent, or Firm*—William L. Chapin

(57) **CLAIM**

The ornamental design for a shower radio, as shown and described.

**DESCRIPTION**

FIG. 1 is a front perspective view of a shower radio according to the present invention.

FIG. 2 is a front elevation view thereof.

FIG. 3 is a rear elevation view thereof.

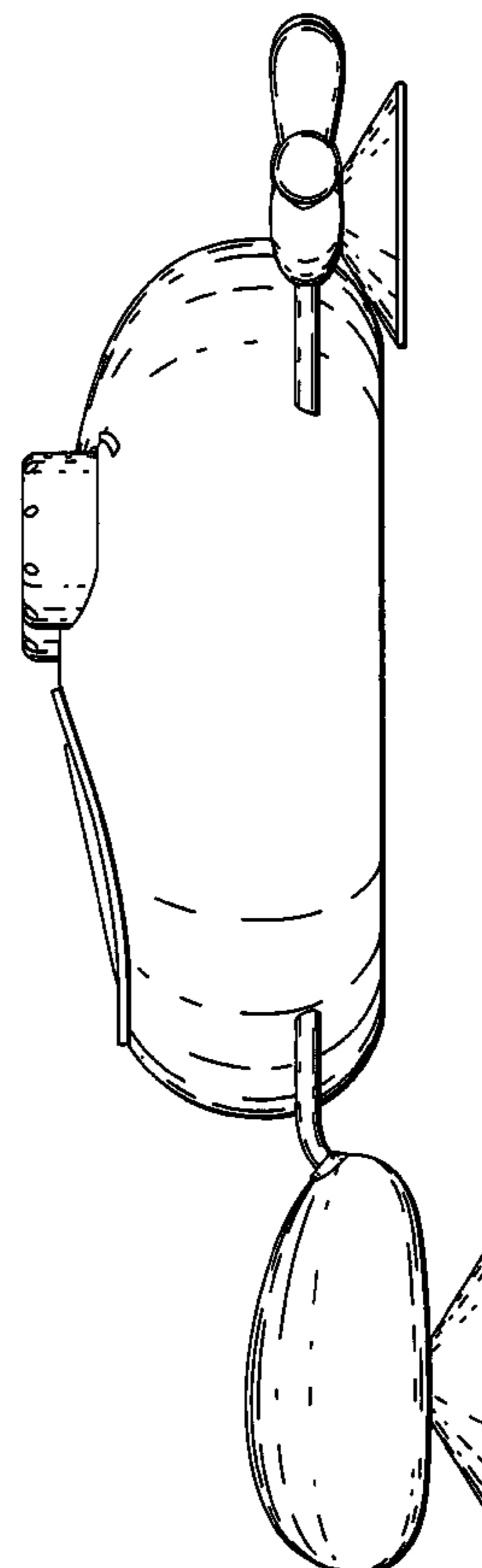
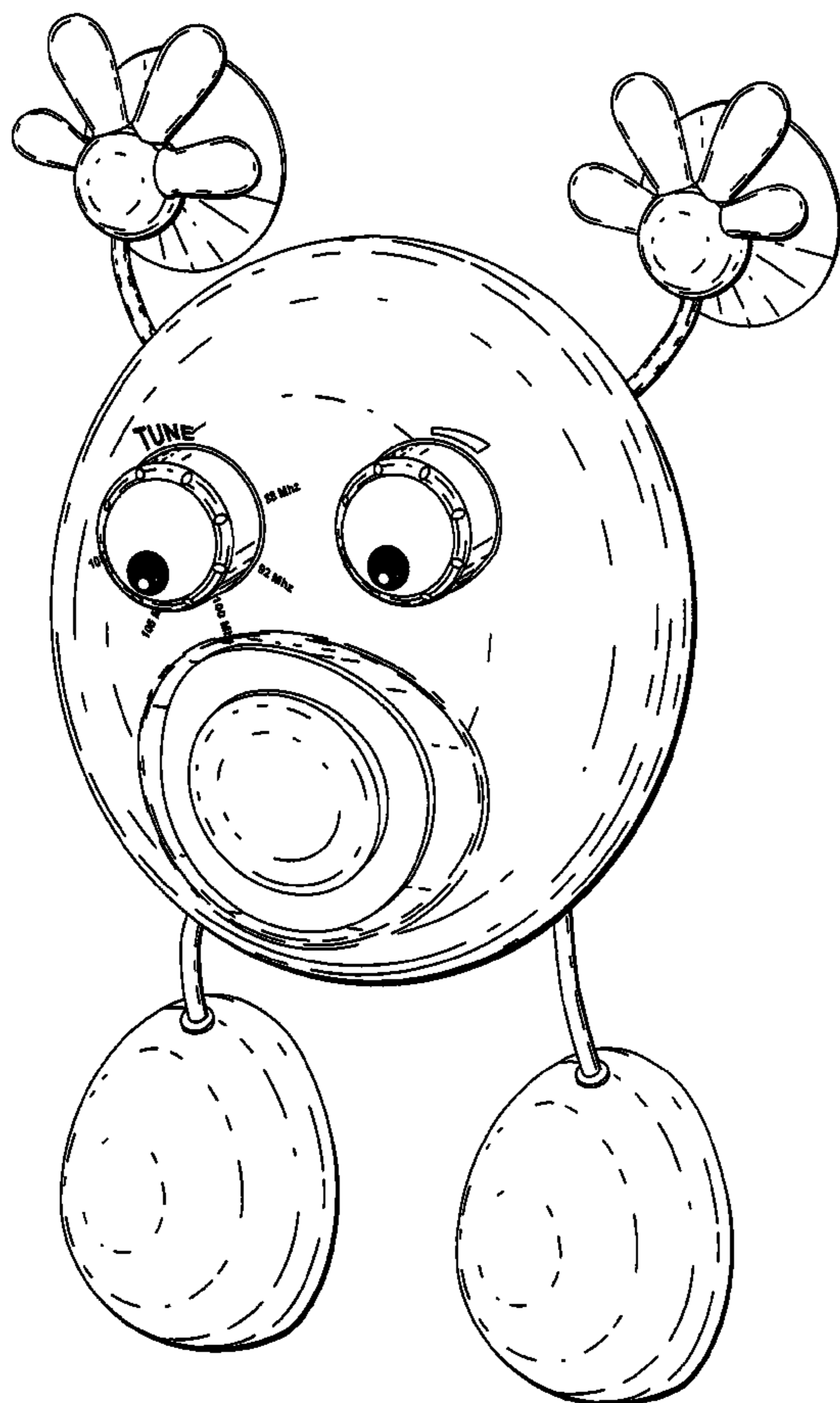
FIG. 4 is a right side elevation view thereof

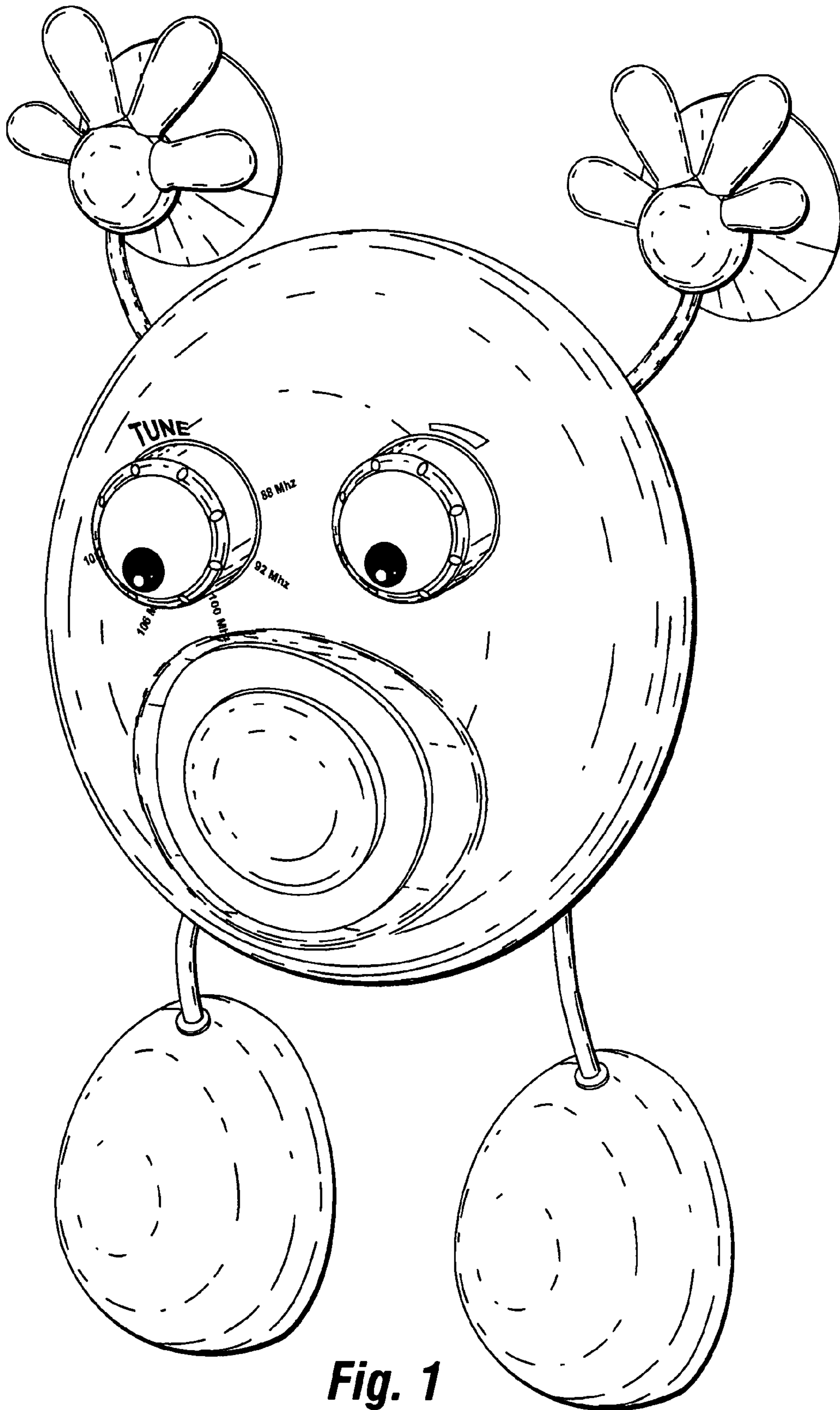
FIG. 5 is a left side elevation view thereof

FIG. 6 is a top plan view thereof; and,

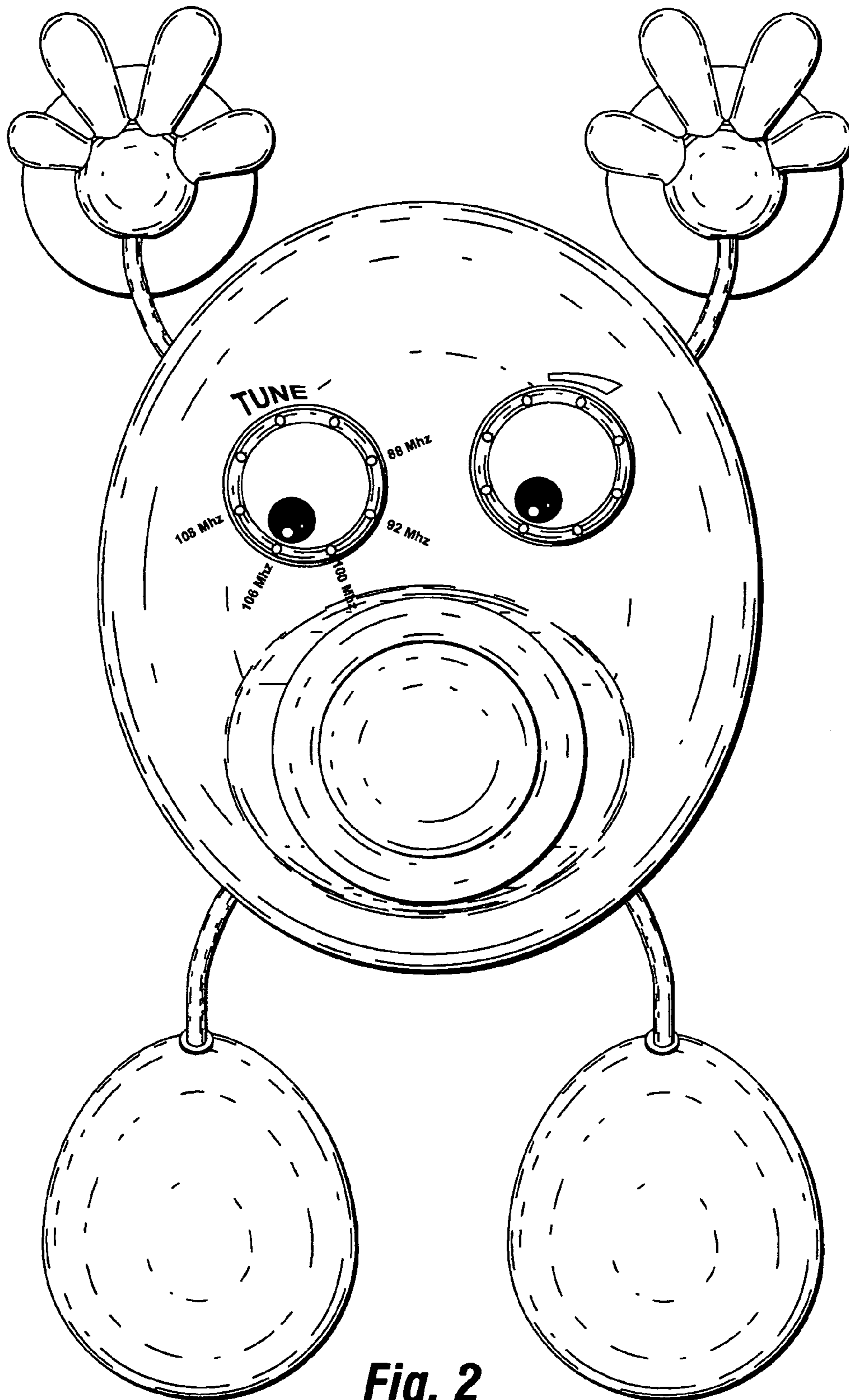
FIG. 7 is a bottom plan view thereof.

**1 Claim, 5 Drawing Sheets**



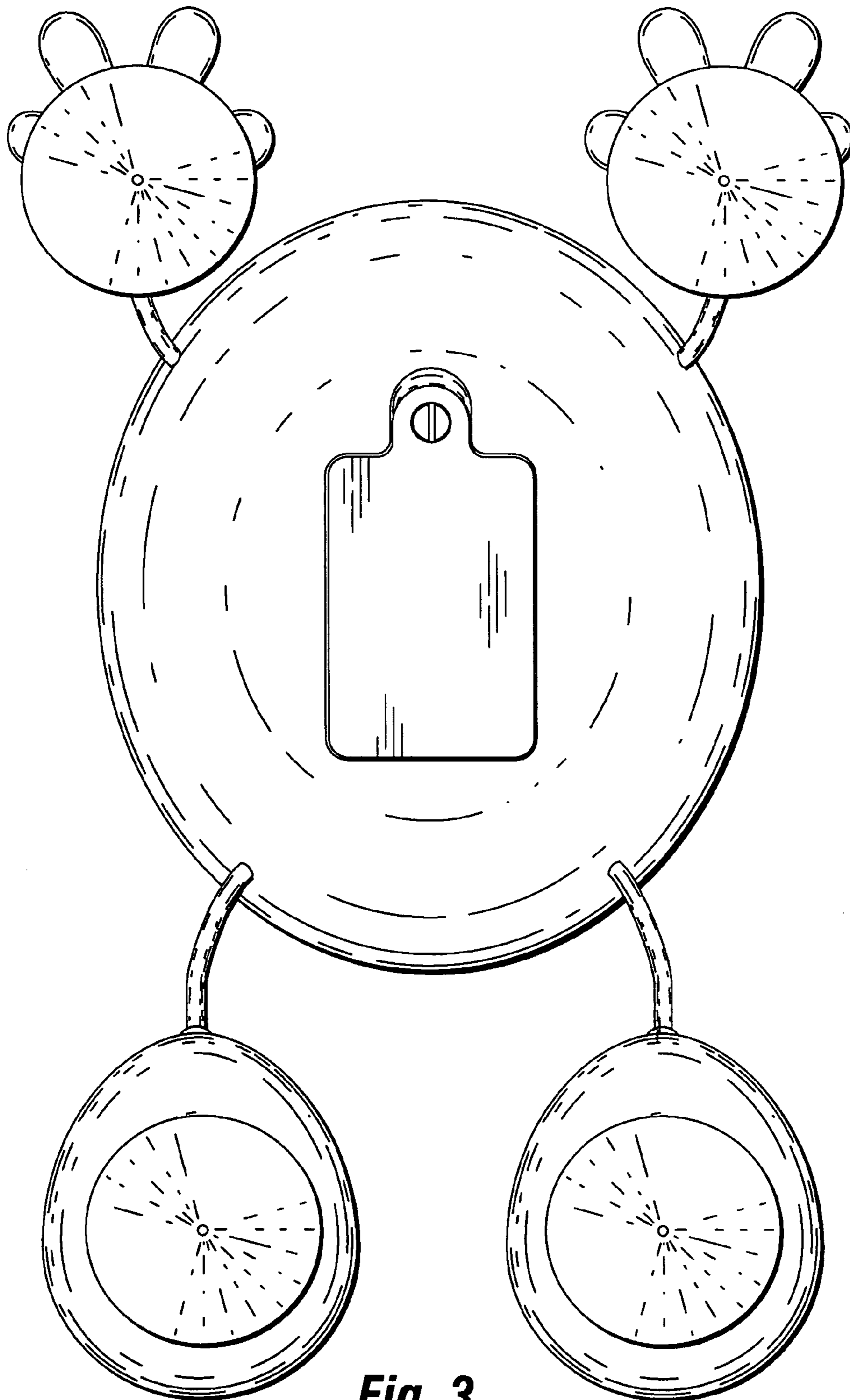


**Fig. 1**

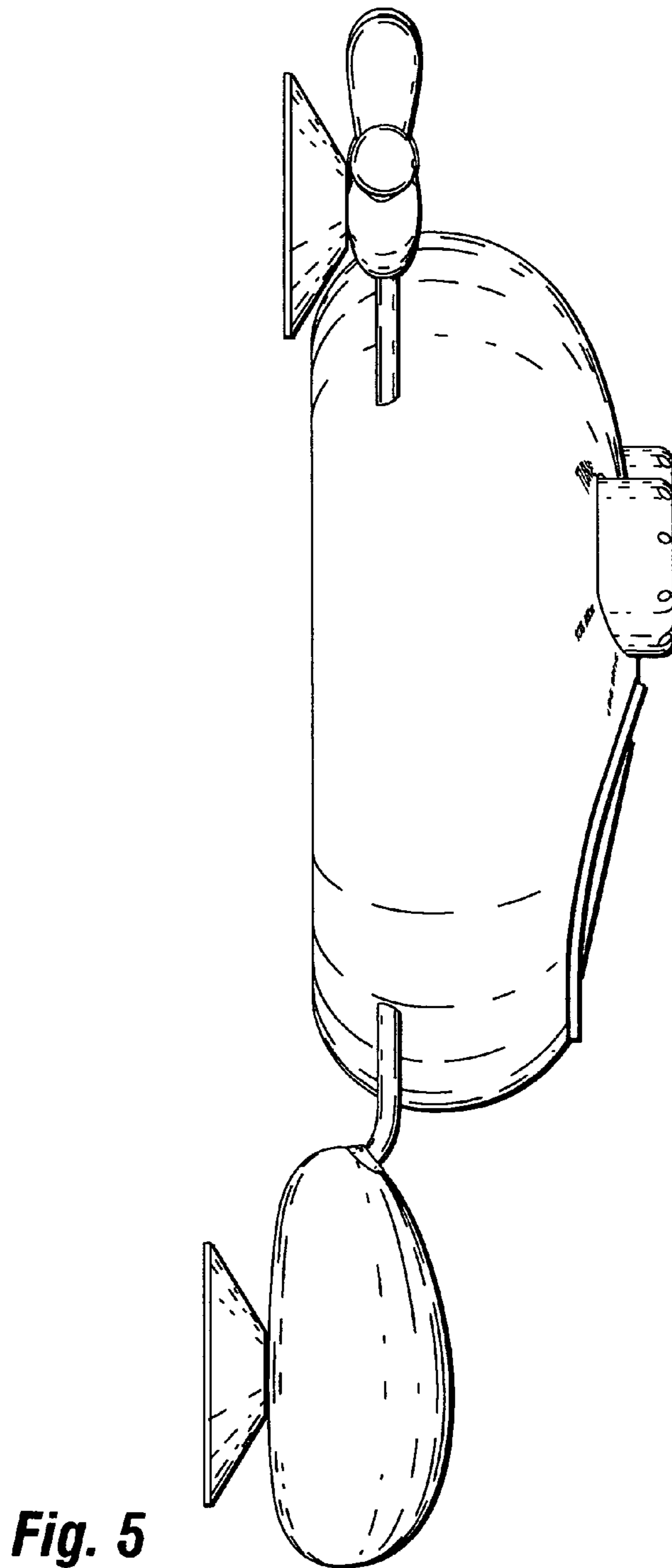
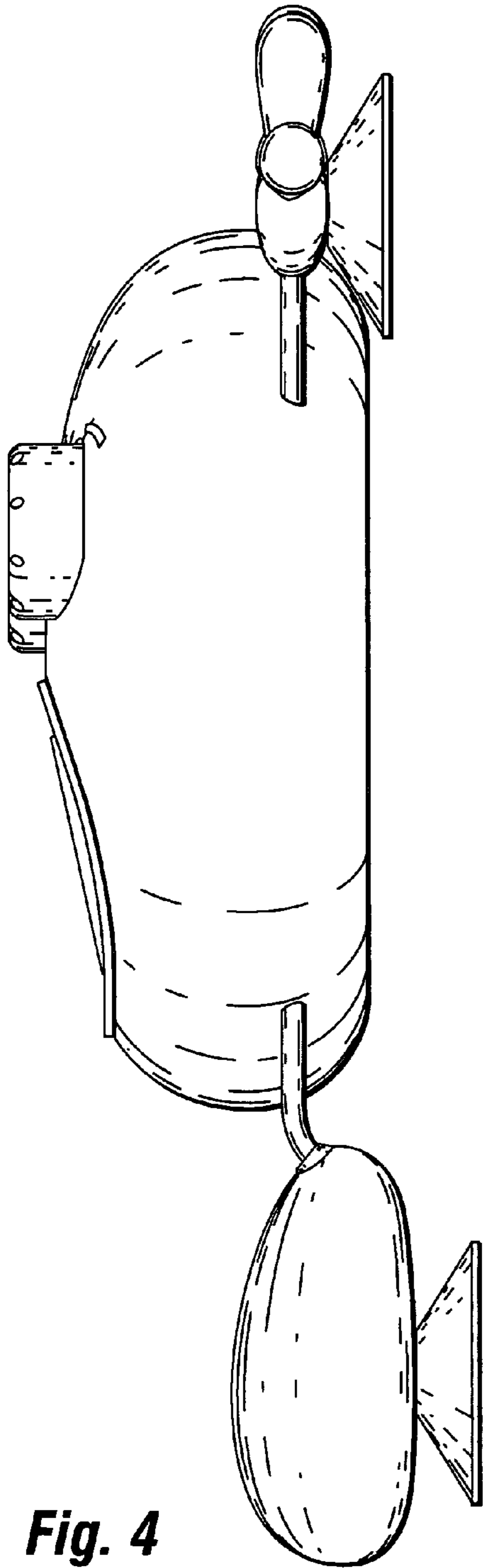


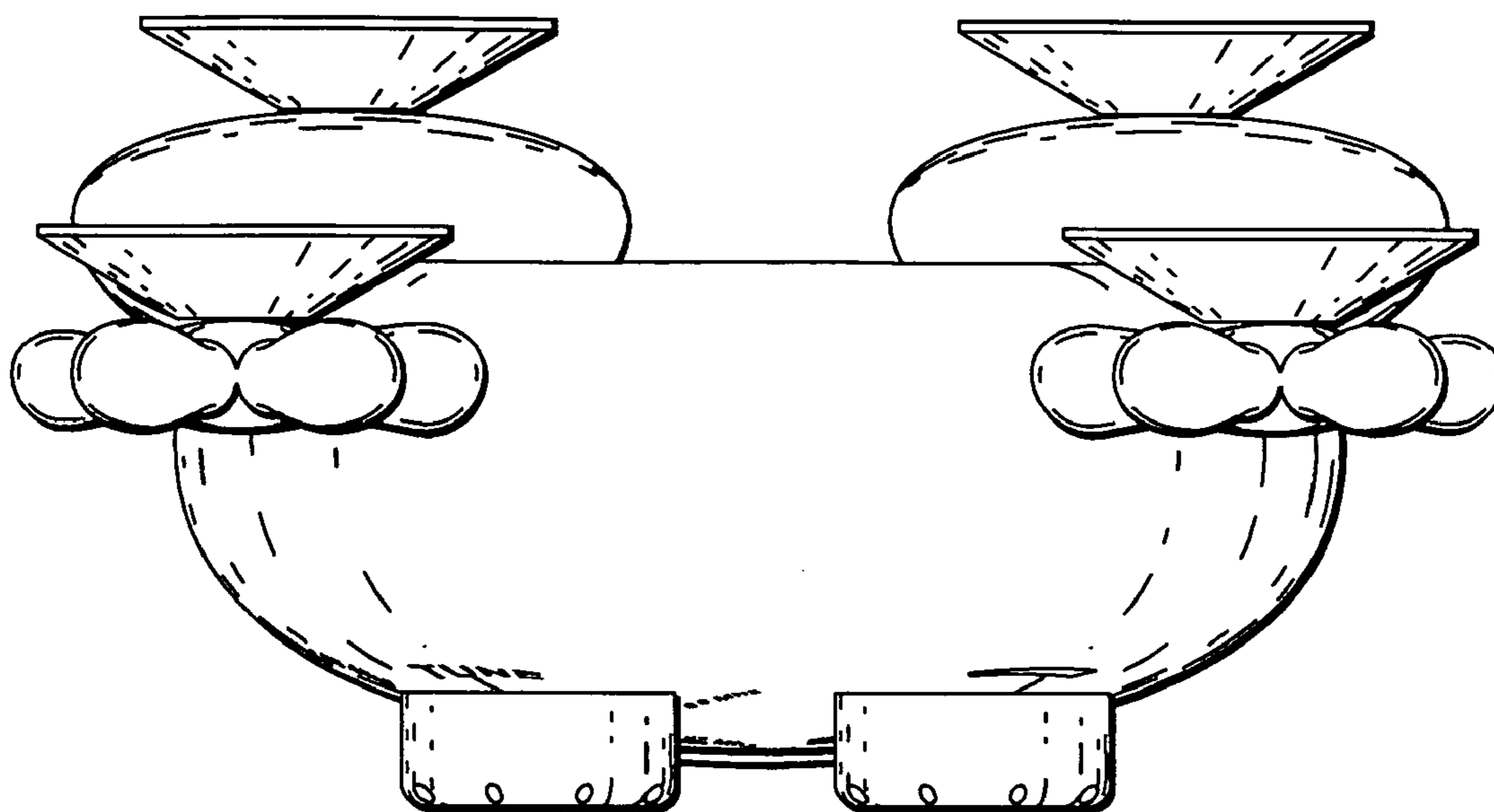
**Fig. 2**



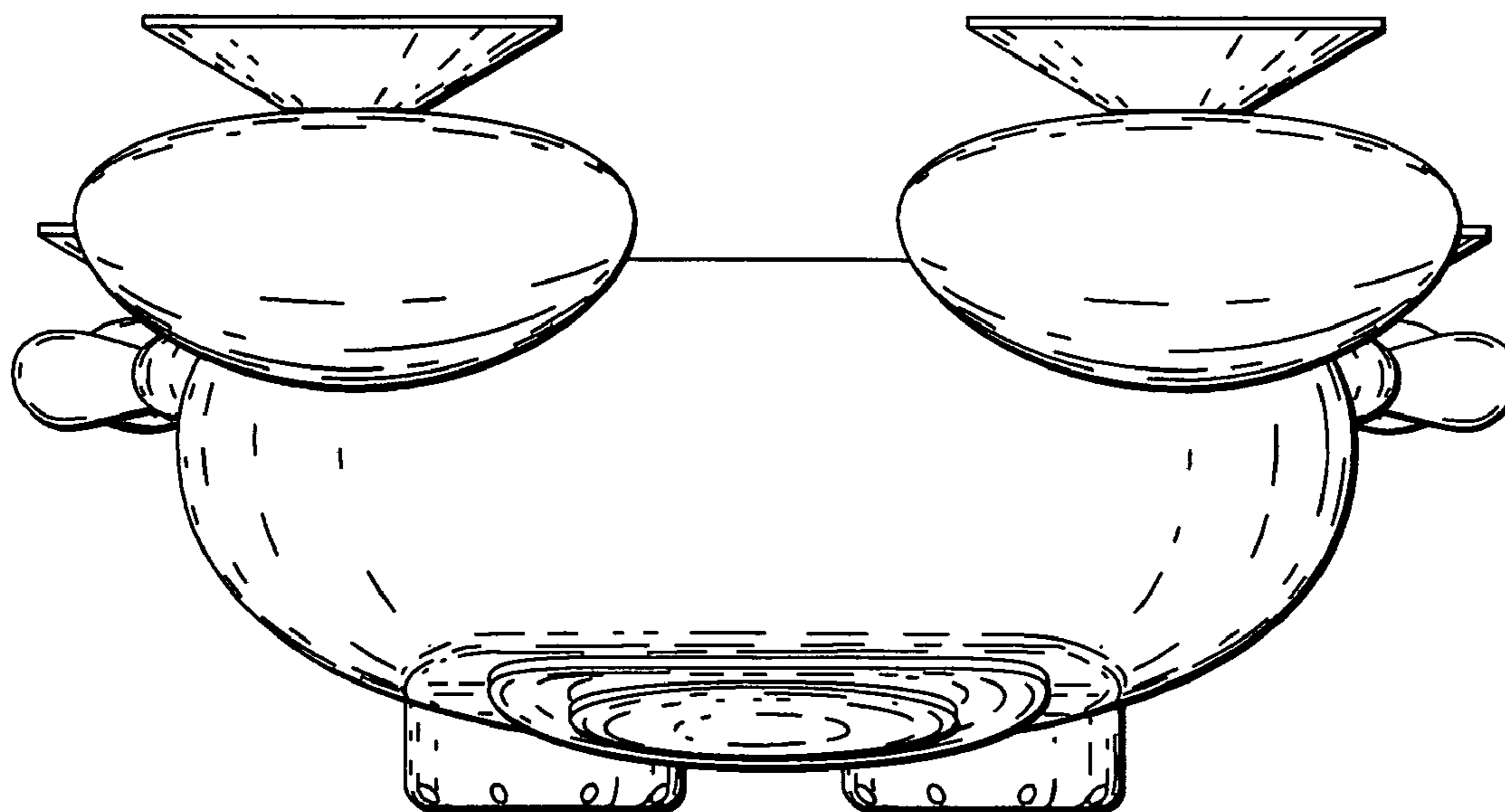


**Fig. 3**





**Fig. 6**



**Fig. 7**