



US00D587239S

(12) **United States Design Patent**
Raisanen et al.

(10) **Patent No.:** **US D587,239 S**

(45) **Date of Patent:** **** Feb. 24, 2009**

(54) **AMPLIFIER**

(75) Inventors: **Heikki Raisanen**, Muurame (FI); **Matti Kokkonen**, Jyvaskyla (FI); **Mikko Ryytty**, Jyvaskyla (FI)

(73) Assignee: **B-Band Oy**, Vaajakoski (FI)

(**) Term: **14 Years**

(21) Appl. No.: **29/286,357**

(22) Filed: **May 2, 2007**

(30) **Foreign Application Priority Data**

Nov. 2, 2006 (EM) 000614367-001

(51) **LOC (9) Cl.** **14-03**

(52) **U.S. Cl.** **D14/188; D14/214**

(58) **Field of Classification Search** D14/168, D14/169, 179, 188, 194-198, 204, 210, 212, D14/214, 257, 265, 299; 330/1 R, 3, 4, 250; 381/86, 120; 455/344-351

See application file for complete search history.

(56) **References Cited**

U.S. PATENT DOCUMENTS

D182,794 S * 5/1958 Eames D14/214
D258,208 S * 2/1981 Kawachi D14/214
D268,673 S * 4/1983 Iijima D14/214
D317,007 S * 5/1991 Shintani D14/214

D409,194 S * 5/1999 Ridinger D14/188
D420,001 S * 2/2000 Ridinger D14/188
D478,065 S * 8/2003 Bolton et al. D14/214
D478,564 S * 8/2003 Rizzi D14/188
D529,018 S * 9/2006 Rozier D14/168
D579,003 S * 10/2008 Kim et al. D14/214

* cited by examiner

Primary Examiner—Stella M Reid

Assistant Examiner—Keli L Hill

(74) *Attorney, Agent, or Firm*—Katten Muchin Rosenman LLP

(57) **CLAIM**

The ornamental design for an amplifier, as shown and described.

DESCRIPTION

FIG. 1 is a front elevation view of an amplifier, embodying our new design;

FIG. 2 is a front perspective view thereof;

FIG. 3 is a rear perspective view thereof;

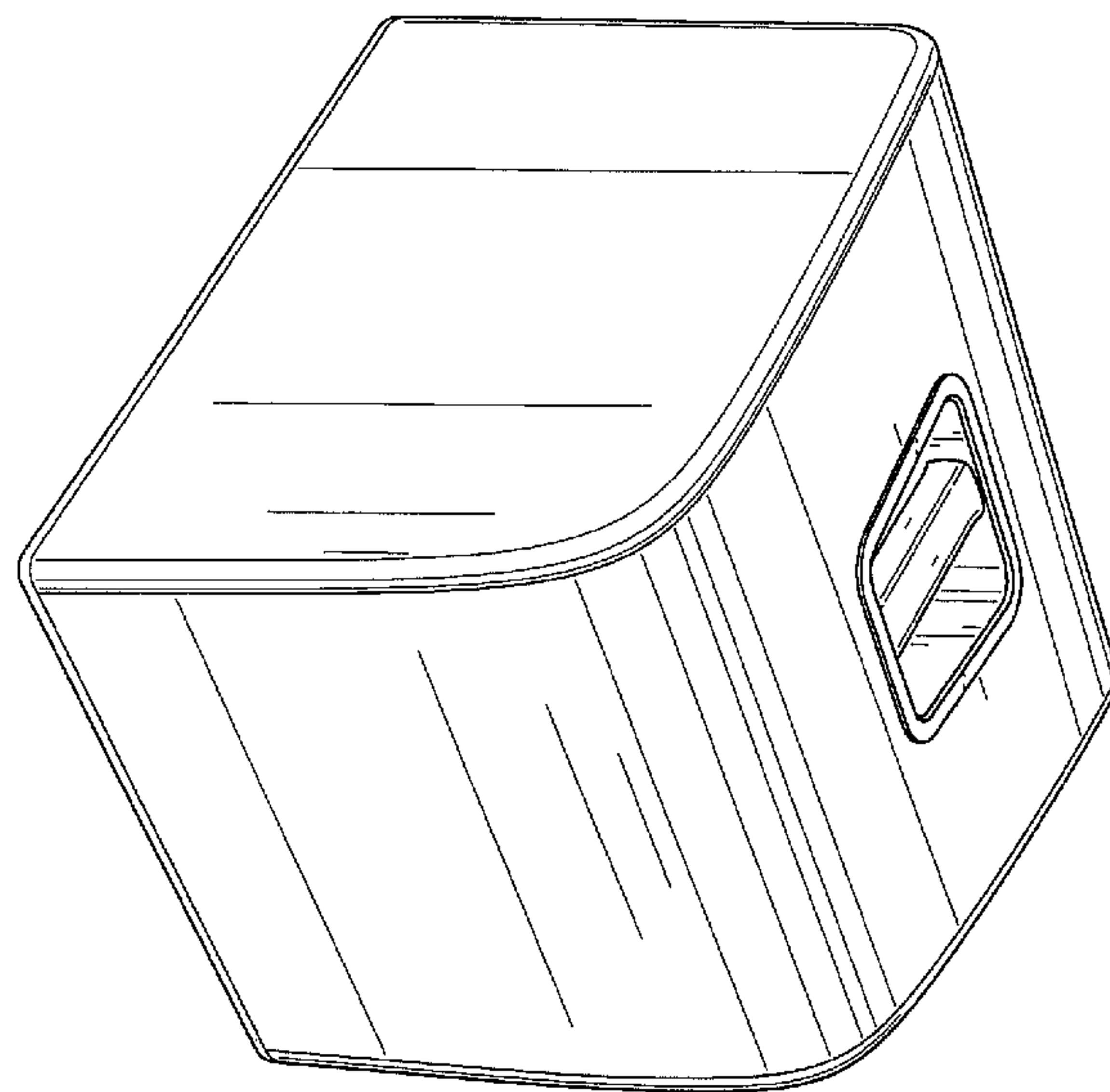
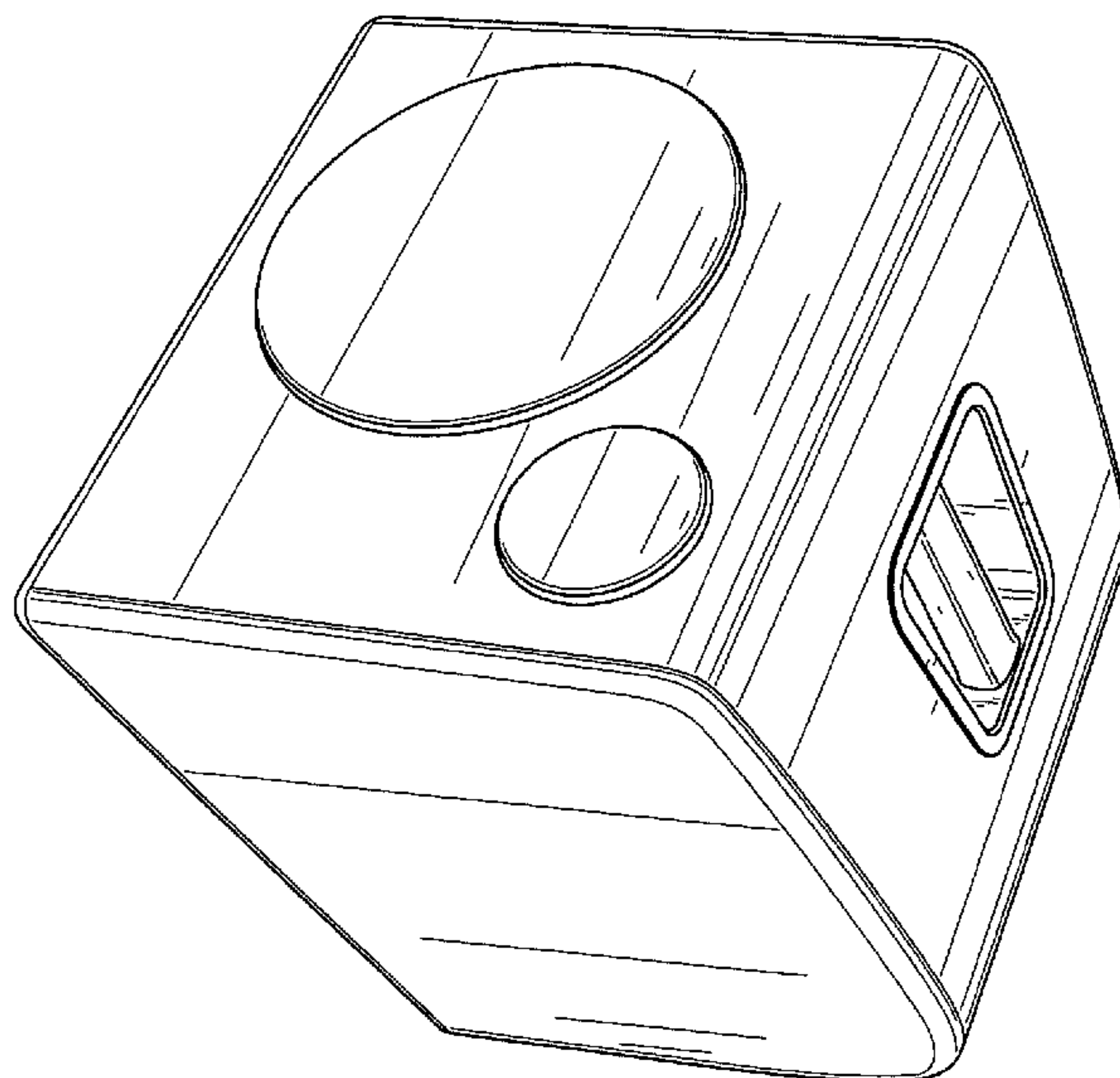
FIG. 4 is a right side elevation view thereof, the left side elevation view being a mirror image thereto;

FIG. 5 is a rear elevation view thereof;

FIG. 6 is a top plan view thereof; and,

FIG. 7 is a bottom plan view thereof.

1 Claim, 7 Drawing Sheets



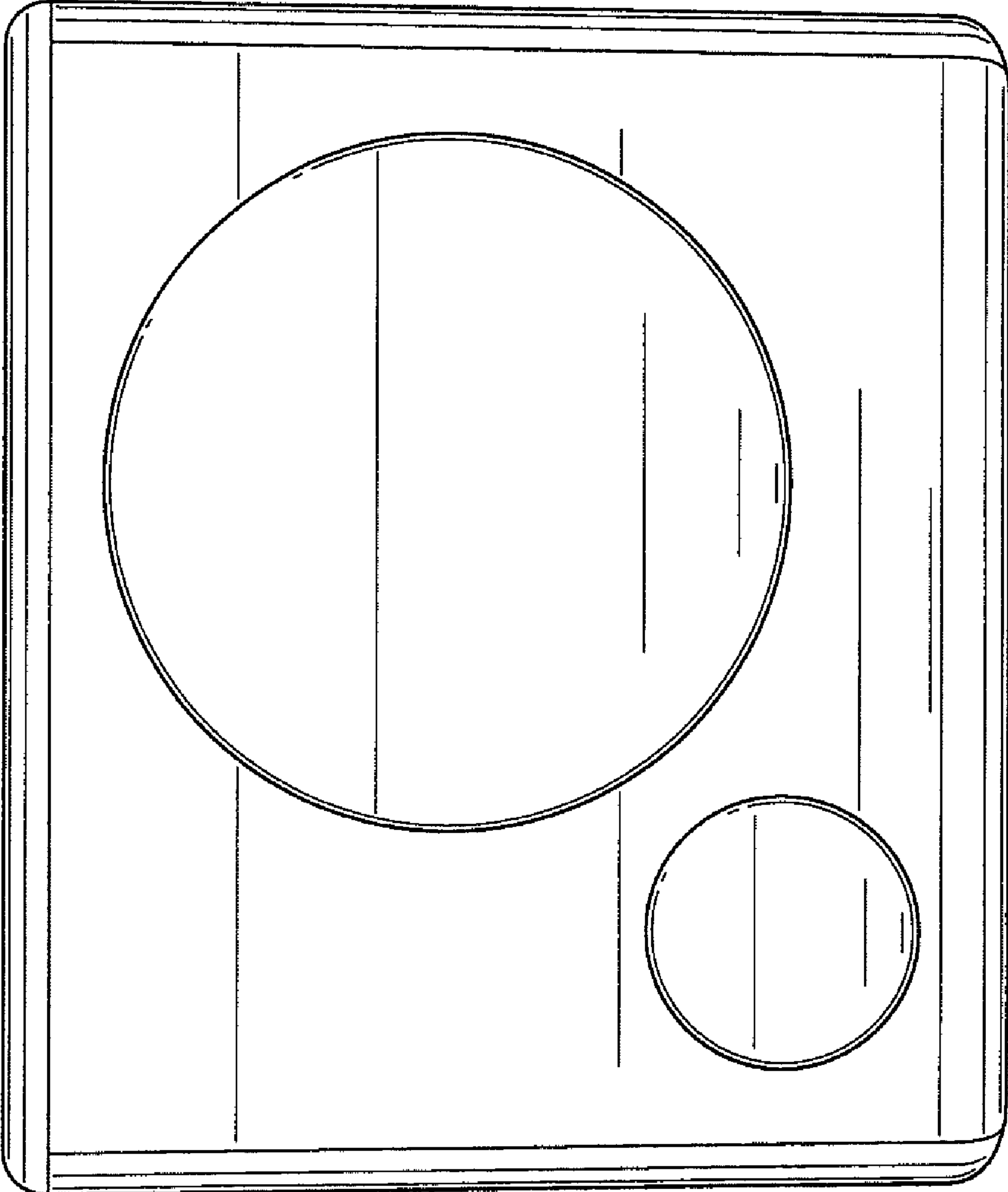


FIG. 1

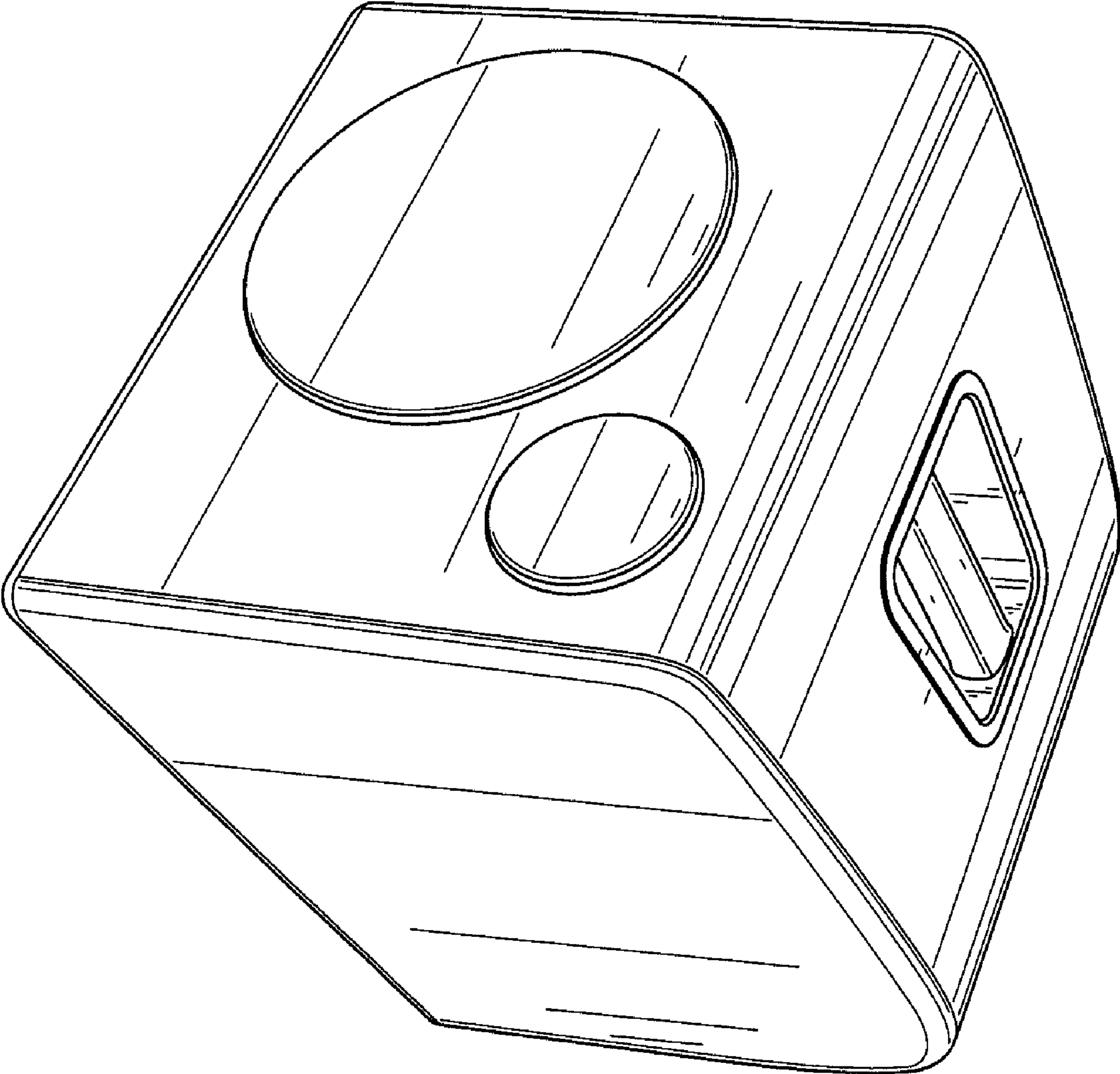


FIG. 2

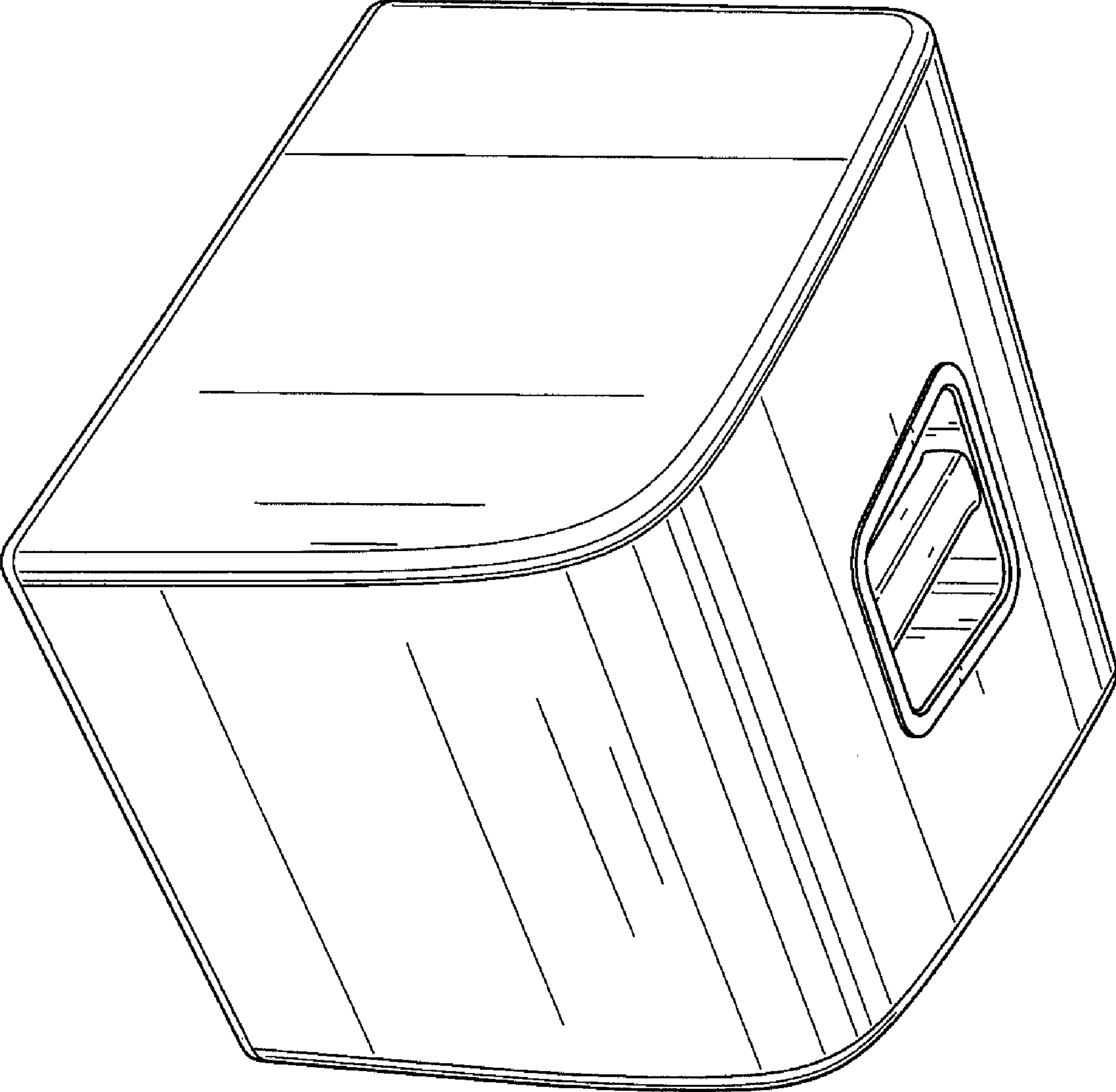


FIG. 3

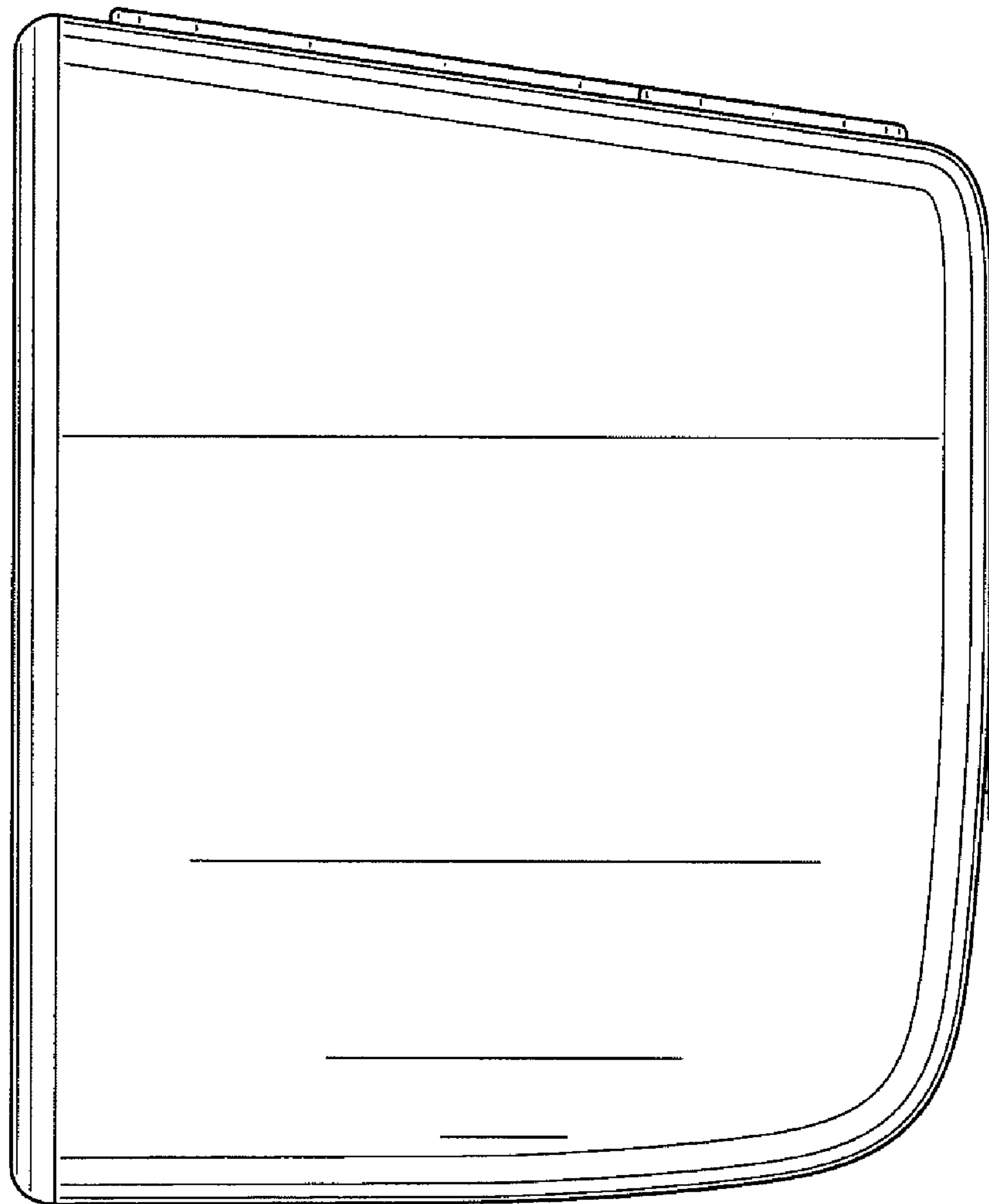


FIG. 4

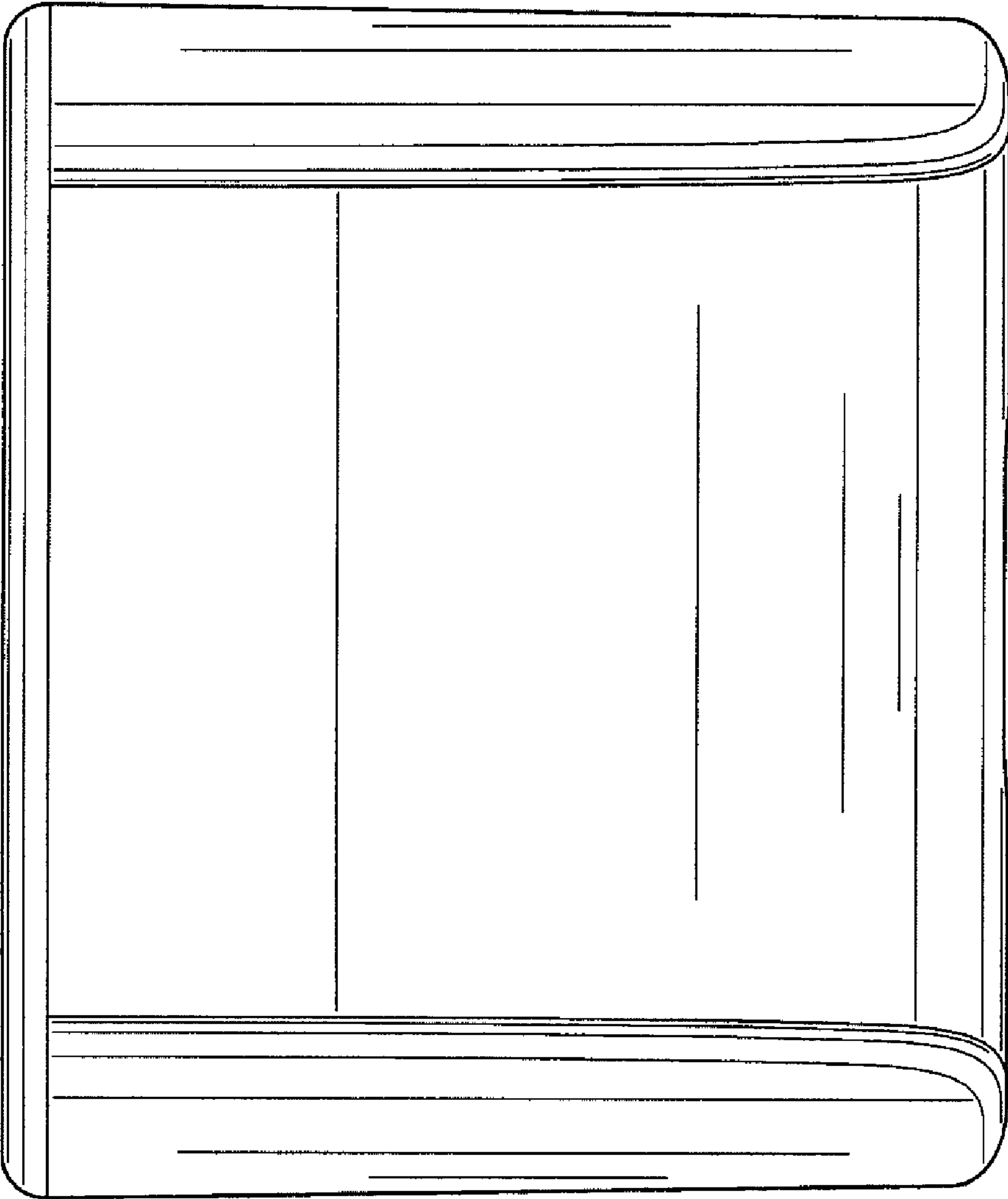


FIG. 5

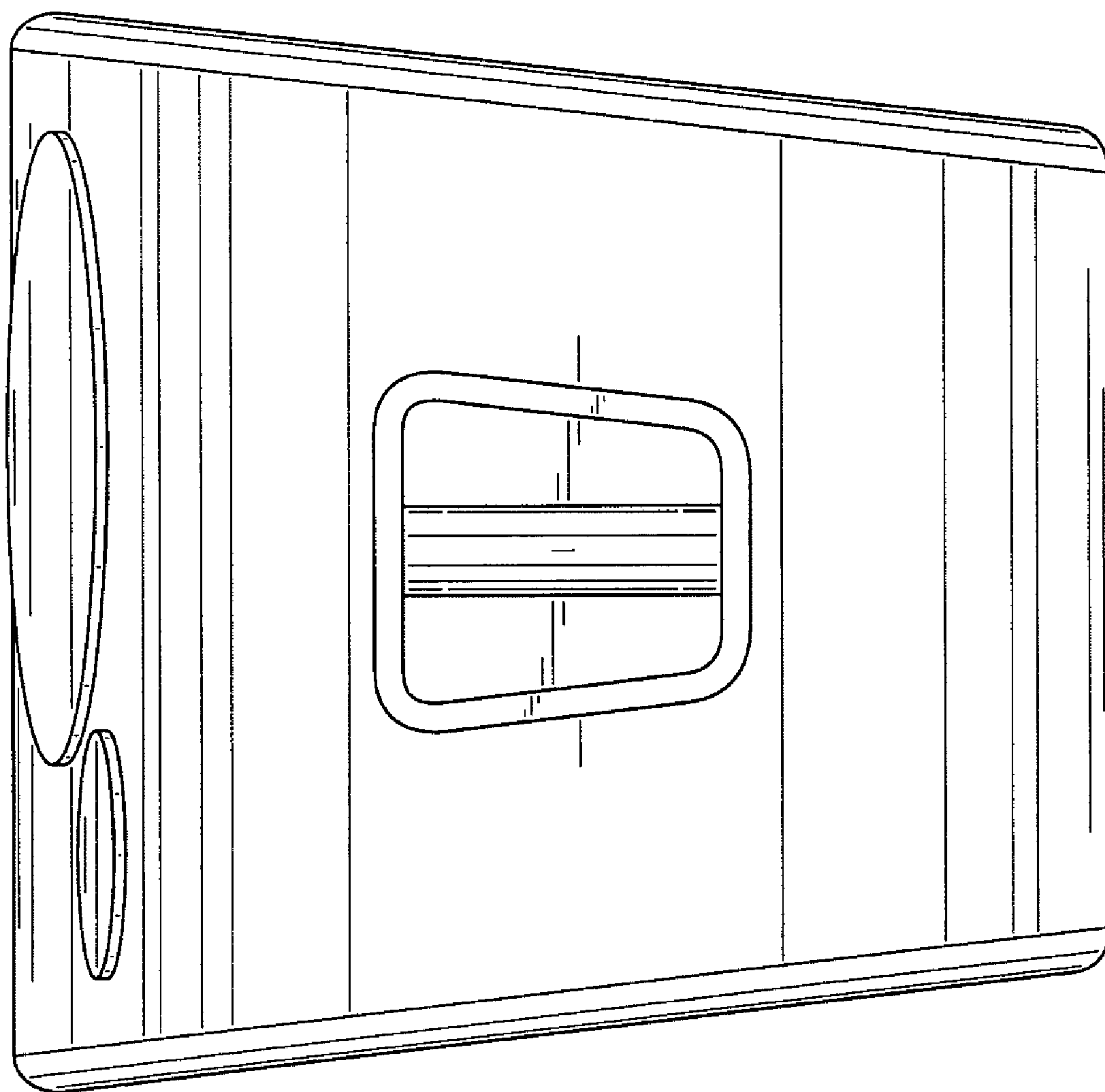


FIG. 6

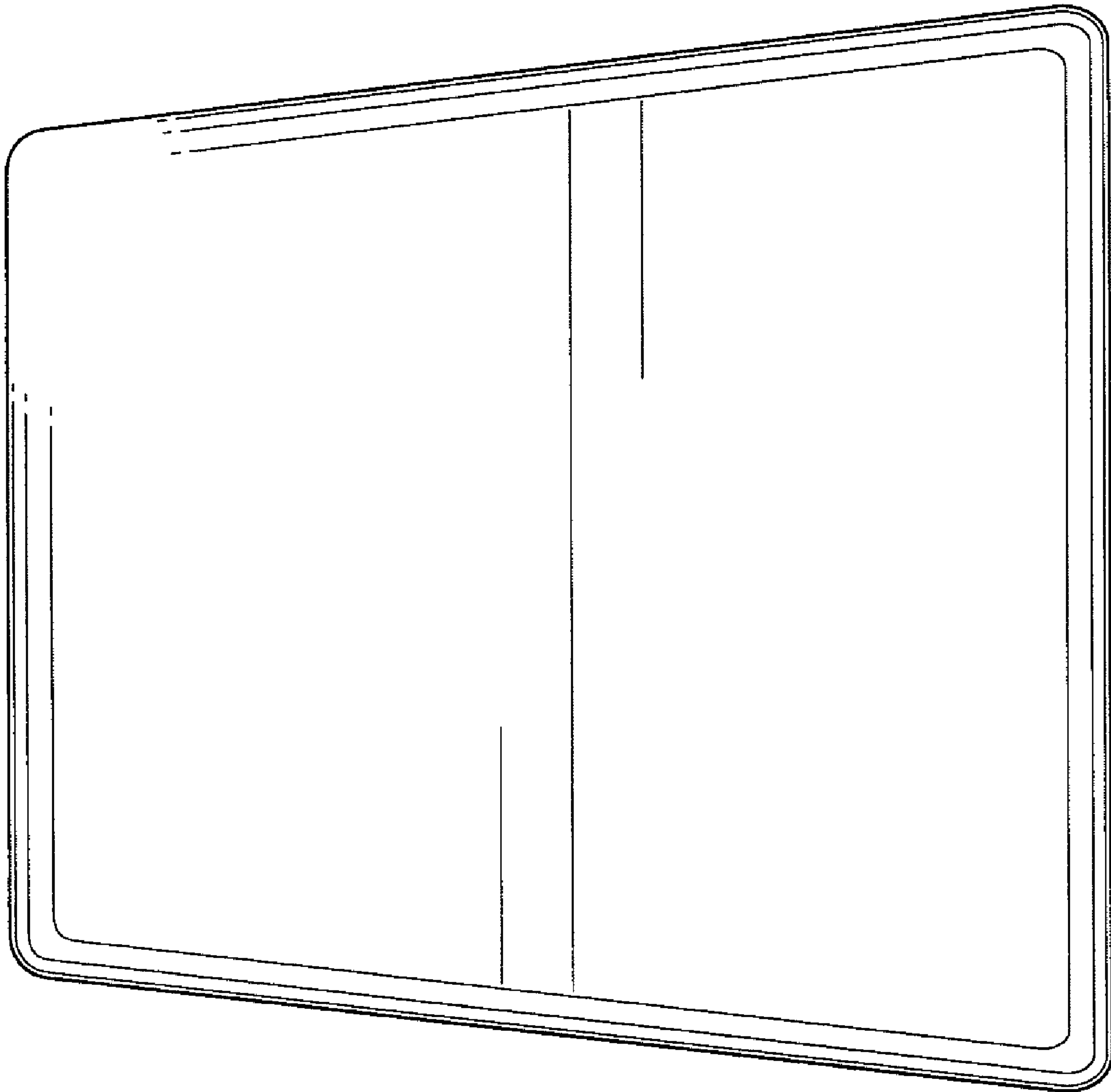


FIG. 7