



US00D587237S

(12) **United States Design Patent**
Son et al.

(10) **Patent No.:** **US D587,237 S**
(45) **Date of Patent:** **** Feb. 24, 2009**

(54) **HOME THEATER**

(75) Inventors: **Chae-Joo Son**, Seoul (KR); **Ji-Gwang Kim**, Seoul (KR); **Jae-Hyung Kim**, Kyunggi-do (KR)

(73) Assignee: **Samsung Electronics Co., Ltd.**, Suwon, Kyunggi-Do (KR)

(**) Term: **14 Years**

(21) Appl. No.: **29/308,012**

(22) Filed: **May 22, 2008**

(51) **LOC (9) Cl.** **14-01**

(52) **U.S. Cl.** **D14/168**; D14/214

(58) **Field of Classification Search** D14/135-136, D14/156, 168, 188, 197-198, 172, 204, 211-215; 360/99.02, 99.07; 369/75.11, 75.21, 77.11, 369/77.21; 455/344, 347-351
See application file for complete search history.

(56) **References Cited**

U.S. PATENT DOCUMENTS

- D392,966 S * 3/1998 Lee et al. D14/135
- D501,841 S * 2/2005 Hsu D14/171
- D520,494 S * 5/2006 Aiba et al. D14/214

- D529,019 S 9/2006 Lim
- D548,222 S 8/2007 Kim
- D551,207 S * 9/2007 Yano D14/214
- D551,665 S 9/2007 Tom et al.
- D561,142 S 2/2008 Oh

* cited by examiner

Primary Examiner—Nanda Bondade
(74) *Attorney, Agent, or Firm*—Flynn, Thiel, Boutell & Tanis, P.C.

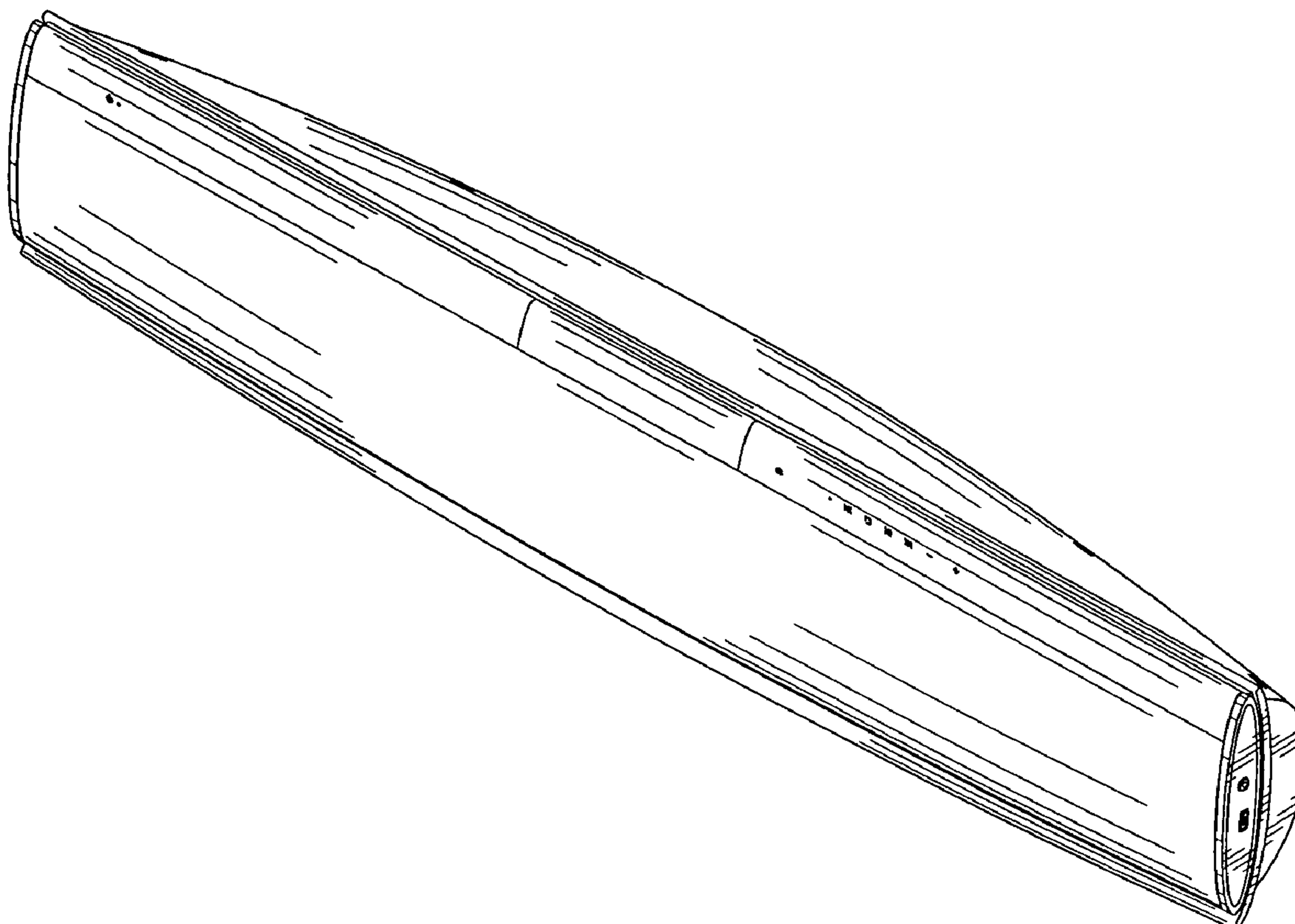
(57) **CLAIM**

The ornamental design for a home theater, as shown and described.

DESCRIPTION

FIG. 1 is a top front perspective view of a home theater showing our new design;
FIG. 2 is a front elevational view thereof;
FIG. 3 is a rear elevational view thereof;
FIG. 4 is a left side elevational view thereof;
FIG. 5 is a right side elevational view thereof;
FIG. 6 is a top plan view thereof; and,
FIG. 7 is a bottom plan view thereof.

1 Claim, 3 Drawing Sheets



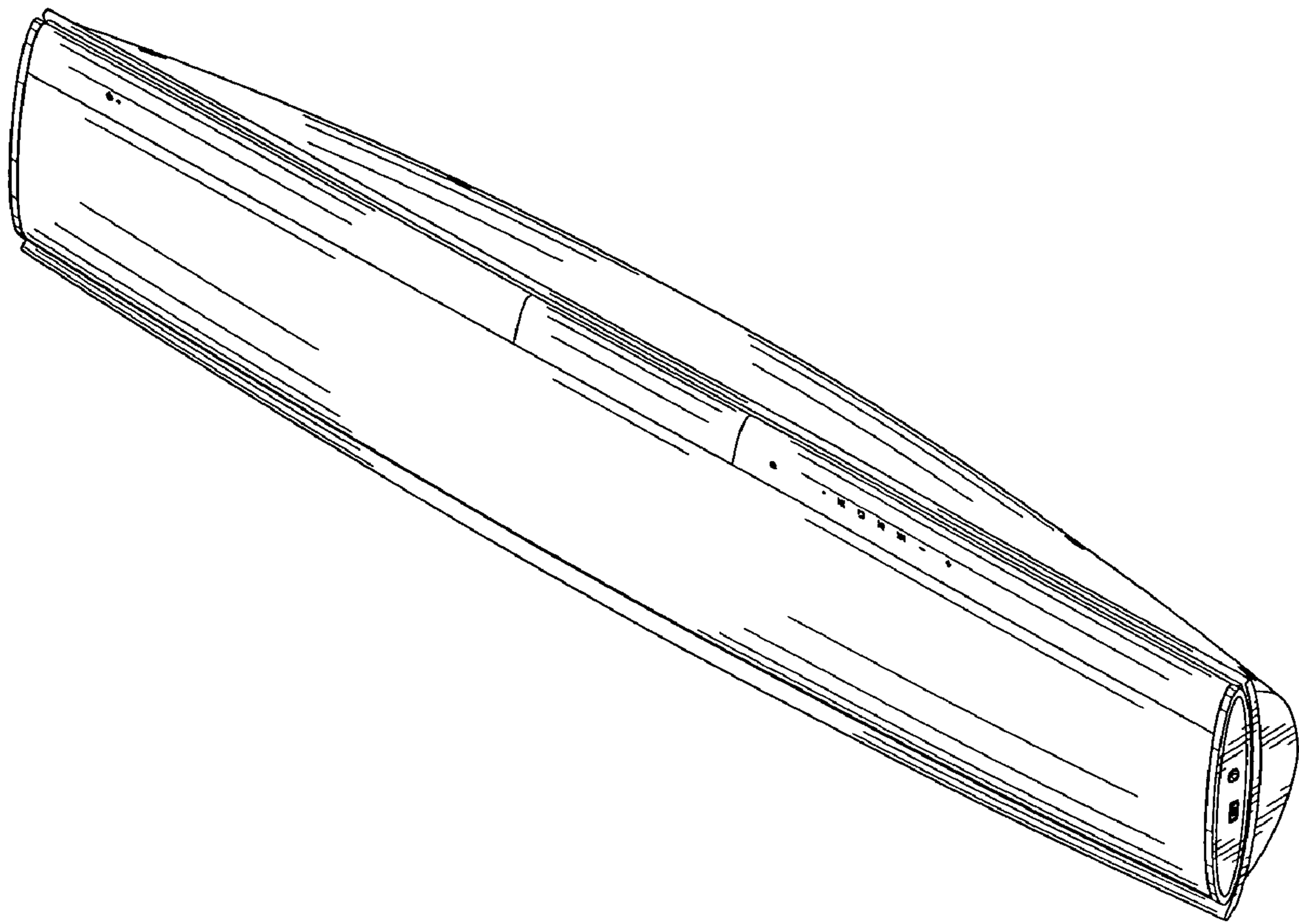


FIG. 1

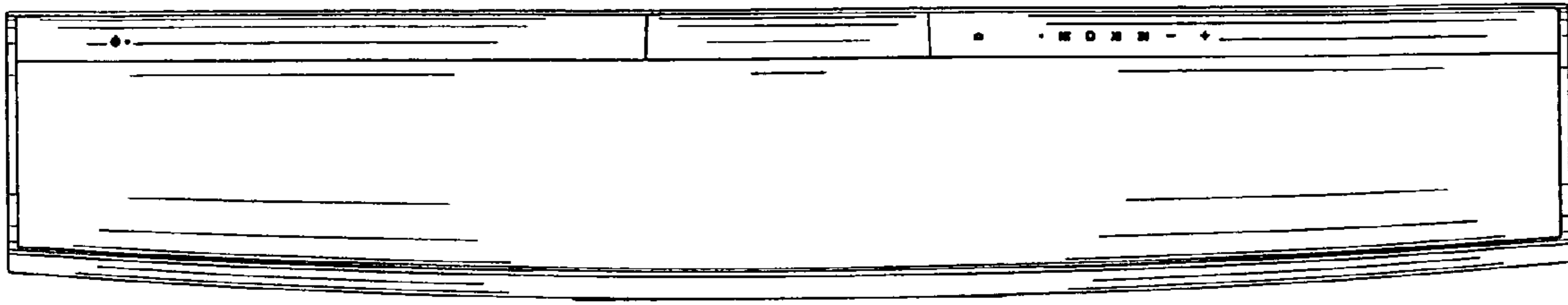


FIG. 2

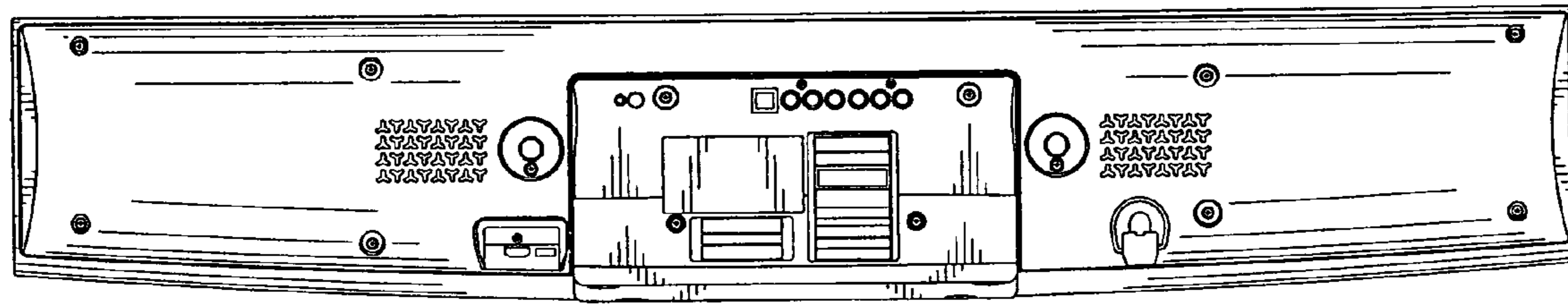


FIG. 3

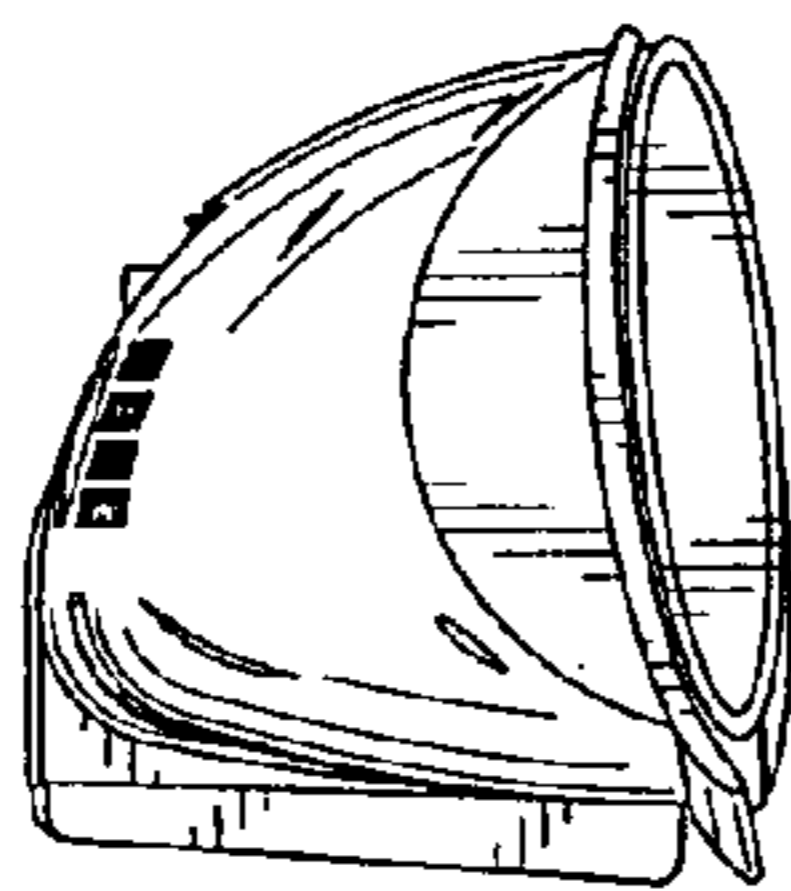


FIG. 4

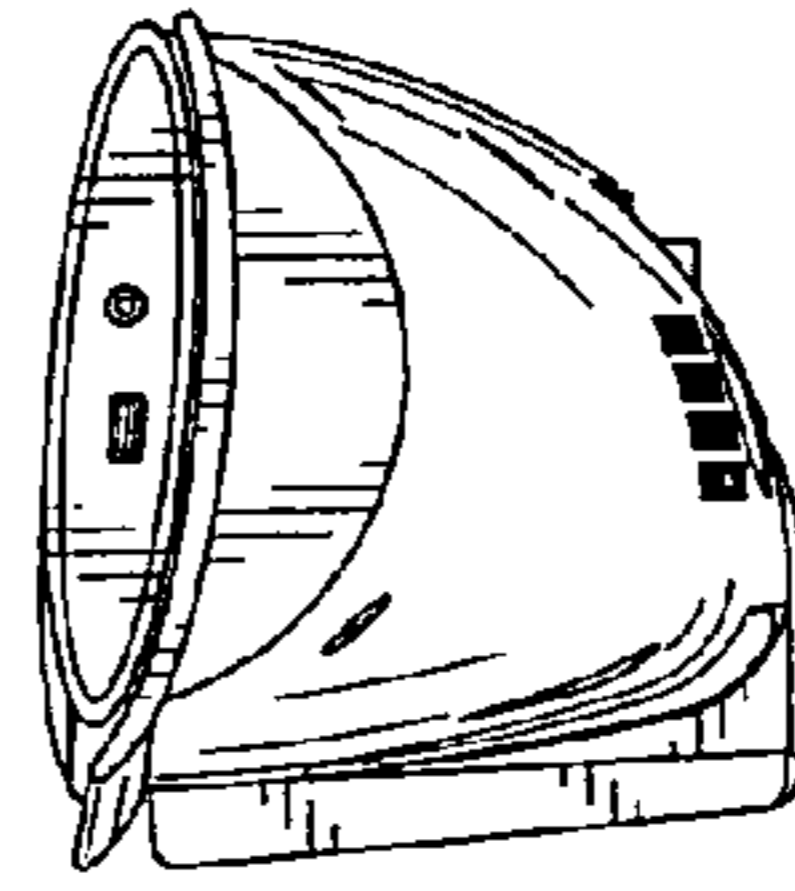


FIG. 5

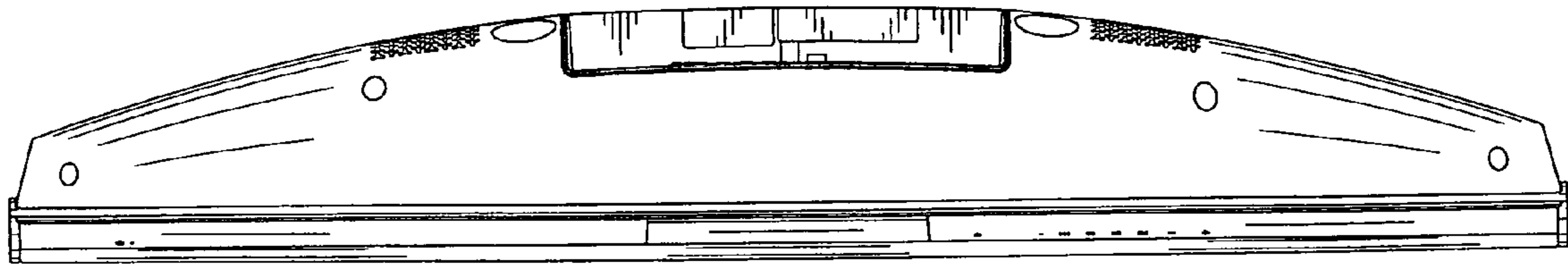


FIG. 6

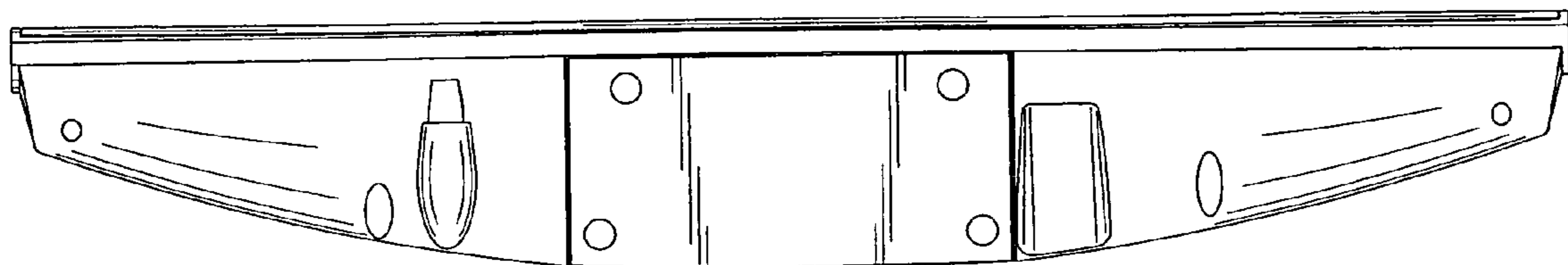


FIG. 7