



US00D587235S

(12) **United States Design Patent**  
**Hanafusa et al.**

(10) **Patent No.:** **US D587,235 S**

(45) **Date of Patent:** **\*\* Feb. 24, 2009**

(54) **MOBILE TELEPHONE**

(75) Inventors: **Norihito Hanafusa**, Zushi (JP);  
**Yukinori Ido**, Tokyo (JP); **Takao**  
**Matsuda**, Tokyo (JP)

(73) Assignee: **Casio Hitachi Mobile Communications**  
**Co., Ltd.**, Higashiyamato-shi, Tokyo  
(JP)

(\*\*) Term: **14 Years**

(21) Appl. No.: **29/318,870**

(22) Filed: **May 29, 2008**

(51) **LOC (9) Cl.** ..... **14-03**

(52) **U.S. Cl.** ..... **D14/138 AB**

(58) **Field of Classification Search** ..... D14/138 AB,  
D14/496, 341-347, 225, 226; 455/575.3  
See application file for complete search history.

(56) **References Cited**

**U.S. PATENT DOCUMENTS**

D447,128	S	*	8/2001	Lee et al.	.....	D14/138 AB
D493,440	S	*	7/2004	Chou et al.	.....	D14/138 AB
D505,933	S	*	6/2005	Lodato et al.	.....	D14/138 AB
D525,224	S	*	7/2006	Pitt et al.	.....	D14/138 AB
D559,217	S	*	1/2008	Helin et al.	.....	D14/138 AB
D559,821	S	*	1/2008	Lee	.....	D14/138 AB
D560,183	S	*	1/2008	Kim et al.	.....	D14/138 AB
D563,351	S	*	3/2008	Baik et al.	.....	D14/138 AB
D565,531	S	*	4/2008	Park et al.	.....	D14/138 AB
D572,687	S	*	7/2008	Kim et al.	.....	D14/138
D574,348	S	*	8/2008	Mun	.....	D14/138
D575,256	S	*	8/2008	Kim et al.	.....	D14/138
D575,755	S	*	8/2008	Kim et al.	.....	D14/138
D576,137	S	*	9/2008	Jeon et al.	.....	D14/138 AB
7,433,722	B2	*	10/2008	Sakamoto et al.	.....	455/575.3
D579,895	S	*	11/2008	Yoshihara et al.	.....	D14/138 R
7,450,977	B2	*	11/2008	Oe et al.	.....	455/575.3
2004/0097277	A1	*	5/2004	Shimamura	.....	455/575.3
2006/0058079	A1	*	3/2006	Goto	.....	455/575.3
2008/0242379	A1	*	10/2008	Fujii	.....	455/575.3

**OTHER PUBLICATIONS**

Samsung E490 telephone, announced Nov. 2006, [online], [site visited Dec. 6, 2008]. Available from Internet ,<URL: http://www.gsmarena.com>.\*

(Continued)

*Primary Examiner*—Jeffrey D Asch

(74) *Attorney, Agent, or Firm*—Frishauf, Holtz, Goodman & Chick, P.C.

(57) **CLAIM**

The ornamental design for a mobile telephone, as shown and described.

**DESCRIPTION**

FIG. 1 is a front, right side and bottom perspective view of a mobile telephone showing our new design;

FIG. 2 is a front view thereof;

FIG. 3 is a rear view thereof;

FIG. 4 is a left side view thereof;

FIG. 5 is a right side view thereof;

FIG. 6 is a top plan view thereof;

FIG. 7 is a bottom plan view thereof;

FIG. 8 is a rear, right side and top perspective view thereof;

FIG. 9 is a front, right side and bottom perspective view thereof in an open position;

FIG. 10 is a front view thereof;

FIG. 11 is a rear view thereof;

FIG. 12 is a left side view thereof;

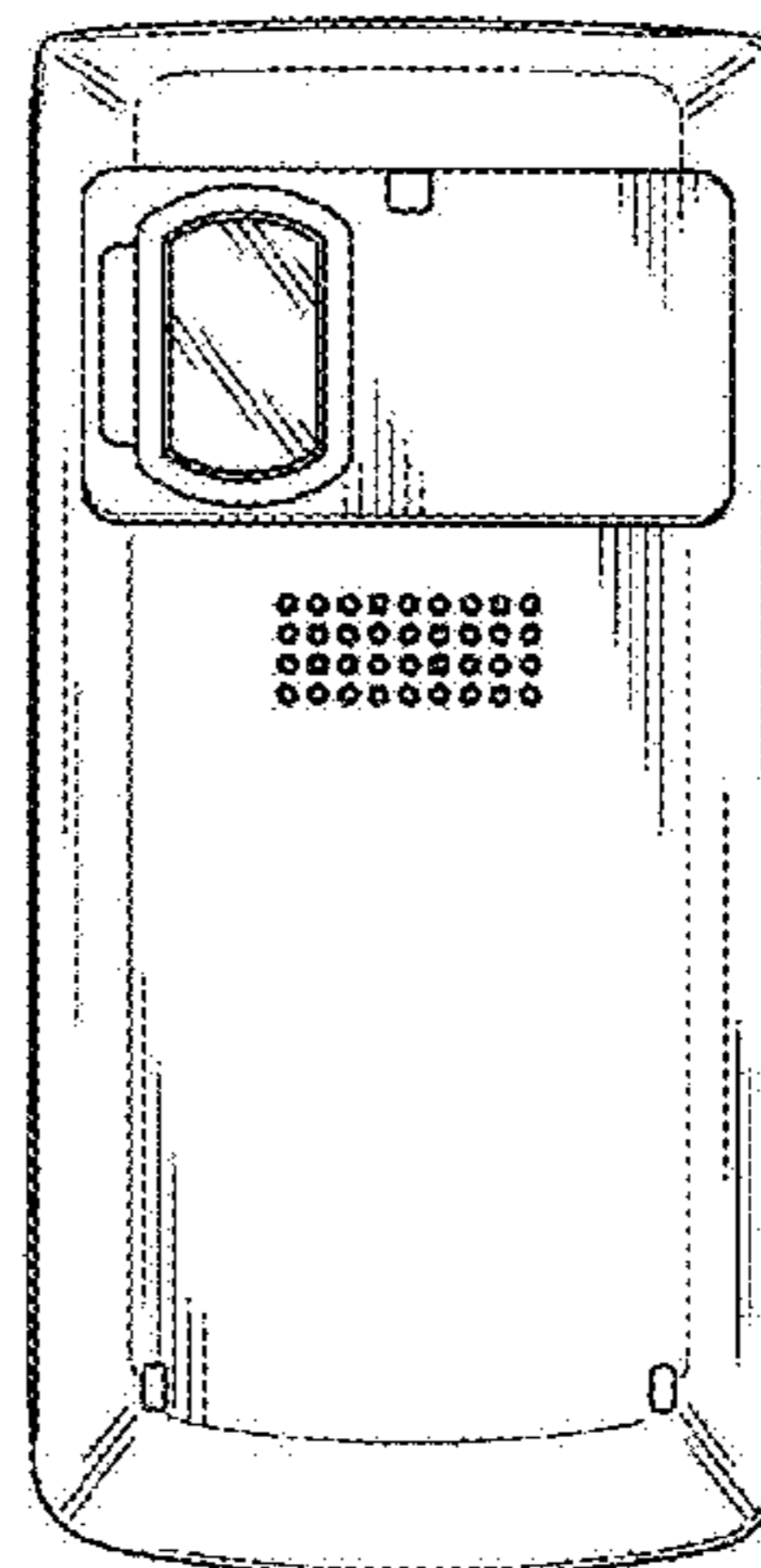
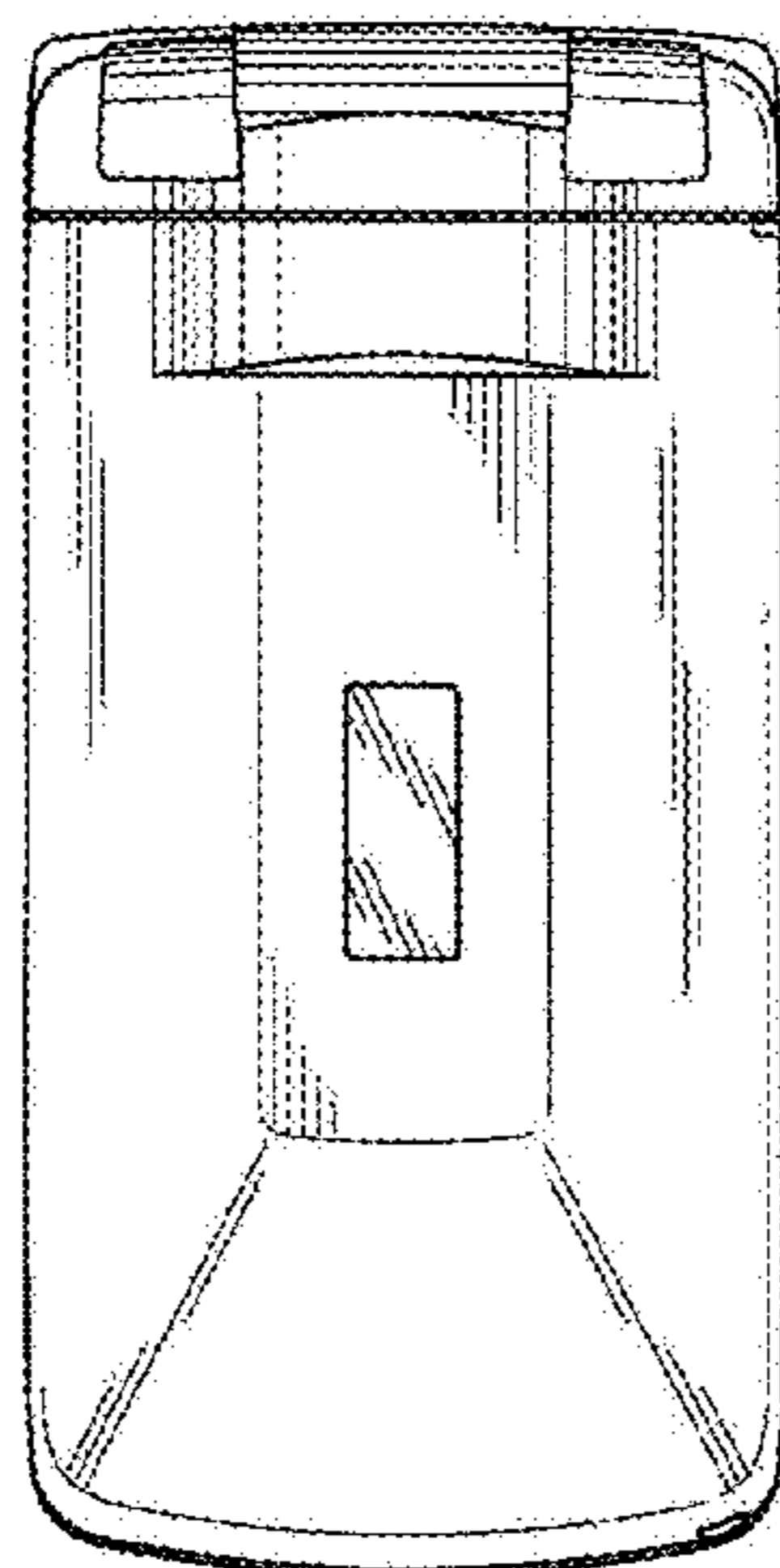
FIG. 13 is a right side view thereof;

FIG. 14 is a top plan view thereof;

FIG. 15 is a bottom plan view thereof; and,

FIG. 16 is a front view thereof with the display part in a rotated position.

**1 Claim, 16 Drawing Sheets**



OTHER PUBLICATIONS

Samsung Z710 telephone, announced Feb. 2006, [online], [site visited Dec. 6, 2008]. Available from Internet ,<URL: <http://www.gsmarena.com>>.\*

Samsung D700 telephone, announced 3rd quarter 2003, [online], [site visited Dec. 6, 2008]. Available from Internet , <URL: <http://www.gsmarena.com>>.\*

Motorola W380 telephone, announced Mar. 2007, [online], [site visited Dec. 6, 2008]. Available from Internet ,<URL: <http://www.gsmarena.com>>.\*

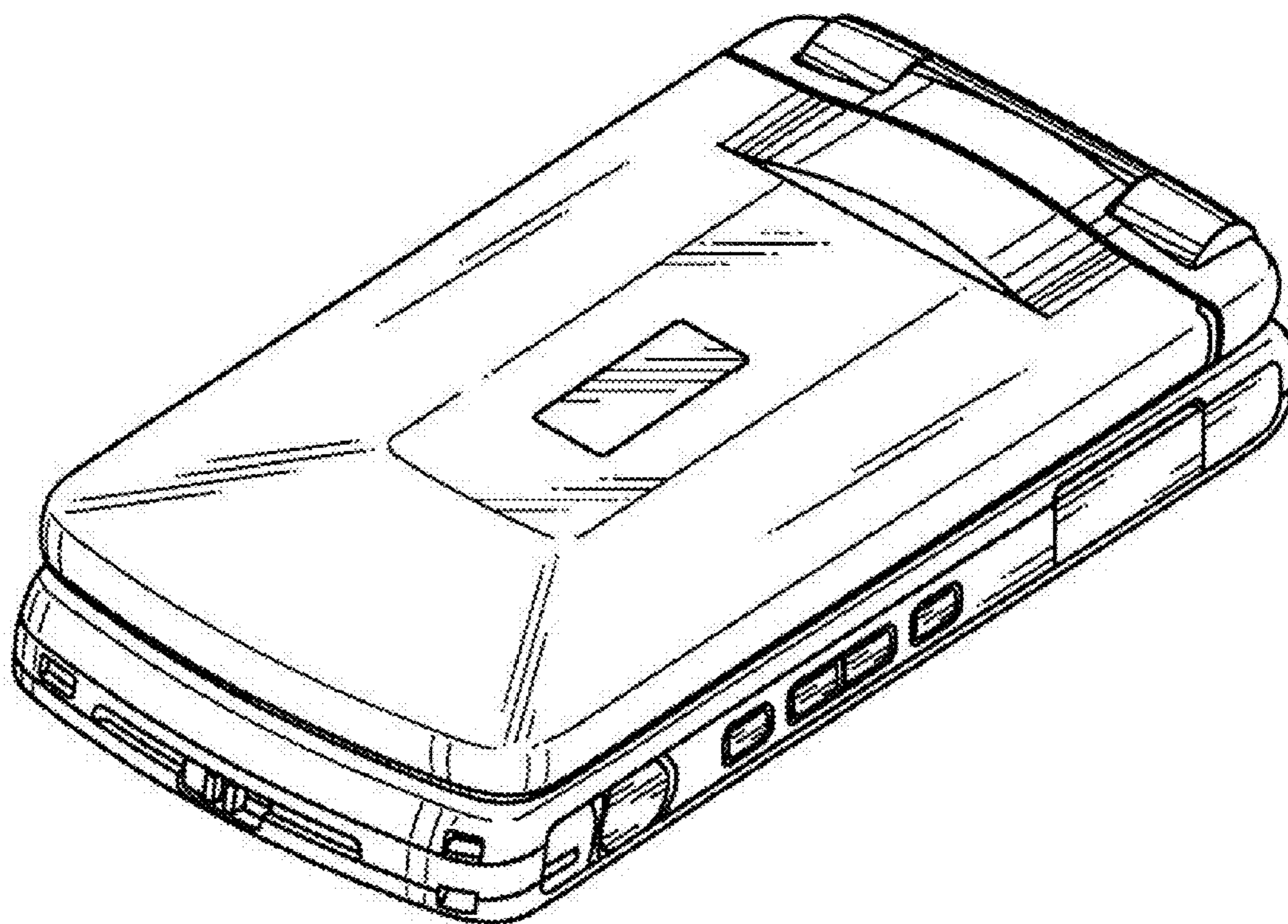
Sony Ericsson Z558 telephone, announced Sep. 2006, [online], [site visited Dec. 6, 2008]. Available from Internet , <URL: <http://www.gsmarena.com>>.\*

Sharp 904 telephone, announced Feb. 2006, [online], [site visited Dec. 6, 2008]. Available from Internet ,<URL: <http://www.gsmarena.com>>.\*

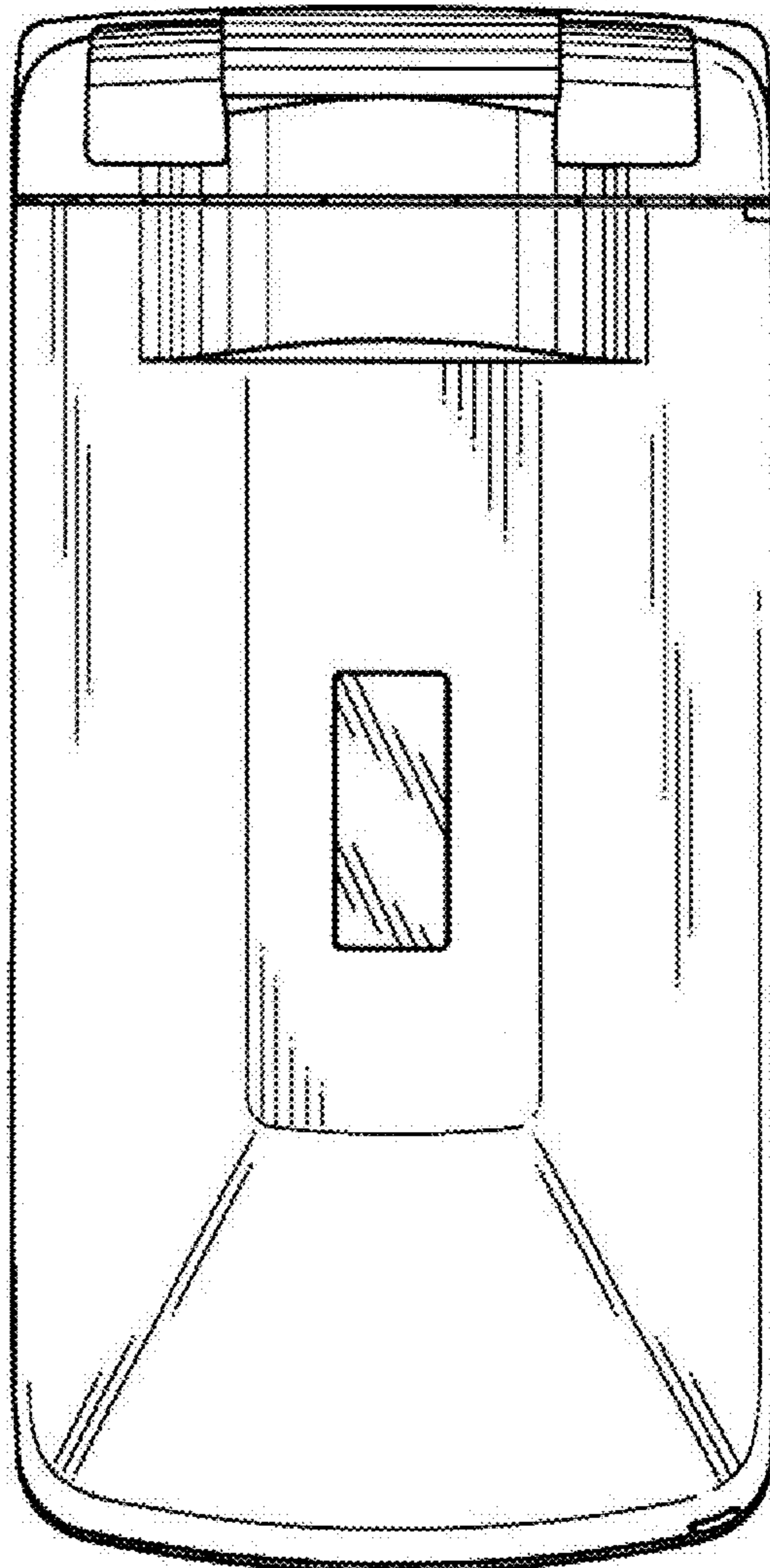
NEC N500iS telephone, announced Feb. 2006, [online], [site visited Dec. 6, 2008]. Available from Internet ,<URL: <http://www.gsmarena.com>>.\*

\* cited by examiner

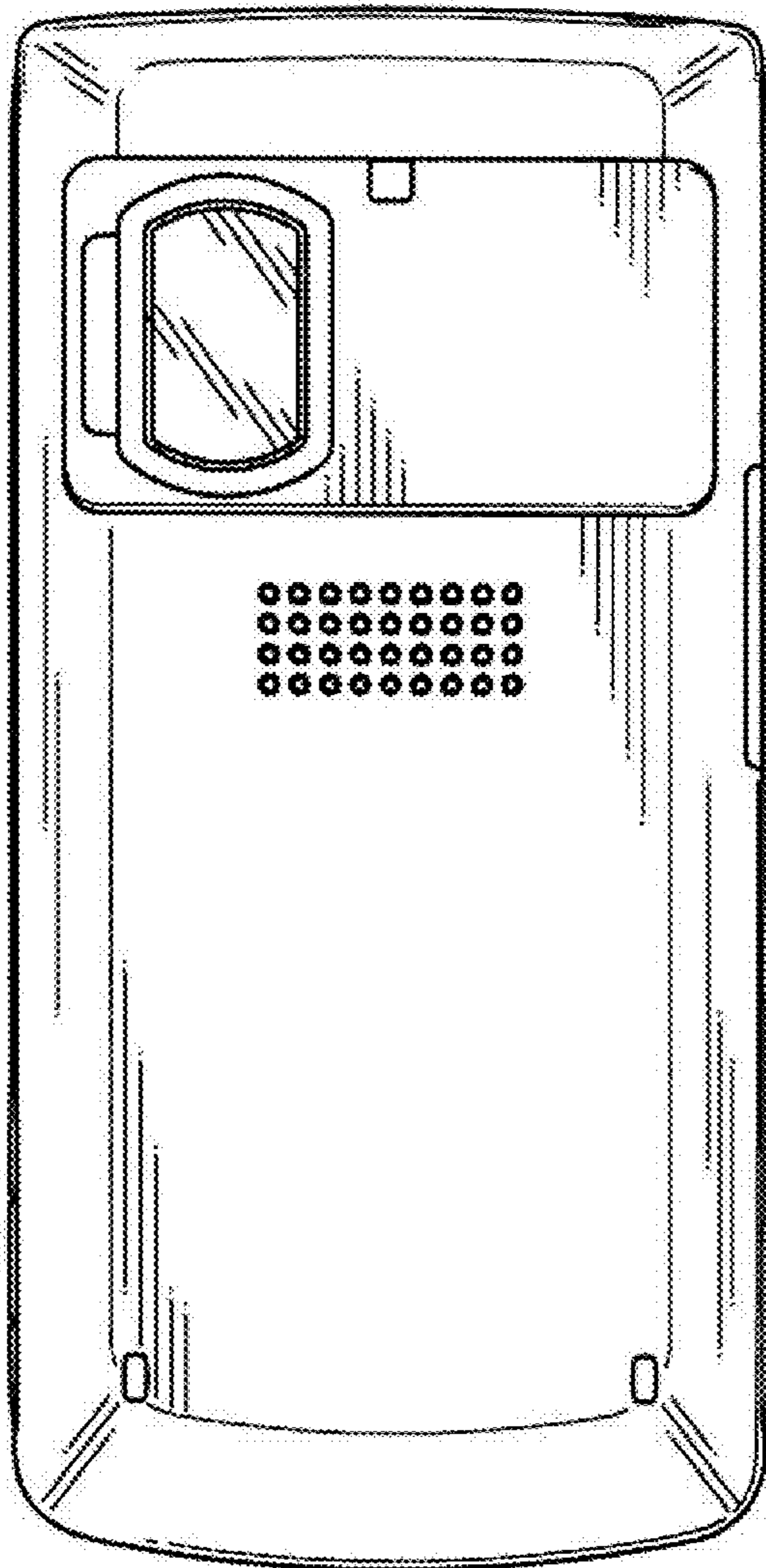
***FIG. 1***



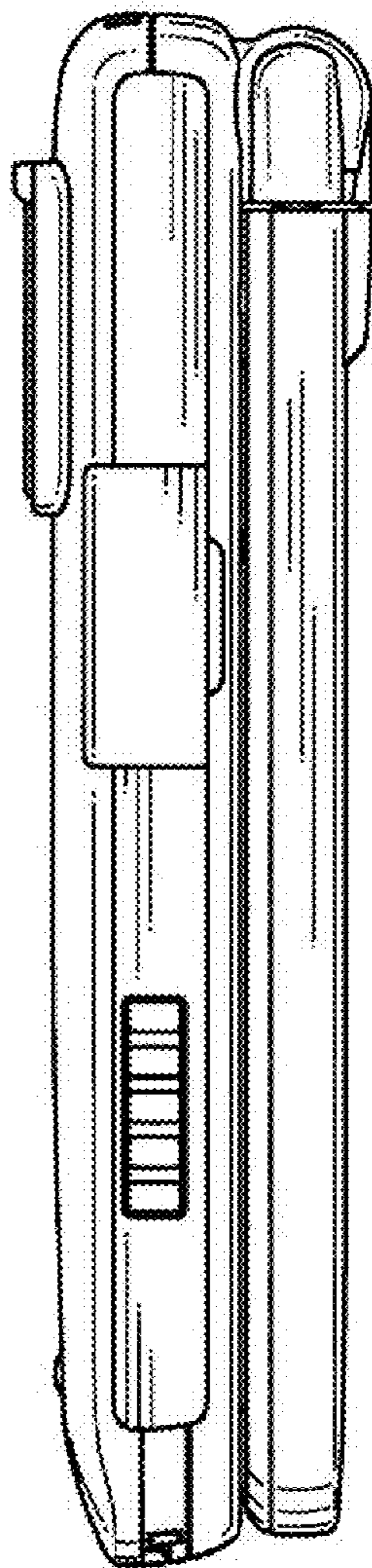
**FIG. 2**



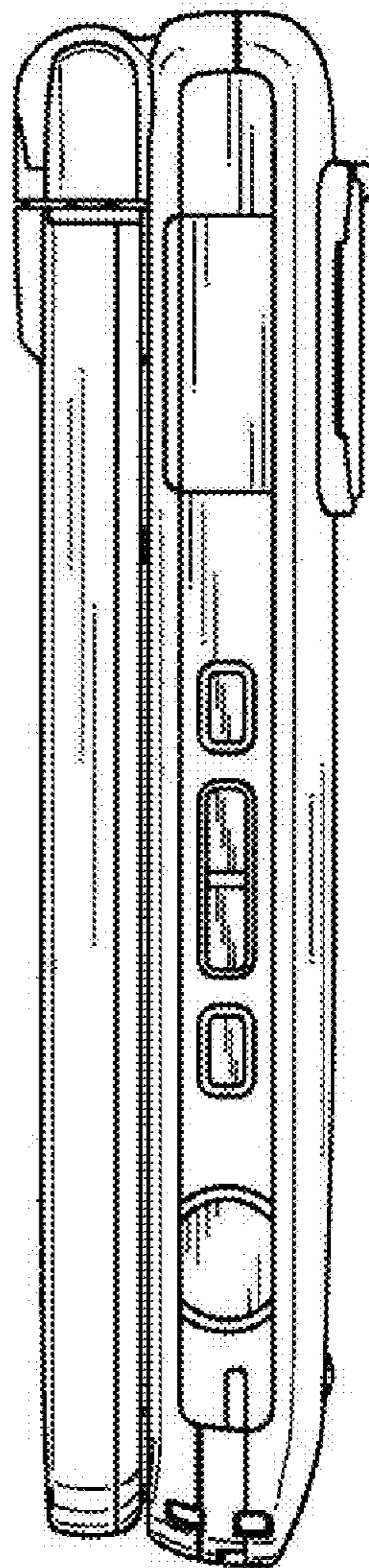
*FIG. 3*



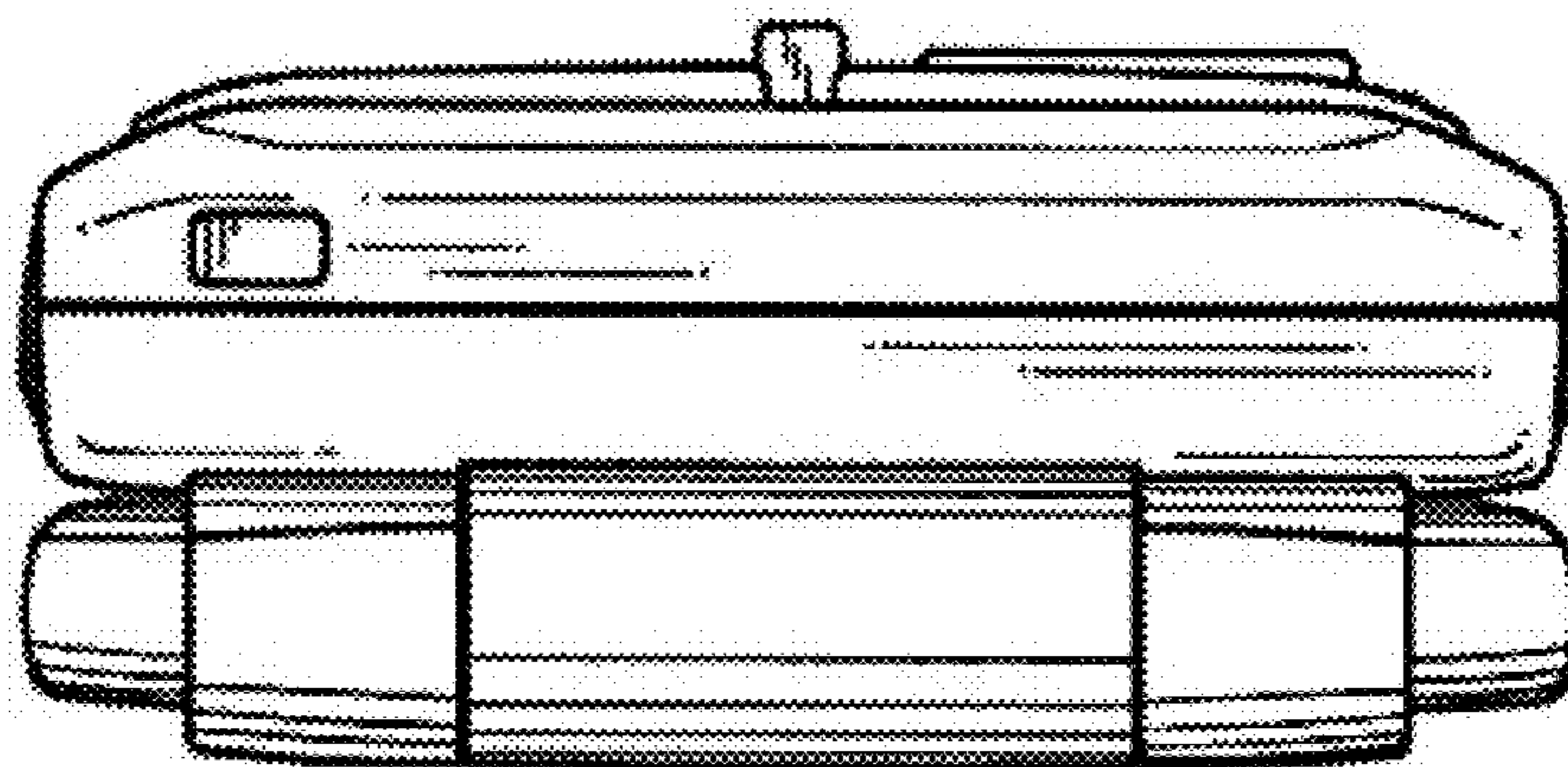
***FIG. 4***



***FIG. 5***

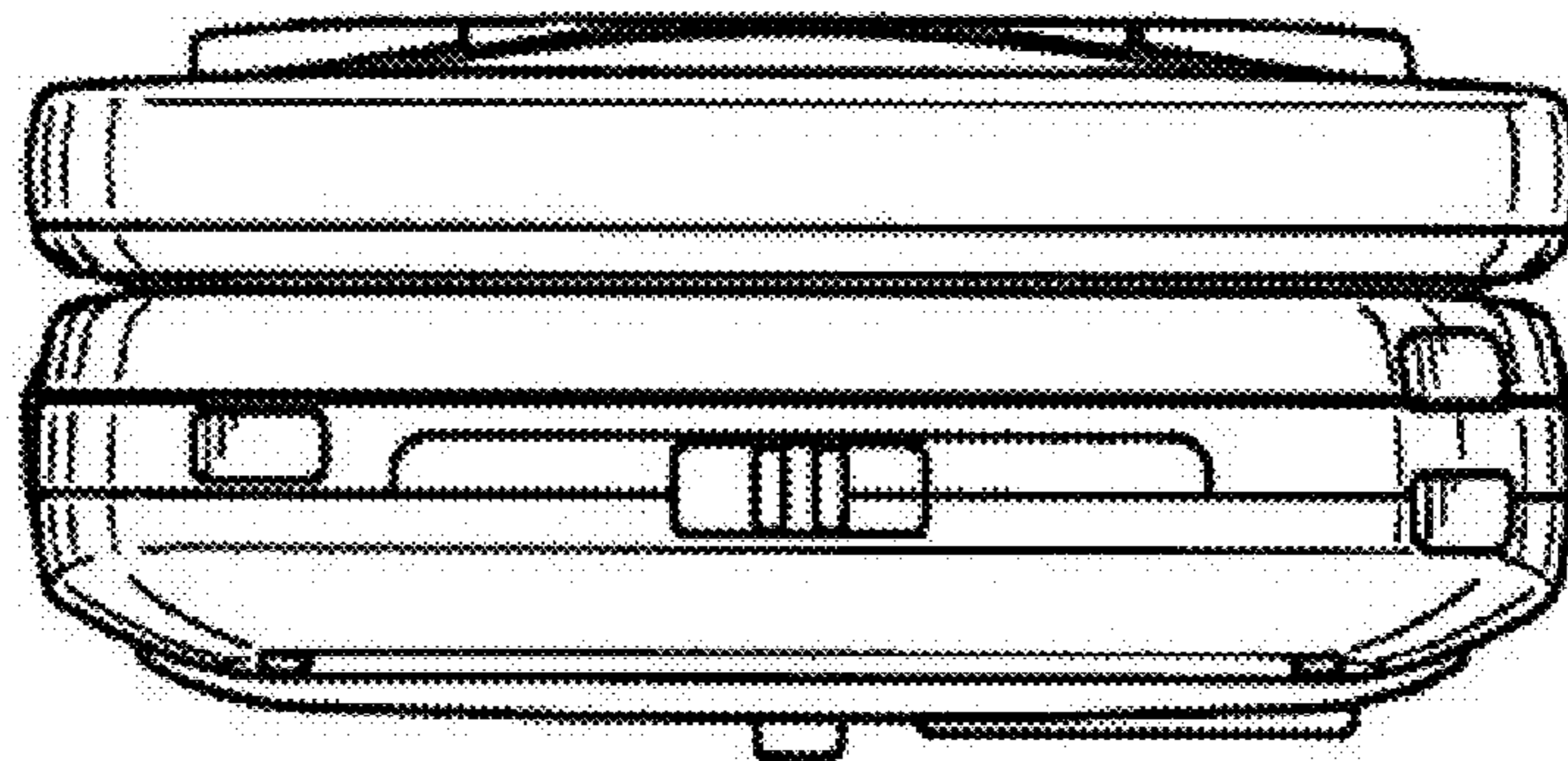


*FIG. 6*

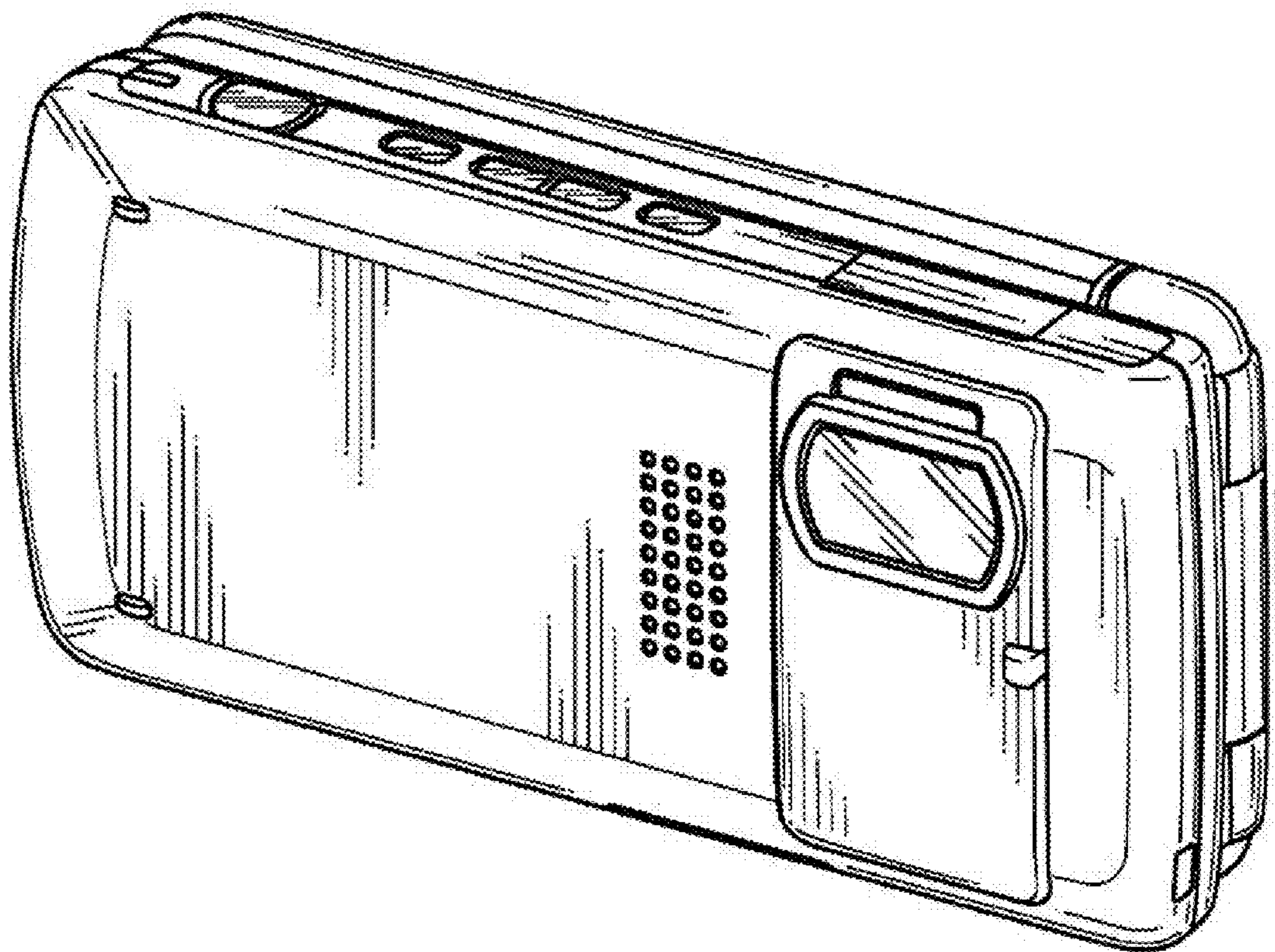




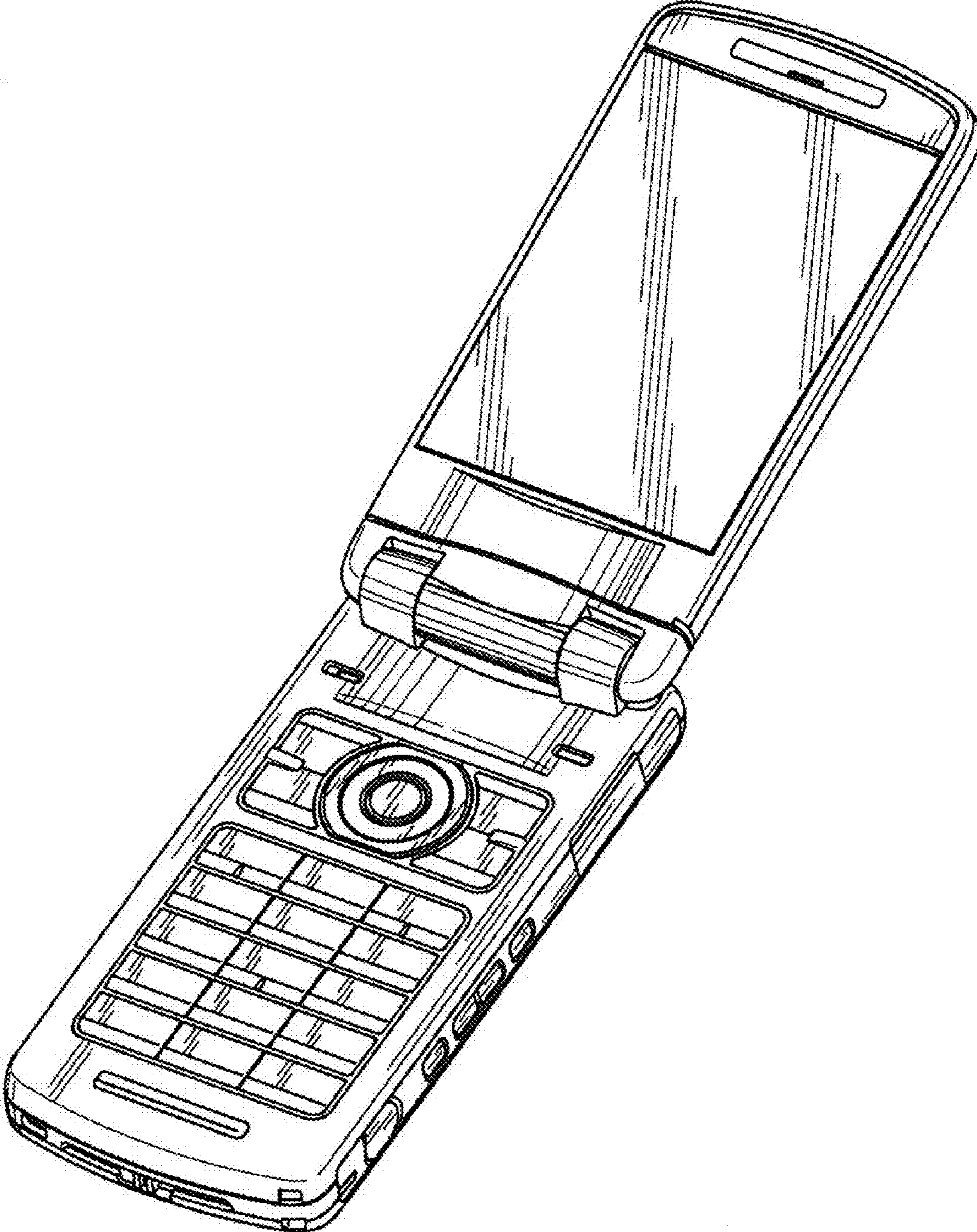
*FIG. 7*



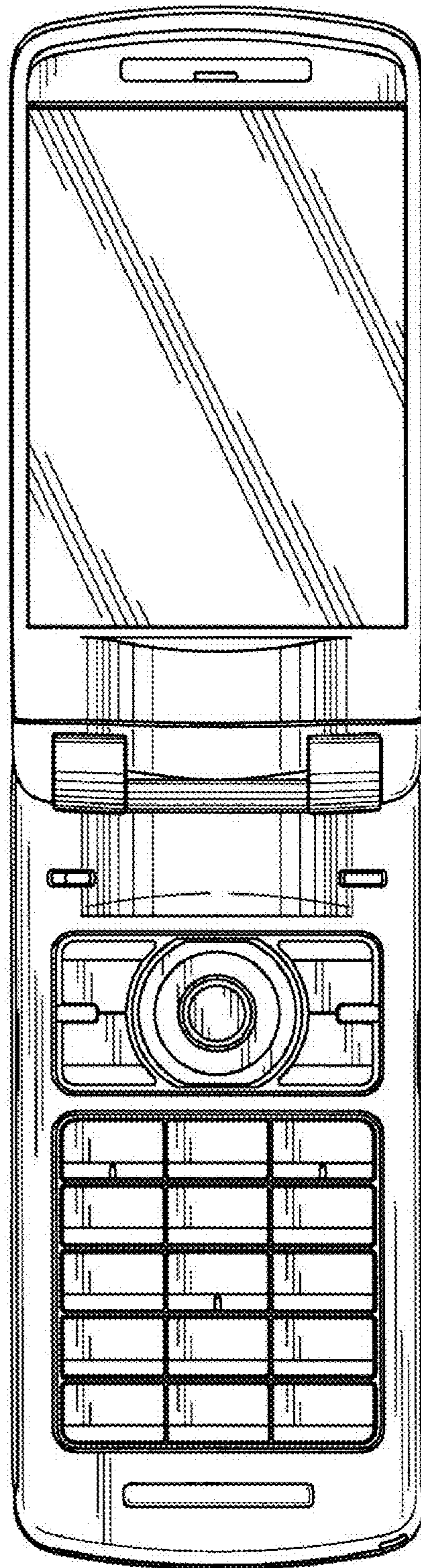
*FIG. 8*



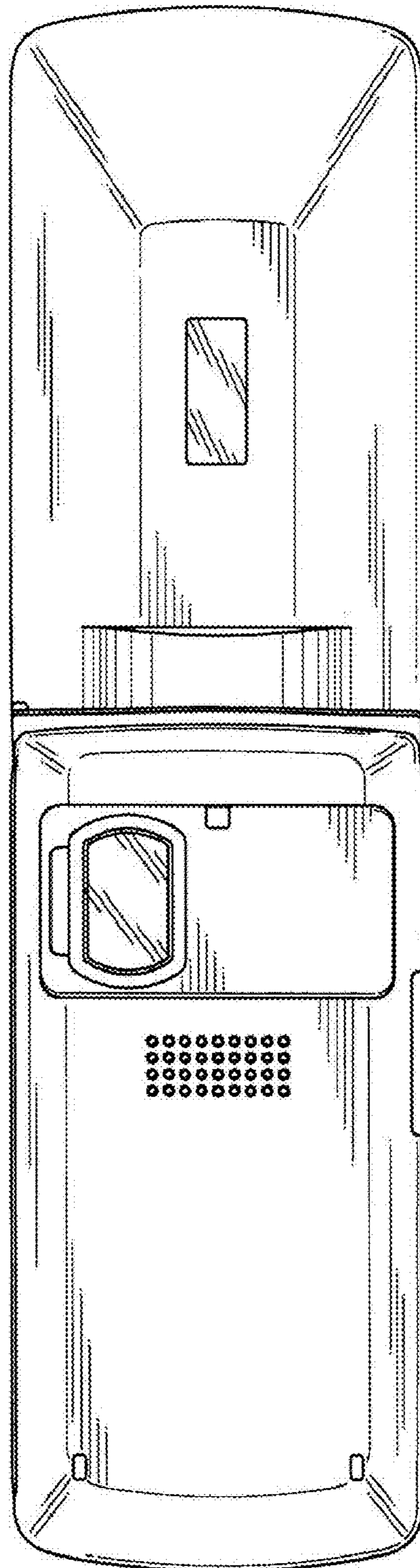
**FIG. 9**



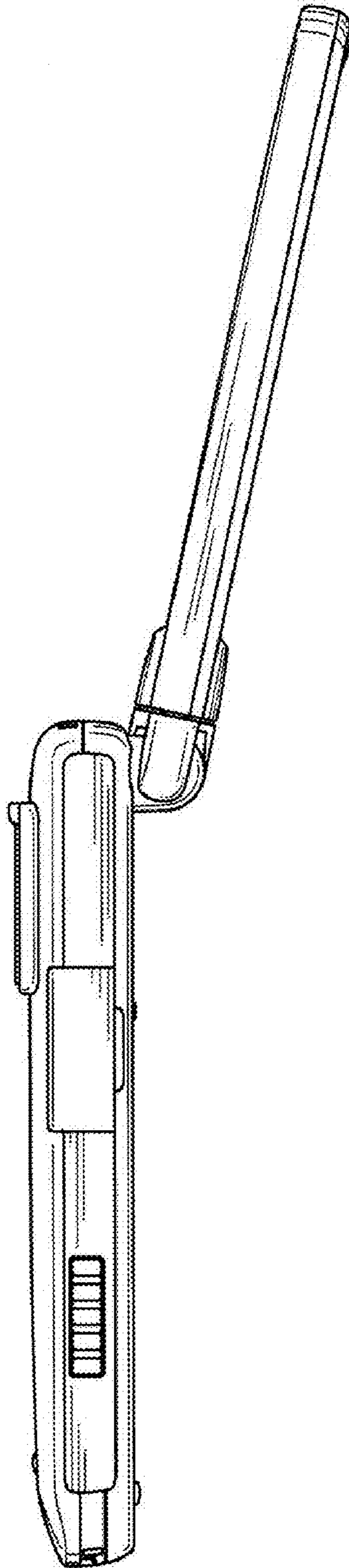
*FIG. 10*



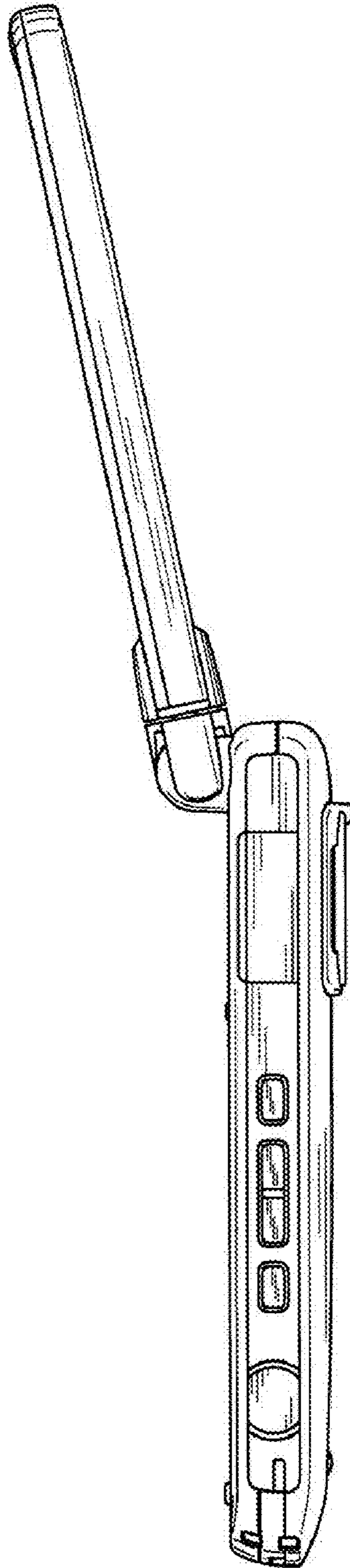
**FIG 11**



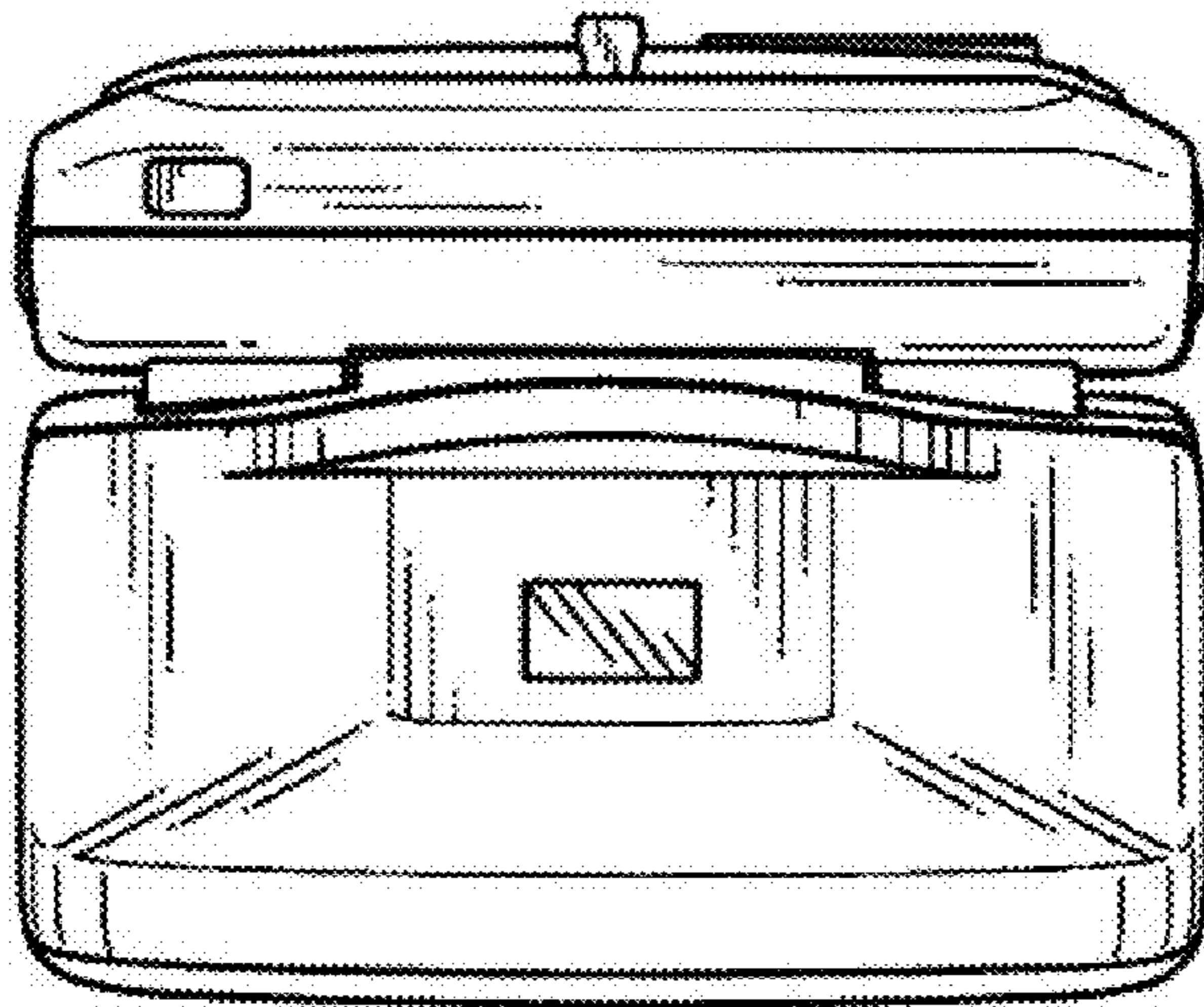
***FIG. 12***



***FIG. 13***

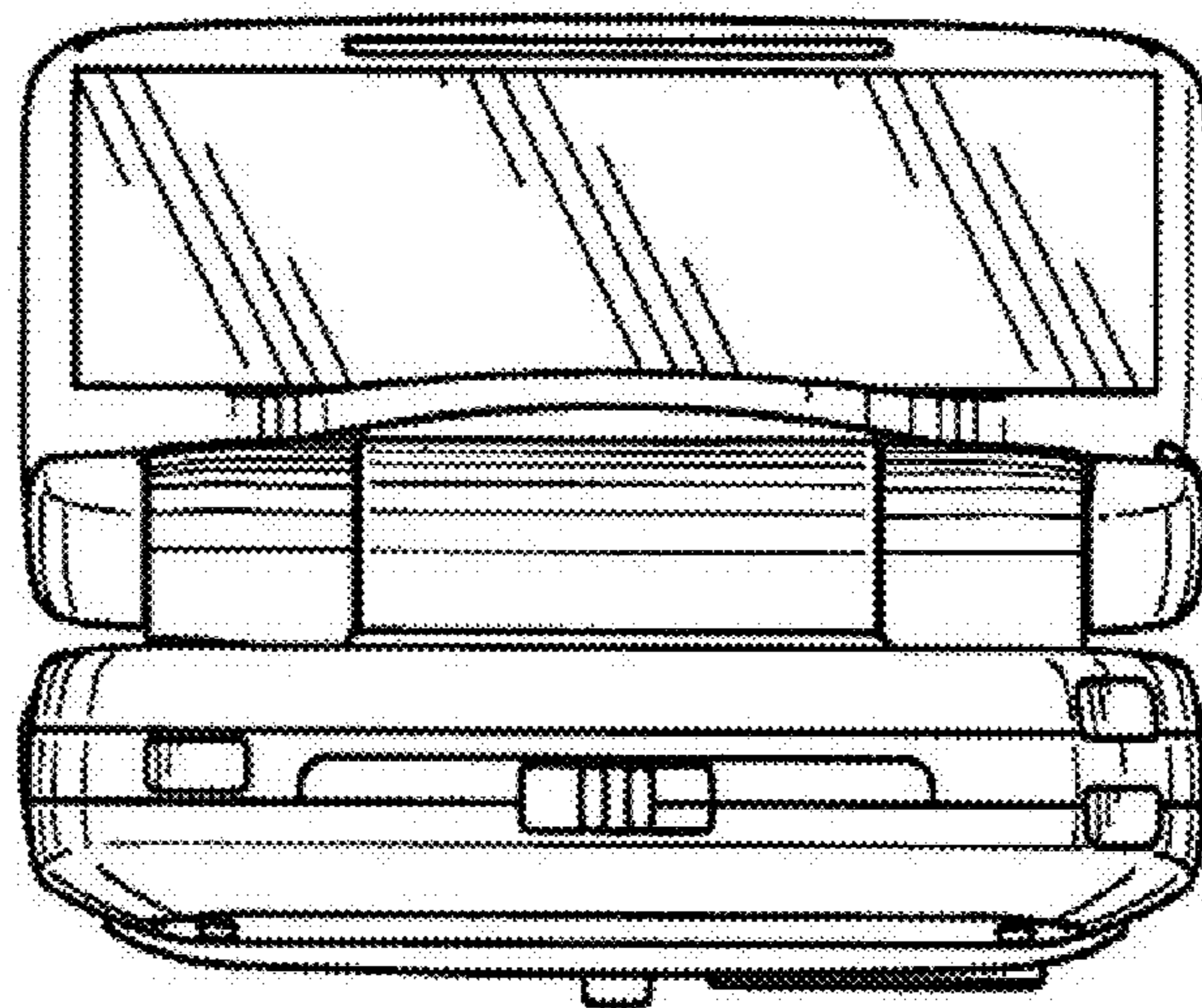


*FIG 14*





*FIG. 15*



*FIG. 16*

