



US00D587226S

(12) **United States Design Patent**
Funayama

(10) **Patent No.:** **US D587,226 S**
(45) **Date of Patent:** **** Feb. 24, 2009**

(54) **TELEVISION RECEIVER**
(75) Inventor: **Tatsufumi Funayama**, Tokyo (JP)
(73) Assignee: **Pioneer Corporation**, Tokyo (JP)
(**) Term: **14 Years**

JP	1169243	3/2003
JP	1202107	4/2004
JP	1202108	4/2004
JP	1220305	10/2004
JP	1308202	8/2007
JP	1321293	2/2008

(21) Appl. No.: **29/319,443**
(22) Filed: **Jun. 10, 2008**

OTHER PUBLICATIONS

Catalogue of the television receiver issued on 2001.
Brochure of the television receiver issued prior to the filing date of this application.
Catalogue of the television receiver issued on Aug. 2003.
Catalogue of the television receiver issued on Apr. 2006.

(30) **Foreign Application Priority Data**
Dec. 19, 2007 (JP) 2007-034862

* cited by examiner

(51) **LOC (9) Cl.** **14-03**
(52) **U.S. Cl.** **D14/126**
(58) **Field of Classification Search** D14/125-134,
D14/239, 371, 136, 374-377, 440, 450, 448,
D14/336, 342; 312/7.2; 348/836, 838, 180,
348/184, 325, 739; 341/12; 248/917-924,
248/465; 345/104, 133, 156, 168, 87, 173;
720/605, 669, 600, 655; 369/99, 197; D21/329,
D21/515, 577, 622, 333, 433, 448, 452, 450,
D21/331; D6/477, 479; 273/148 B; 446/484,
446/175, 356; D10/15, 26
See application file for complete search history.

Primary Examiner—Raphael Barkai
(74) *Attorney, Agent, or Firm*—Sughrue Mion, PLLC

(57) **CLAIM**

The ornamental design for a television receiver, as shown and described.

(56) **References Cited**

DESCRIPTION

U.S. PATENT DOCUMENTS

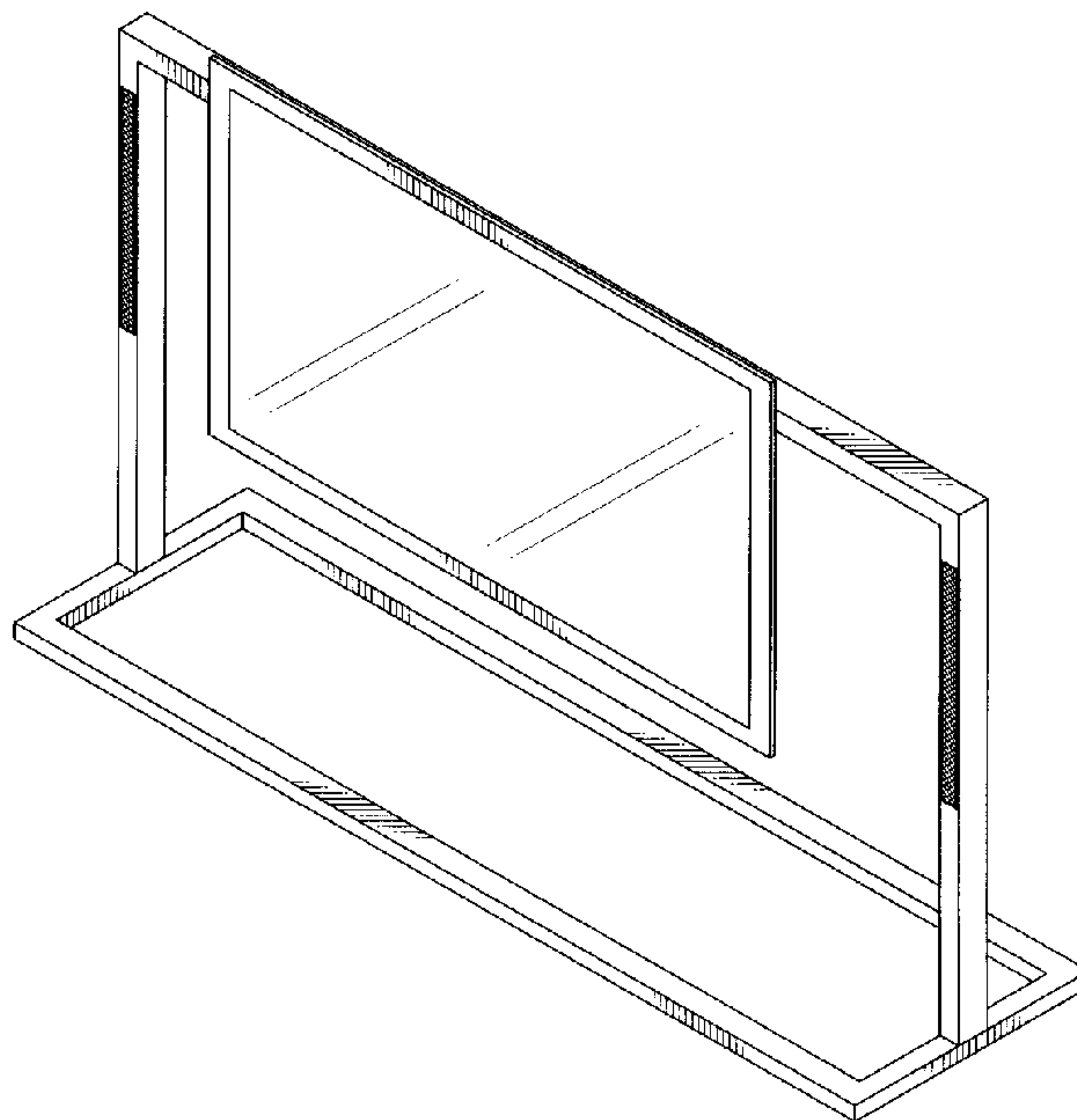
FIG. 1 is a front perspective view of a television receiver according to the present invention;
FIG. 2 is a front view thereof;
FIG. 3 is a rear view thereof;
FIG. 4 is a top view thereof;
FIG. 5 is a bottom view thereof; and,
FIG. 6 is a side view thereof, the opposite side being a mirror image of the view shown in FIG. 6.

D377,012 S * 12/1996 Oslund D14/128
D525,953 S * 8/2006 Anzures D14/126
D536,310 S * 2/2007 Kao D14/126
D556,756 S * 12/2007 Kataoka et al. D14/375

FOREIGN PATENT DOCUMENTS

JP 1123863 10/2001

1 Claim, 3 Drawing Sheets



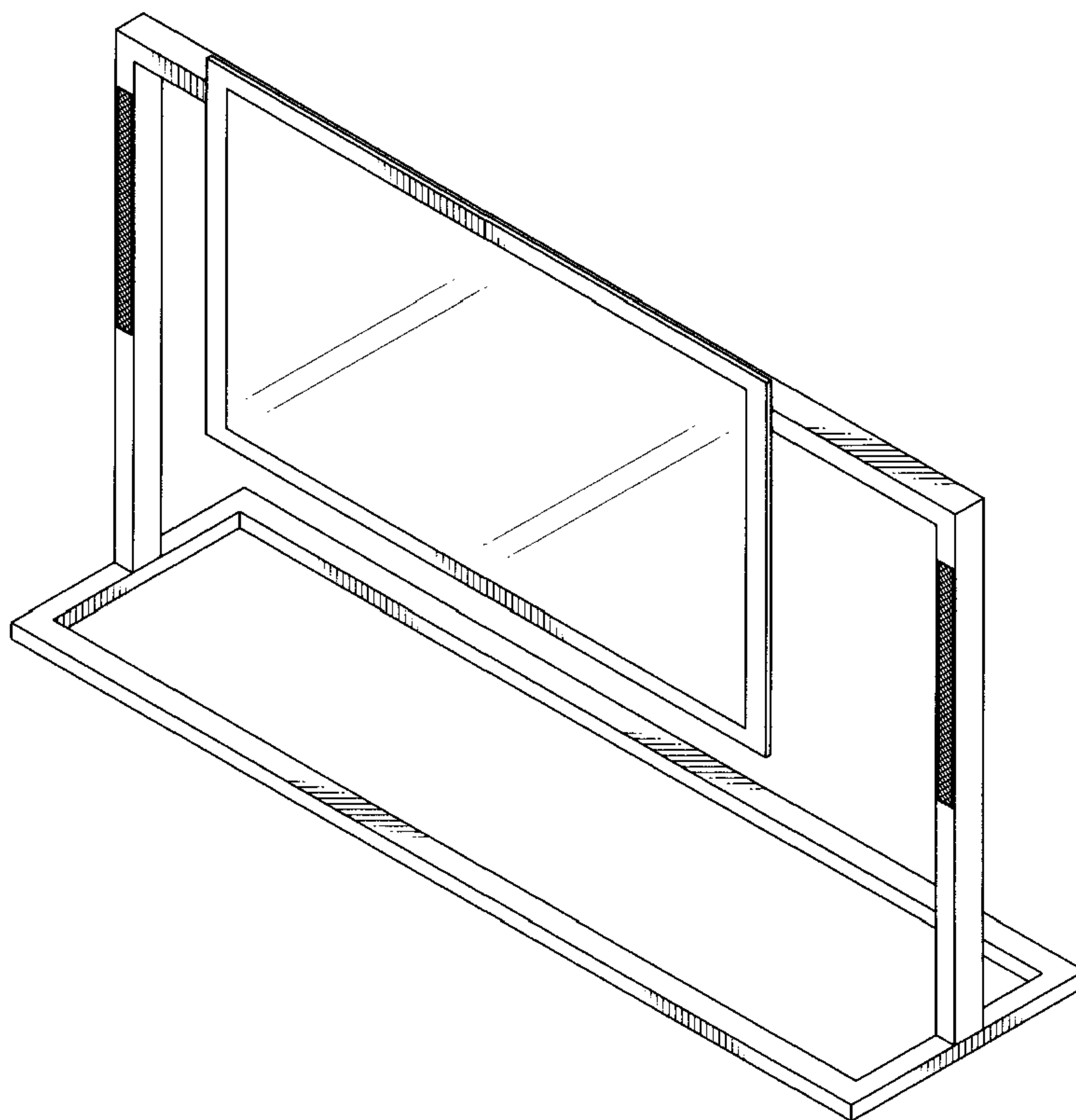


FIG. 1

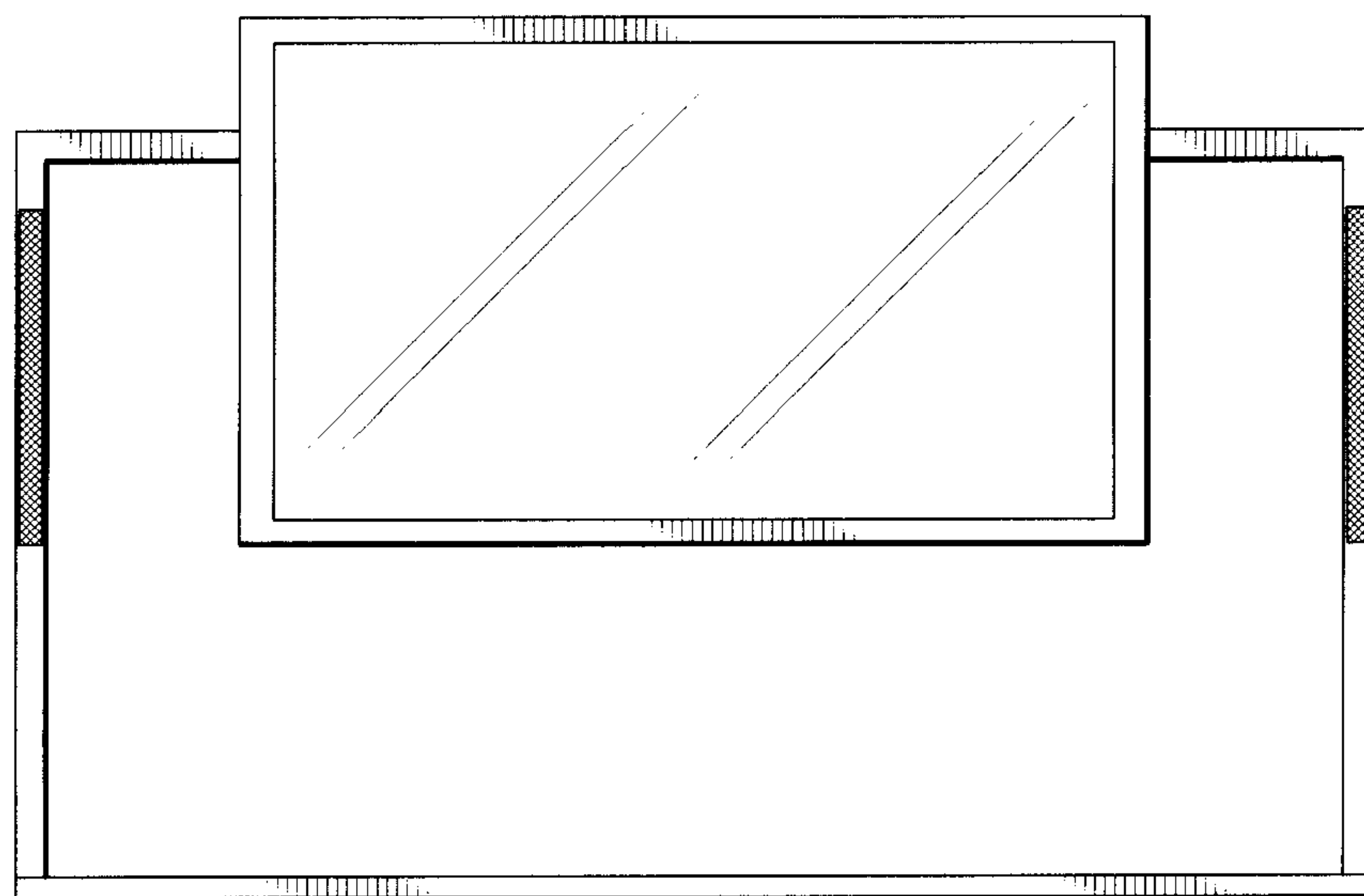


FIG. 2

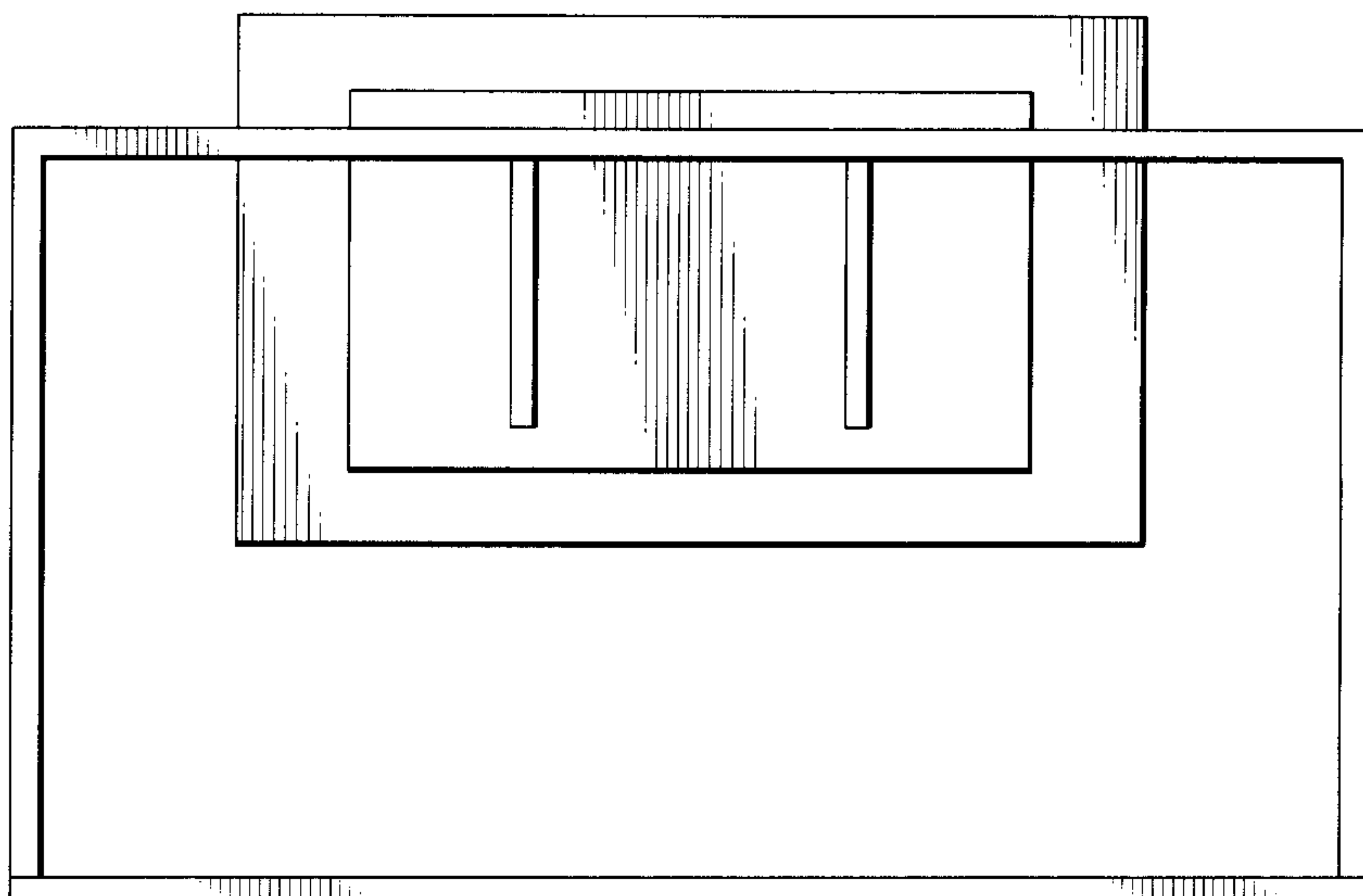


FIG. 3

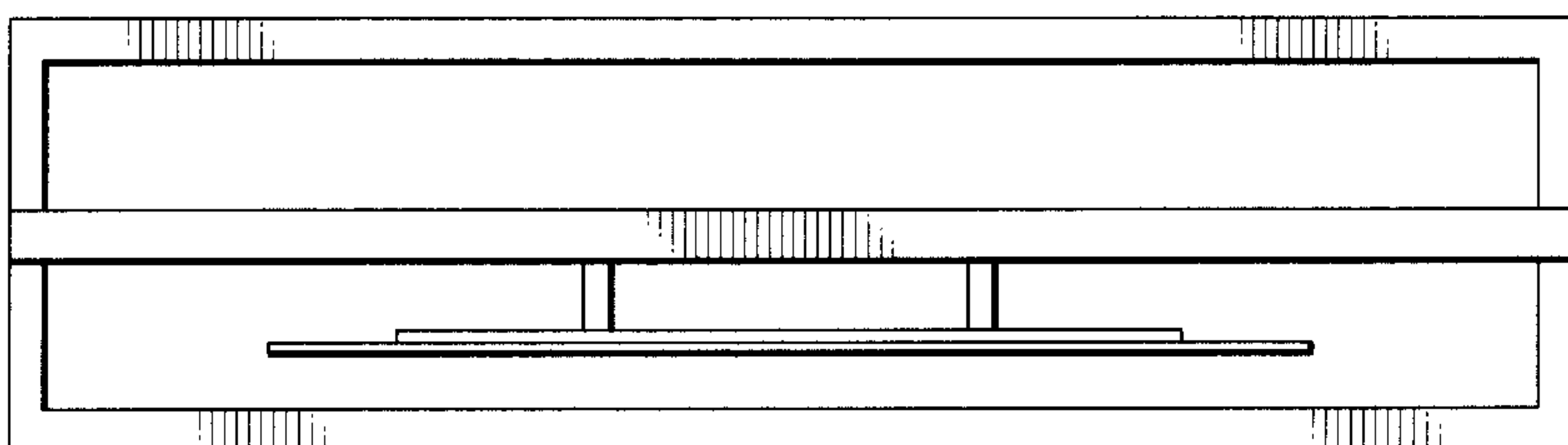


FIG. 4

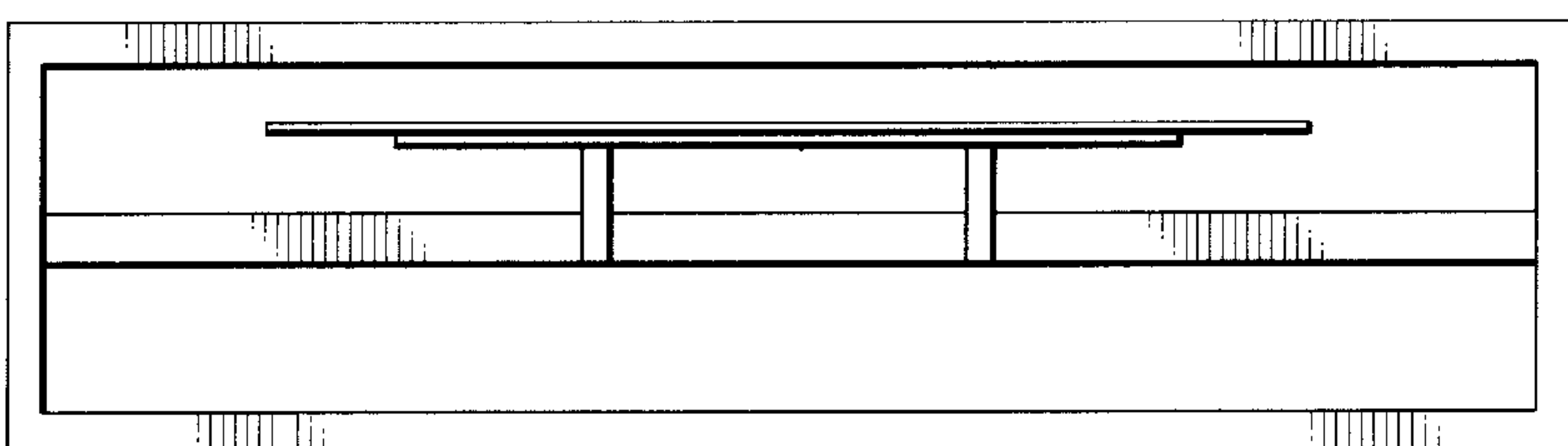


FIG. 5

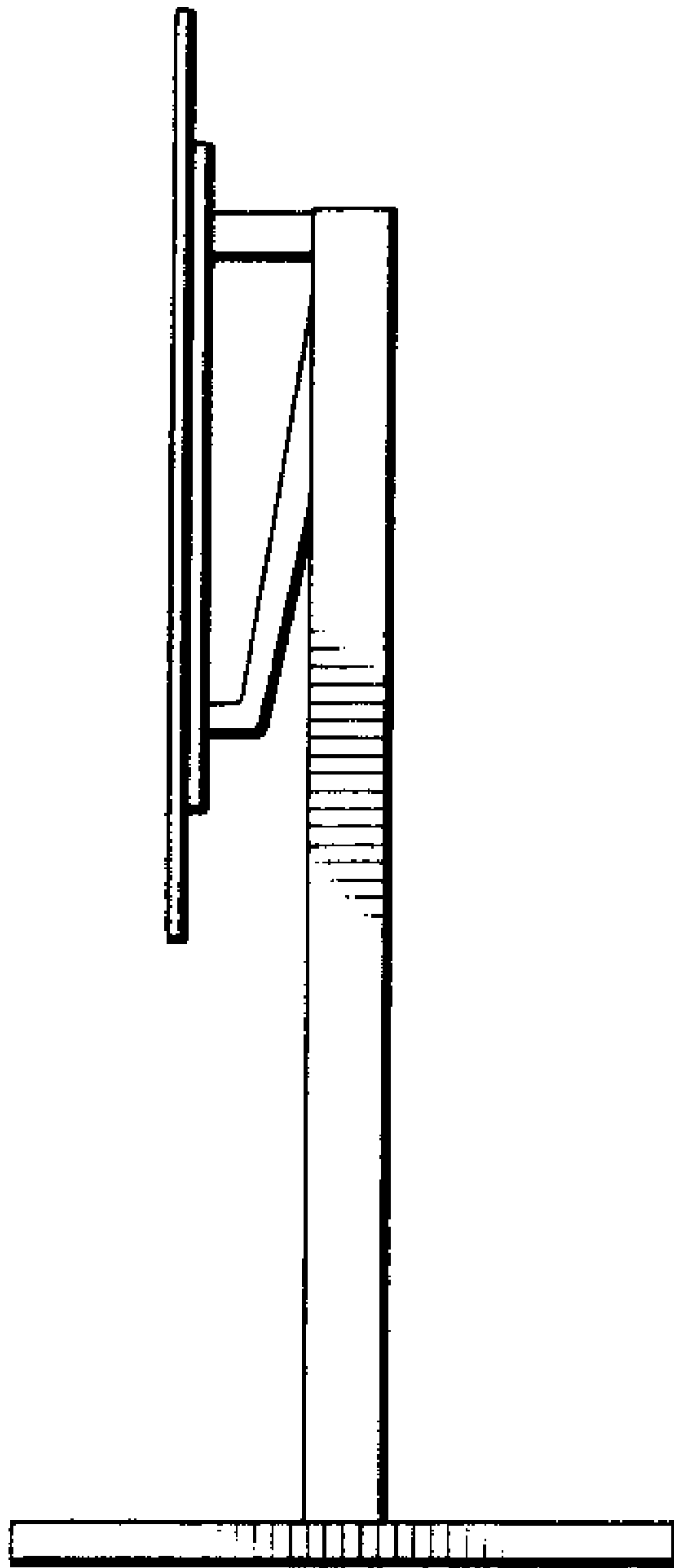


FIG. 6