



US00D587223S

(12) **United States Design Patent**
Chun et al.

(10) **Patent No.:** **US D587,223 S**
(45) **Date of Patent:** **** Feb. 24, 2009**

(54) **SET TOP BOX**

D571,754 S 6/2008 Cho et al.
D574,793 S 8/2008 Kim et al.

(75) Inventors: **Bum-Ho Chun**, Seoul (KR); **Dae-Joung Kim**, Seoul (KR)

(73) Assignee: **Samsung Electronics Co., Ltd.**, Suwon, Kyunggi-Do (KR)

(**) Term: **14 Years**

(21) Appl. No.: **29/308,616**

(22) Filed: **Jun. 26, 2008**

(51) **LOC (9) Cl.** **14-03**

(52) **U.S. Cl.** **D14/125**

(58) **Field of Classification Search** D14/125-134,
D14/239, 371, 136, 374-377; 312/7.2; 348/836,
348/838, 180, 184, 325, 739; 341/12; 248/917-924,
248/465, 123.11; 345/104, 133, 156, 168,
345/87, 173, 169; 349/1, 2, 11, 62; 720/605,
720/669, 600, 655, 99, 197; 455/344-347

See application file for complete search history.

(56) **References Cited**

U.S. PATENT DOCUMENTS

D363,477 S	*	10/1995	Tinsley et al.	D14/445
D422,993 S	*	4/2000	Storti et al.	D14/432
D470,465 S	*	2/2003	Lee	D14/125
D485,245 S	*	1/2004	Shiraki et al.	D14/506
D529,879 S		10/2006	Park et al.		
D533,157 S		12/2006	Park		
D541,811 S		5/2007	Park		
D544,455 S		6/2007	Park et al.		
D545,774 S		7/2007	Woo et al.		
D551,183 S		9/2007	Park et al.		
D560,176 S		1/2008	Woo		
D560,177 S		1/2008	Chun et al.		
D560,689 S		1/2008	Cho		
D567,193 S		4/2008	Kang et al.		

OTHER PUBLICATIONS

U.S. Appl. No. 29/210,034, Applicant: Dae-Joung Kim, et al., filed Jul. 23, 2008 entitled Set Top Box.

U.S. Appl. No. 29/310,033, Applicant: Dae-Joung Kim, et al., filed Jul. 23, 2008 entitled Set Top Box.

U.S. Appl. No. 29/310,071, Applicant: So-Yoon Jeon, filed Jul. 24, 2008 entitled Set Top Box.

U.S. Appl. No. 29/308,619, Applicant: Bum-Ho Chun, et al., filed Jun. 26, 2008 entitled Set Top Box.

U.S. Appl. No. 29/308,614, Applicant: Sang-Sung Woo, et al., filed Jun. 26, 2008 entitled Set Top Box.

U.S. Appl. No. 29/308,615, Applicant: Dae-Joung Kim, et al., filed Jun. 26, 2008.

* cited by examiner

Primary Examiner—Raphael Barkai

Assistant Examiner—Randall H Gholson

(74) *Attorney, Agent, or Firm*—Flynn, Thiel, Boutell & Tanis, P.C.

(57) **CLAIM**

The ornamental design for a set top box, as shown and described.

DESCRIPTION

FIG. 1 is a top front perspective view of a set top box showing our new design;

FIG. 2 is a front elevational view thereof;

FIG. 3 is a rear elevational view thereof;

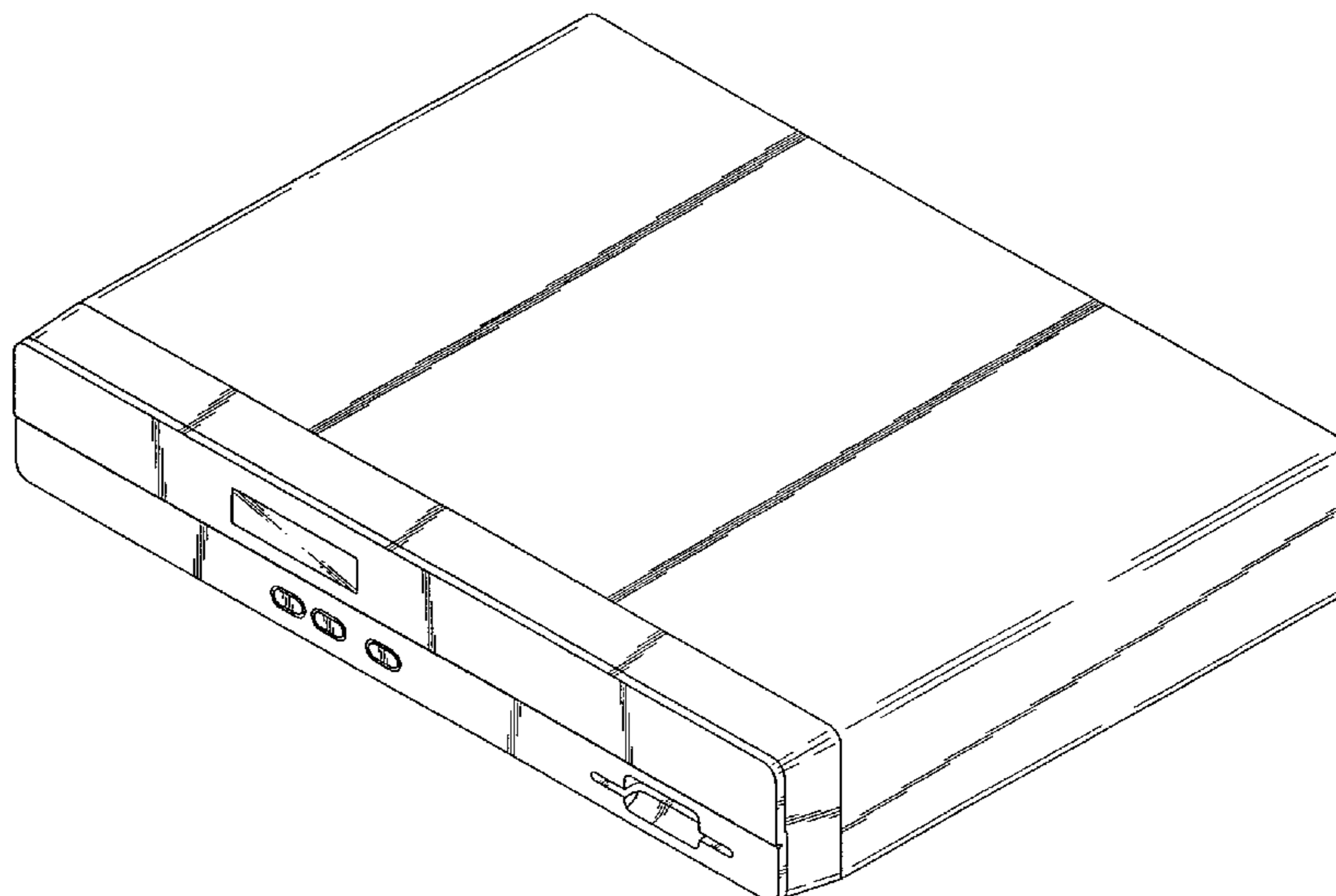
FIG. 4 is a left side elevational view thereof;

FIG. 5 is a right side elevational view thereof;

FIG. 6 is a top plan view thereof; and,

FIG. 7 is a bottom plan view thereof.

1 Claim, 5 Drawing Sheets



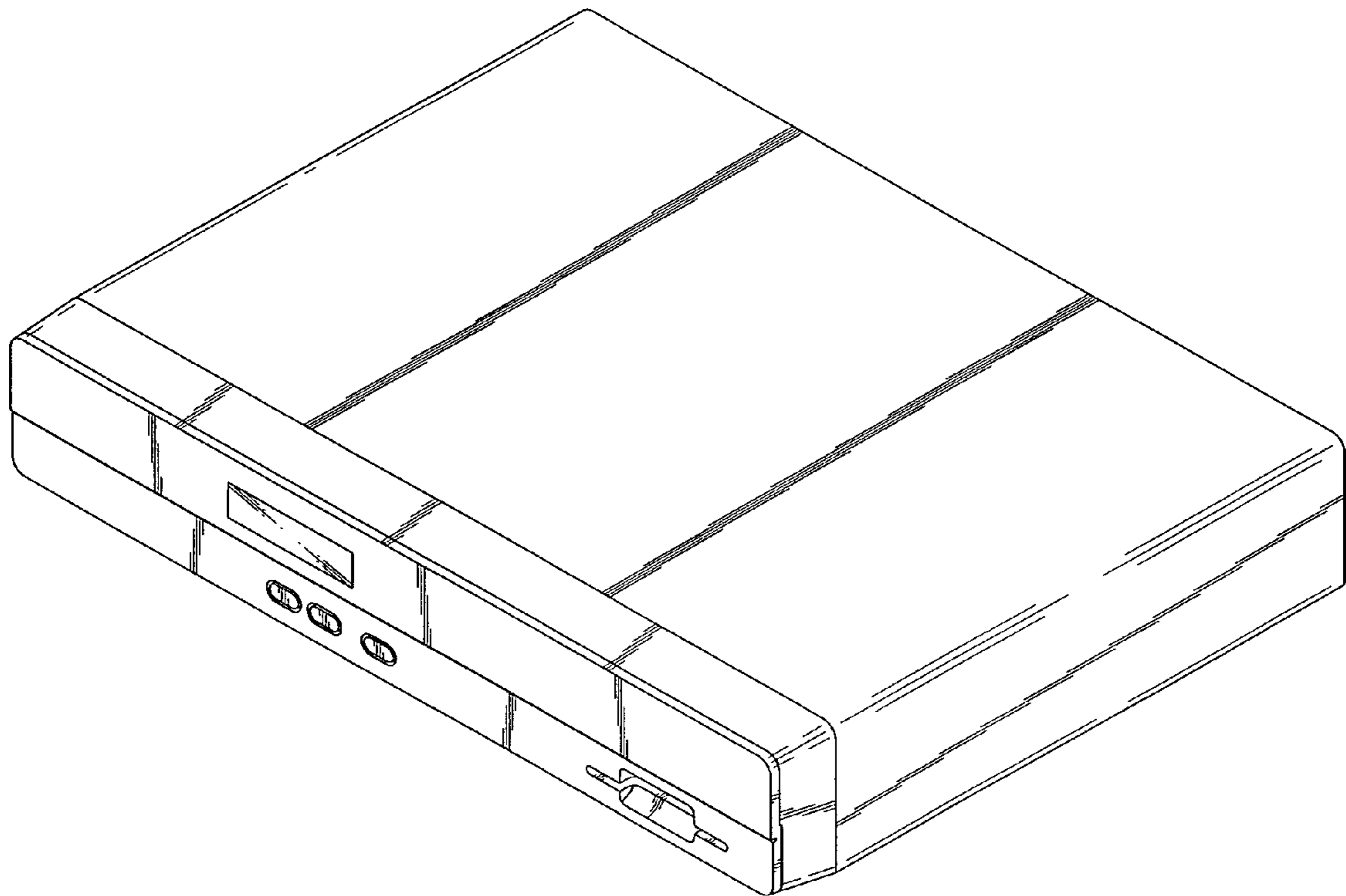


FIG. 1

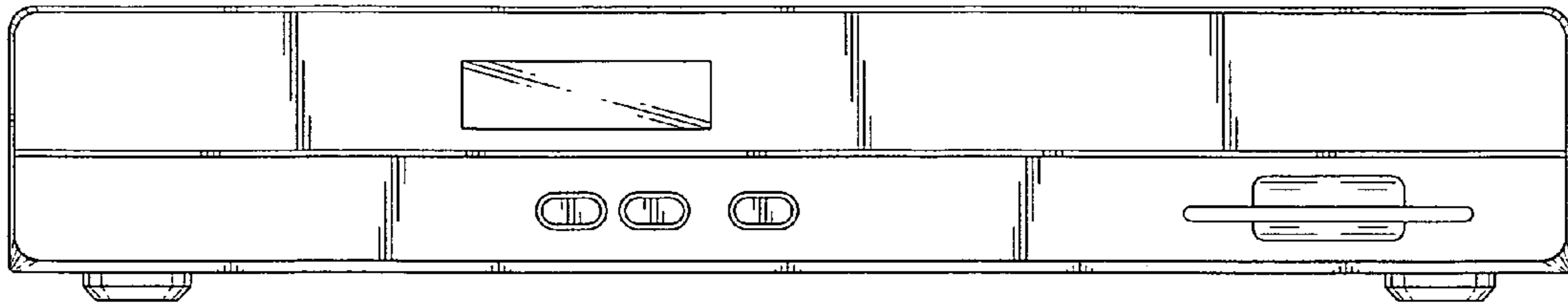


FIG. 2

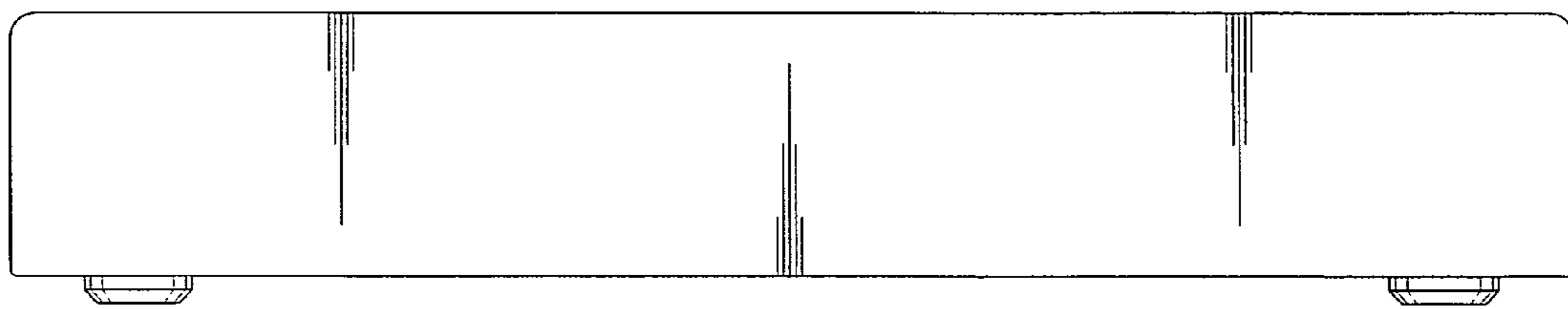


FIG. 3

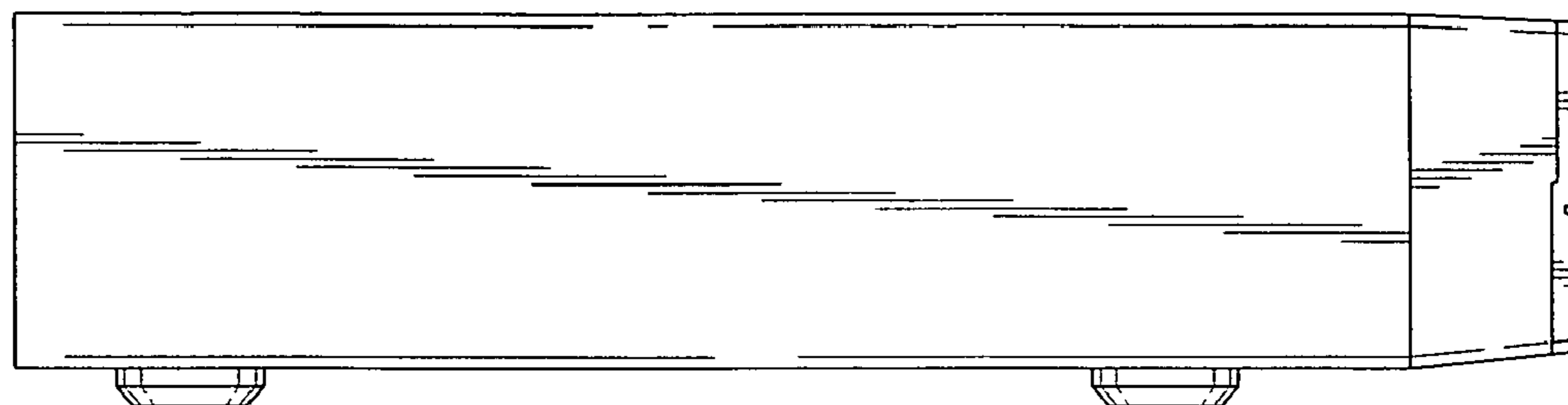


FIG. 4

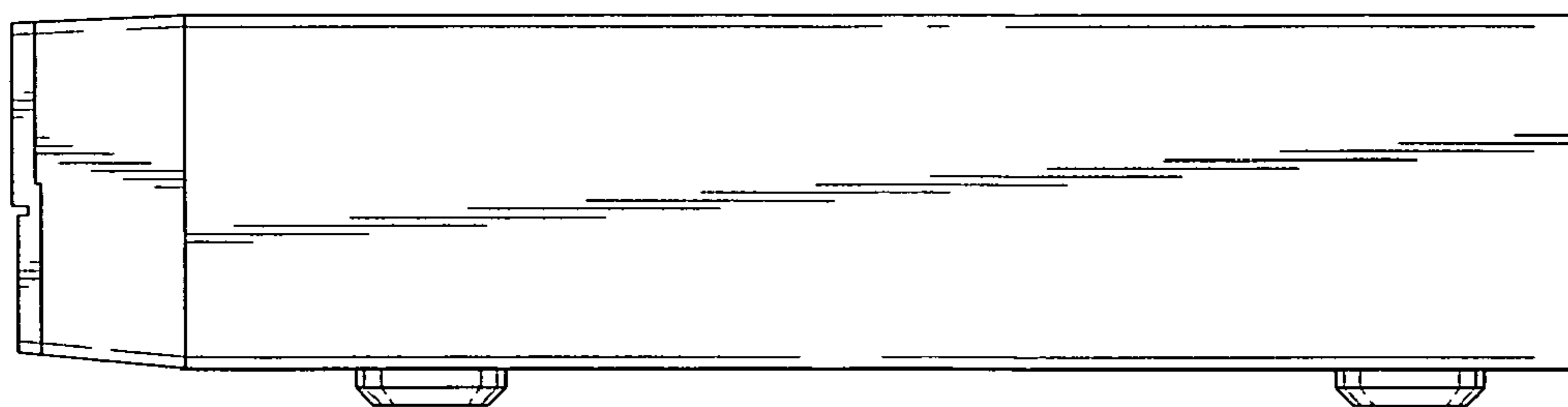


FIG. 5

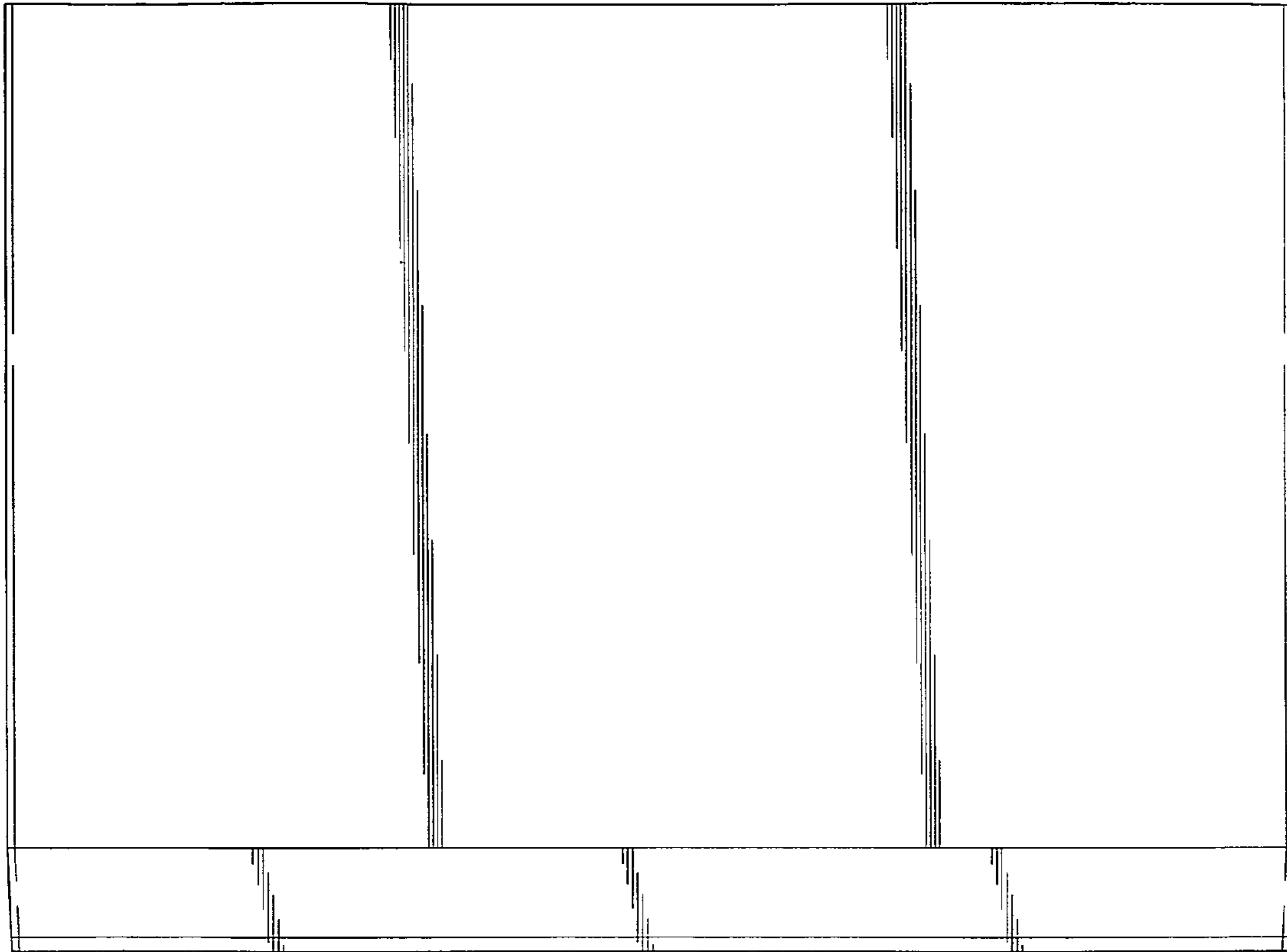


FIG. 6

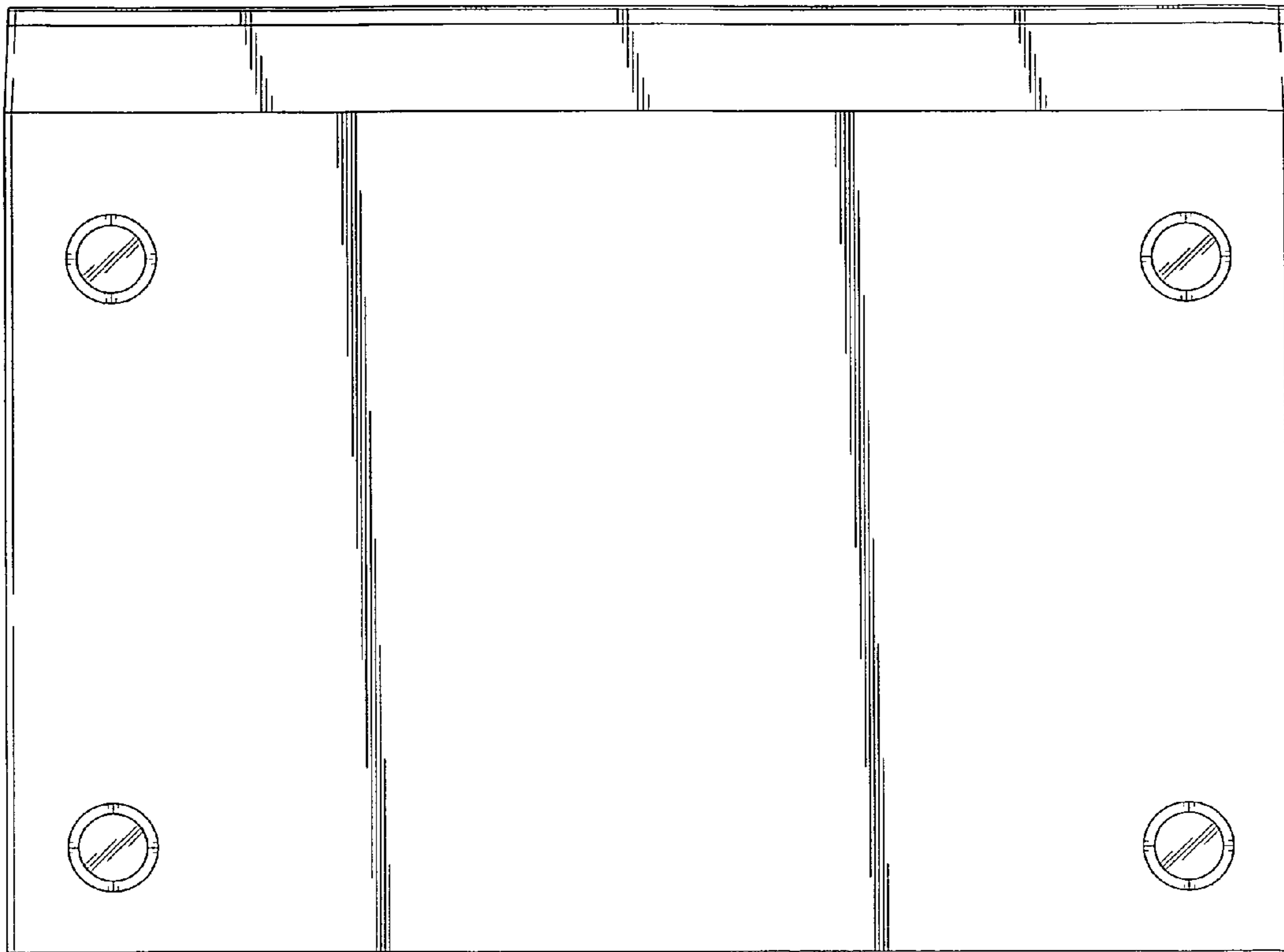


FIG. 7