



US00D587221S

(12) **United States Design Patent**
Tokuda

(10) **Patent No.:** **US D587,221 S**
(45) **Date of Patent:** **** Feb. 24, 2009**

(54) **LIGHT EMITTING DIODE**

2005/0067624 A1 3/2005 Steigerwald et al.
2005/0173723 A1 8/2005 Weng et al.
2005/0269589 A1 12/2005 Wu

(75) Inventor: **Keisuke Tokuda**, Tokushima (JP)

(73) Assignee: **Nichia Corporation**, Anan-shi (JP)

(**) Term: **14 Years**

(21) Appl. No.: **29/325,170**

(22) Filed: **Sep. 26, 2008**

Related U.S. Application Data

(62) Division of application No. 29/317,689, filed on May 5, 2008, now Pat. No. Des. 580,380, which is a division of application No. 29/271,695, filed on Jan. 25, 2007, now Pat. No. Des. 572,209.

Foreign Application Priority Data

(30)
Aug. 4, 2006 (JP) 2006-020773
Aug. 4, 2006 (JP) 2006-020774
Aug. 4, 2006 (JP) 2006-020775
Aug. 4, 2006 (JP) 2006-020776
Aug. 4, 2006 (JP) 2006-020777
Aug. 4, 2006 (JP) 2006-020778

(51) **LOC (9) Cl.** **13-03**

(52) **U.S. Cl.** **D13/180**

(58) **Field of Classification Search** D13/180;
D26/2; 257/79, 80, 81, 88, 89, 95, 98, 99,
257/100; 313/483, 498, 500; 362/555, 800
See application file for complete search history.

(56) **References Cited**

U.S. PATENT DOCUMENTS

D432,095 S 10/2000 Seeger et al.
6,386,733 B1 5/2002 Ohkohdo et al.
6,495,860 B1 12/2002 Yu
6,501,103 B1 12/2002 Jory et al.
D477,580 S 7/2003 Kamada
D488,137 S 4/2004 Kamada
D572,209 S * 7/2008 Tokuda D13/180
D580,380 S * 11/2008 Tokuda D13/180

OTHER PUBLICATIONS

High Luminous Flux LED, Product Guide (NSPBR70AS / NSPGR70AS); Sep. 2005; p. 1 (total 3 pages); Catalog No. 050907; Nichia Corporation; Japan.

* cited by examiner

Primary Examiner—Selina Sikder

(74) *Attorney, Agent, or Firm*—Global IP Counselors, LLP

(57) **CLAIM**

The ornamental design for a light emitting diode, as shown and described.

DESCRIPTION

FIG. 1 is a front top side perspective view of a light emitting diode in accordance with my new design;

FIG. 2 is a front elevational view of the light emitting diode in accordance with my new design;

FIG. 3 is a rear elevational view of the light emitting diode in accordance with my new design;

FIG. 4 is a right side end elevational view of the light emitting diode in accordance with my new design;

FIG. 5 is a left side end elevational view of the light emitting diode in accordance with my new design;

FIG. 6 is a top plan view of the light emitting diode in accordance with my new design;

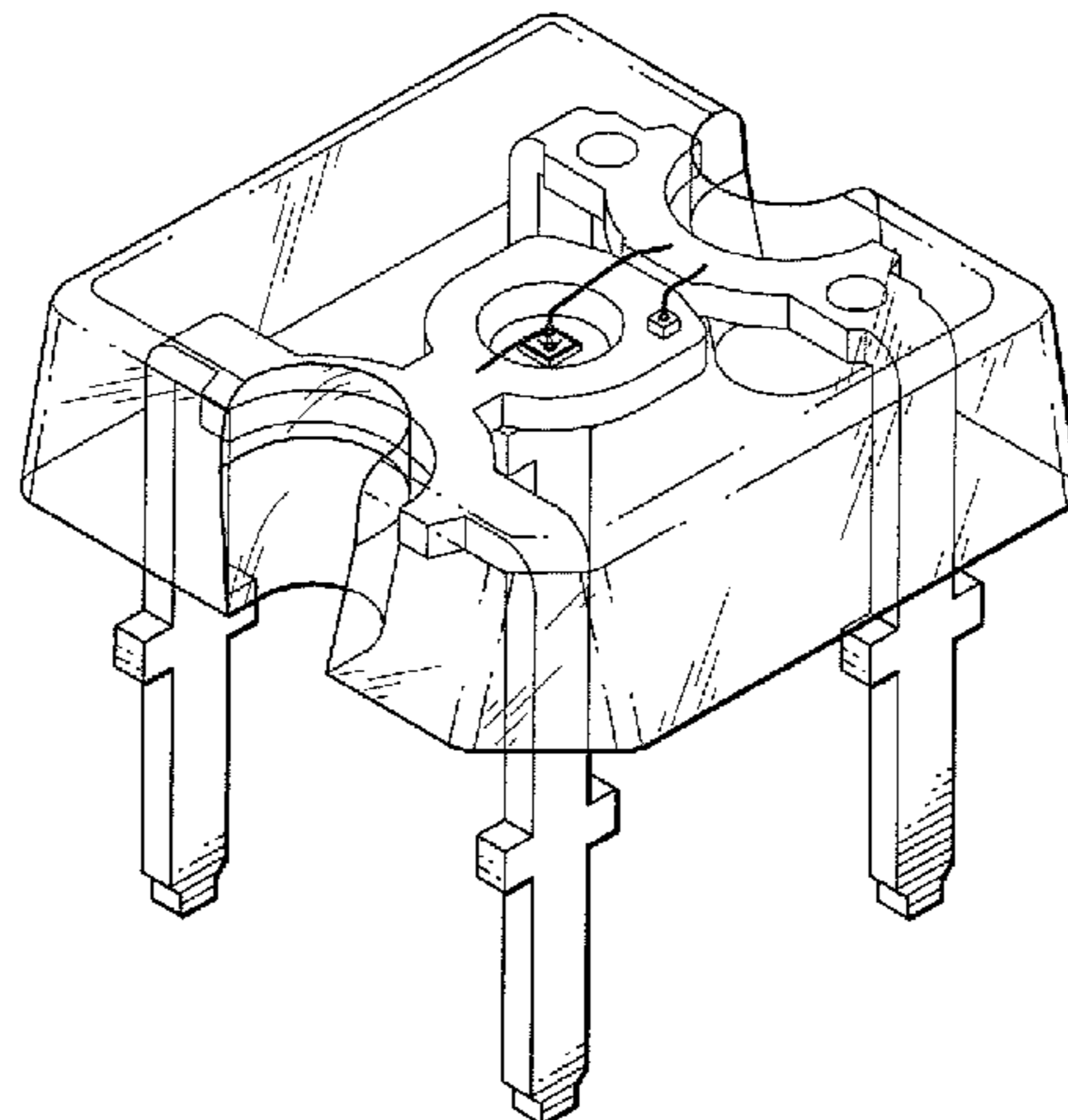
FIG. 7 is a bottom plan view of the light emitting diode in accordance with my new design; and,

FIG. 8 is a vertical center cross sectional view of the light emitting diode in accordance with my new design taken along a left to right direction thereof.

The opaque line shading illustrates a translucent portion of the light emitting diode.

The cross sectional view illustrated in FIG. 8 is presented solely for the purpose of clarifying the shape of exterior surface of the claimed design.

1 Claim, 5 Drawing Sheets



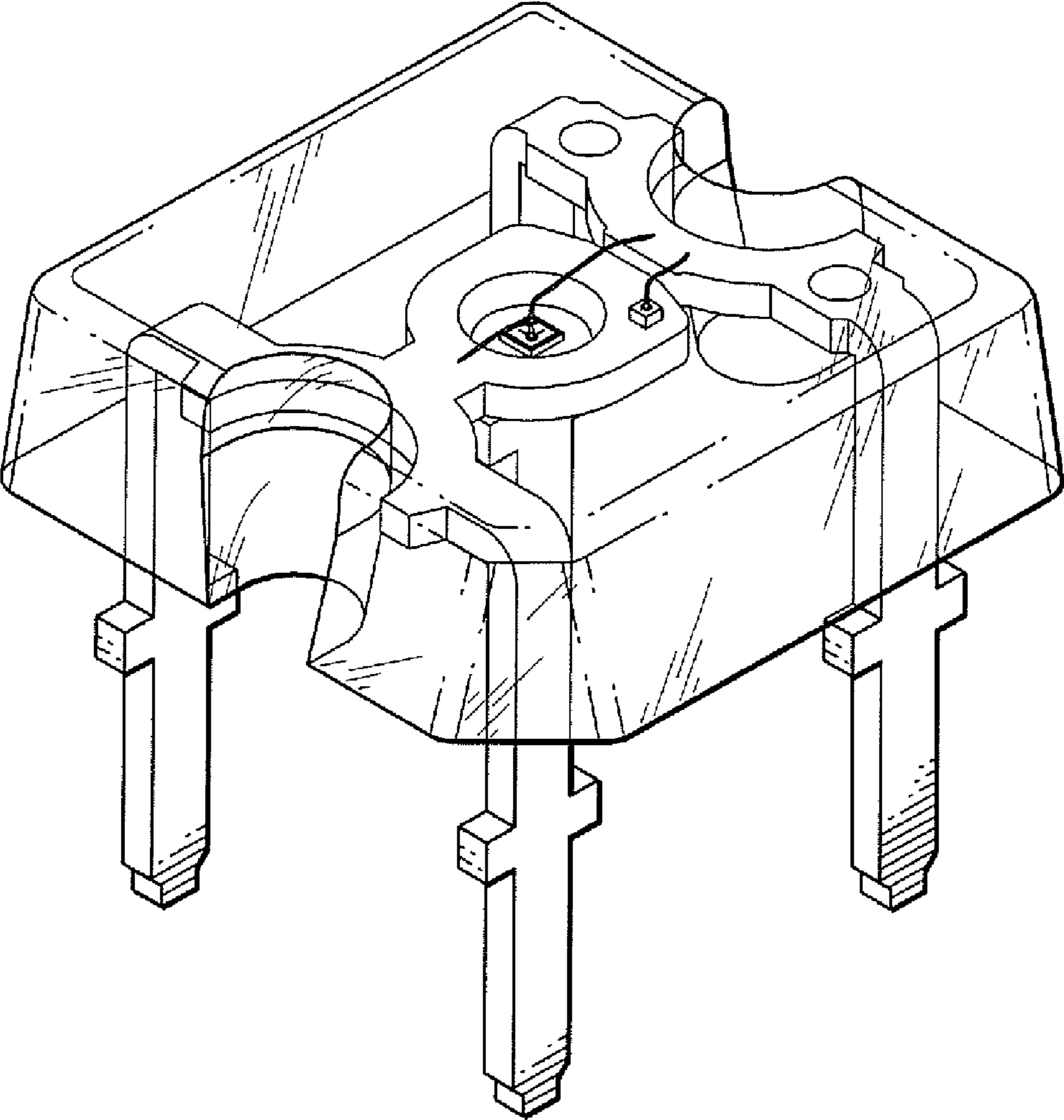


FIG. 1

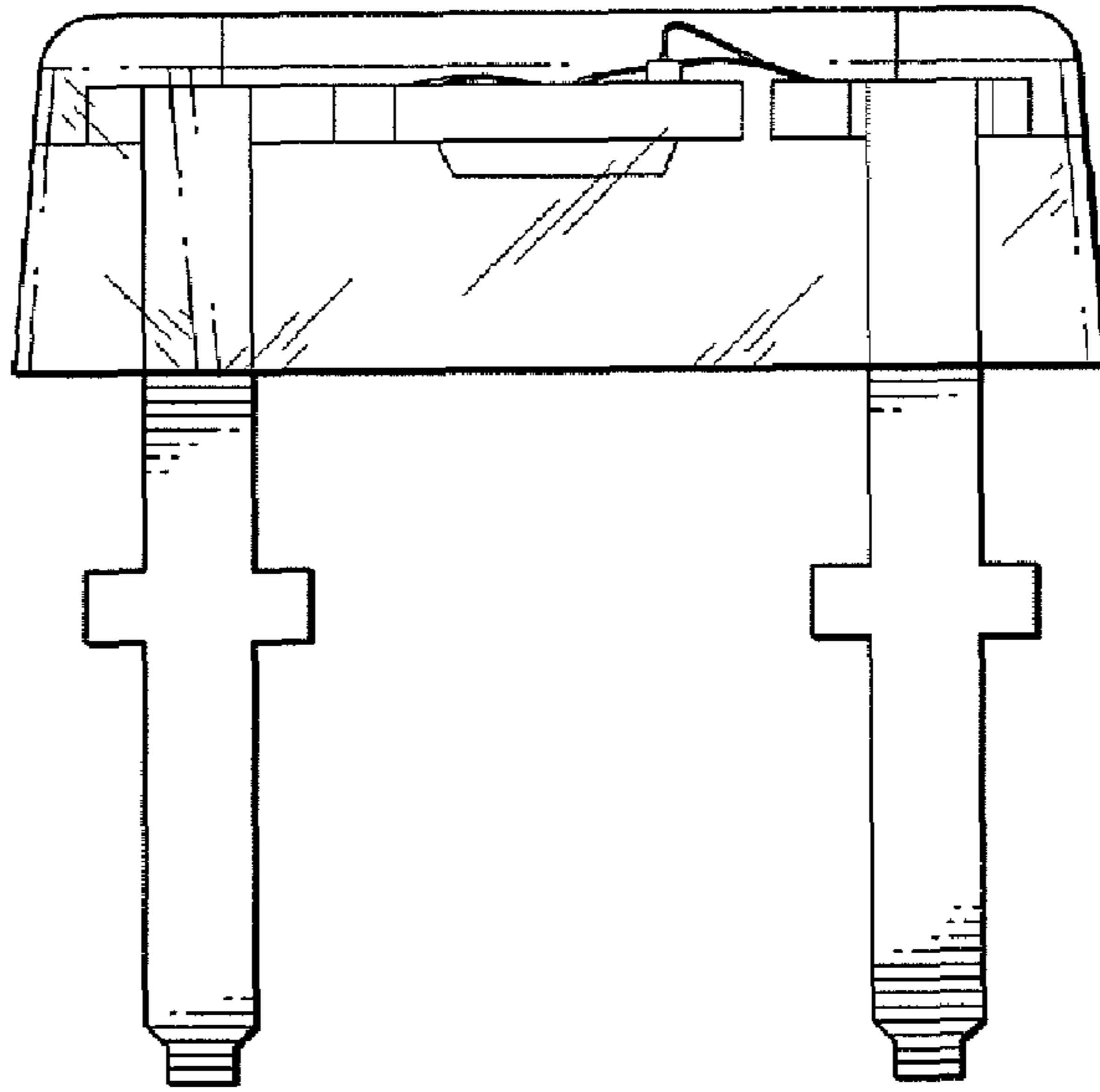


FIG. 2

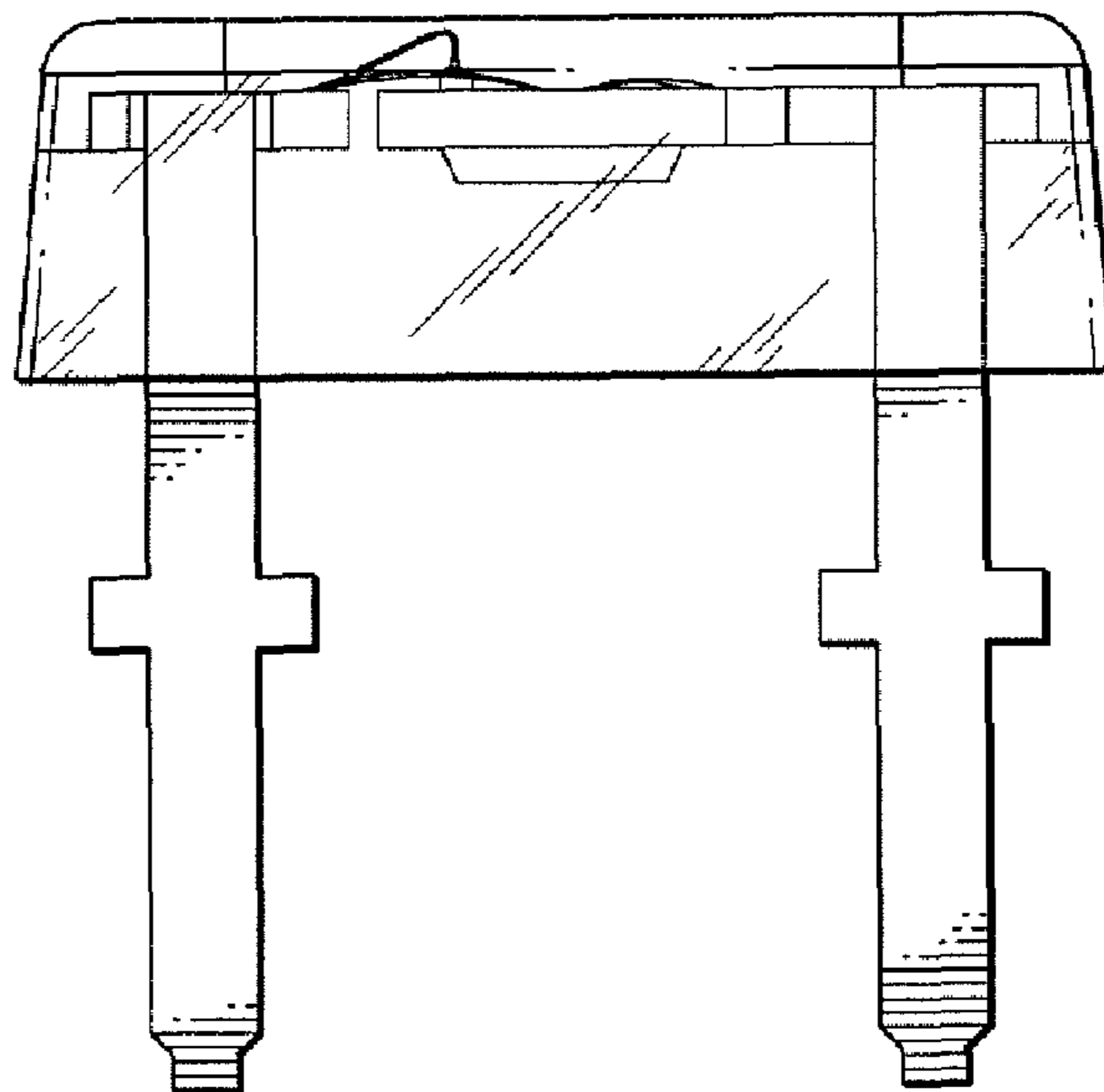


FIG. 3

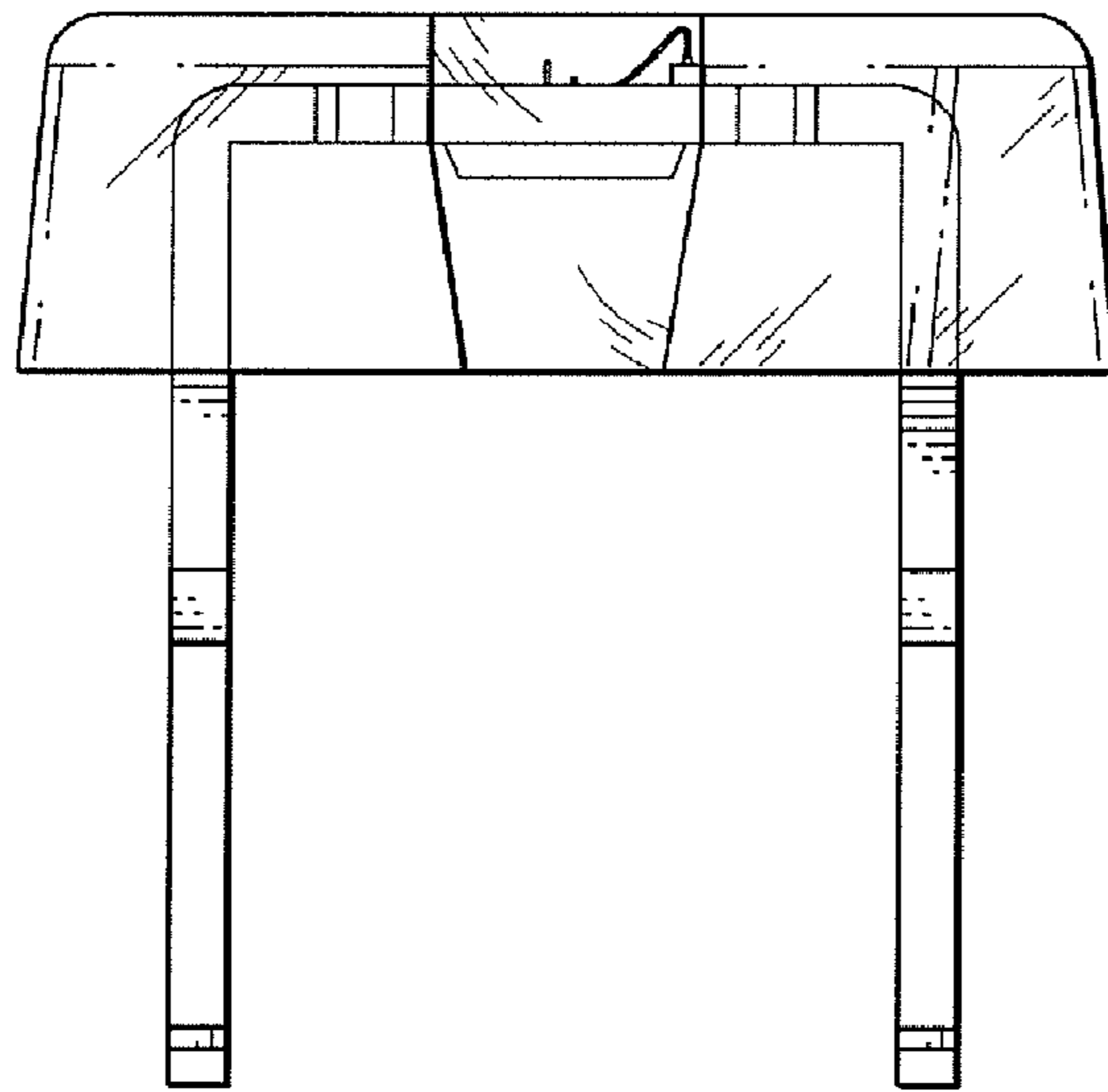


FIG. 4

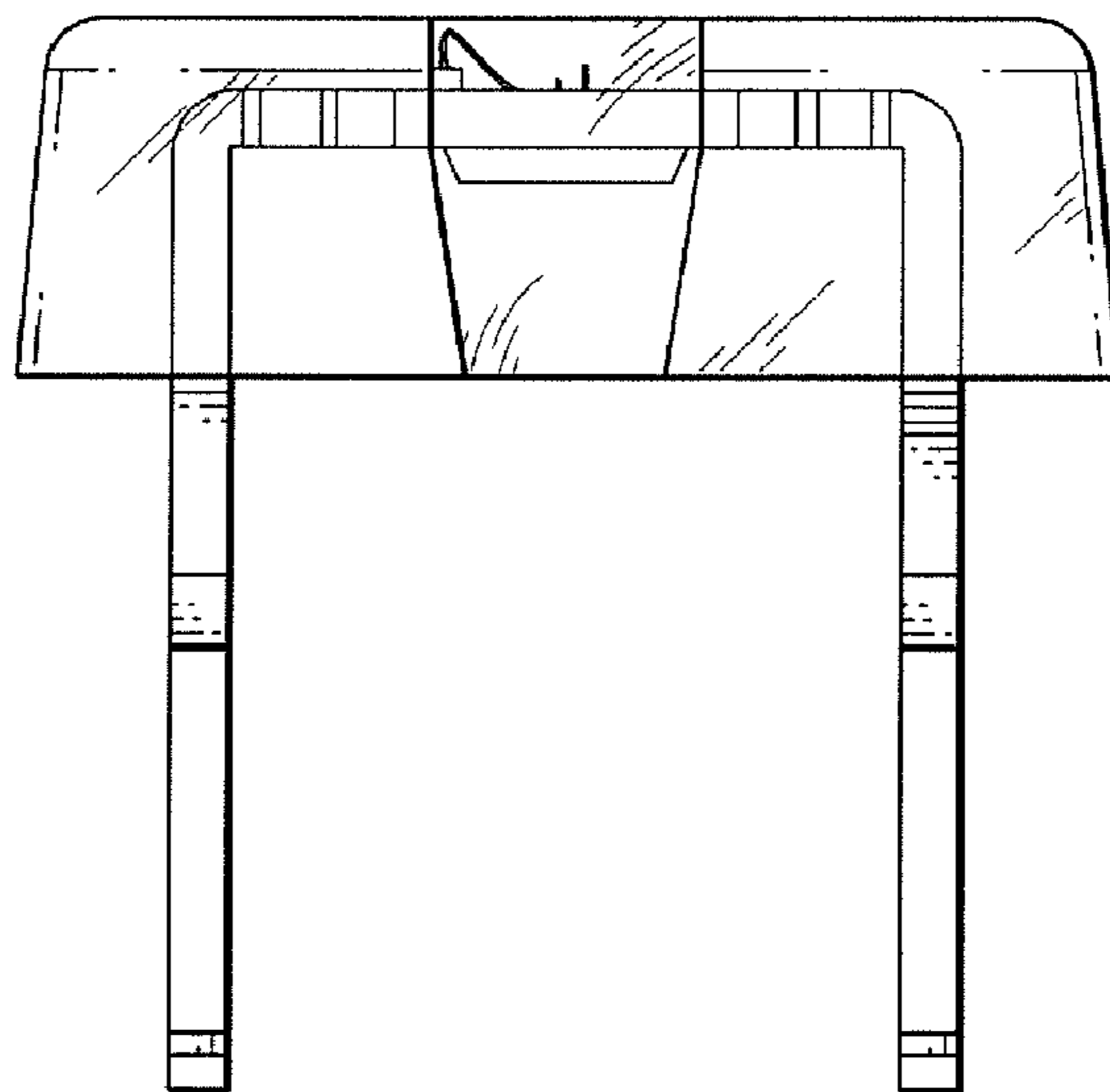


FIG. 5

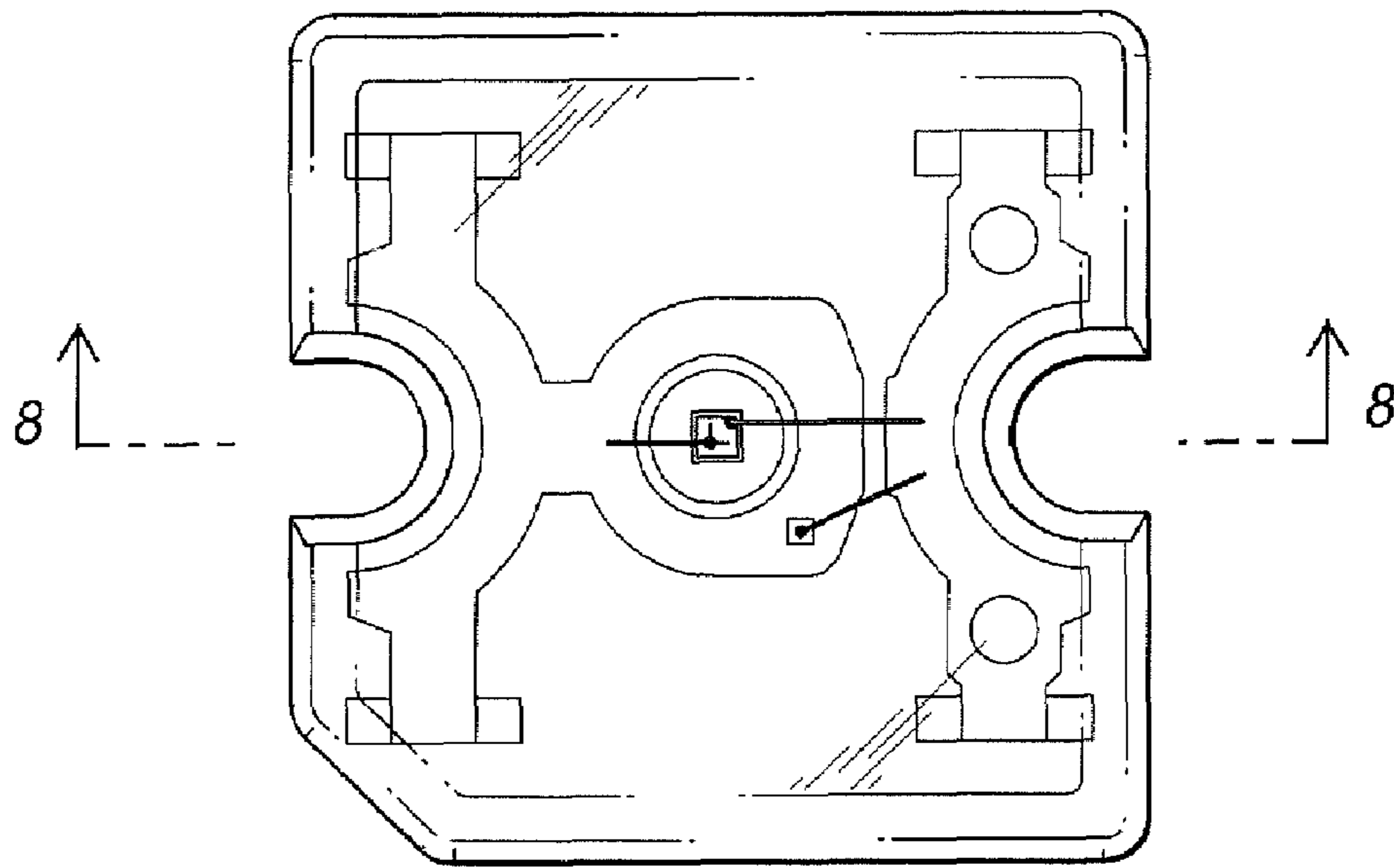


FIG. 6

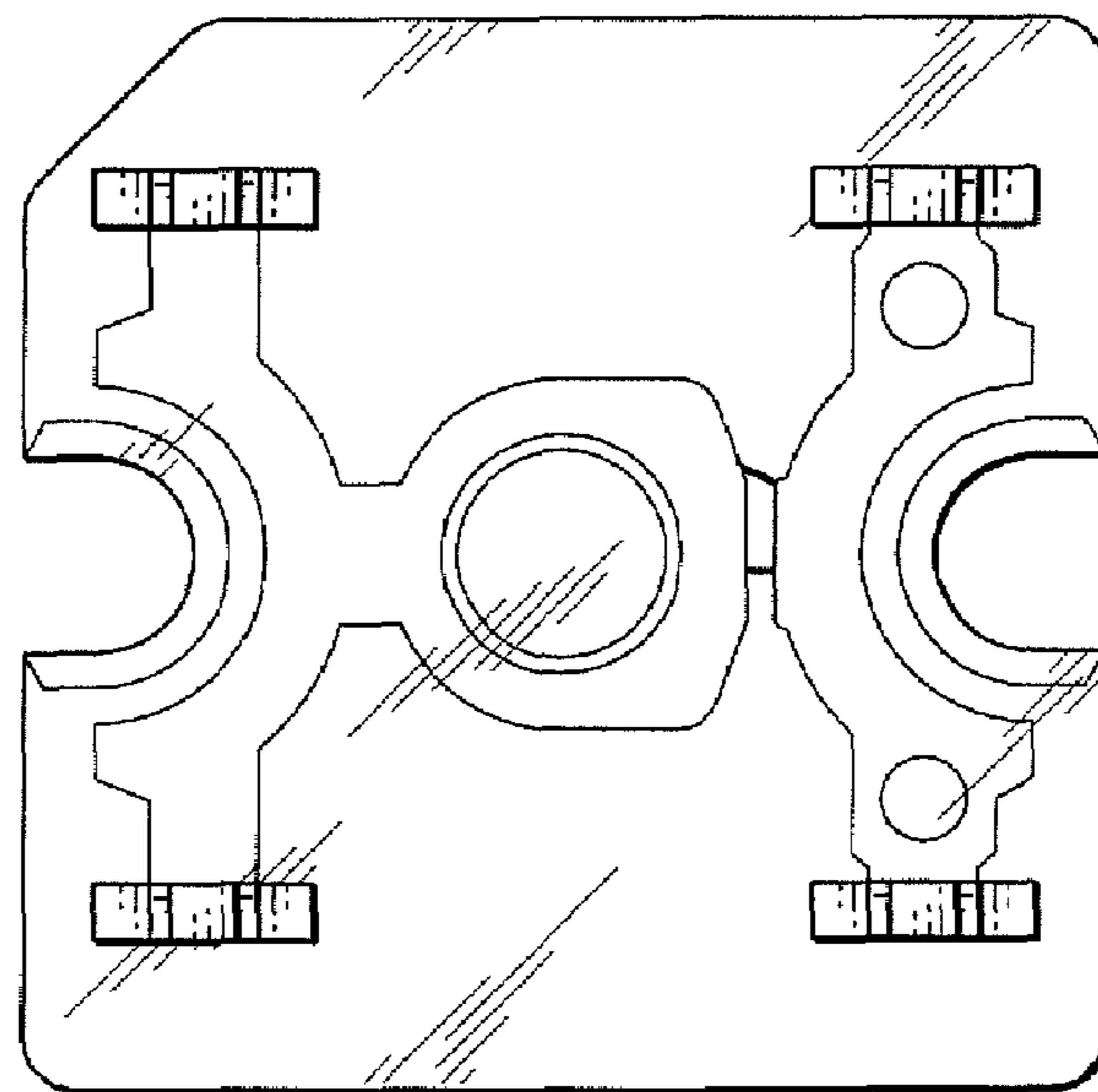


FIG. 7

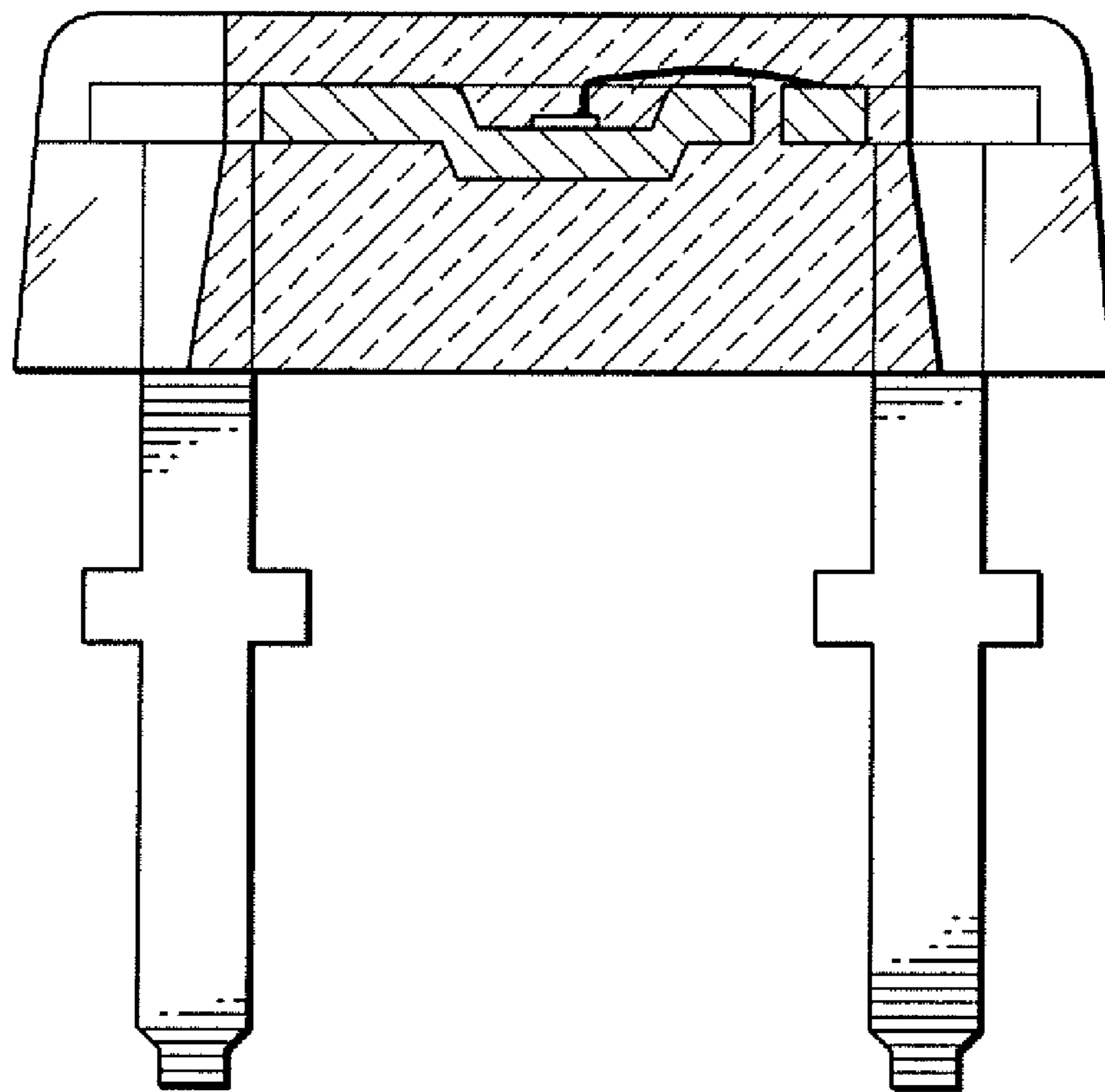


FIG. 8