



US00D587218S

(12) **United States Design Patent**
Imai et al.

(10) **Patent No.:** **US D587,218 S**
(45) **Date of Patent:** **** Feb. 24, 2009**

(54) **LIGHT-EMITTING DIODE FOR ILLUMINATING AN OBJECT**

(75) Inventors: **Sadato Imai**, Hachiouji (JP); **Masayoshi Kanamori**, Kunitachi (JP)

(73) Assignee: **Citizen Electronics Co., Ltd.**, Yamanashi (JP)

(**) Term: **14 Years**

(21) Appl. No.: **29/322,835**

(22) Filed: **Aug. 13, 2008**

Related U.S. Application Data

(62) Division of application No. 29/244,504, filed on Dec. 12, 2005, now Pat. No. Des. 575,243.

(30) **Foreign Application Priority Data**

Jun. 13, 2005 (JP) 2005-17000
Jun. 13, 2005 (JP) 2005-17002

(51) **LOC (9) Cl.** **13-03**

(52) **U.S. Cl.** **D13/180**

(58) **Field of Classification Search** D13/180;
D26/2; 257/79, 80, 81, 88, 89, 95, 98, 99,
257/100; 313/483, 498, 500; 362/219, 249,
362/555, 800

See application file for complete search history.

(56) **References Cited**

U.S. PATENT DOCUMENTS

5,103,382	A	4/1992	Kondo et al.	
6,031,958	A	2/2000	McGaffigan	
6,056,420	A	5/2000	Wilson et al.	
6,882,111	B2	4/2005	Kan et al.	
7,044,620	B2	5/2006	Van Duyn	
D531,139	S	10/2006	Egawa et al.	
7,165,863	B1	1/2007	Thomas et al.	
D575,243	S *	8/2008	Imai et al.	D13/180
2003/0193803	A1	10/2003	Lin	
2003/0214810	A1	11/2003	Zhang	
2004/0017688	A1	1/2004	Liu	
2004/0223328	A1	11/2004	Lee et al.	

2005/0094394 A1 5/2005 Padiyath et al.

* cited by examiner

Primary Examiner—Selina Sikder

(74) *Attorney, Agent, or Firm*—Browdy and Neimark, P.L.L.C.

(57) **CLAIM**

The ornamental design for a light-emitting diode for illuminating an object, as shown and described.

DESCRIPTION

FIG. 1 is a perspective view of a first embodiment of a light-emitting diode for illuminating an object in accordance with the present design;

FIG. 2 is a top plan view thereof;

FIG. 3 is a bottom plan view thereof;

FIG. 4 is an end view thereof at one end;

FIG. 5 is an end view thereof at the other end;

FIG. 6 is a side view of one side thereof;

FIG. 7 is a side view of the other side thereof;

FIG. 8 is a perspective view of an array of a plurality of the diodes of FIGS. 1–7 mounted on the cylindrical surface of a circularly cylindrical substrate;

FIG. 9 is a perspective view of a second embodiment of a light-emitting diode for illuminating an object in accordance with the present design;

FIG. 10 is a top plan view thereof;

FIG. 11 is a bottom plan view thereof;

FIG. 12 is an end view of one end thereof;

FIG. 13 is an end view of the other end thereof;

FIG. 14 is a side view of one side thereof;

FIG. 15 is a side view of the other side thereof; and,

FIG. 16 is a perspective view of an array of a plurality of the diodes of FIGS. 9–15 mounted on the cylindrical surface of a circularly cylindrical substrate.

The broken line showing of the environment in FIGS. 8 and 16 views are for illustrative purposes only and no part of the claimed design.

1 Claim, 6 Drawing Sheets

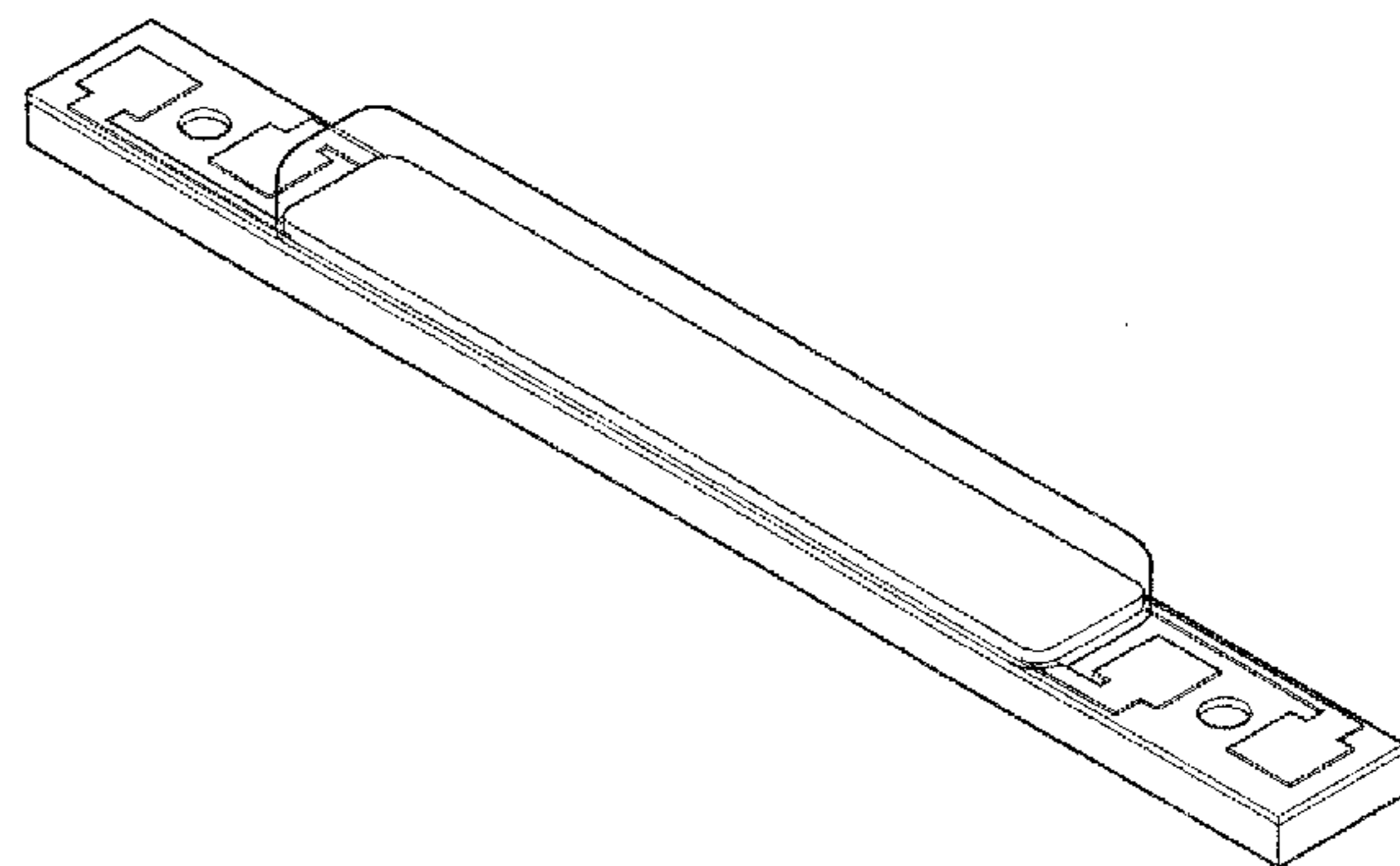
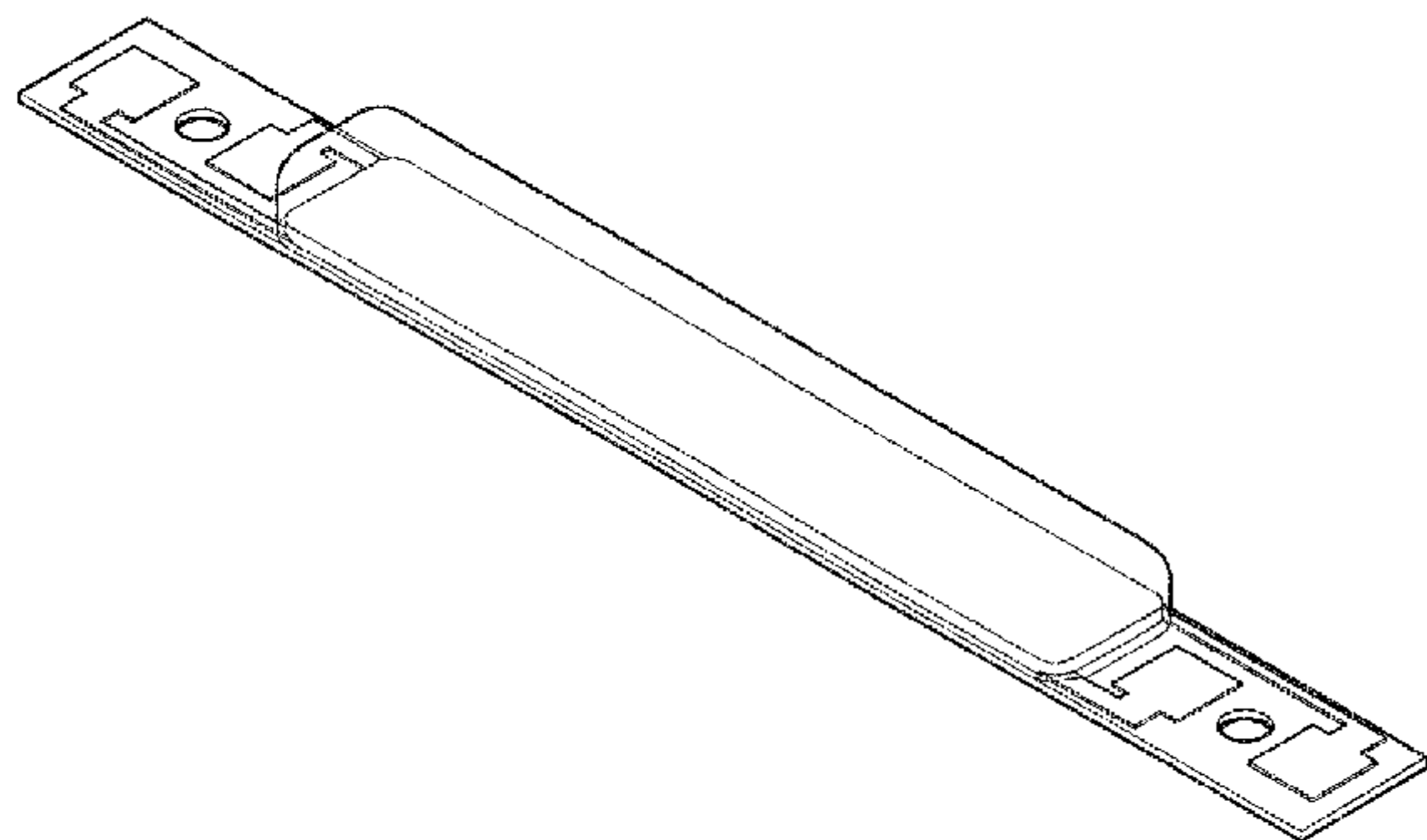


Fig. 1

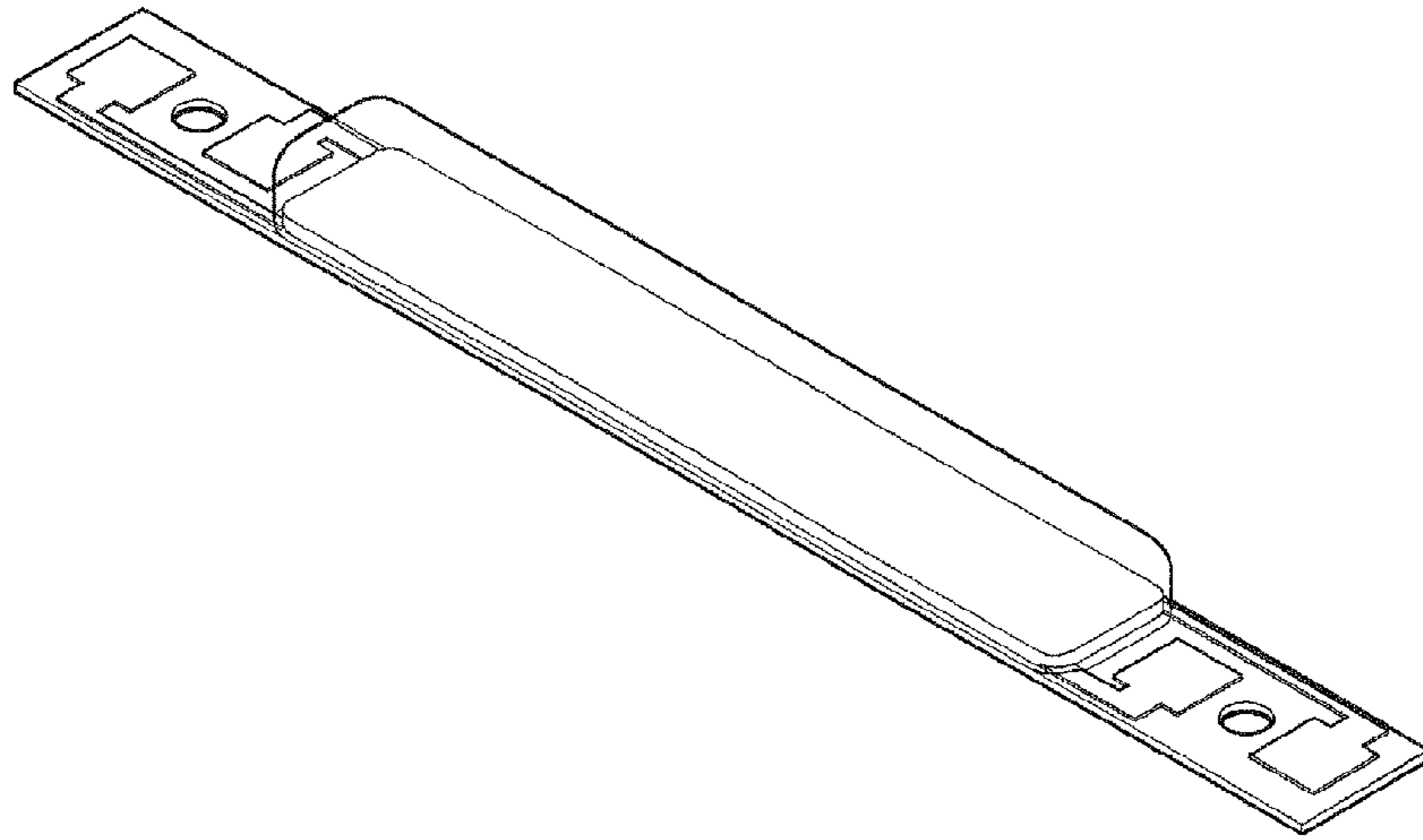


Fig. 2

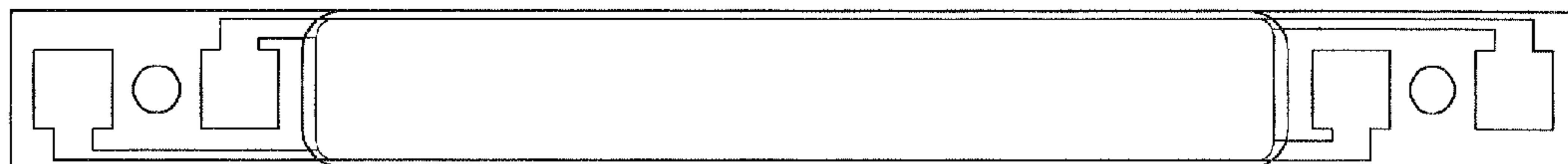


Fig. 3



Fig. 4



Fig. 5

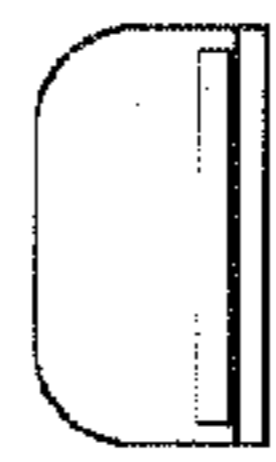


Fig. 6



Fig. 7

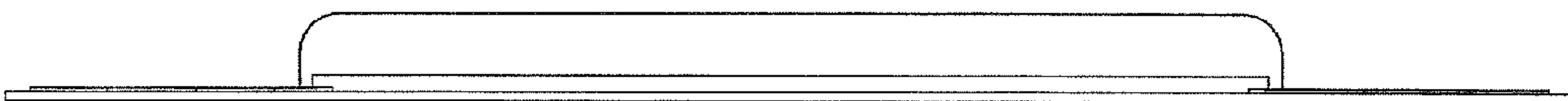


Fig. 8

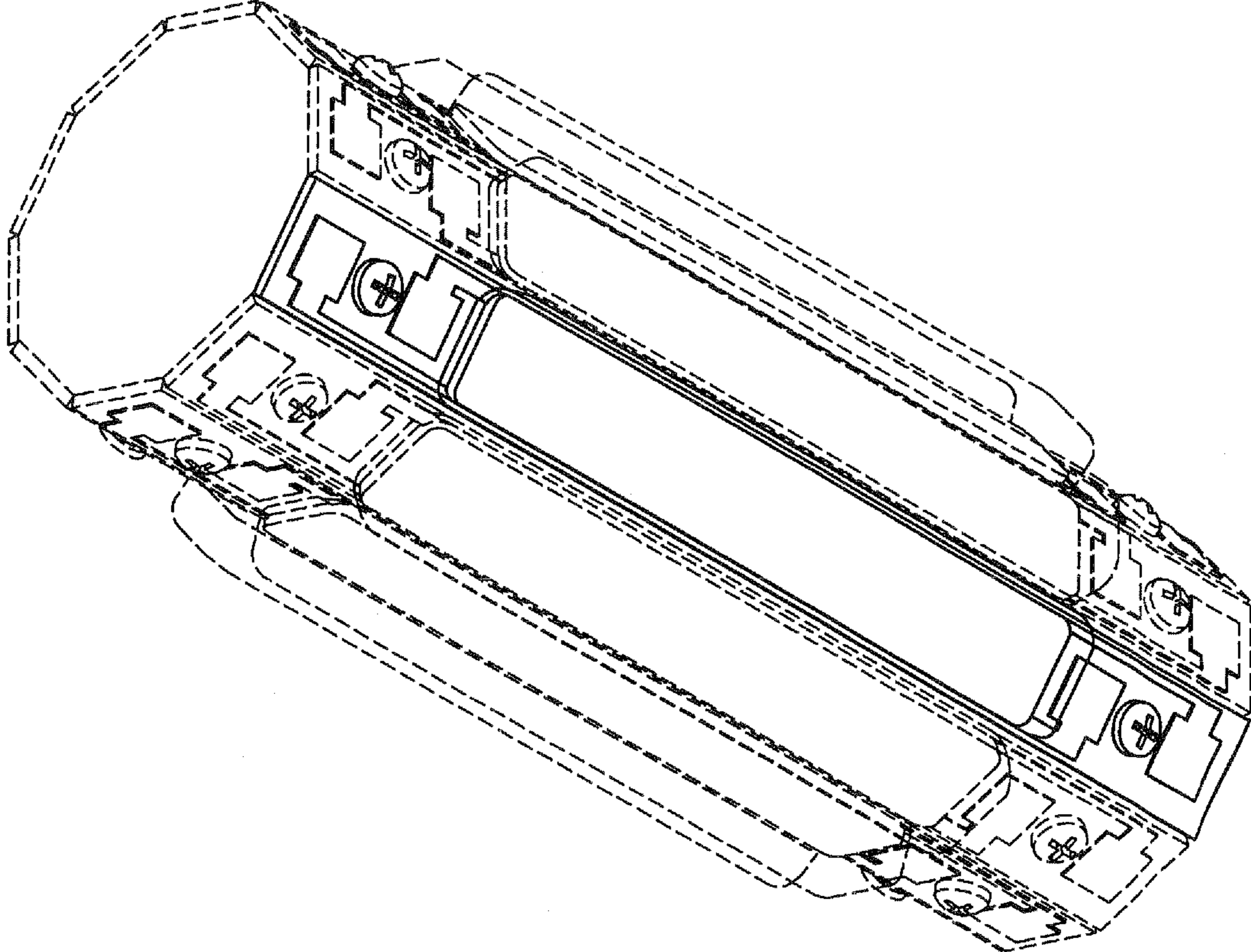


Fig. 9

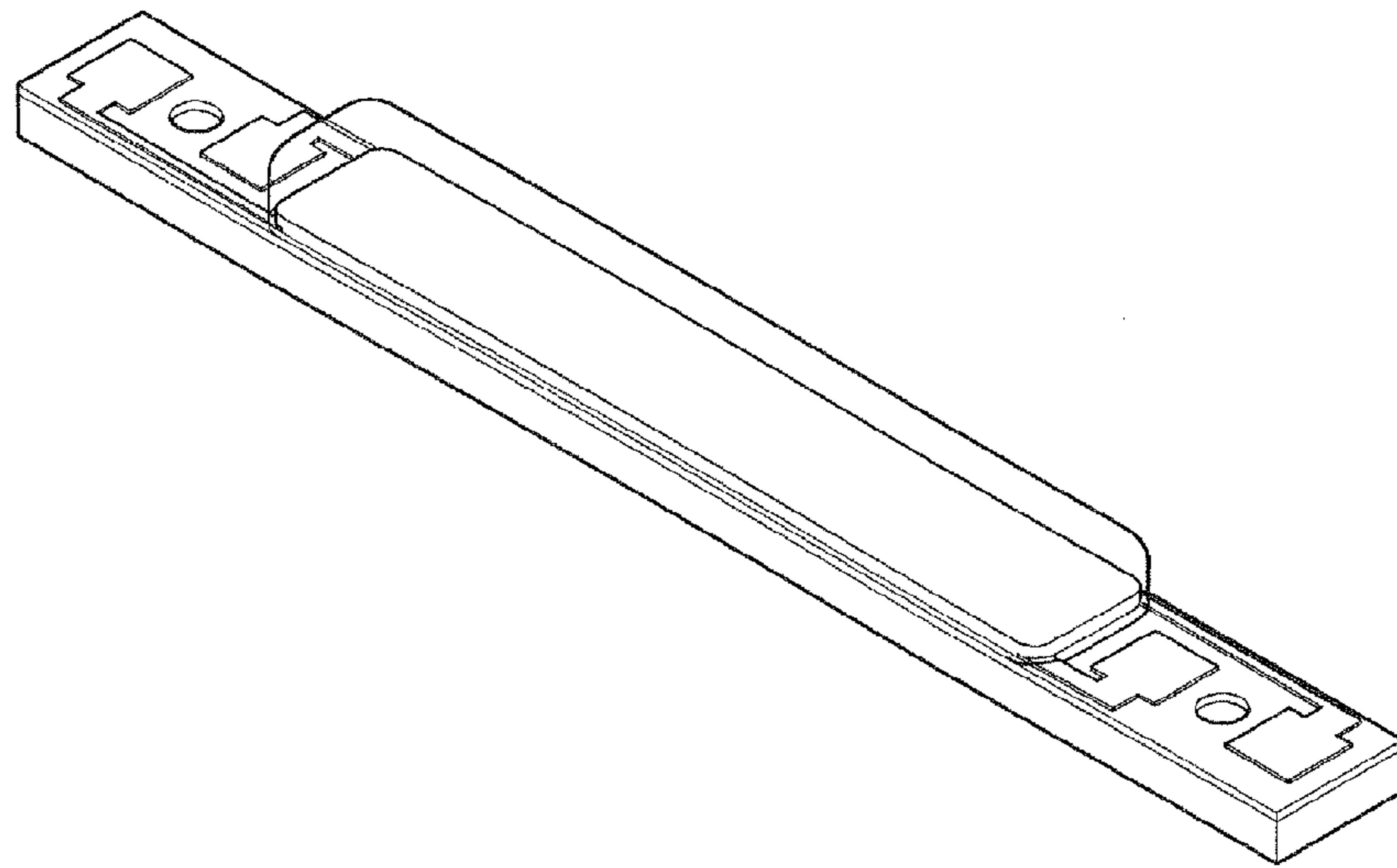


Fig. 10

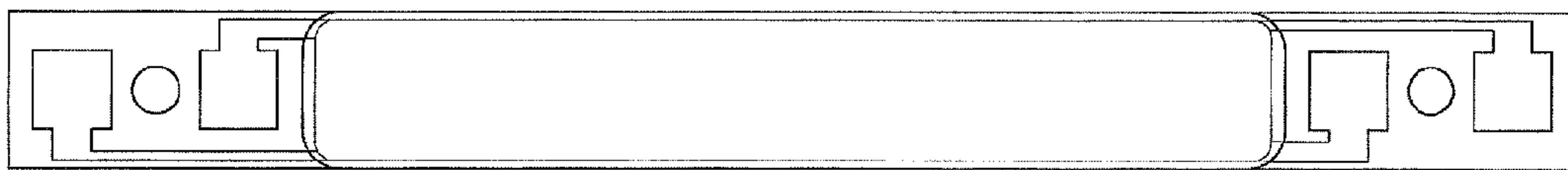


Fig. 11

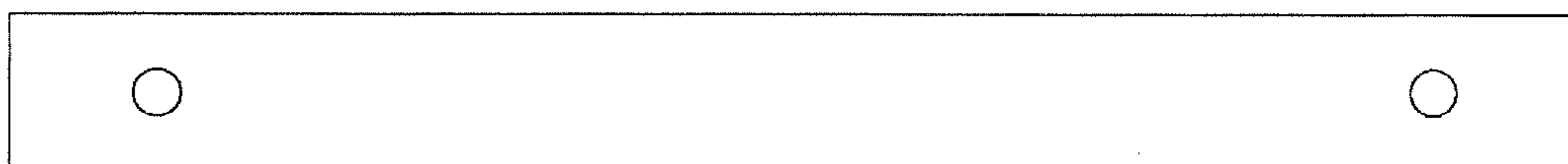


Fig. 12

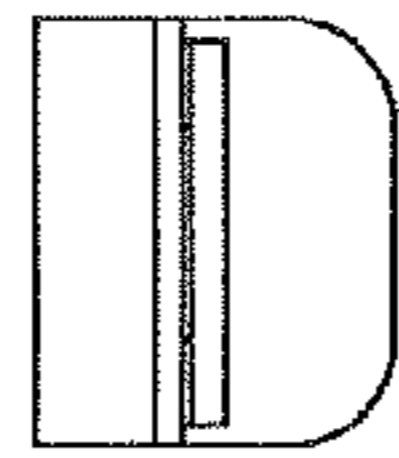


Fig. 13

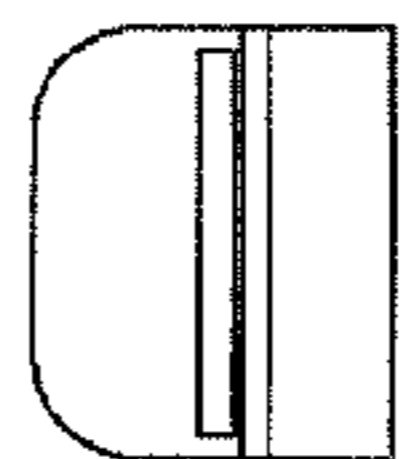


Fig. 14

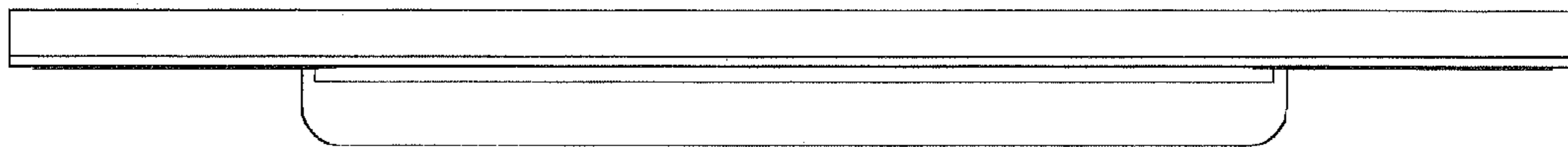


Fig. 15

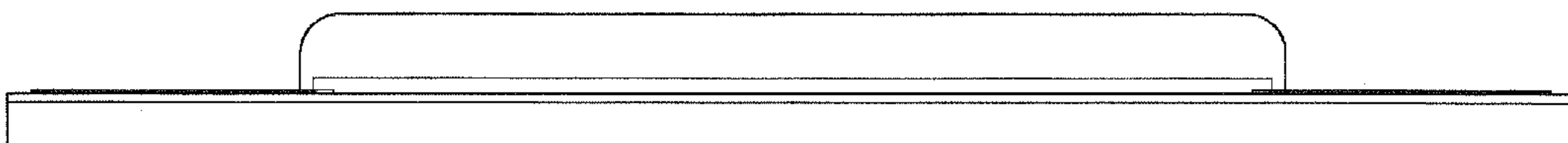


Fig. 16

