



US00D587217S

(12) **United States Design Patent**
Yun et al.

(10) **Patent No.:** **US D587,217 S**
(45) **Date of Patent:** **** Feb. 24, 2009**

(54) **RADIATOR FOR A GRAPHICS CARD CHIPSET**

D573,109 S * 7/2008 Mochizuki et al. D13/179
D574,790 S * 8/2008 Song et al. D13/179
2006/0061970 A1 * 3/2006 Lee 361/709

(75) Inventors: **Kuk Yeong Yun**, Seoul (KR); **Kyu Suk Kim**, Seoul (KR)

* cited by examiner

(73) Assignee: **Zalman Tech Co., Ltd.**, Seoul (KR)

Primary Examiner—Selina Sikder

(74) *Attorney, Agent, or Firm*—Jason Y. Pahng

(**) Term: **14 Years**

(57) **CLAIM**

(21) Appl. No.: **29/299,617**

The ornamental design for a radiator for a graphics card chipset, as shown and described.

(22) Filed: **Dec. 30, 2007**

(51) **LOC (9) Cl.** **13-03**

(52) **U.S. Cl.** **D13/179**

(58) **Field of Classification Search** D13/179;
165/80.3, 104.33, 151, 122, 185; 257/706,
257/707, 718–722; 361/687, 695, 697, 700,
361/702, 704, 709, 710, 711, 719

See application file for complete search history.

DESCRIPTION

FIG. 1 is a perspective view of a radiator for a graphics card chipset showing my new design;

FIG. 2 is a front elevational view thereof;

FIG. 3 is a rear elevational view thereof;

FIG. 4 is a left side elevational view thereof;

FIG. 5 is a right side elevational view thereof;

FIG. 6 is a top plan view thereof; and,

FIG. 7 is a bottom plan view thereof.

(56) **References Cited**

U.S. PATENT DOCUMENTS

D480,692 S * 10/2003 Lee D13/179

D541,757 S * 5/2007 Lee et al. D13/179

1 Claim, 5 Drawing Sheets

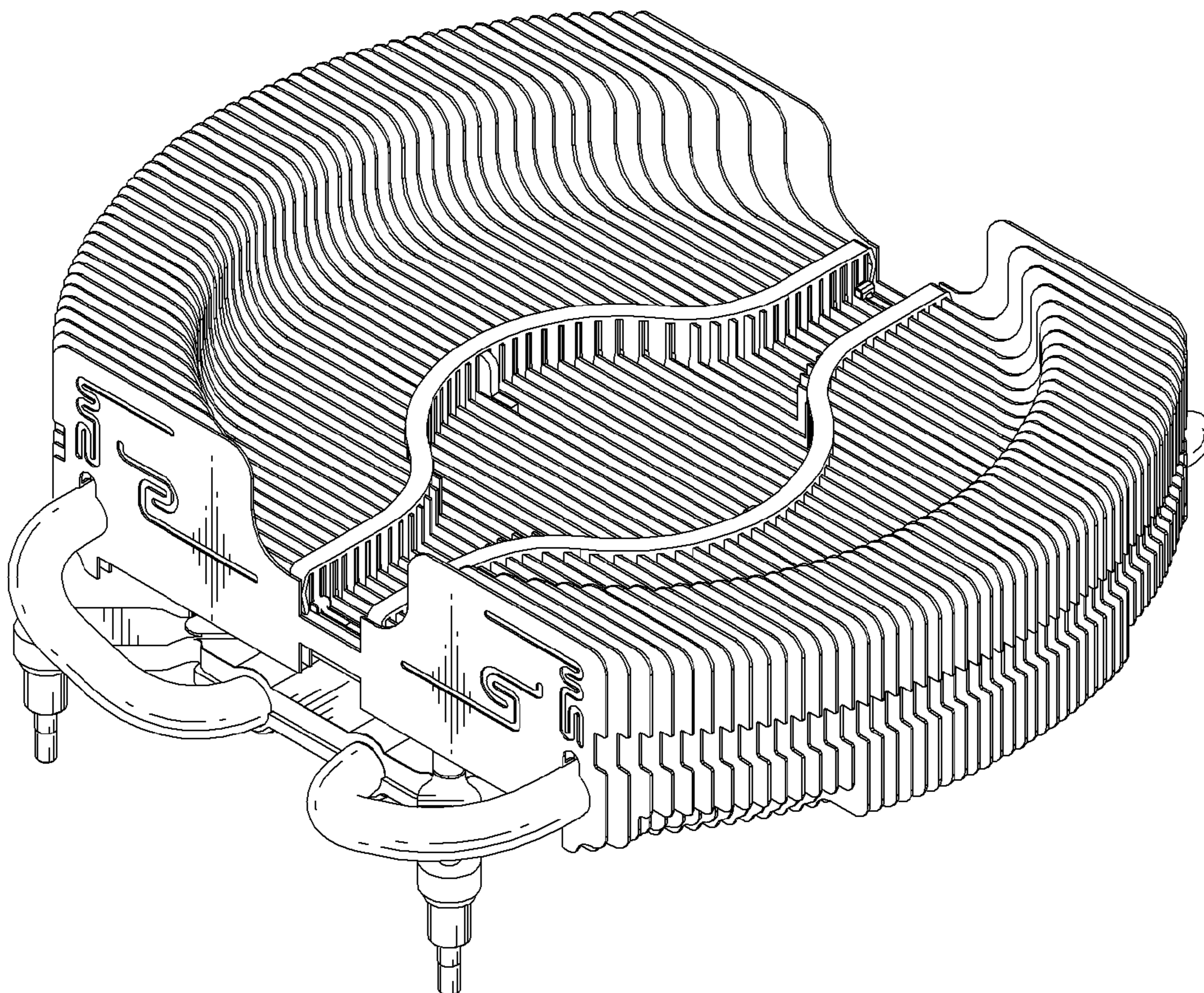


FIG. 1

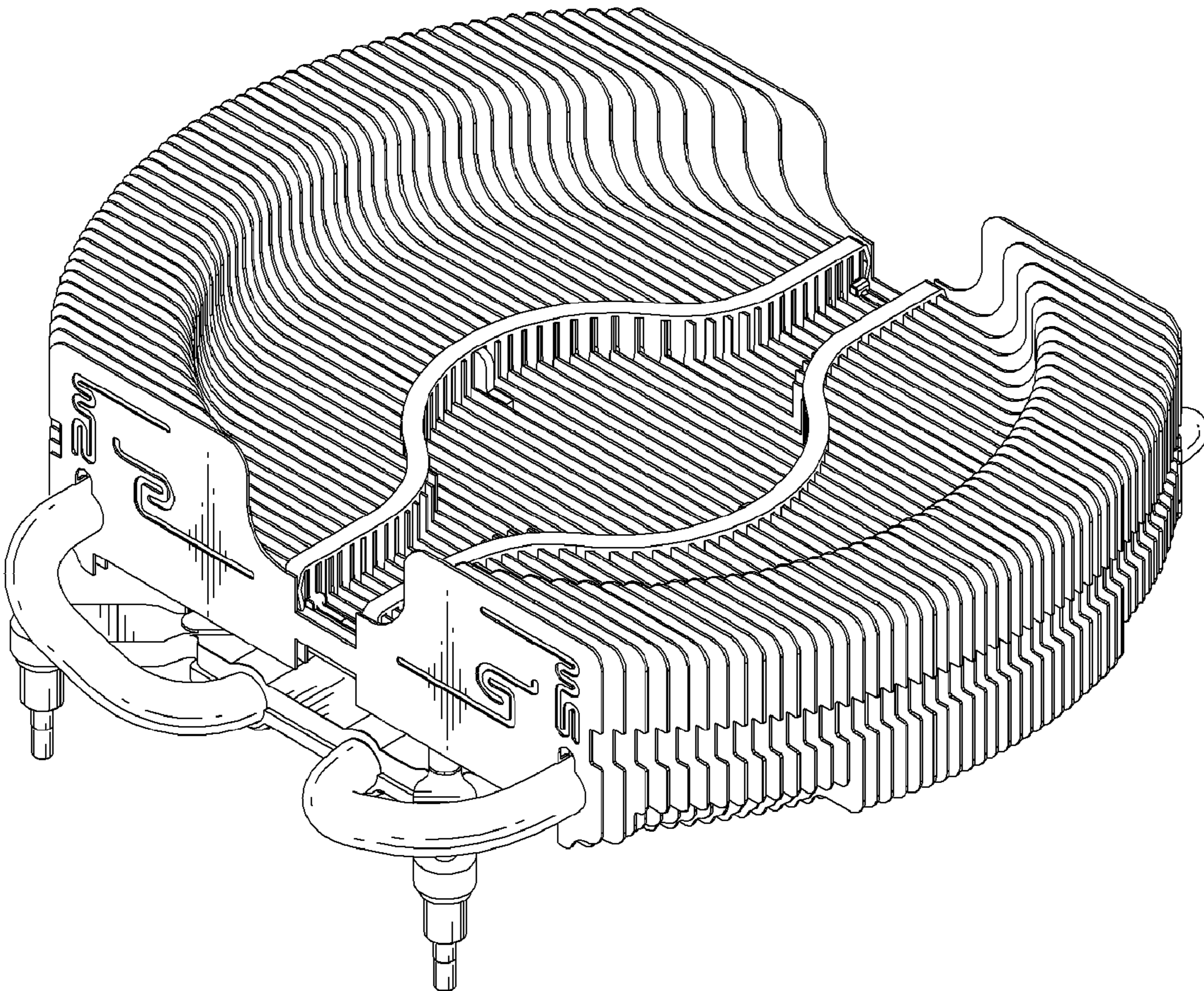


FIG. 2

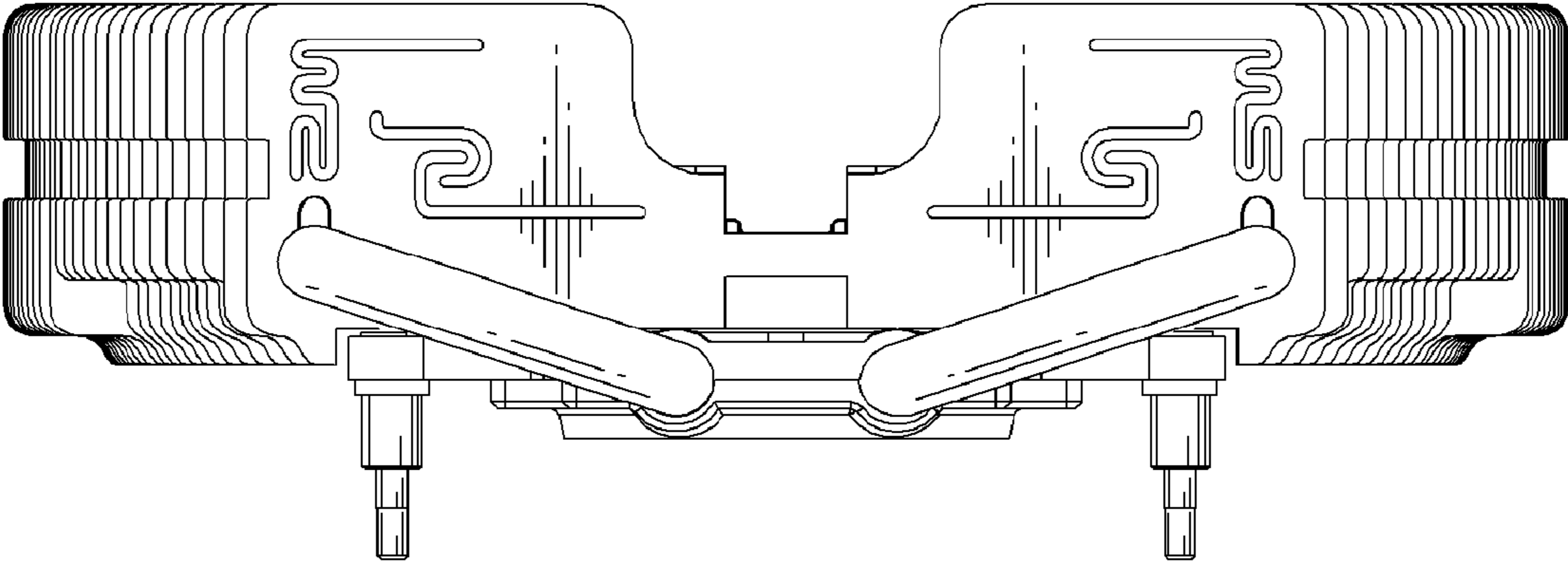


FIG. 3

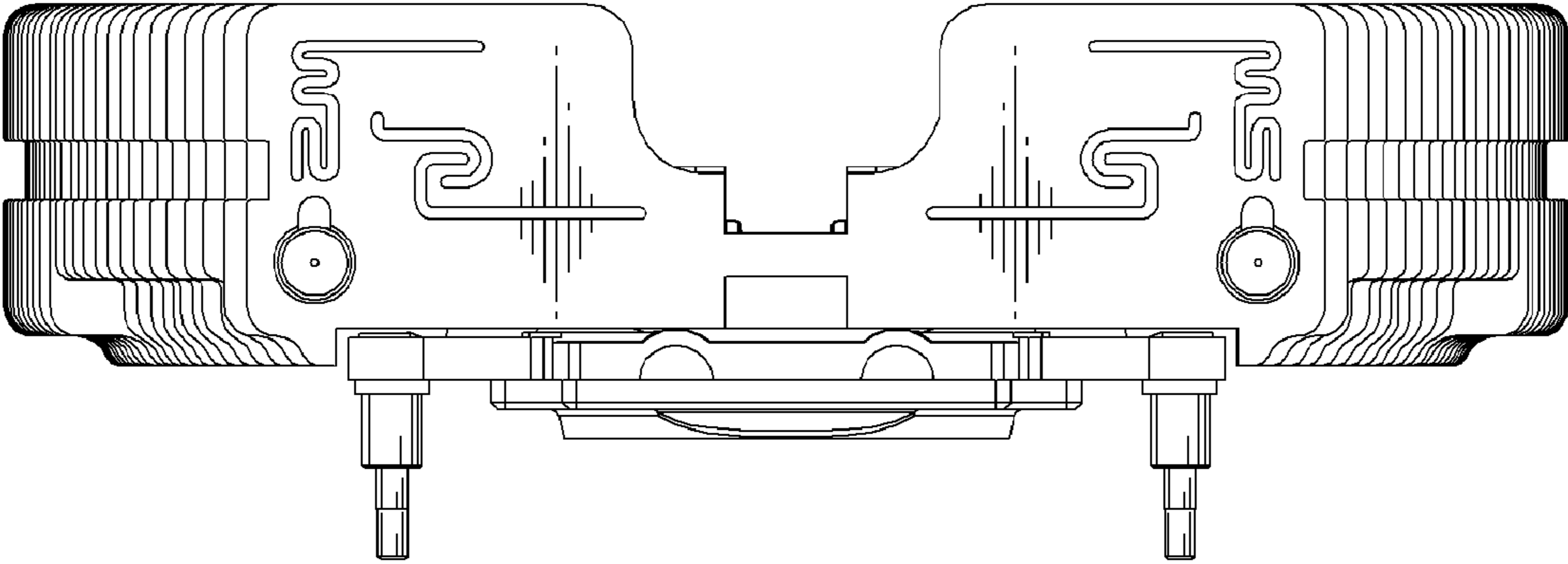


FIG. 4

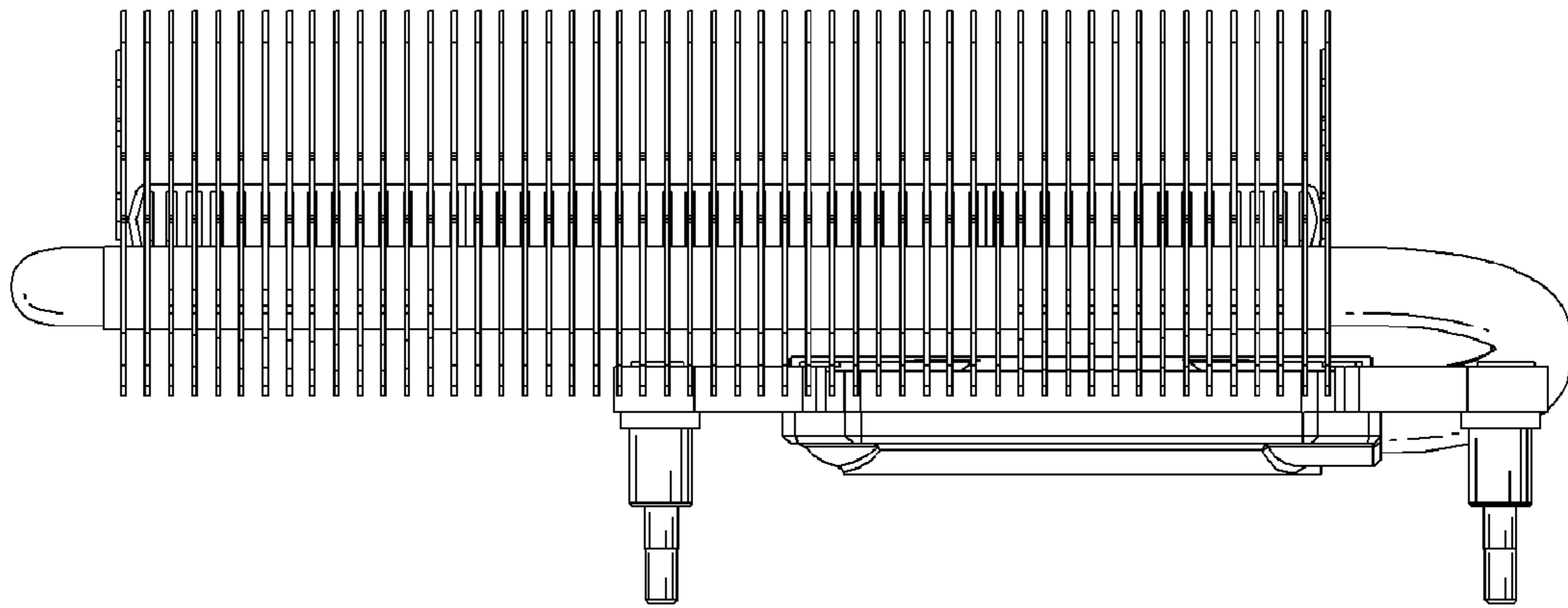


FIG. 5

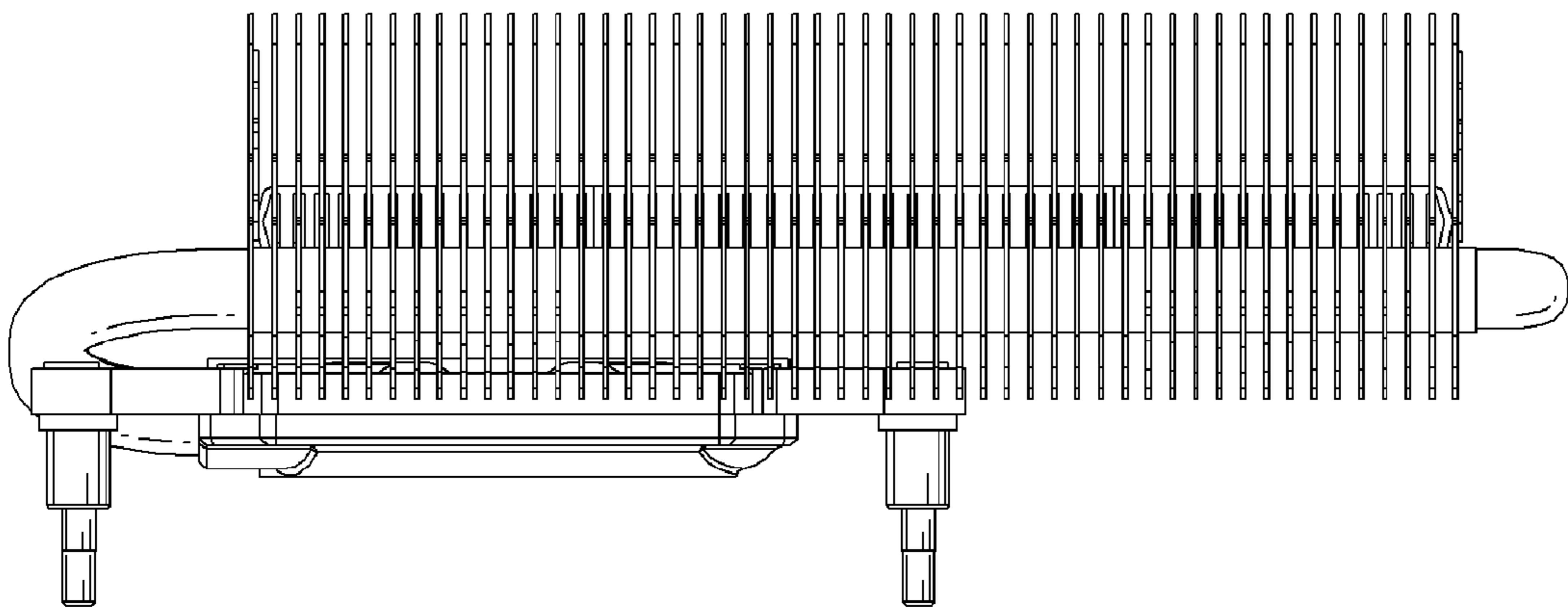


FIG. 6

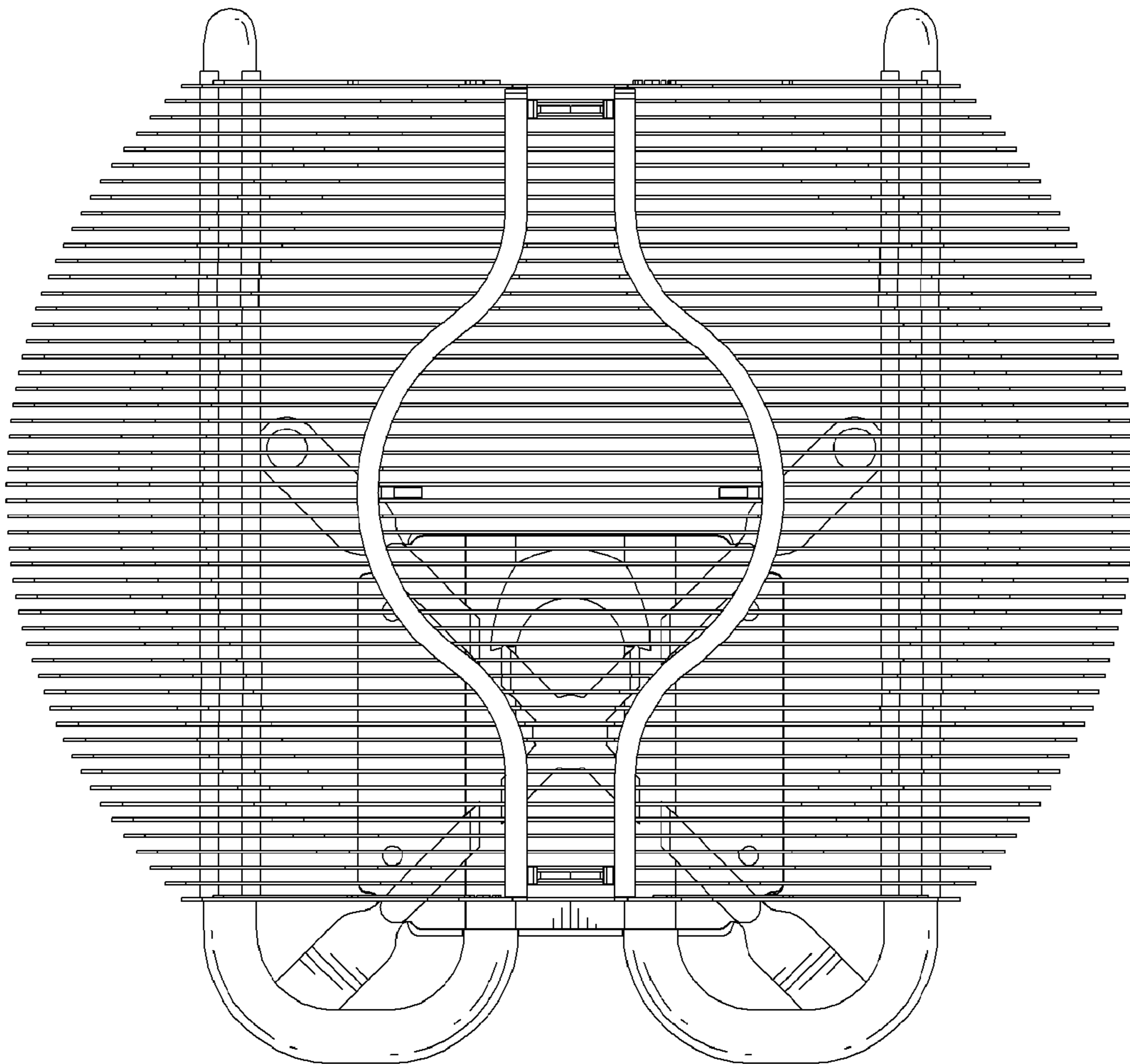


FIG. 7

