



US00D587216S

(12) **United States Design Patent**  
**Peng**

(10) **Patent No.:** **US D587,216 S**

(45) **Date of Patent:** **\*\* Feb. 24, 2009**

(54) **MARINE SWITCH PANEL**

(76) **Inventor:** **I-Sin Peng**, No. 410, Sec. 2, Henan Rd.,  
Situn District, Taichung City 407 (TW)

(\*\*) **Term:** **14 Years**

(21) **Appl. No.:** **29/273,614**

(22) **Filed:** **Mar. 9, 2007**

(51) **LOC (9) Cl.** ..... **13-03**

(52) **U.S. Cl.** ..... **D13/177; D13/164**

(58) **Field of Classification Search** ..... D13/158,  
D13/162, 164, 168, 177; 340/825.69, 825.72;  
341/176; 200/5 R, 5 A, 6 R, 412, 520, 523,  
200/530, 552, 293, 294, 296, 297, 302.1,  
200/302.2, 310, 313-317, 329, 333, 344,  
200/341, 345; D12/317

See application file for complete search history.

(56) **References Cited**

**U.S. PATENT DOCUMENTS**

D313,400 S *	1/1991	Quinn et al.	.....	D14/399
D319,423 S *	8/1991	Karczewski et al.	.....	D12/179
D352,930 S *	11/1994	Tsuji	.....	D13/168
D369,338 S *	4/1996	Arpasi	.....	D12/317
D376,576 S *	12/1996	Pratt	.....	D12/317
D398,587 S *	9/1998	Pratt	.....	D13/164
D403,664 S *	1/1999	Pratt	.....	D13/158
D451,892 S *	12/2001	Carrere	.....	D13/174
D488,134 S *	4/2004	Pratt	.....	D13/164

D529,449 S *	10/2006	Pratt	.....	D13/171
D552,045 S *	10/2007	Pratt	.....	D13/177
D552,563 S *	10/2007	Pratt	.....	D13/177

\* cited by examiner

*Primary Examiner*—Daniel D Bui

*Assistant Examiner*—Thomas J Johannes

(74) *Attorney, Agent, or Firm*—Troxell Law Office PLLC

(57) **CLAIM**

The ornamental design for a marine switch panel, as shown and described.

**DESCRIPTION**

FIG. 1 is a front elevation view of a marine switch panel, showing my new design;

FIG. 2 is a rear elevation view thereof;

FIG. 3 is a left side view thereof;

FIG. 4 is a right side view thereof;

FIG. 5 is a top plan view thereof;

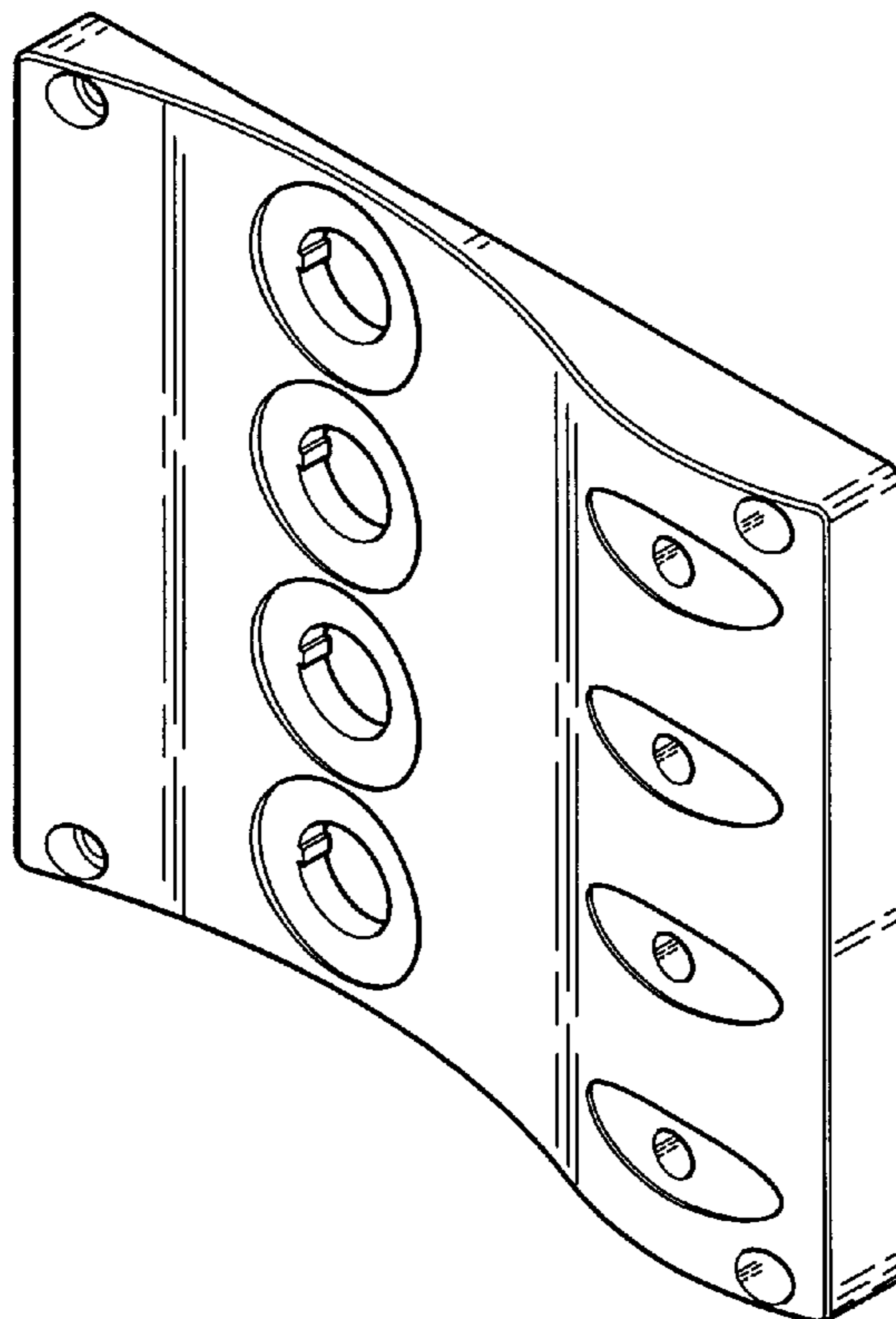
FIG. 6 is a bottom plan view thereof;

FIG. 7 is a perspective view thereof; and,

FIG. 8 is a perspective view thereof in a usage condition.

The broken line showing in the figure drawings is included for illustrative purposes only and forms no part of the claimed design.

**1 Claim, 5 Drawing Sheets**



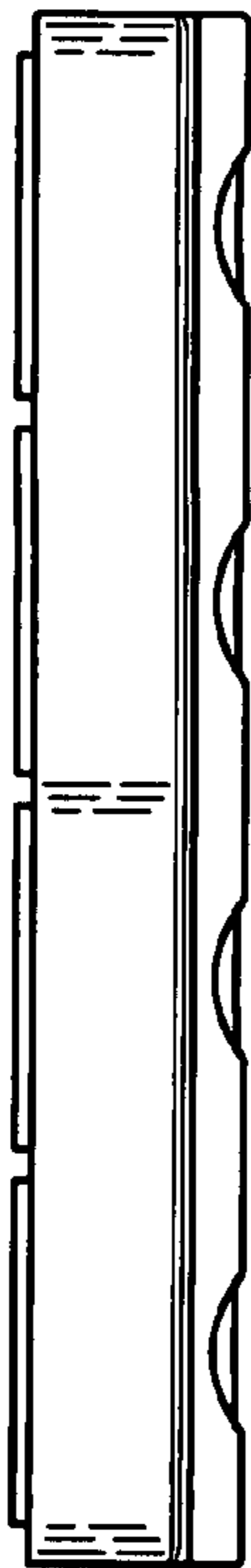


Fig. 3

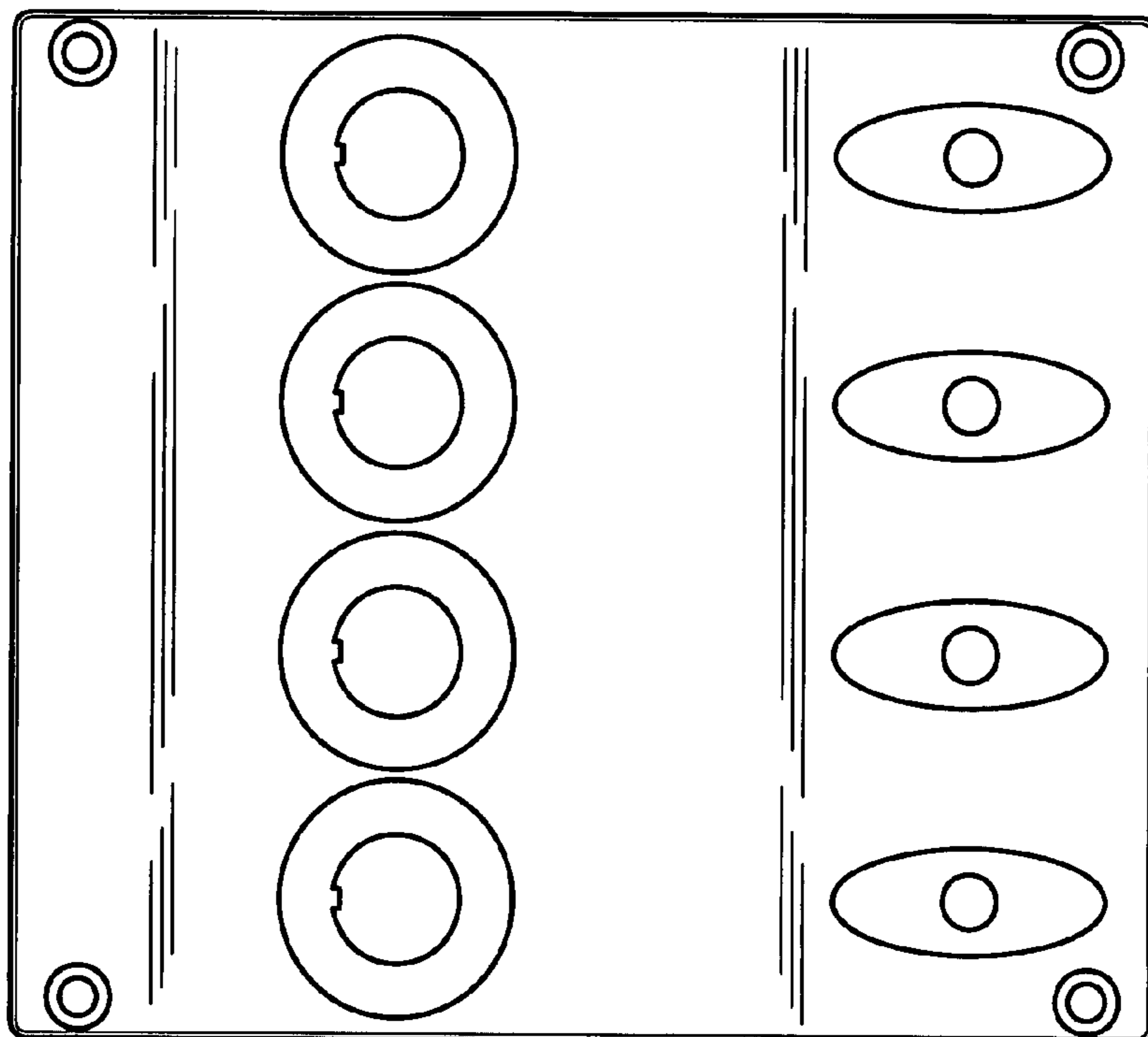


Fig. 1

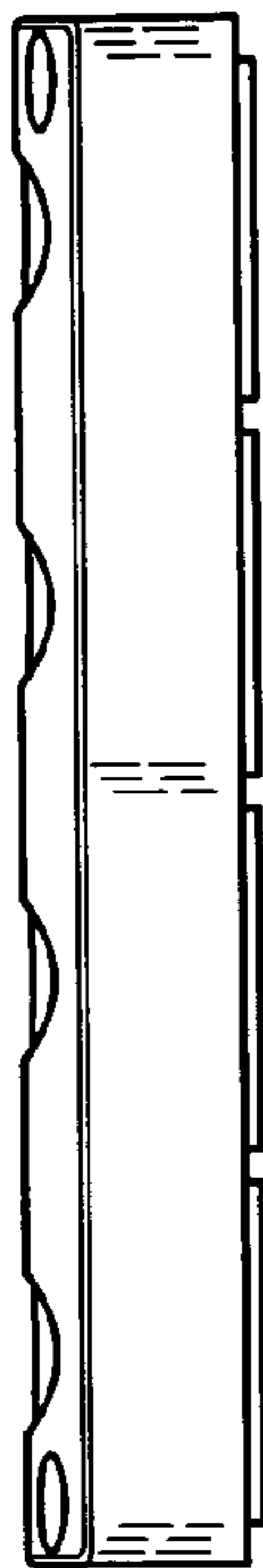


Fig. 4

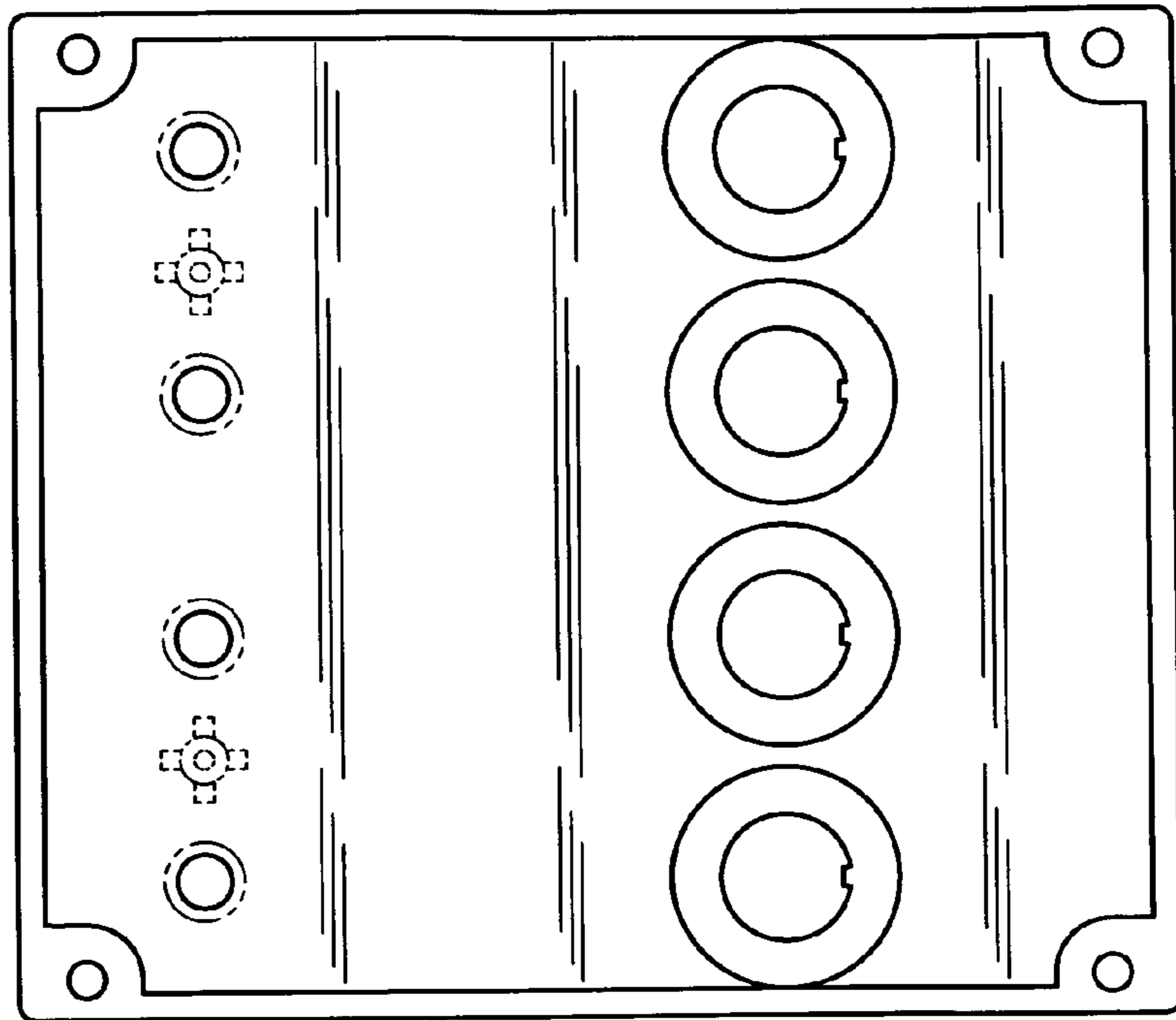


Fig. 2

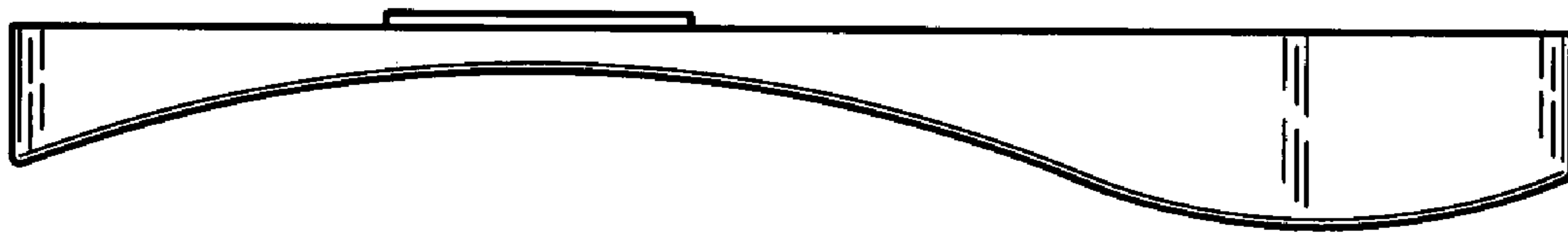


Fig. 5



Fig. 6

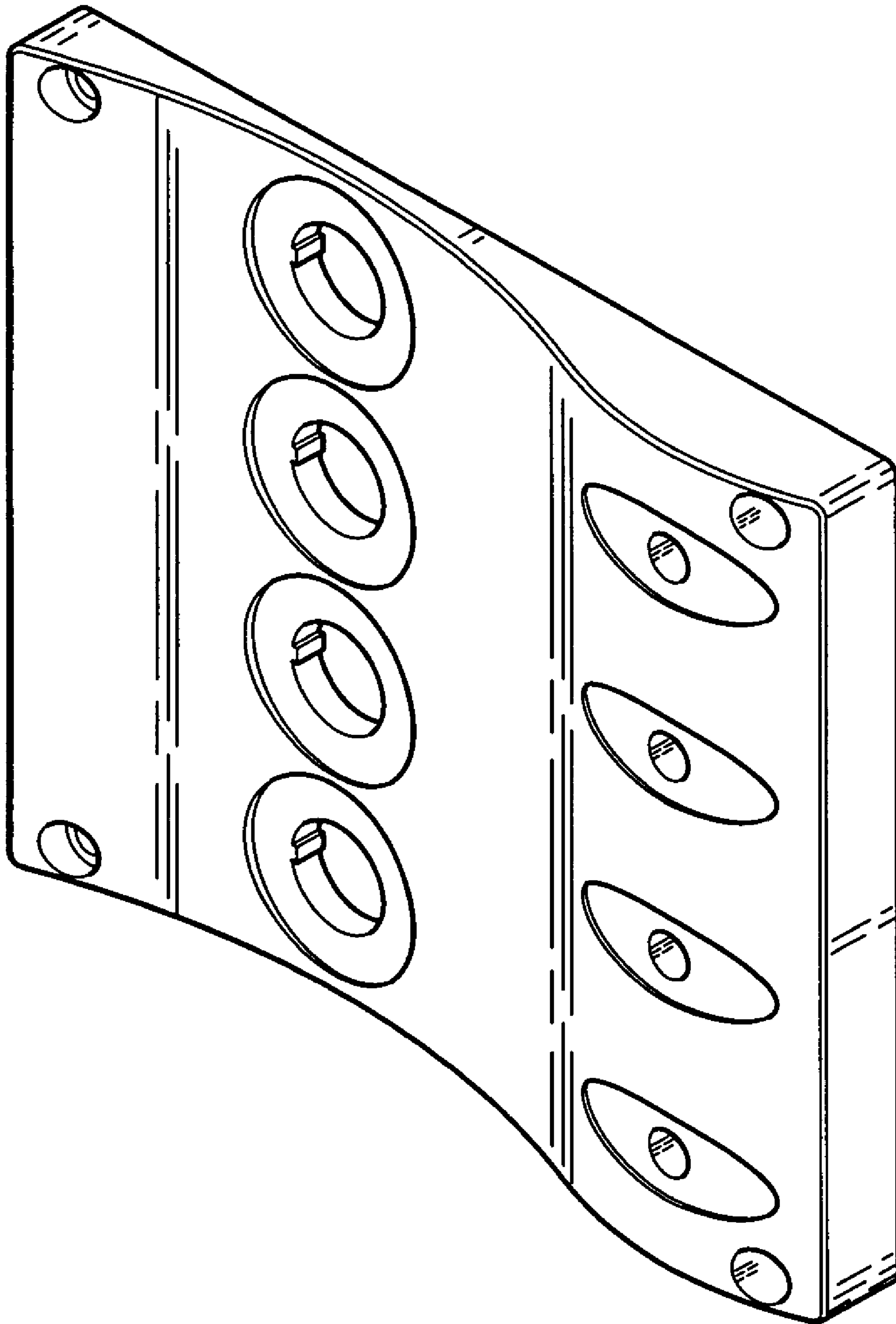


Fig. 7

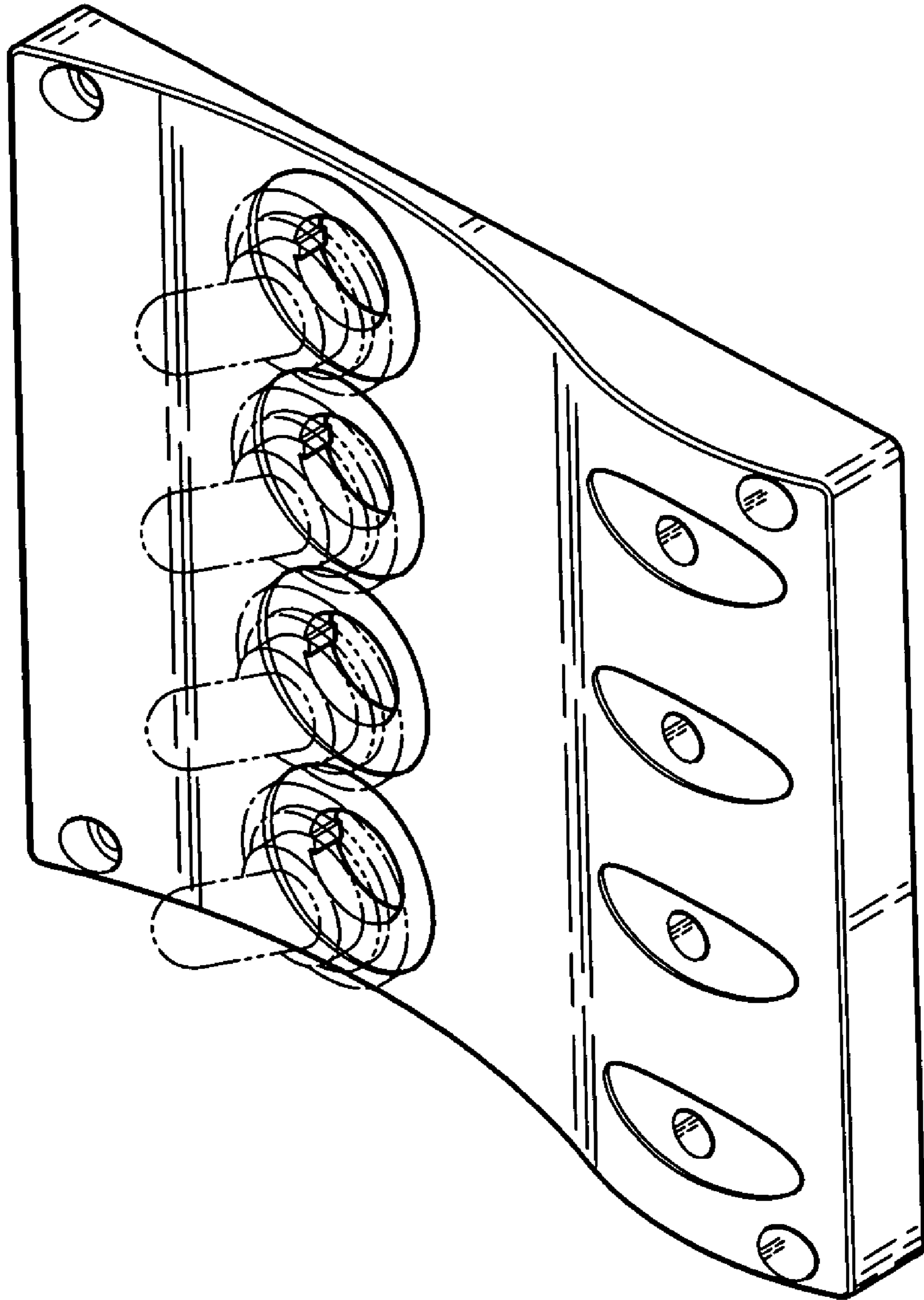


Fig. 8