



US00D587213S

(12) **United States Design Patent**  
**Ball et al.**

(10) **Patent No.:** **US D587,213 S**  
(45) **Date of Patent:** **\*\* Feb. 24, 2009**

(54) **TEST SWITCH**

(75) Inventors: **Roy Ball**, Coral Springs, FL (US);  
**Timothy F. Masters**, Boca Raton, FL (US)

(73) Assignee: **ABB Technology AG**, Zurich (CH)

(\*\*) Term: **14 Years**

(21) Appl. No.: **29/235,664**

(22) Filed: **Aug. 4, 2005**

(51) **LOC (9) Cl.** ..... **13-03**

(52) **U.S. Cl.** ..... **D13/169**

(58) **Field of Classification Search** ..... D13/158,  
D13/162, 164, 169; 29/622; 200/5 A, 1 B,  
200/433, 525, 553, 315, 335, 332, 339; 324/418-423,  
324/754; 335/159; 361/189; 439/517, 521  
See application file for complete search history.

(56) **References Cited**

**U.S. PATENT DOCUMENTS**

- 6,384,350 B1 \* 5/2002 Shincovich et al. .... 200/5 A
- 6,551,126 B1 \* 4/2003 Feldman ..... 439/482
- 2005/0250376 A1 \* 11/2005 Ostmeier ..... 439/521

2006/0059681 A1\* 3/2006 Ball ..... 29/622

\* cited by examiner

*Primary Examiner*—Selina Sikder

(57) **CLAIM**

We claim the ornamental design for a test switch, as shown and described.

**DESCRIPTION**

FIG. 1 is a front and right side perspective view of a test switch according to the present invention;

FIG. 2 is a rear and right side perspective view of the FIG. 1 test switch;

FIG. 3 is a front elevational view of the FIG. 1 test switch with the transparent cover and side knobs removed;

FIG. 4 is a rear elevational view of the FIG. 1 test switch;

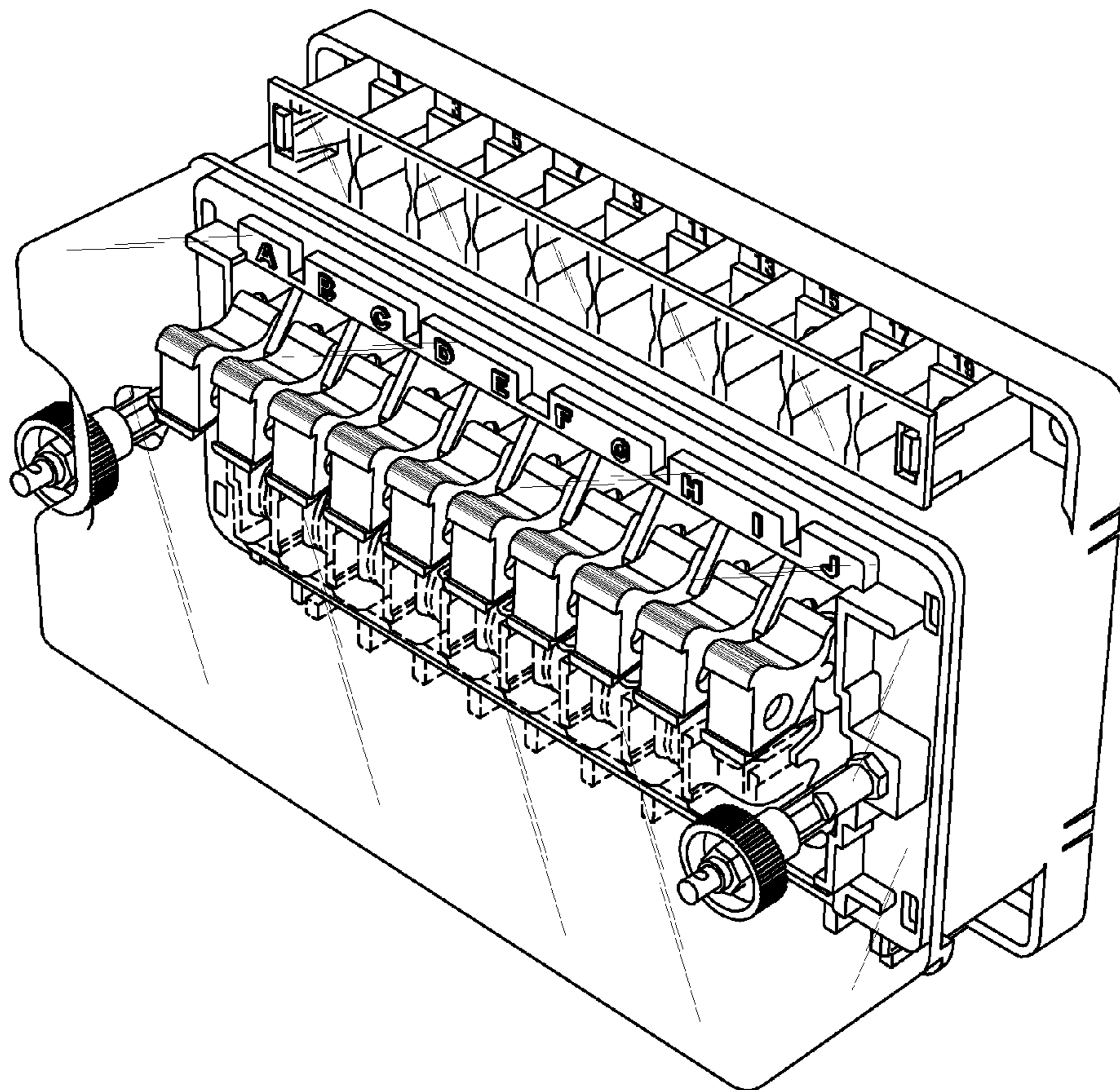
FIG. 5 is a left side elevational view of the FIG. 1 test switch, the right side being a mirror image of the left side;

FIG. 6 is a top plan view of the FIG. 1 test switch; and,

FIG. 7 is a bottom plan view of the FIG. 1 test switch.

The broken lines define portions of the test switch that form no part of the claimed design.

**1 Claim, 7 Drawing Sheets**



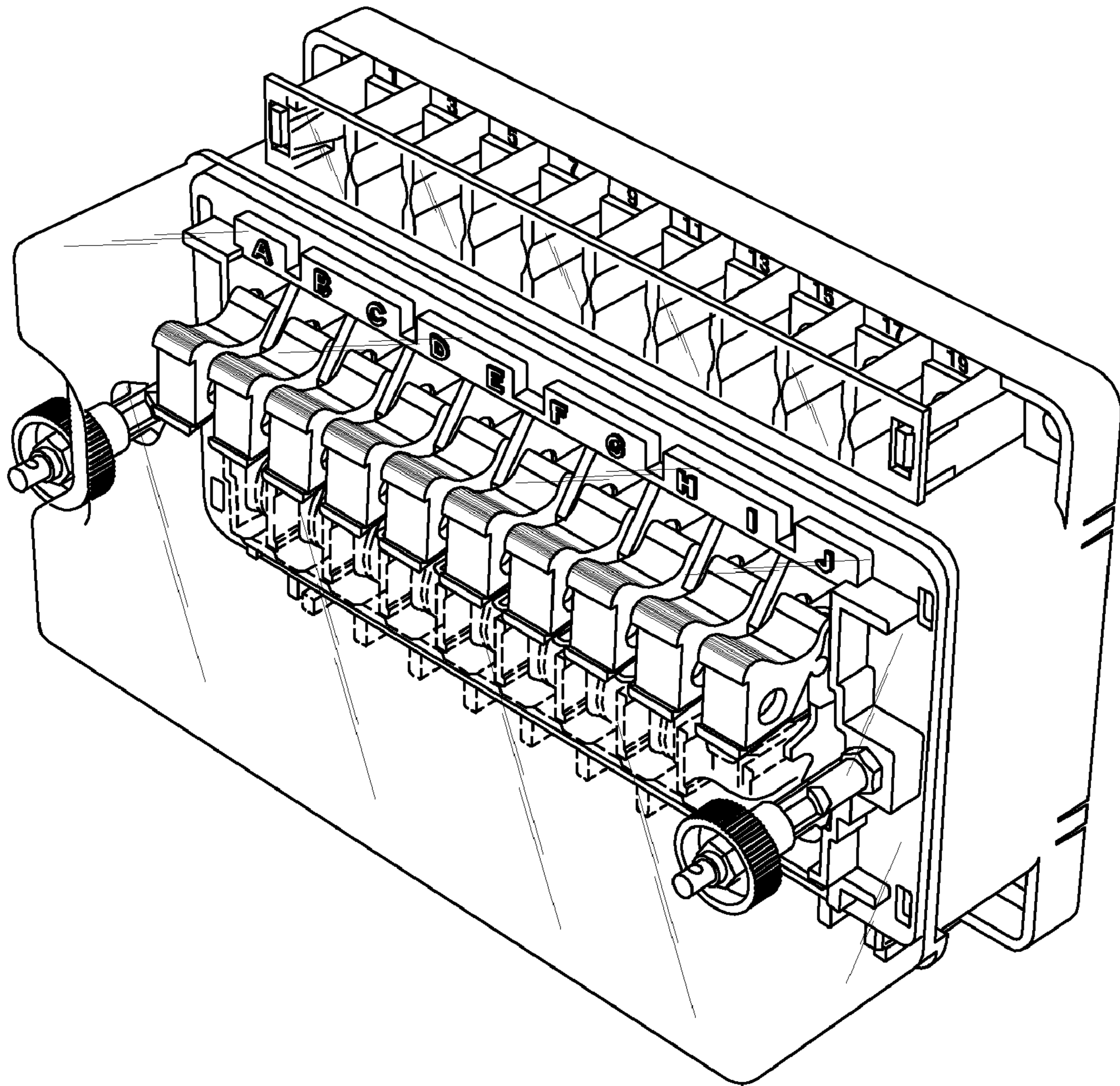


FIG.-1



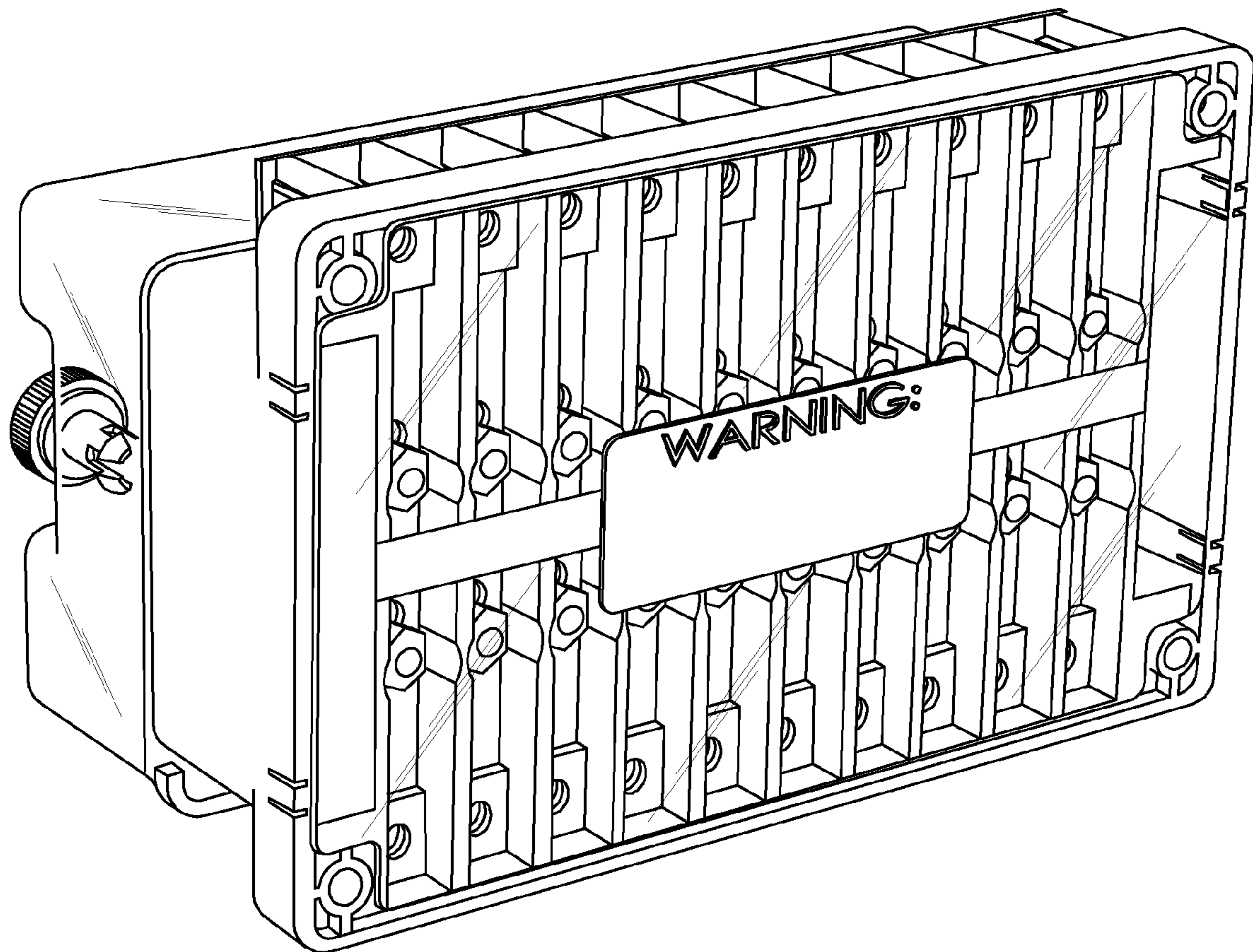


FIG.-2

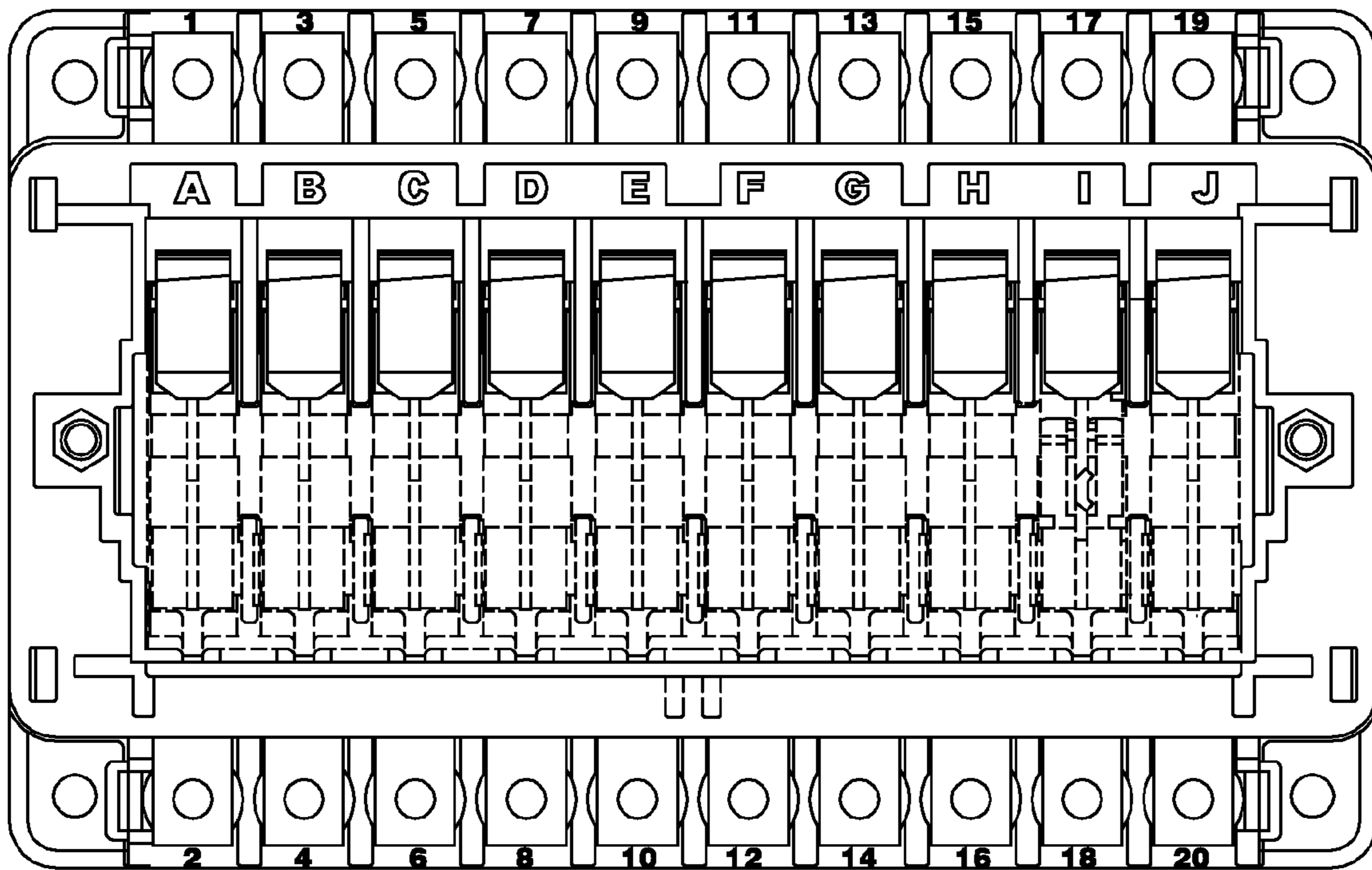


FIG.-3

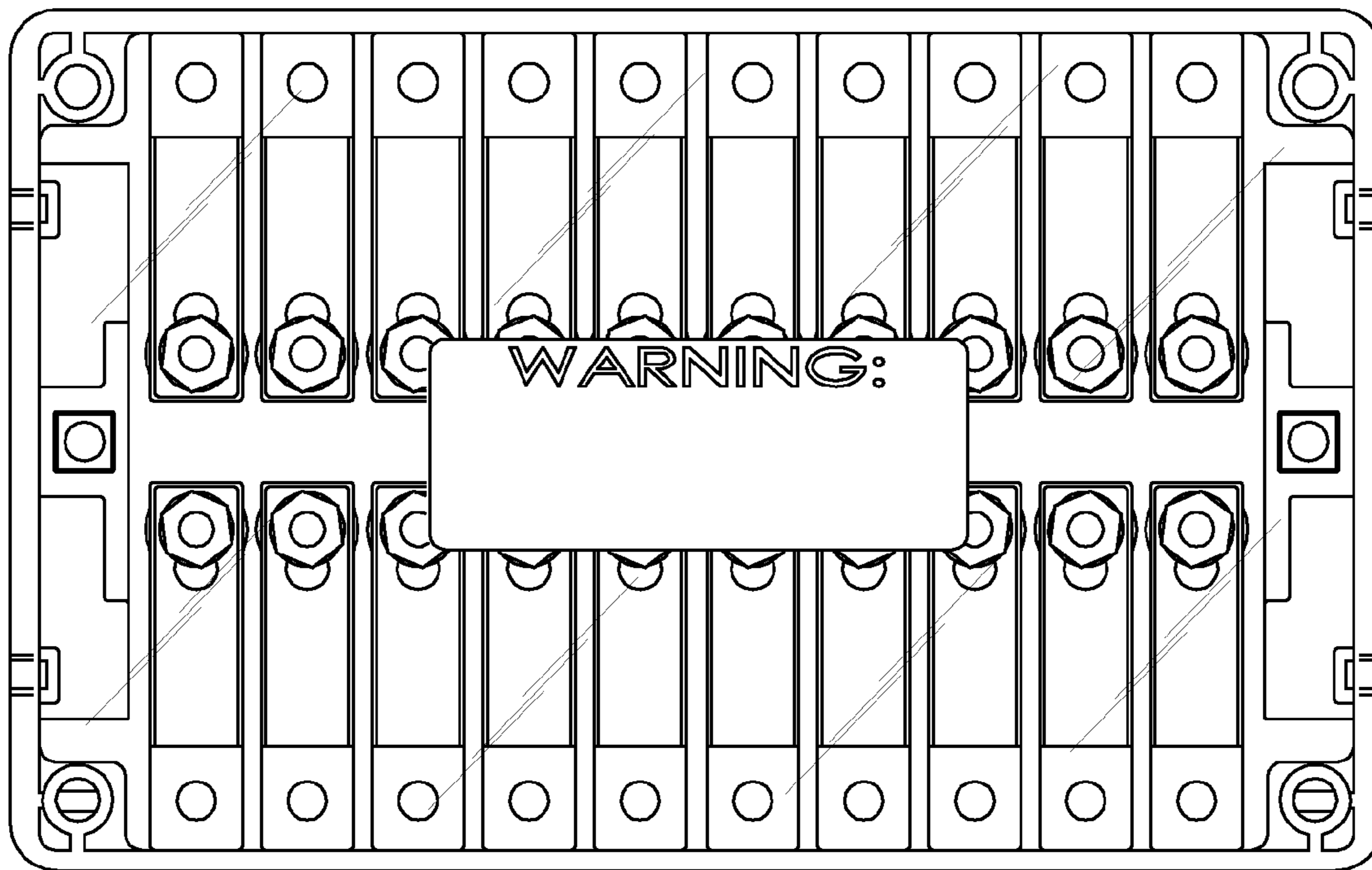


FIG.-4

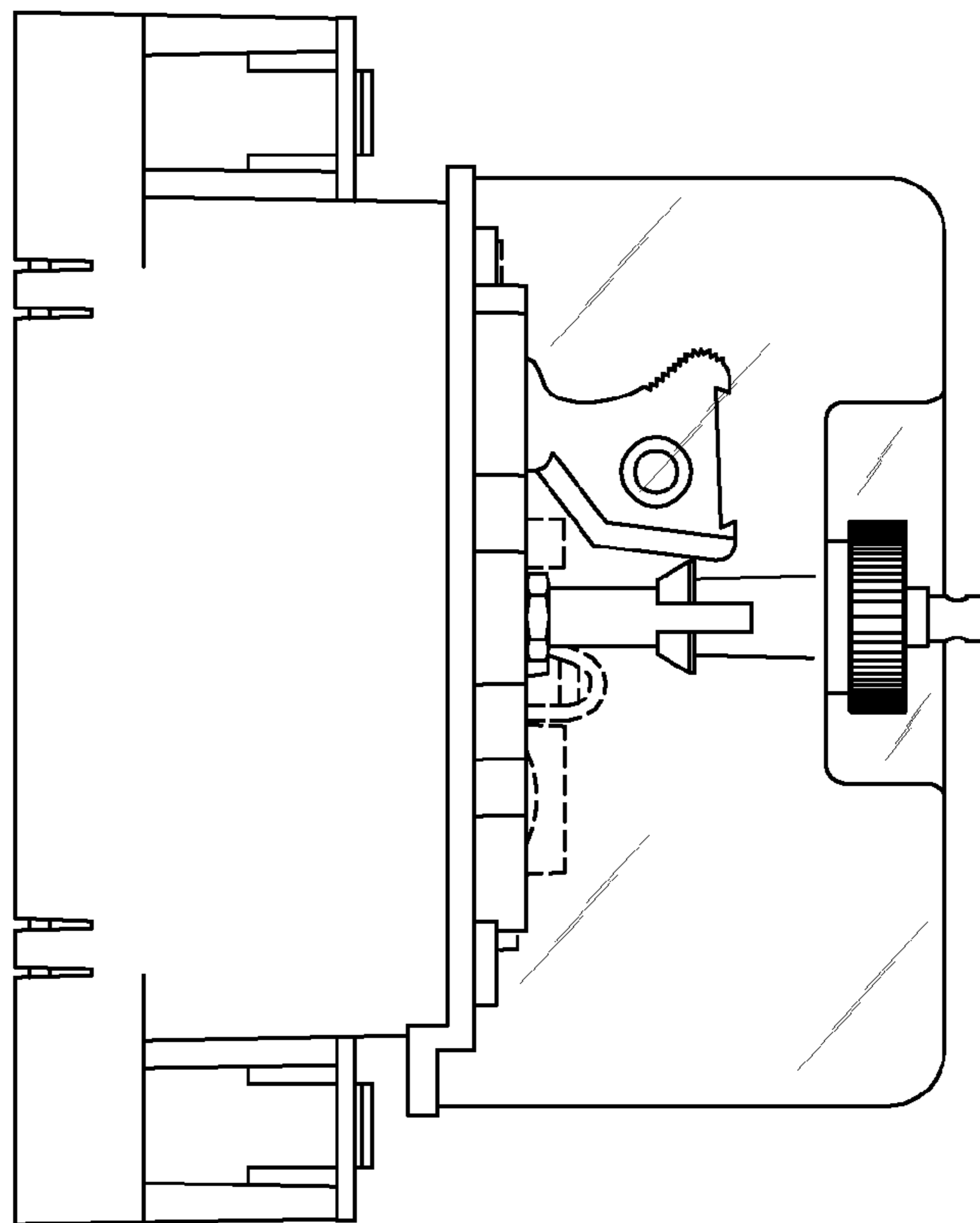


FIG.-5

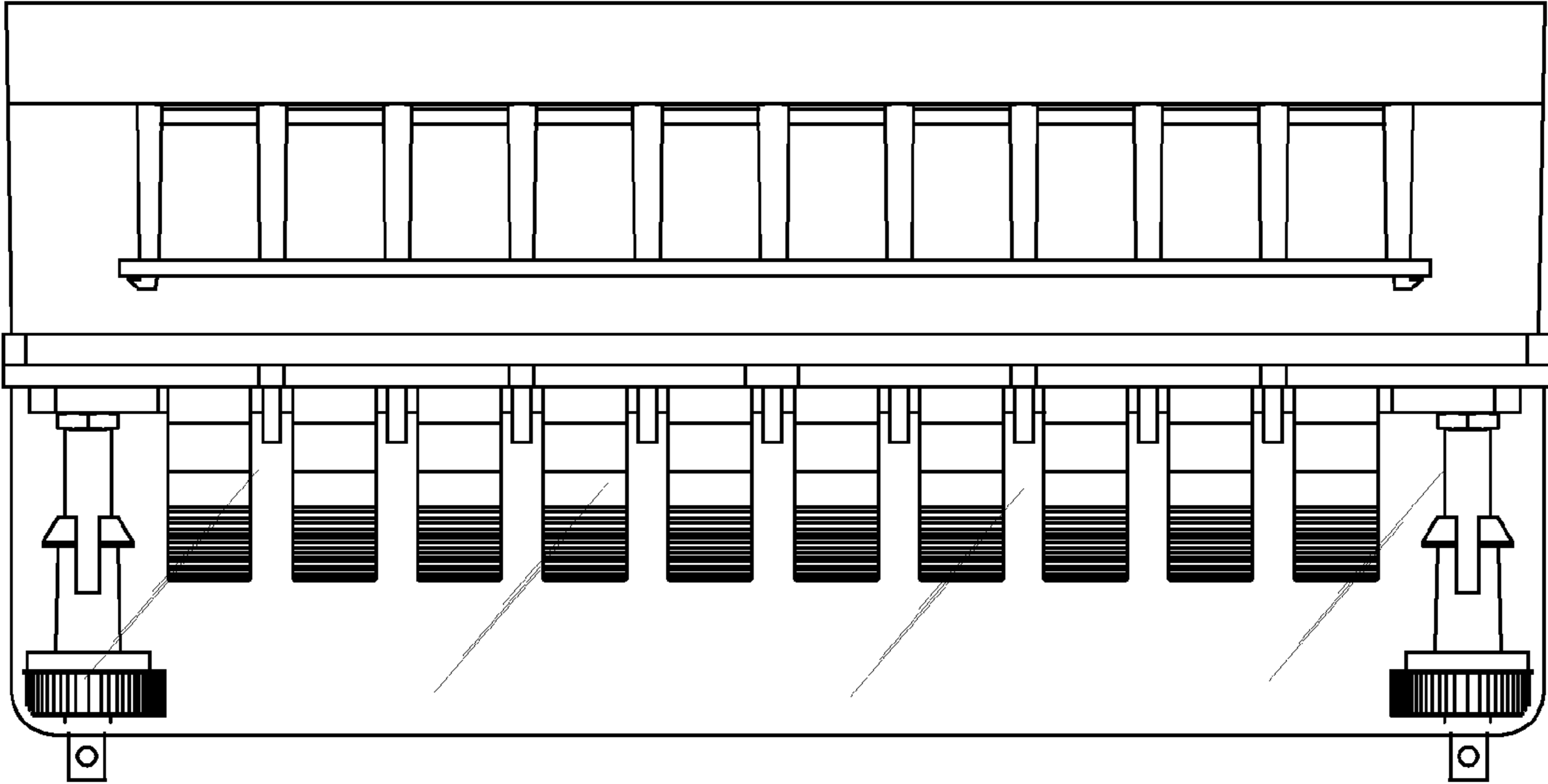


FIG.-6

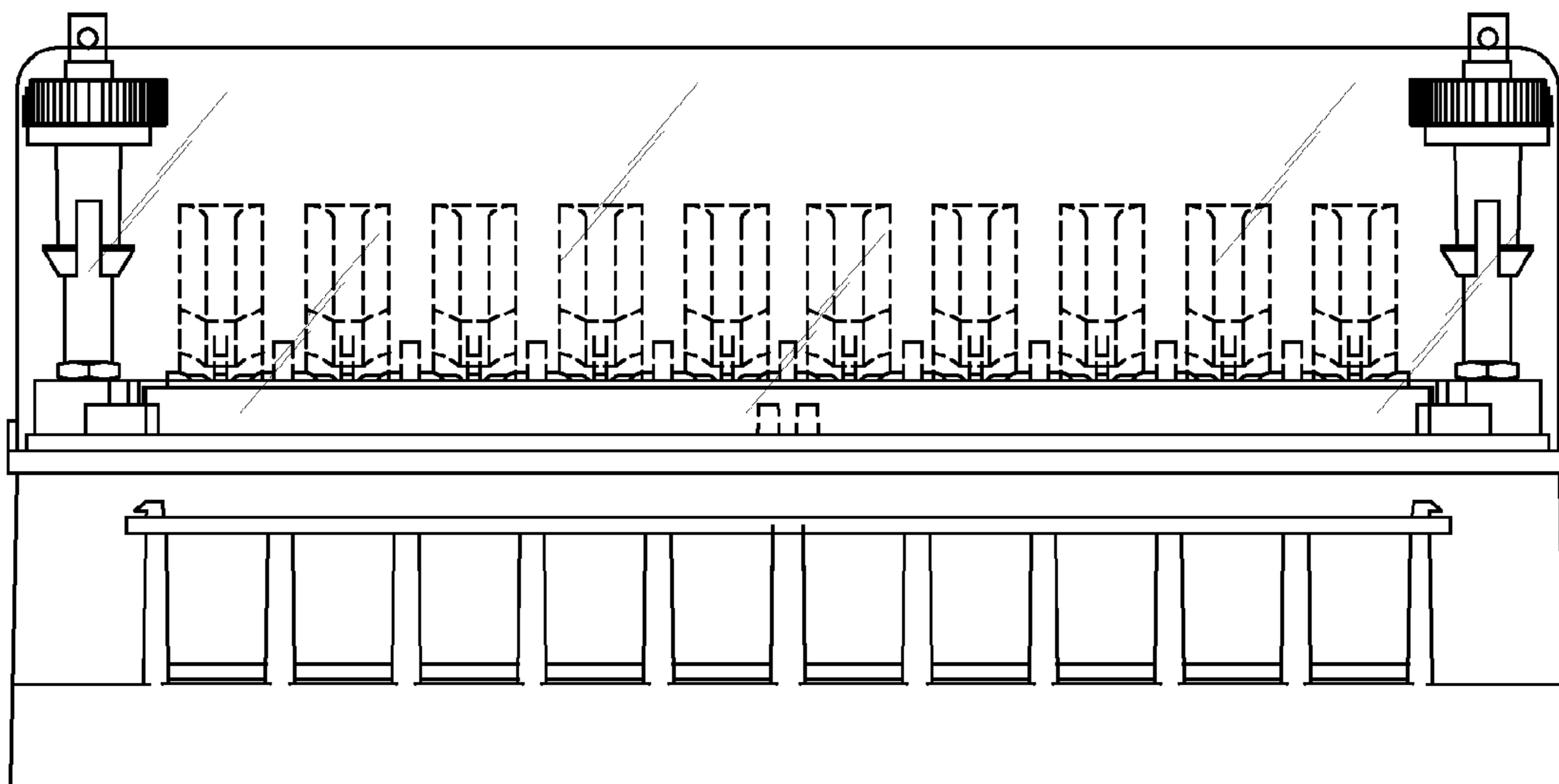


FIG.-7