



US00D587211S

(12) **United States Design Patent**
Greenslade

(10) **Patent No.:** **US D587,211 S**

(45) **Date of Patent:** **** *Feb. 24, 2009**

(54) **ACTUATOR CONTROL UNIT**

(75) Inventor: **John Adrian Greenslade**, Bath (GB)

(73) Assignee: **Rotork Controls Limited**, Lower
Weston Bath (GB)

(*) Notice: This patent is subject to a terminal disclaimer.

(**) Term: **14 Years**

(21) Appl. No.: **29/302,904**

(22) Filed: **Jan. 28, 2008**

(51) **LOC (9) Cl.** **13-03**

(52) **U.S. Cl.** **D13/162; D13/123**

(58) **Field of Classification Search** D13/123,
D13/133, 147, 158, 159, 160, 161, 162, 164,
D13/174, 184, 199; 74/73.12, 89.15, 335,
74/411.5, 490.09; D15/143, 199; 91/61,
91/136, 451; 310/20, 80

See application file for complete search history.

(56) **References Cited**

U.S. PATENT DOCUMENTS

D243,772 S * 3/1977 McKinnon et al. D13/159
D327,869 S * 7/1992 Nagasaka et al. D13/133
D344,715 S * 3/1994 Hsiao et al. D13/159

D393,626 S * 4/1998 Siat D13/158
D525,194 S * 7/2006 Nagai et al. D13/110
D546,352 S * 7/2007 Tsou et al. D15/143
D549,663 S * 8/2007 Tsou et al. D13/158
2007/0163541 A1* 7/2007 Schweinfurth et al. 123/396

* cited by examiner

Primary Examiner—Daniel D Bui

Assistant Examiner—Thomas J Johannes

(74) *Attorney, Agent, or Firm*—King & Schickli, PLLC

(57) **CLAIM**

The ornamental design of an actuator control unit, as shown and described.

DESCRIPTION

FIG. 1 is a front side perspective view of an actuator control unit, showing my new design;

FIG. 2 is a plan view of a top side thereof;

FIG. 3 is a plan view of a bottom side thereof;

FIG. 4 is a front end view thereof;

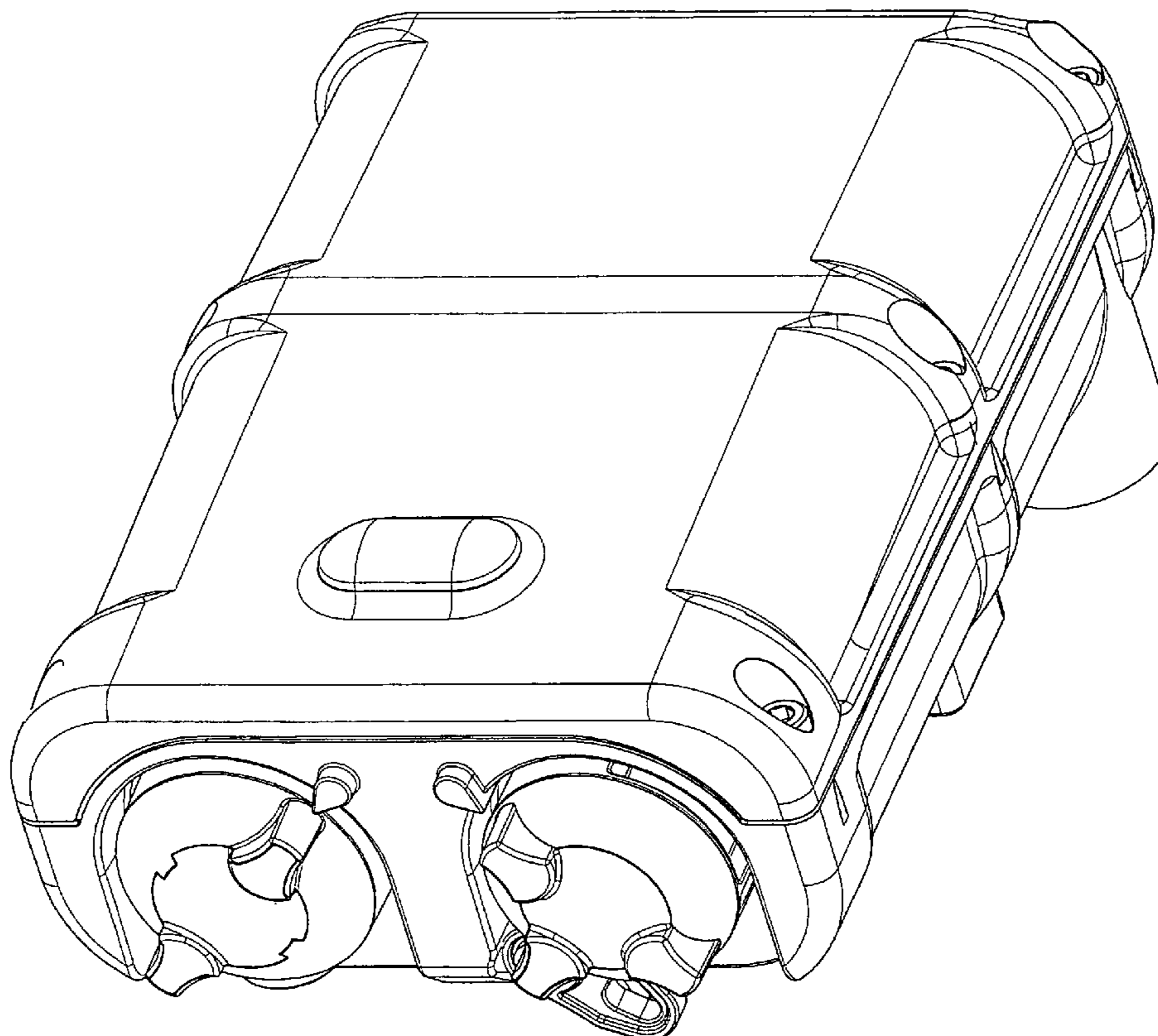
FIG. 5 is a rear end view thereof;

FIG. 6 is a bottom perspective view thereof;

FIG. 7 is a left side elevational view thereof; and,

FIG. 8 is a right side end elevational view thereof.

1 Claim, 8 Drawing Sheets



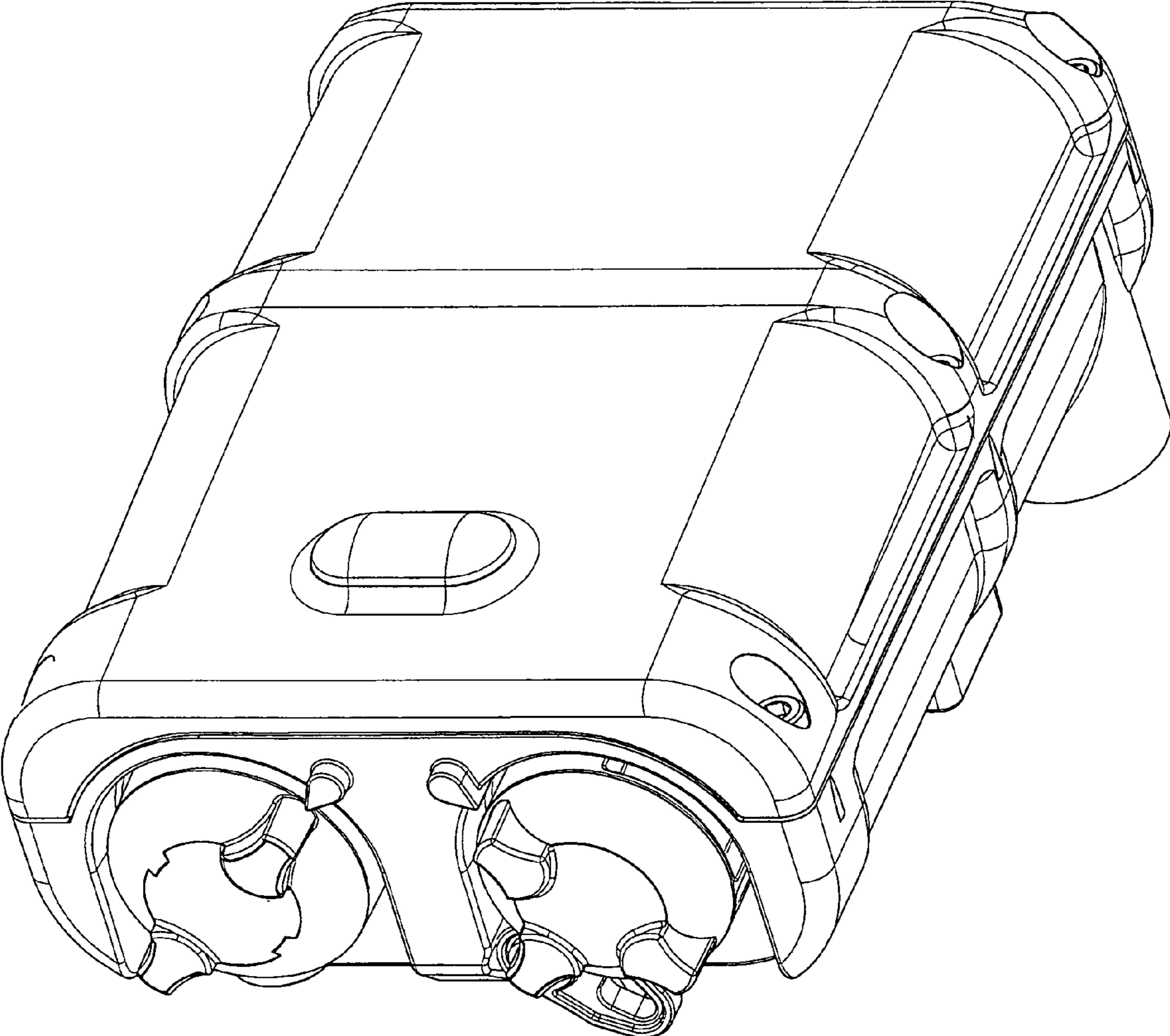


Fig. 1

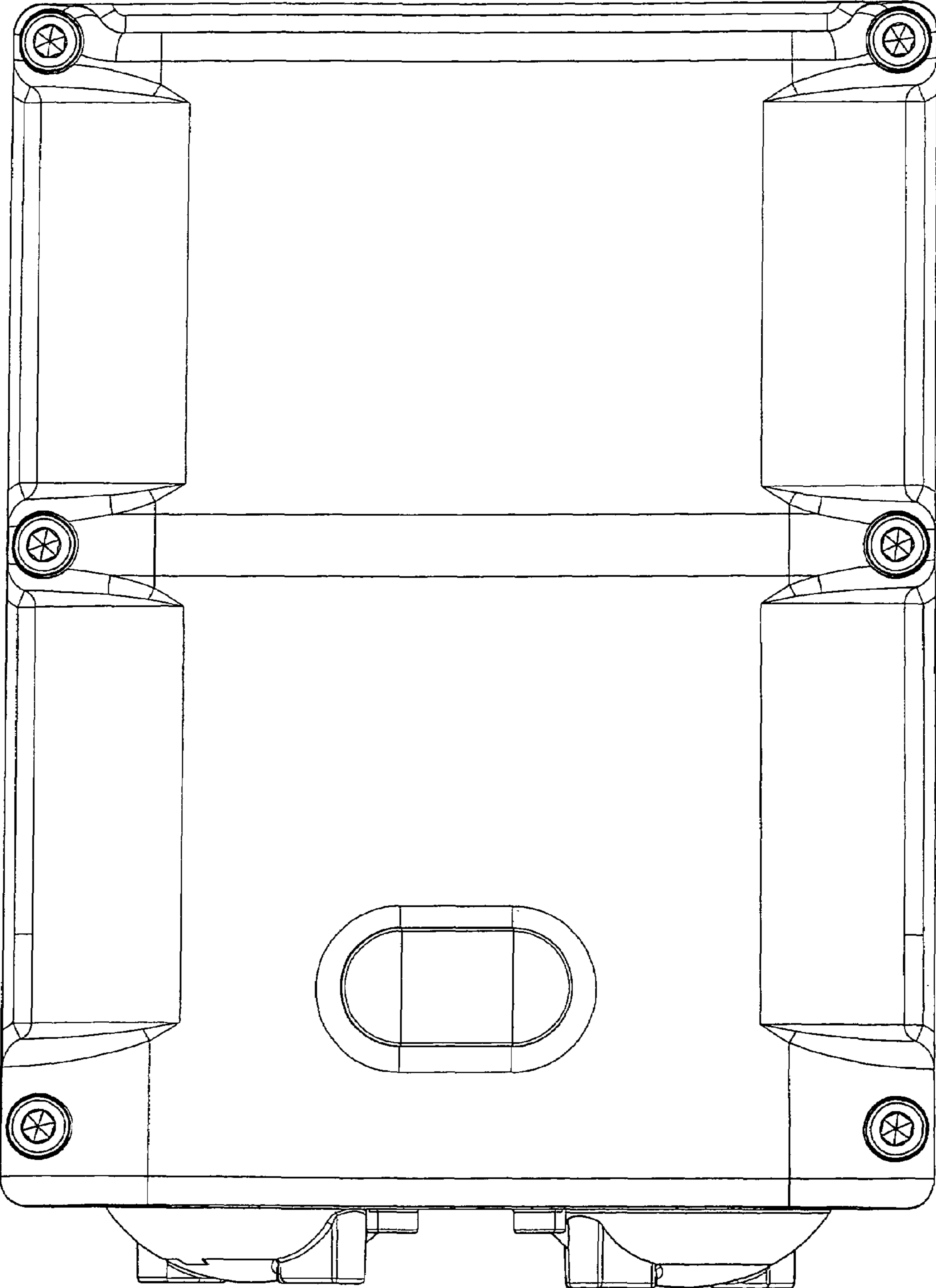


Fig. 2

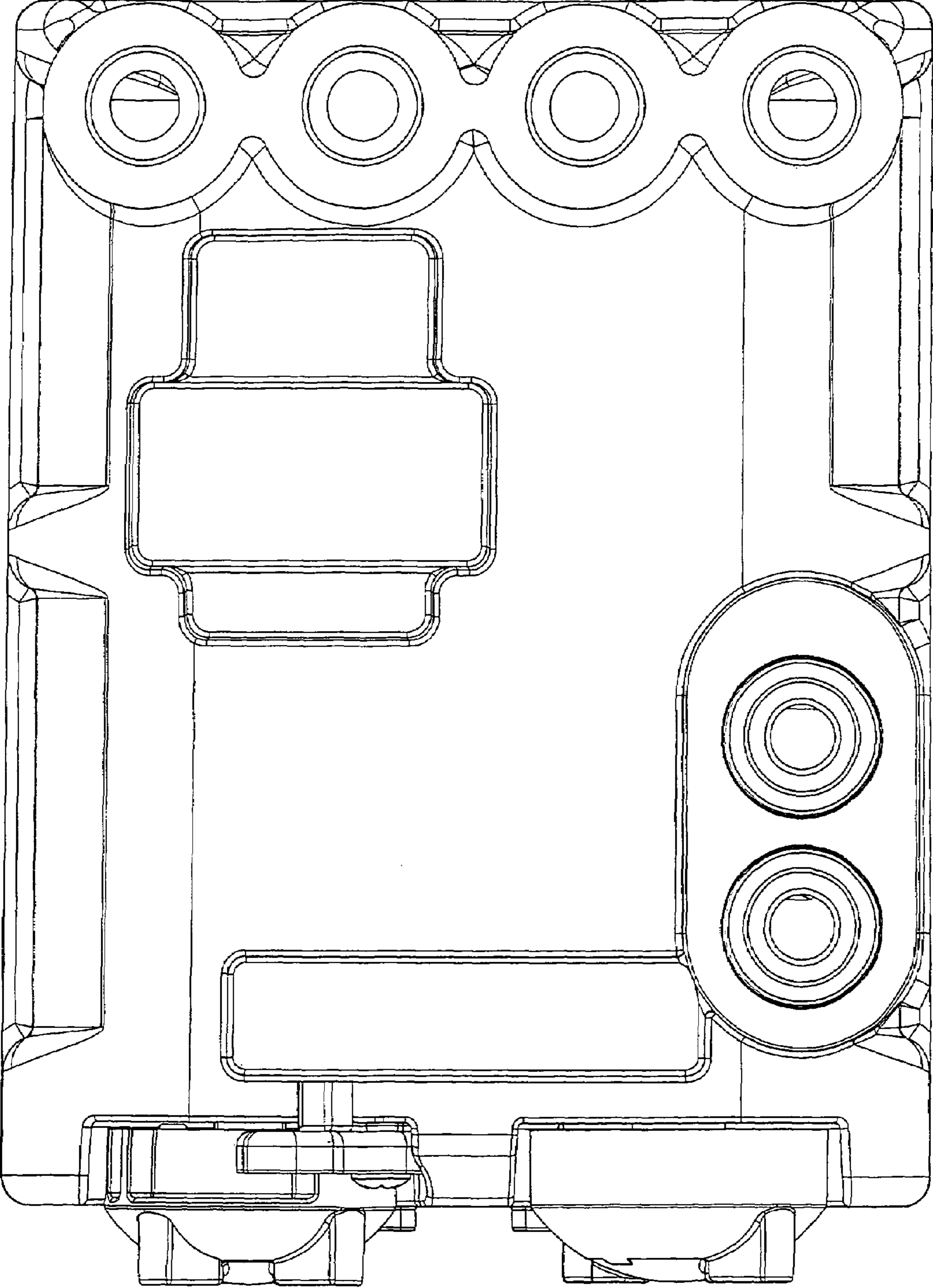


Fig. 3

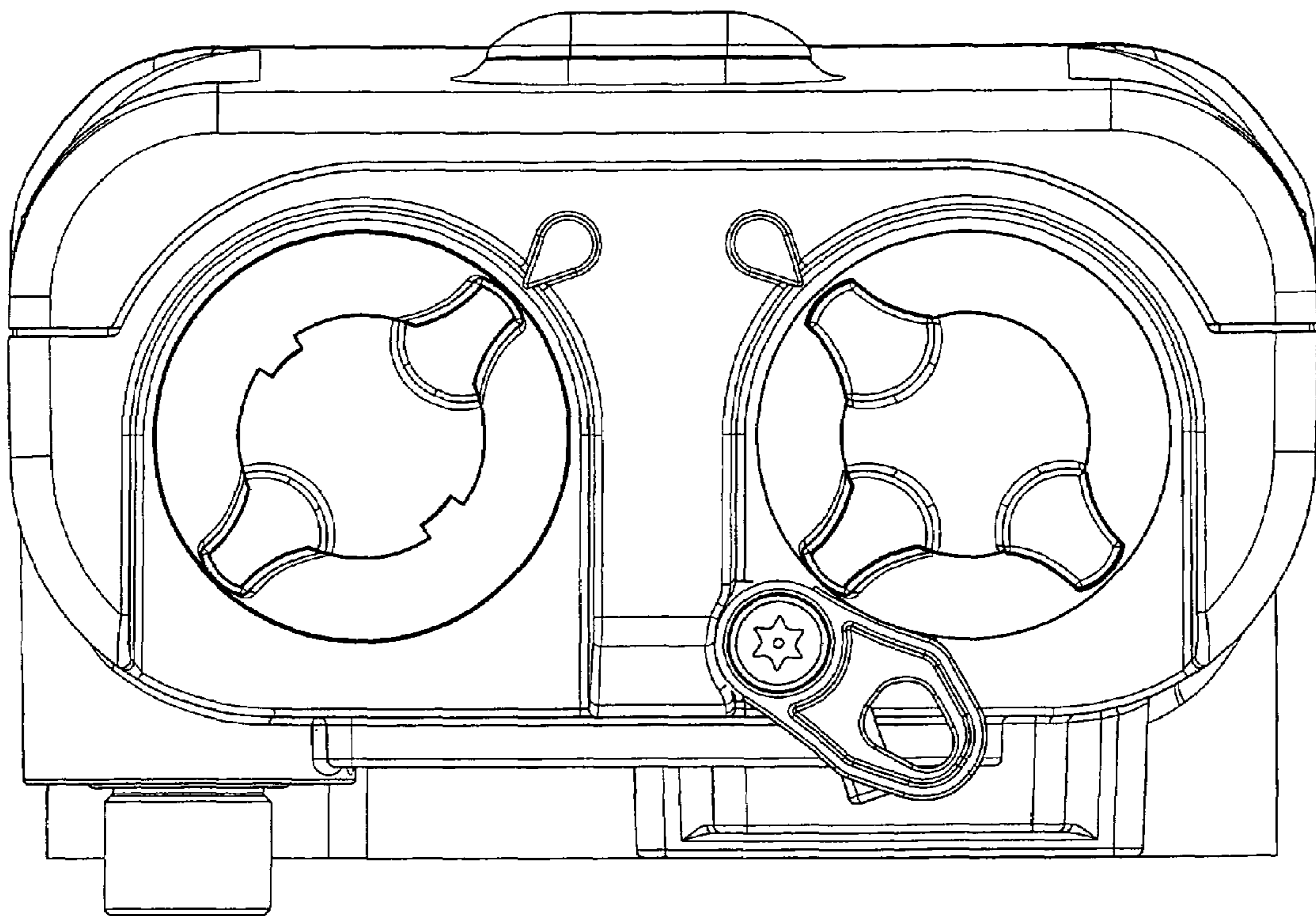


Fig. 4

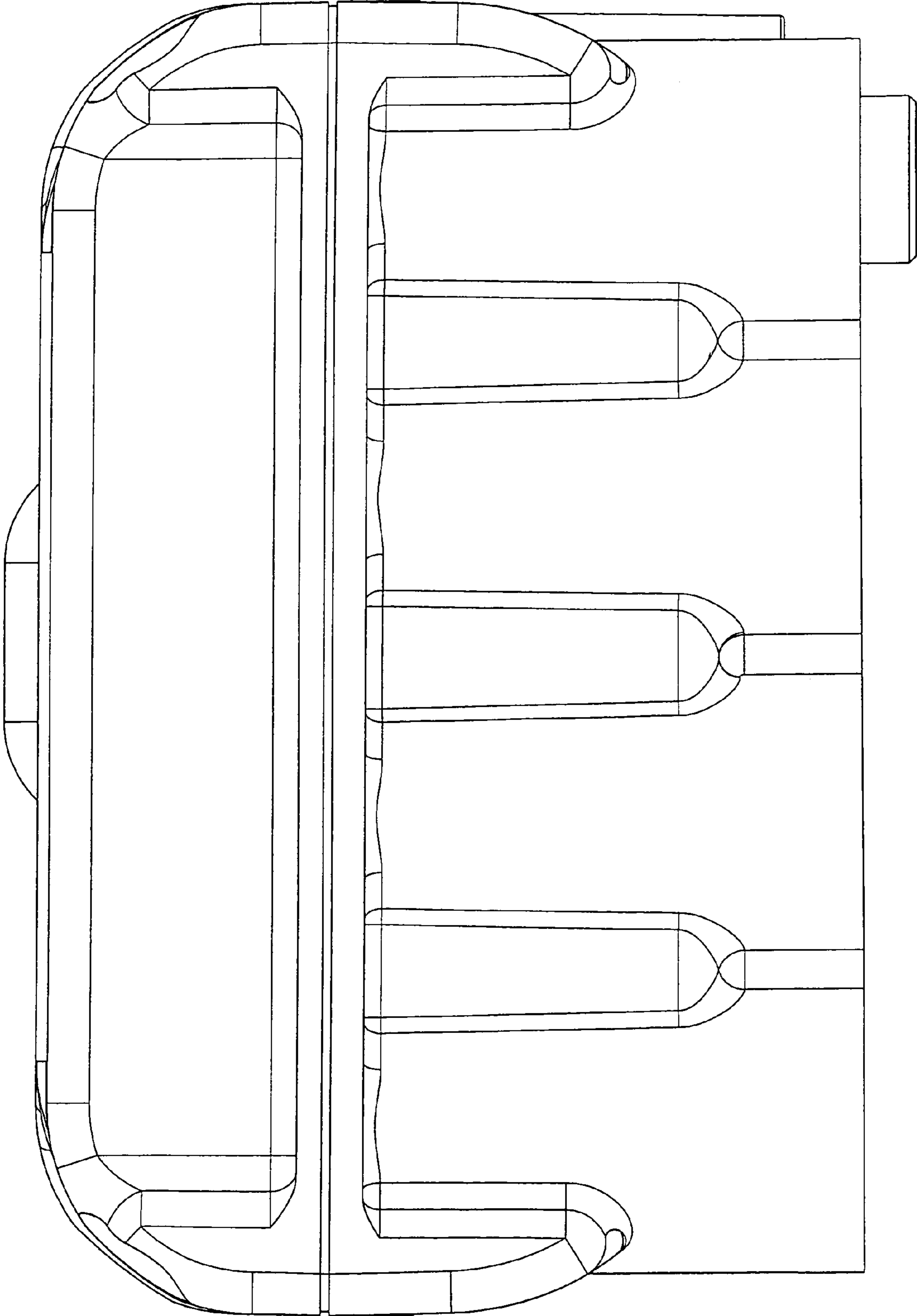


Fig. 5

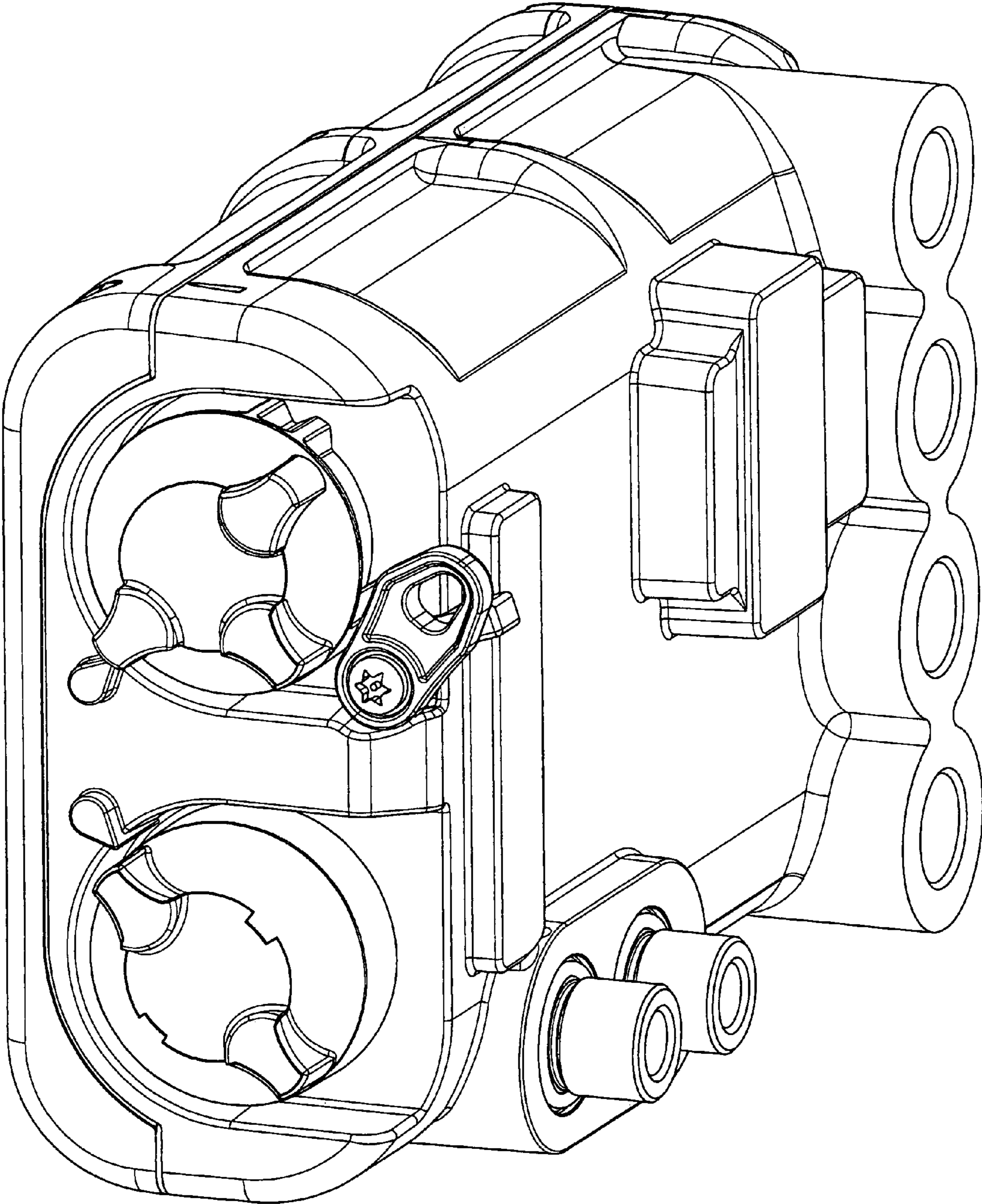


Fig. 6

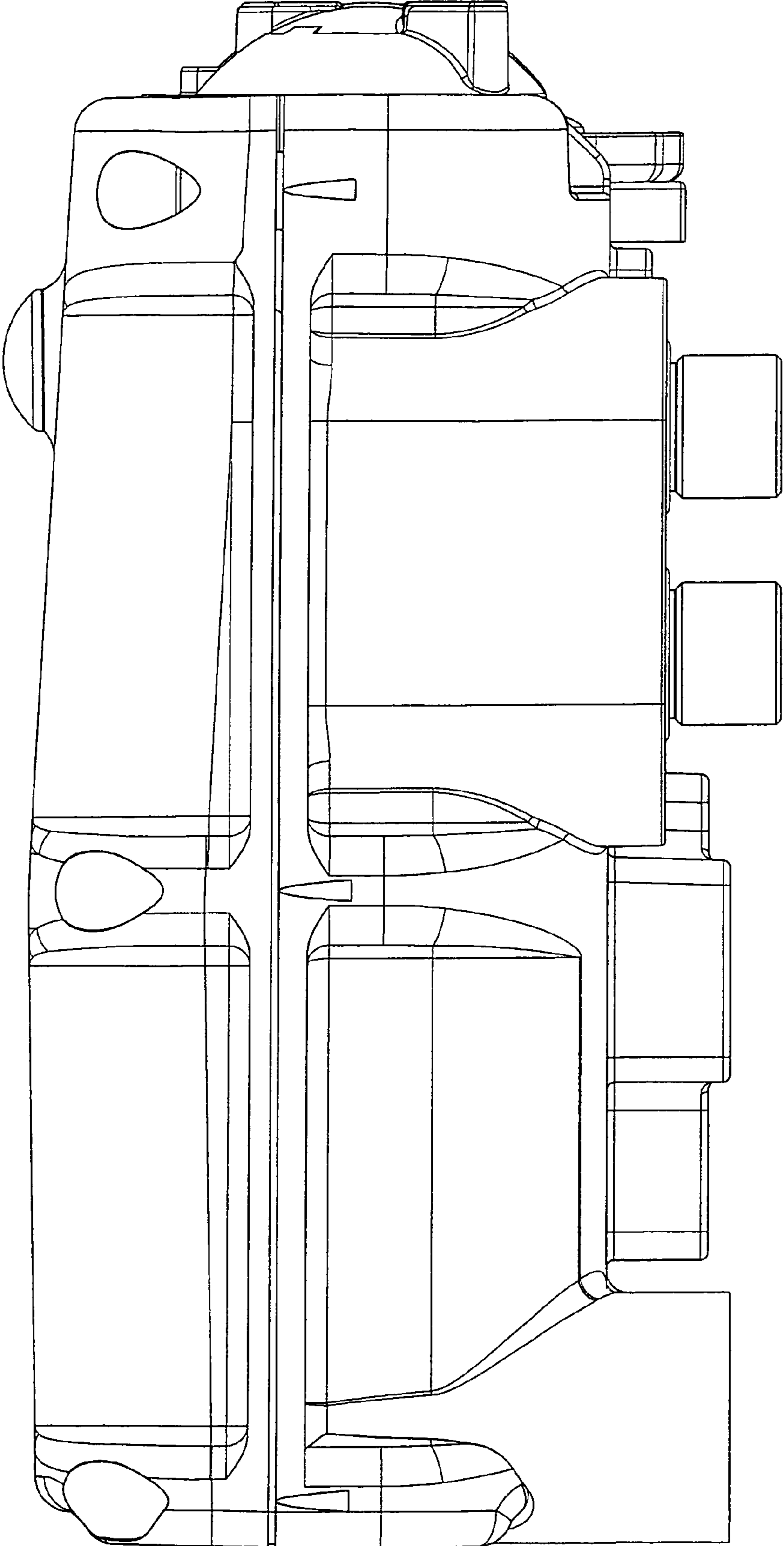


Fig. 7

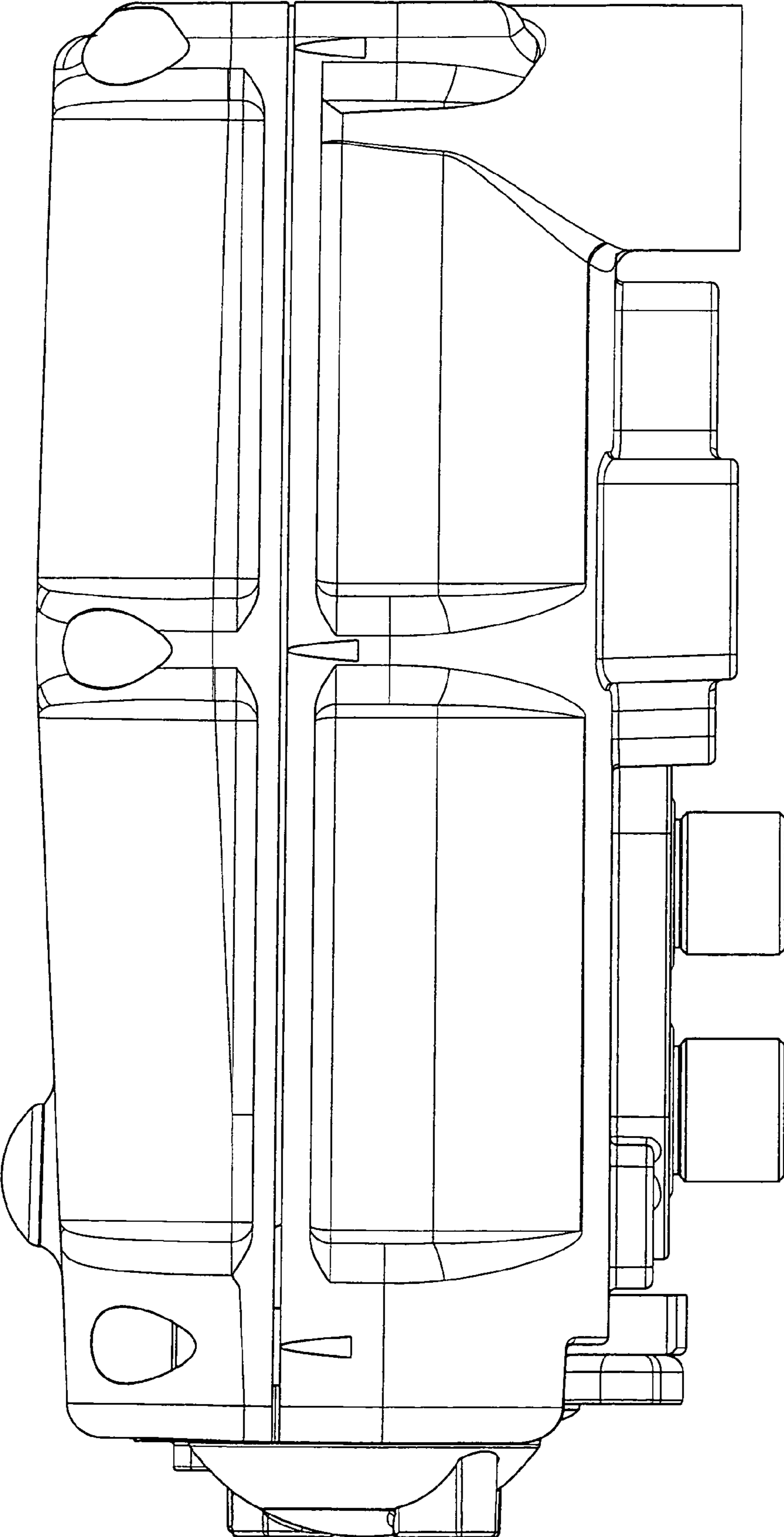


Fig. 8