



US00D587210S

(12) **United States Design Patent**
Kishi

(10) **Patent No.:** **US D587,210 S**

(45) **Date of Patent:** **** Feb. 24, 2009**

(54) **ELECTRIC CONNECTOR**

(75) Inventor: **Masanori Kishi**, Mie (JP)

(73) Assignee: **Matsushita Electric Works Co., Ltd.**,
Osaka (JP)

(**) Term: **14 Years**

(21) Appl. No.: **29/307,471**

(22) Filed: **Apr. 23, 2008**

(30) **Foreign Application Priority Data**

Oct. 24, 2007 (JP) 2007-029169

(51) **LOC (9) Cl.** **13-03**

(52) **U.S. Cl.** **D13/154**

(58) **Field of Classification Search** D13/147,
D13/154, 184; D16/200; 439/71-73, 83,
439/330-331, 607-610, 660, 680, 876, 946
See application file for complete search history.

(56) **References Cited**

U.S. PATENT DOCUMENTS

5,073,116	A *	12/1991	Beck, Jr.	439/71
D524,749	S *	7/2006	Wang et al.	D13/147
7,077,680	B1 *	7/2006	Wang et al.	439/331
D538,747	S *	3/2007	Yang	D13/147
D540,261	S *	4/2007	Yang	D13/147
D541,749	S *	5/2007	Li	D13/147
2007/0232143	A1 *	10/2007	Yang	439/607

* cited by examiner

Primary Examiner—Daniel D Bui

(74) *Attorney, Agent, or Firm*—Osha • Liang LLP

(57) **CLAIM**

The ornamental design for an electric connector, as shown and described.

DESCRIPTION

FIG. 1 is a top, front and right side perspective view of an electric connector showing my new design;

FIG. 2 is a front elevation view thereof;

FIG. 3 is a right side elevation view thereof;

FIG. 4 is a top plan view thereof;

FIG. 5 is a rear elevation view thereof;

FIG. 6 is a bottom plan view thereof;

FIG. 7 is a left side elevation view thereof;

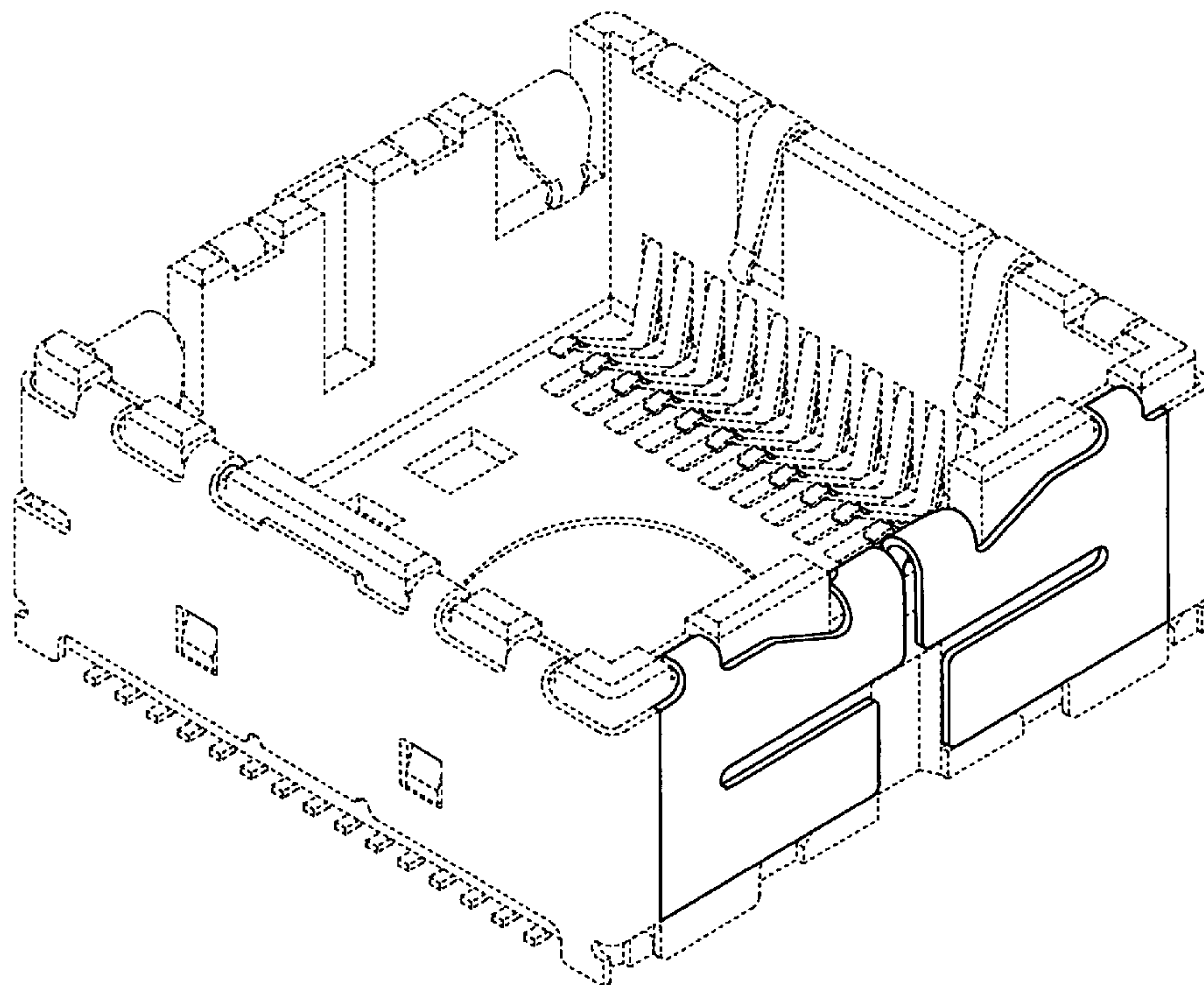
FIG. 8 is a sectional view thereof, taken along line 8—8 in FIG. 3;

FIG. 9 is a sectional view thereof, taken along line 9—9 in FIG. 3; and,

FIG. 10 is a sectional view thereof, taken along line 10—10 in FIG. 4.

The broken line portion of the figure drawings is included to show unclaimed subject matter only and forms no part of the claimed design.

1 Claim, 6 Drawing Sheets



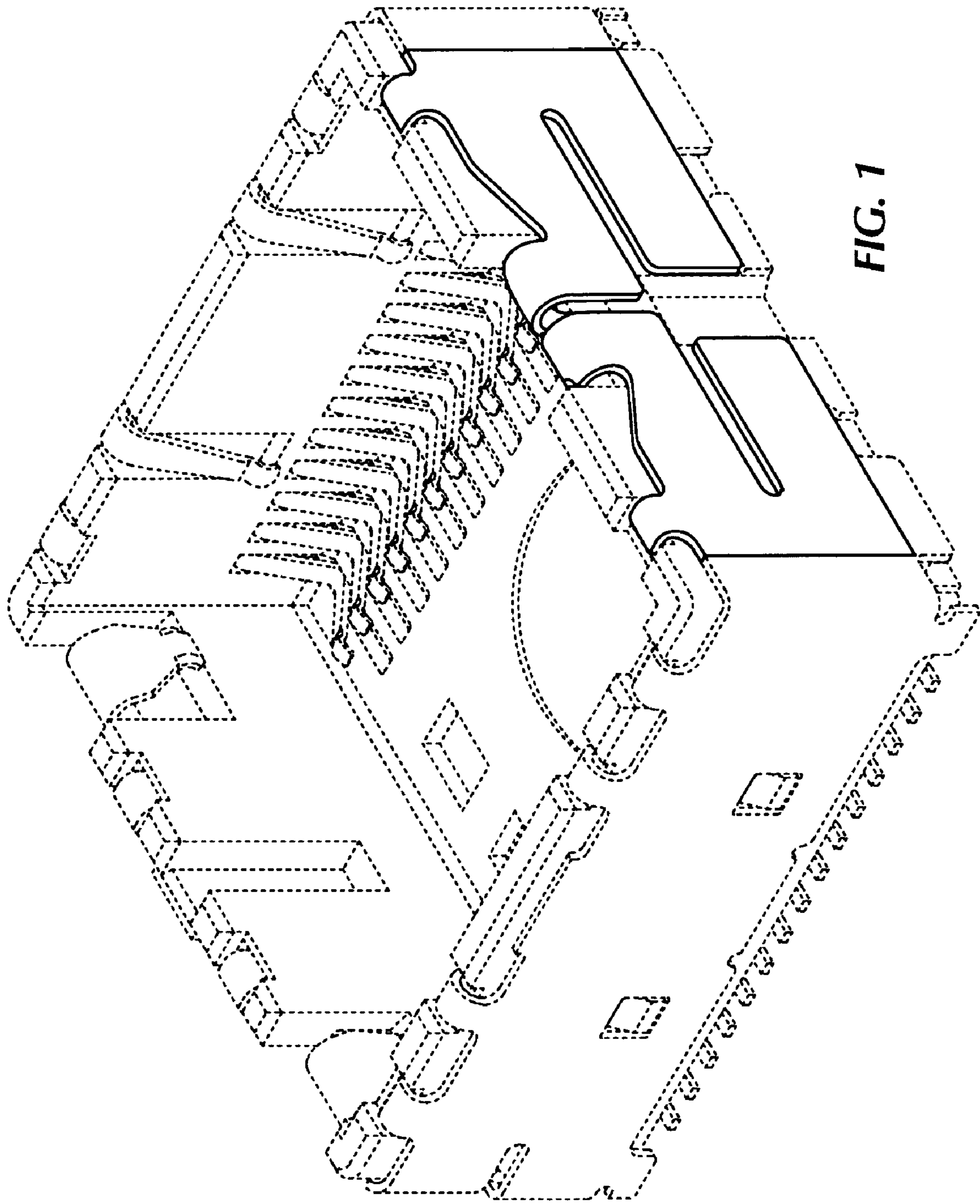


FIG. 1

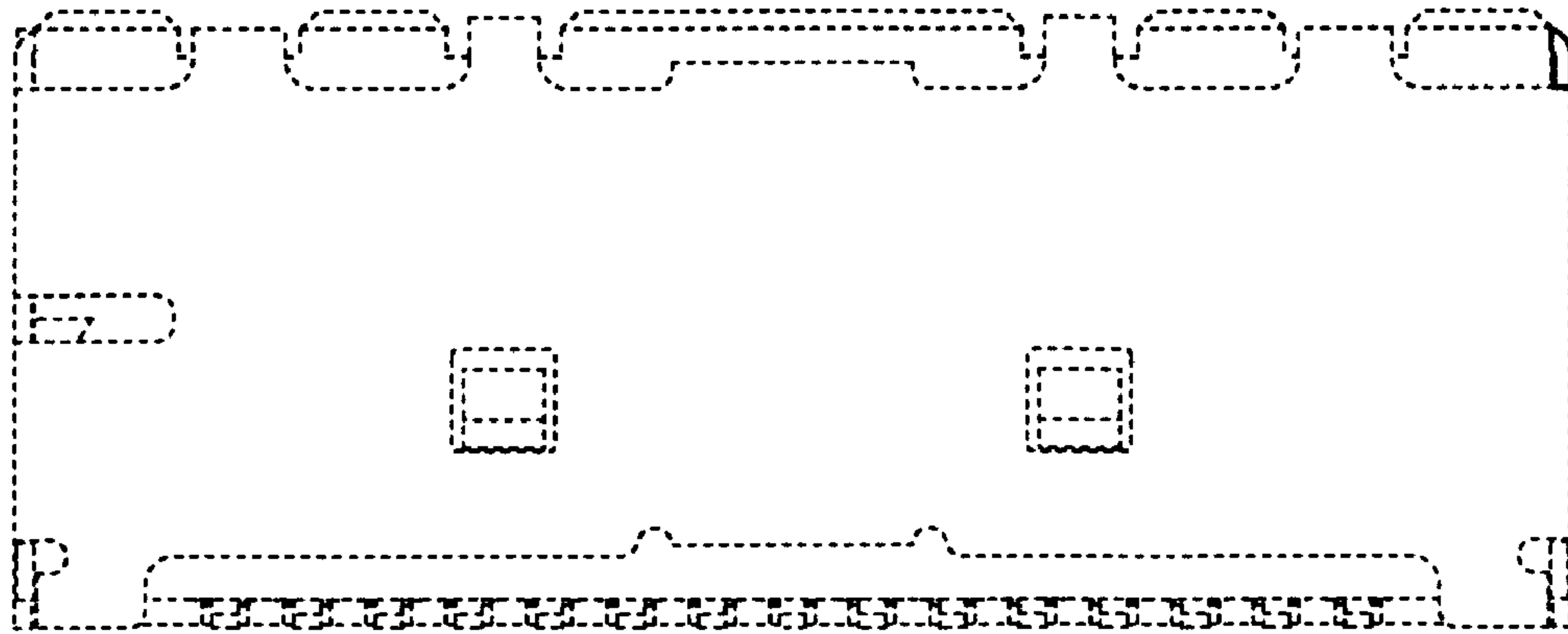


FIG. 2

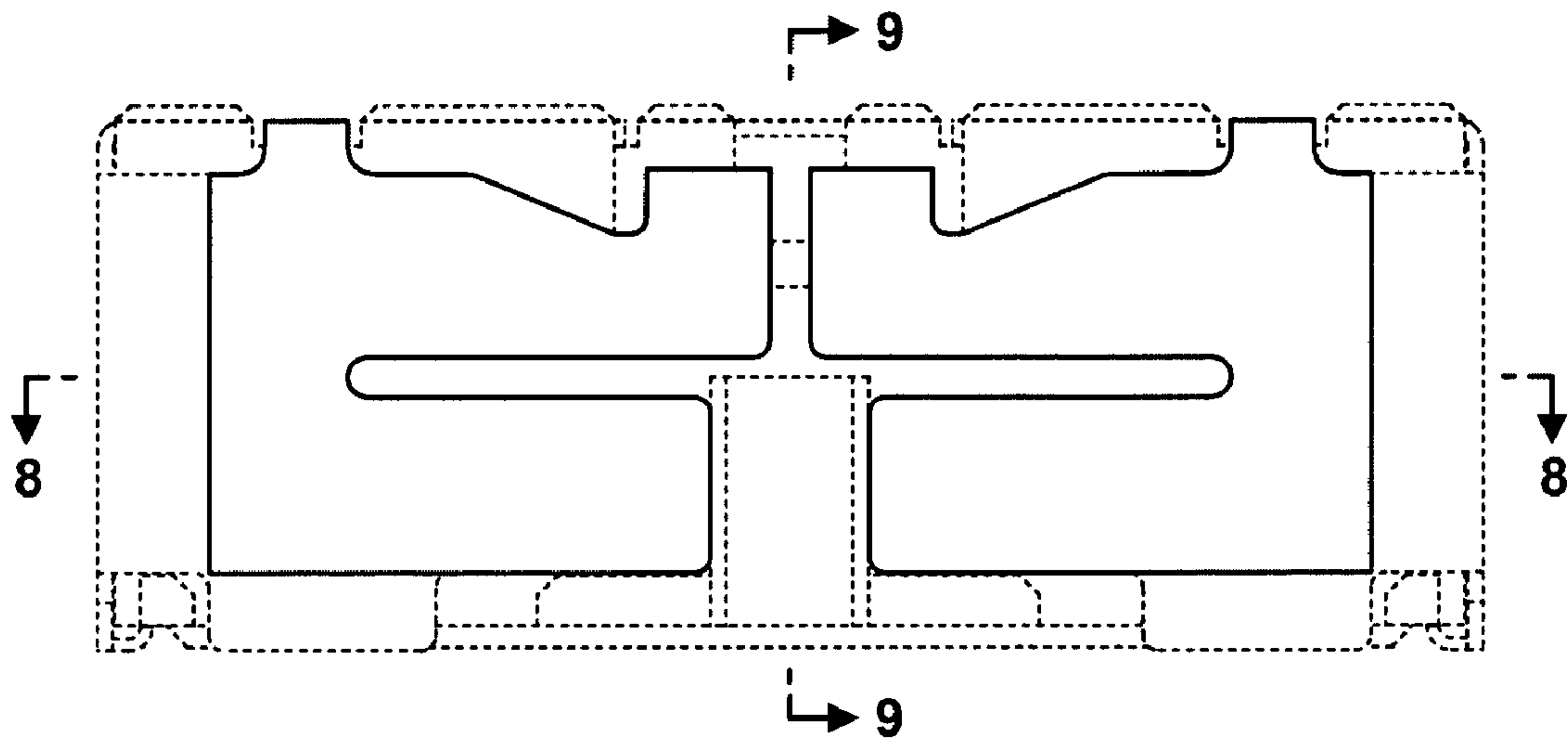


FIG. 3

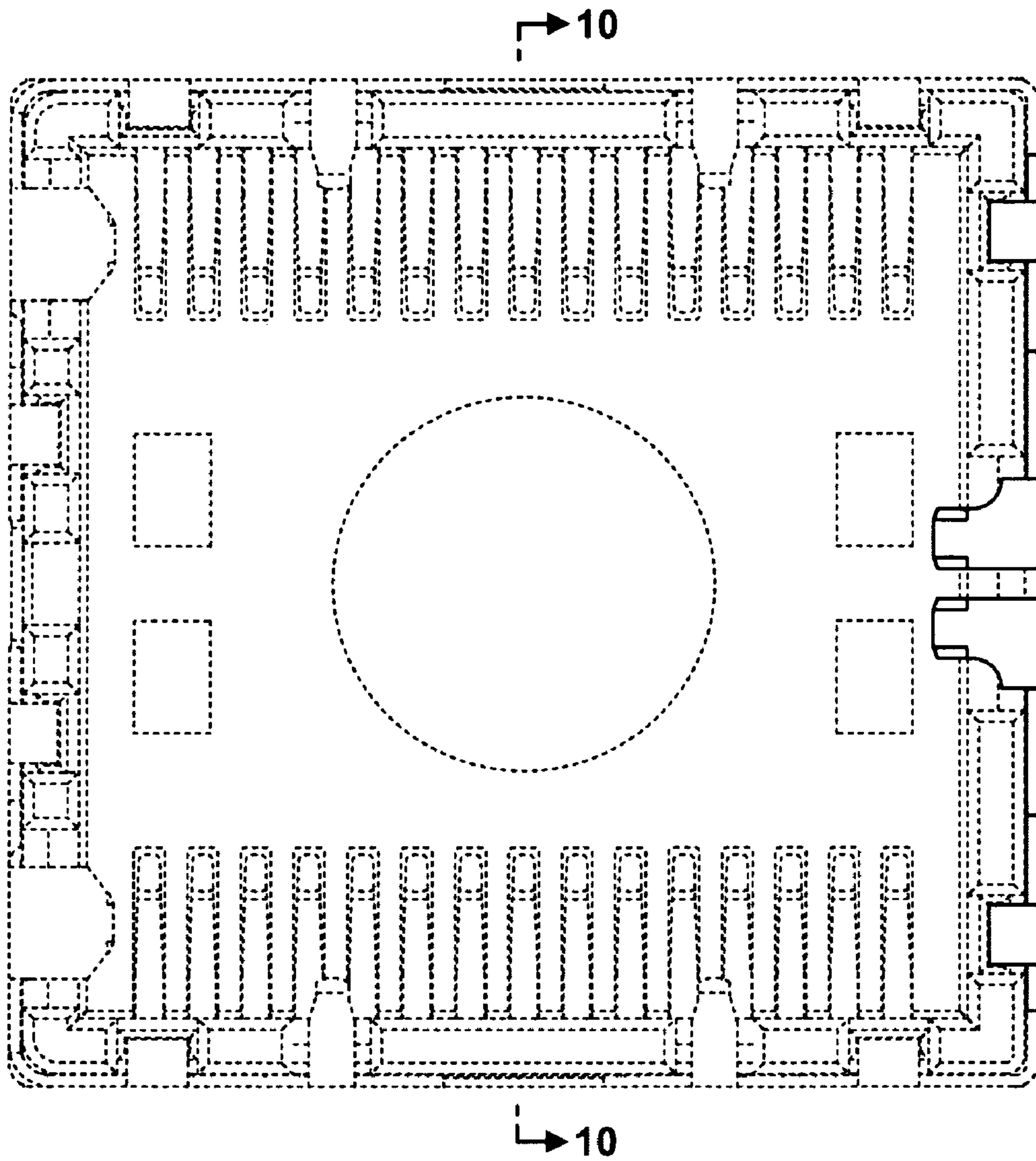


FIG. 4

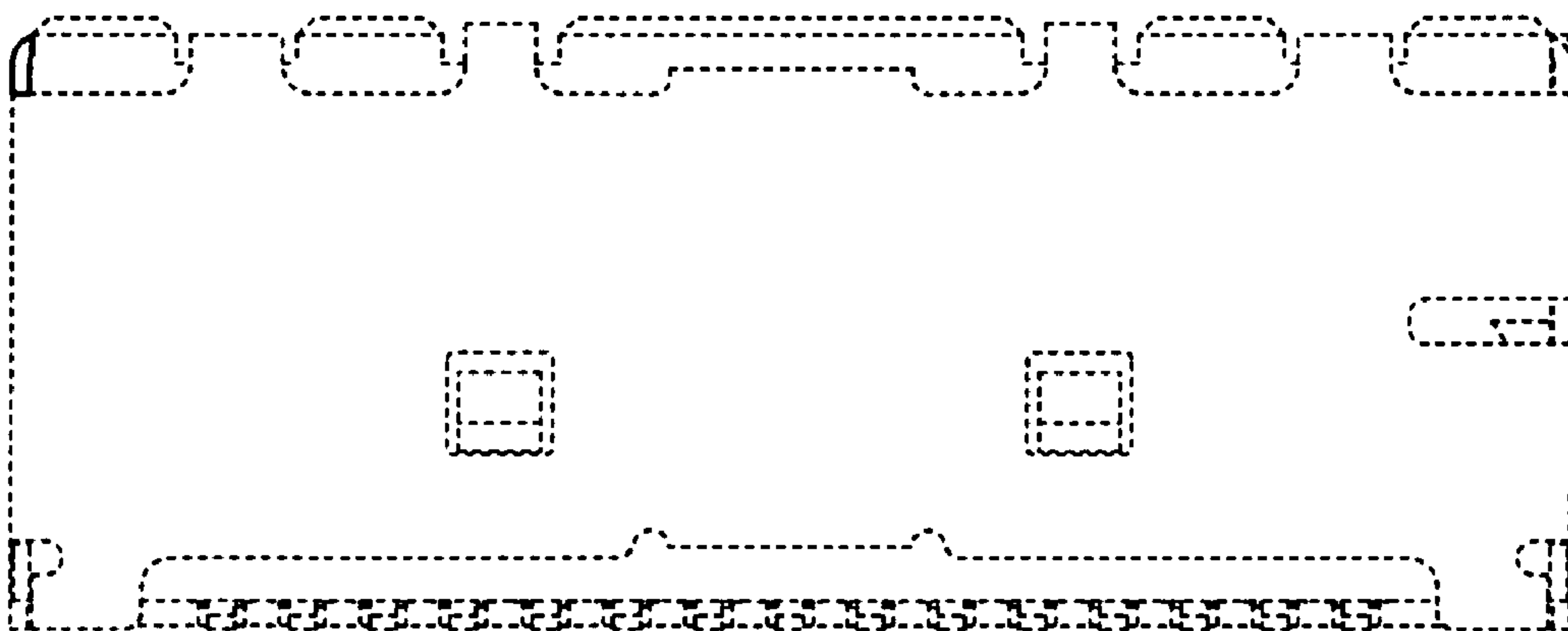


FIG. 5

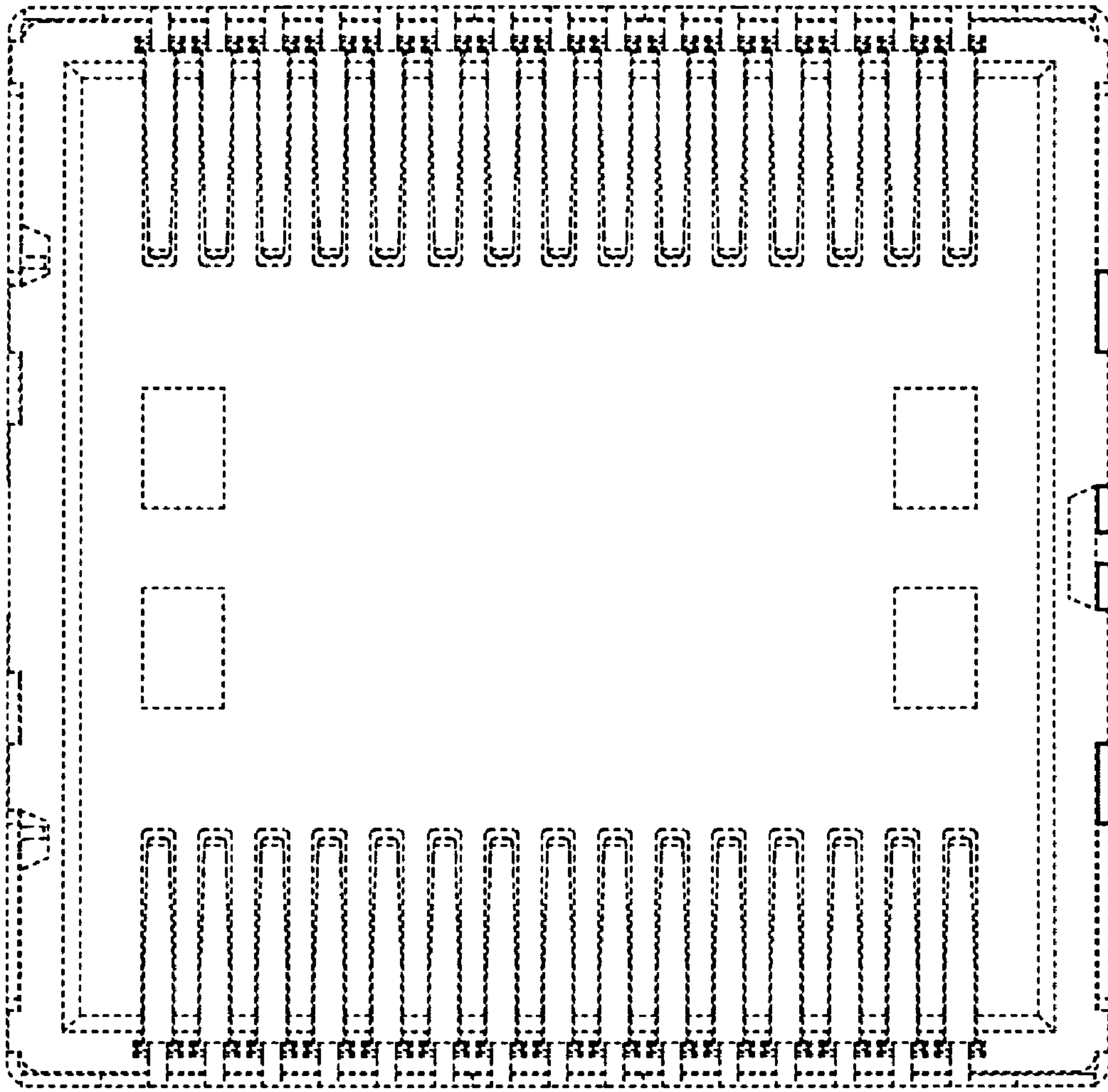


FIG. 6

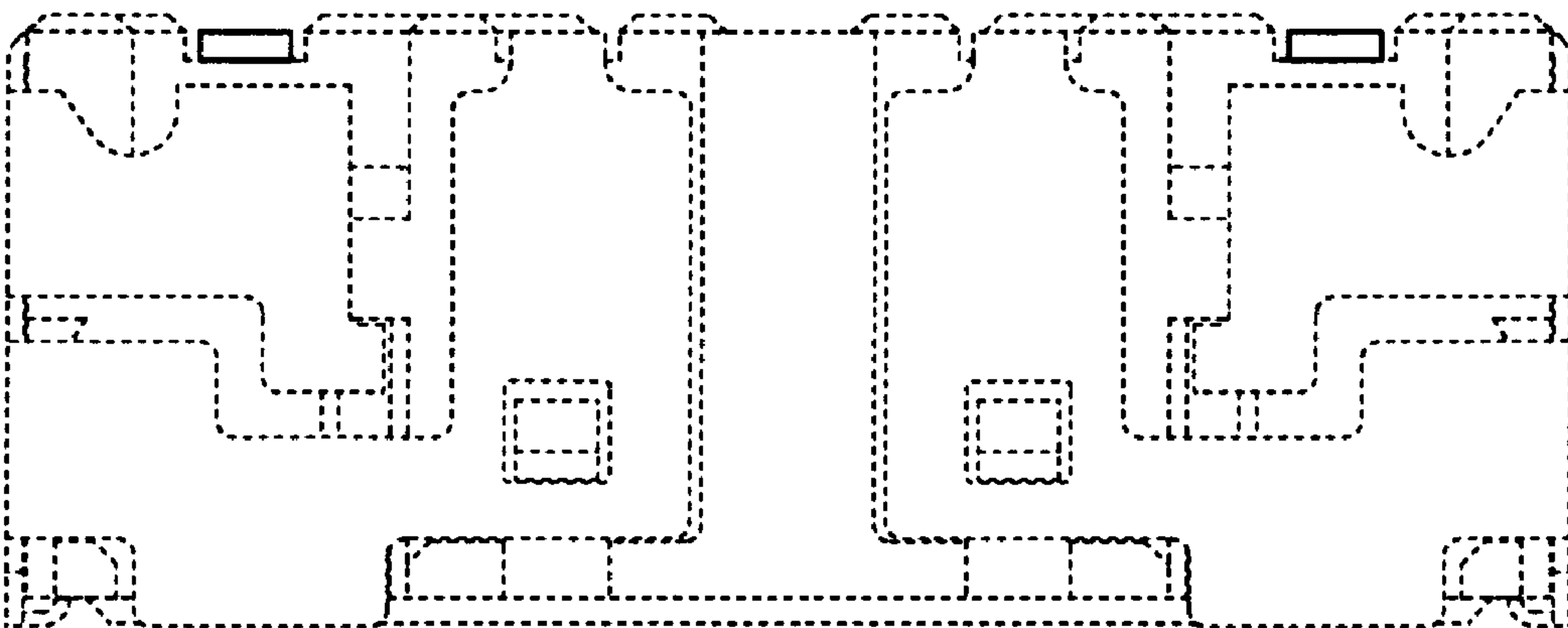


FIG. 7

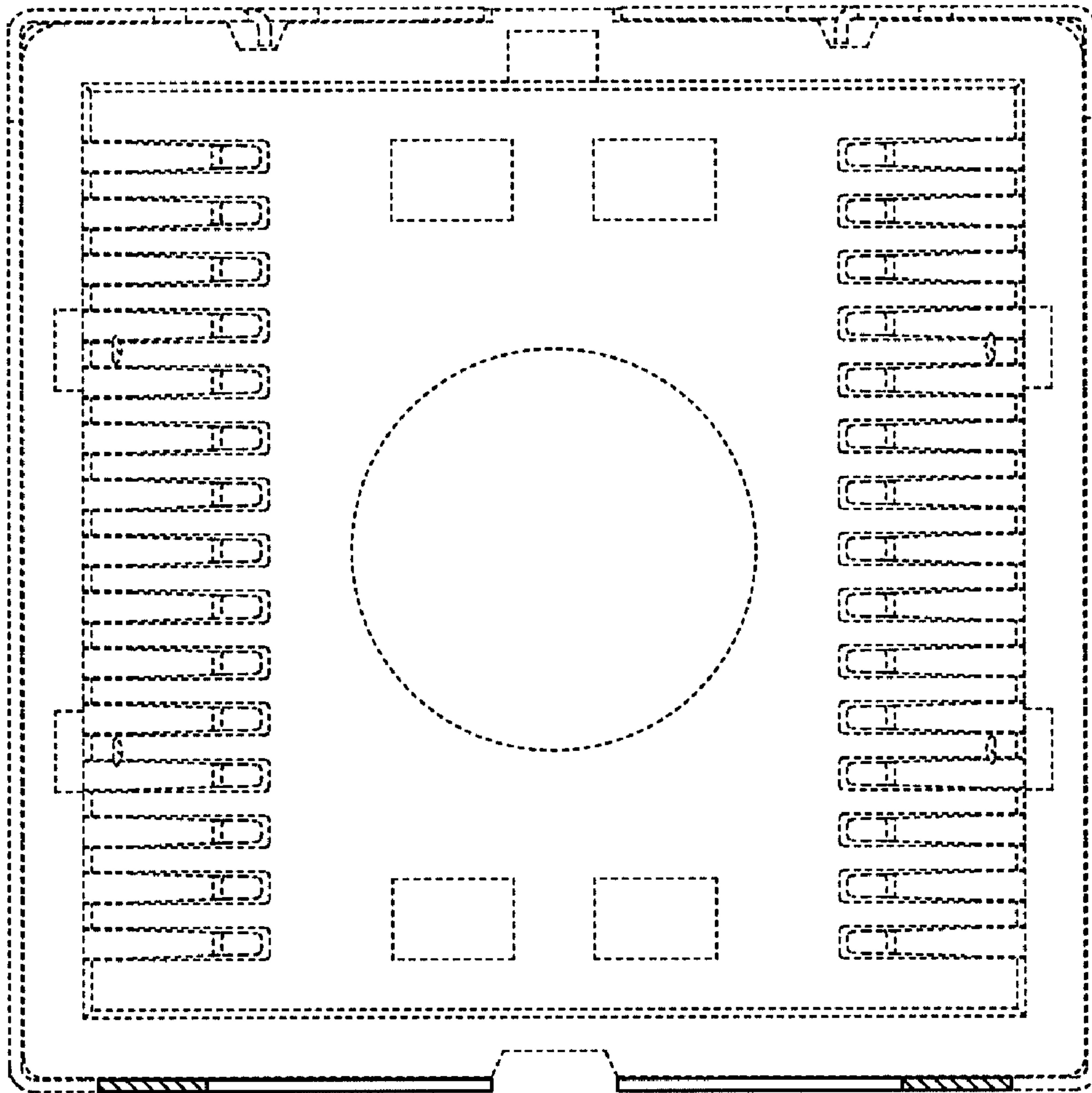


FIG. 8

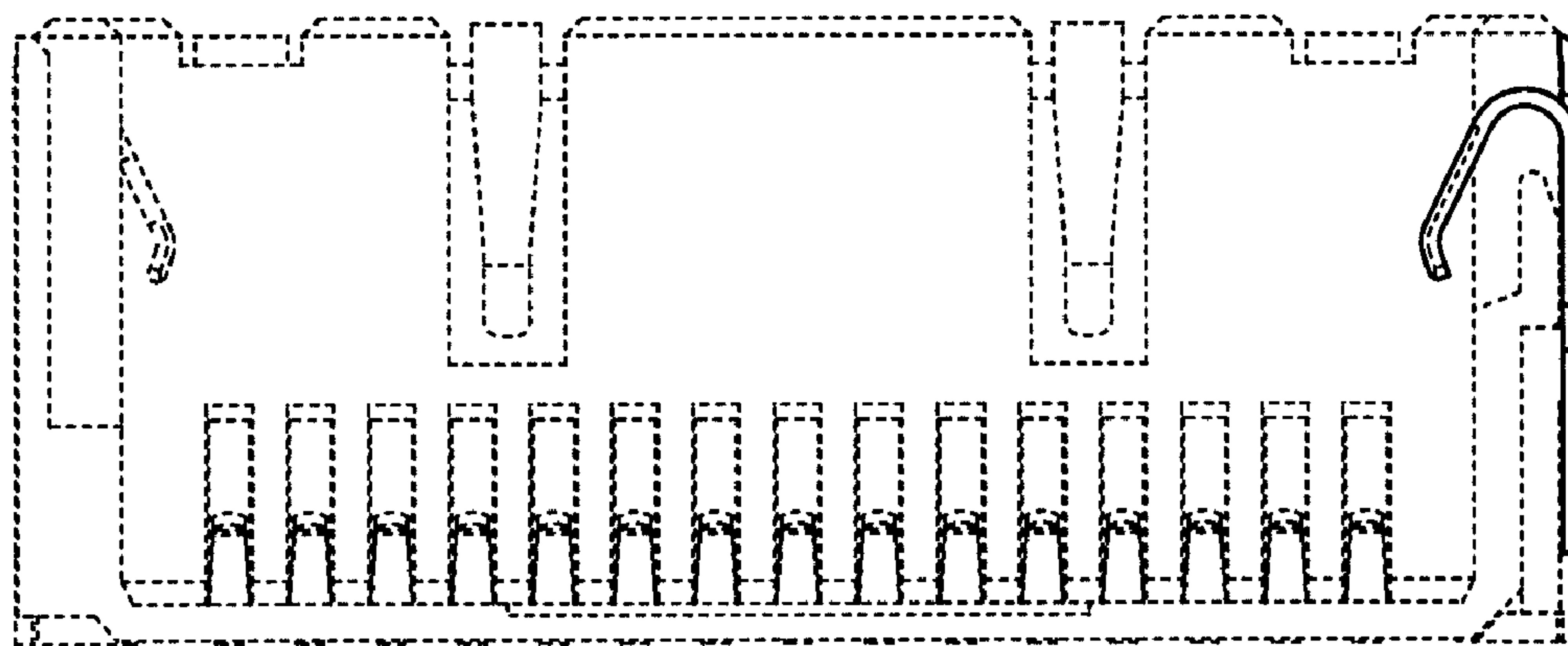


FIG. 9

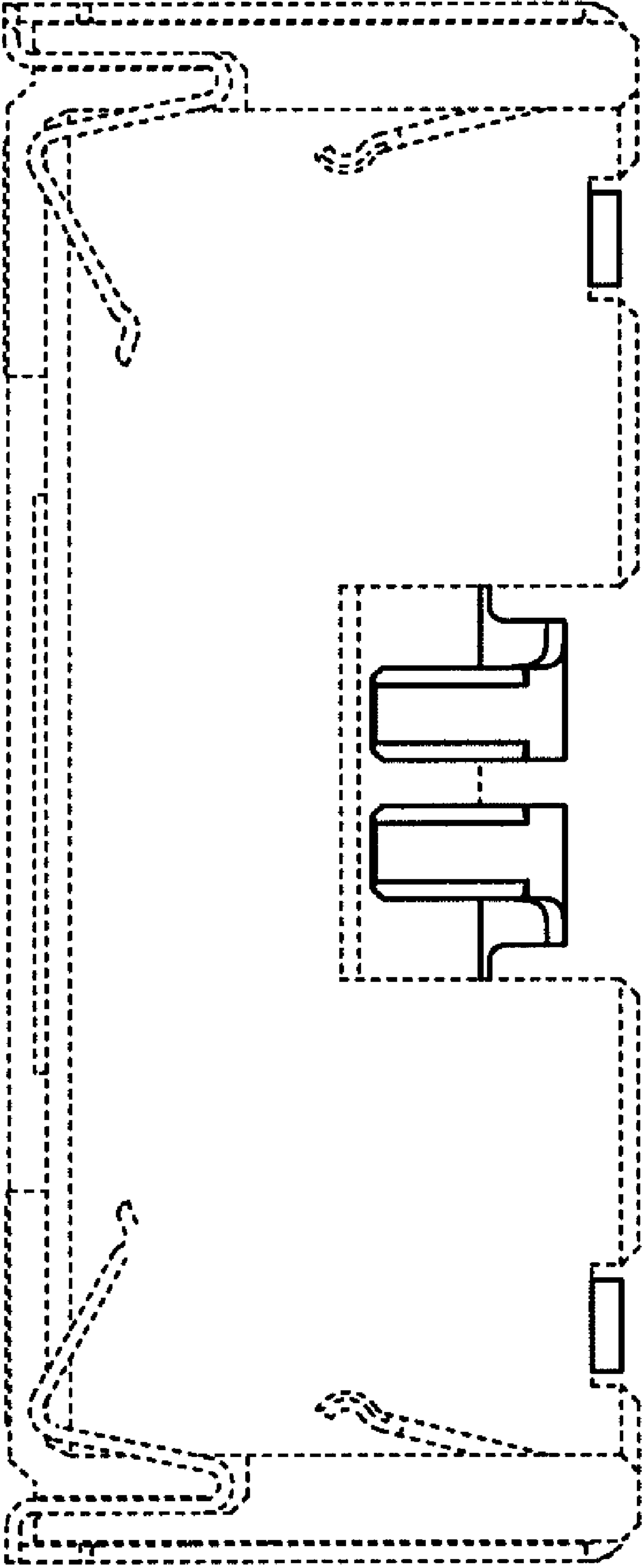


FIG. 10

UNITED STATES PATENT AND TRADEMARK OFFICE
CERTIFICATE OF CORRECTION

PATENT NO. : Des. 587,210 S
APPLICATION NO. : 29/307471
DATED : February 24, 2009
INVENTOR(S) : Masanori Kishi

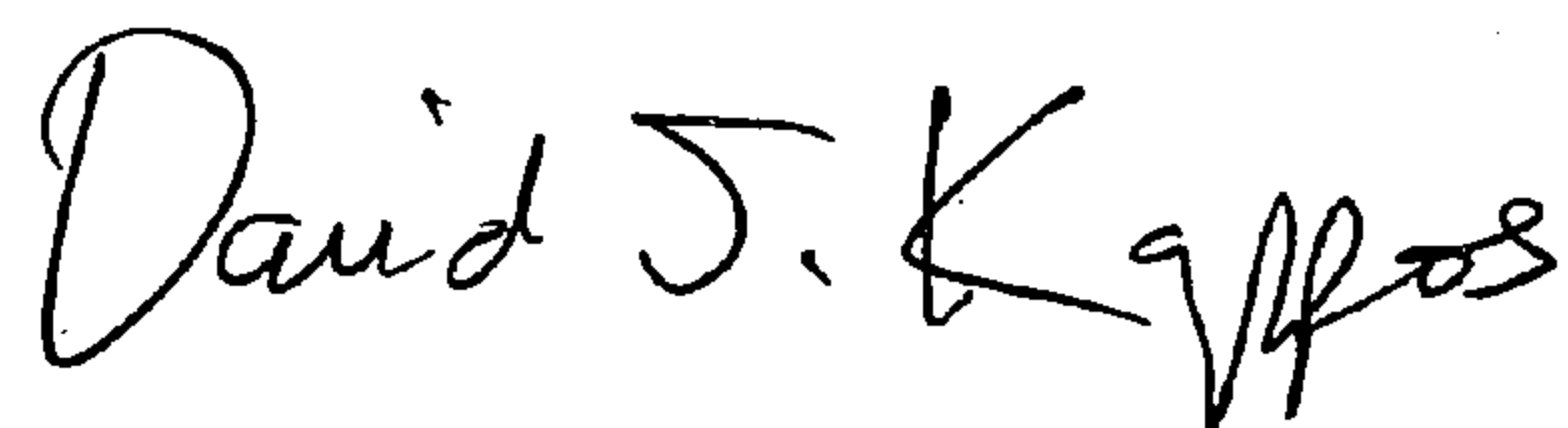
Page 1 of 1

It is certified that error appears in the above-identified patent and that said Letters Patent is hereby corrected as shown below:

On the Cover Page of the patent under item 73, Assignee, please replace
“Matsushita Electric Works, Ltd.” with --**Panasonic Electric Works Co., Ltd.**--.

Signed and Sealed this

Twenty-eighth Day of September, 2010

A handwritten signature in black ink that reads "David J. Kappos". The signature is written in a cursive, flowing style.

David J. Kappos
Director of the United States Patent and Trademark Office